
PARTS CATALOGUE



KH500-A8

INDEX

EI	PARTS LIST INTRODUCTION.....	5
E1	CYLINDER HEAD, CYLINDER.....	6
E2	CRANKCASE.....	8
E3	PISTON, CRANKSHAFT.....	10
E4	CLUTCH.....	12
E5	TRANSMISSION GEARS.....	14
E6	GEAR CHANGE MECHANISM.....	18
E7	KICKSTARTER MECHANISM.....	20
E8	ENGINE COVERS.....	22
E9	ELECTRICAL EQUIPMENT FOR ENGINE.....	24
E10	AIR CLEANER, MUFFLERS.....	26
E11	CARBURETORS.....	28
E12	OIL PUMP.....	30
E13	FRAME.....	32
E14	SWINGING ARM, REAR SHOCK ABSORBER.....	36
E15	FOOTRESTS, STANDS, BRAKE PEDAL.....	38
E16	HANDLEBAR, GRIPS.....	40
E17	FRONT FORK.....	42
E18	FENDERS.....	46
E19	TIRES, RIMS.....	48
E20	DISC BRAKE EQUIPMENT A.....	50
E21	DISC BRAKE EQUIPMENT B.....	52
E22	FRONT HUB.....	54
E23	REAR HUB.....	56
E24	FUEL TANK.....	58
E25	OIL TANK, SIDE COVER, CHAIN COVER, CHAIN.....	60
E26	DUAL SEAT.....	62
E27	CABLES.....	66
E28	ELECTRICAL EQUIPMENT A.....	68
E29	ELECTRICAL EQUIPMENT B.....	72
E30	ELECTRICAL EQUIPMENT C.....	74
E31	ELECTRICAL EQUIPMENT D.....	76
E32	TOOLS, OPTIONAL PARTS.....	78
ES	PARTS LIST SUMMARY.....	81

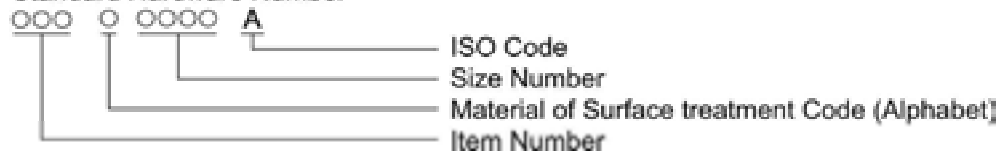
This parts catalogue lists parts and sub-assemblies provided as spare parts for the KAWASAKI KH500-A8. When it becomes necessary to replace parts, always use KAWASAKI GENUIN PARTS which have passed strict inspection which guaranties quality and performance.

1. COMPOSITION OF THE PART NUMBER

1.1 Part Number



1.2 Standard Hardware Number



2. ABBREVIATIONS

1. WHN EXH USE P/No. _____
Abbreviated from the phrase "When exhausted, use P/No. _____" which indicates that the new parts be used for re placement, but old parts in stock may be used until exhausted.
2. USE P/No. _____ UNTL EXH
Abbreviated from the phrase "Use P/No. _____ until exhausted" which indicates old part can be used replacement until supplies are exhausted.
3. E/No. _____ and Below. E/No. _____ and Above.
These are applied to the part requested to use only for engines having the serial number ____ and below (or above).
4. "AR" indicates the part is to be used "as required" It used mainly for bulk items such as liquid gasket.
5. "ALT" indicates the part may be used as "alternate", if another part called for that location is not available.
6.

STD	Standard	T	Teeth	t	Thickness
Ass'y	Assembly	PR	Ply Rating	N.P.	Not Procurable
Ref.	Reference	Hex.	Hexagonal	I.D.	Inside Diameter
L.H.	Left Hand	L	Length	O.D.	Outside Diameter
R.H.	Right Hand	d	Diameter	A.R.	As Required
ALT.	Alternate	N.A.	Not Available	C.A.	Cut Away
				W	Width

3. HOW TO ORDER PARTS

Always without fail include three items exactly as listed in this Part Catalogue in your parts order.

1. type and model of motorcycle
2. Color Code
Specify the color using color code and name without fail for ordering of painted parts.
Example: 51001-108-3T TANK, fuel Deep Burgundy
3. Part Name
Part not shown disassembled in the illustrations of this Parts Catalogue are not sold separately; only the complete units or next higher assemblies illustrated, are supplied as spare parts. Please be advised to order the parts in typescript instead of hand-writing to avoid the mistake expected.

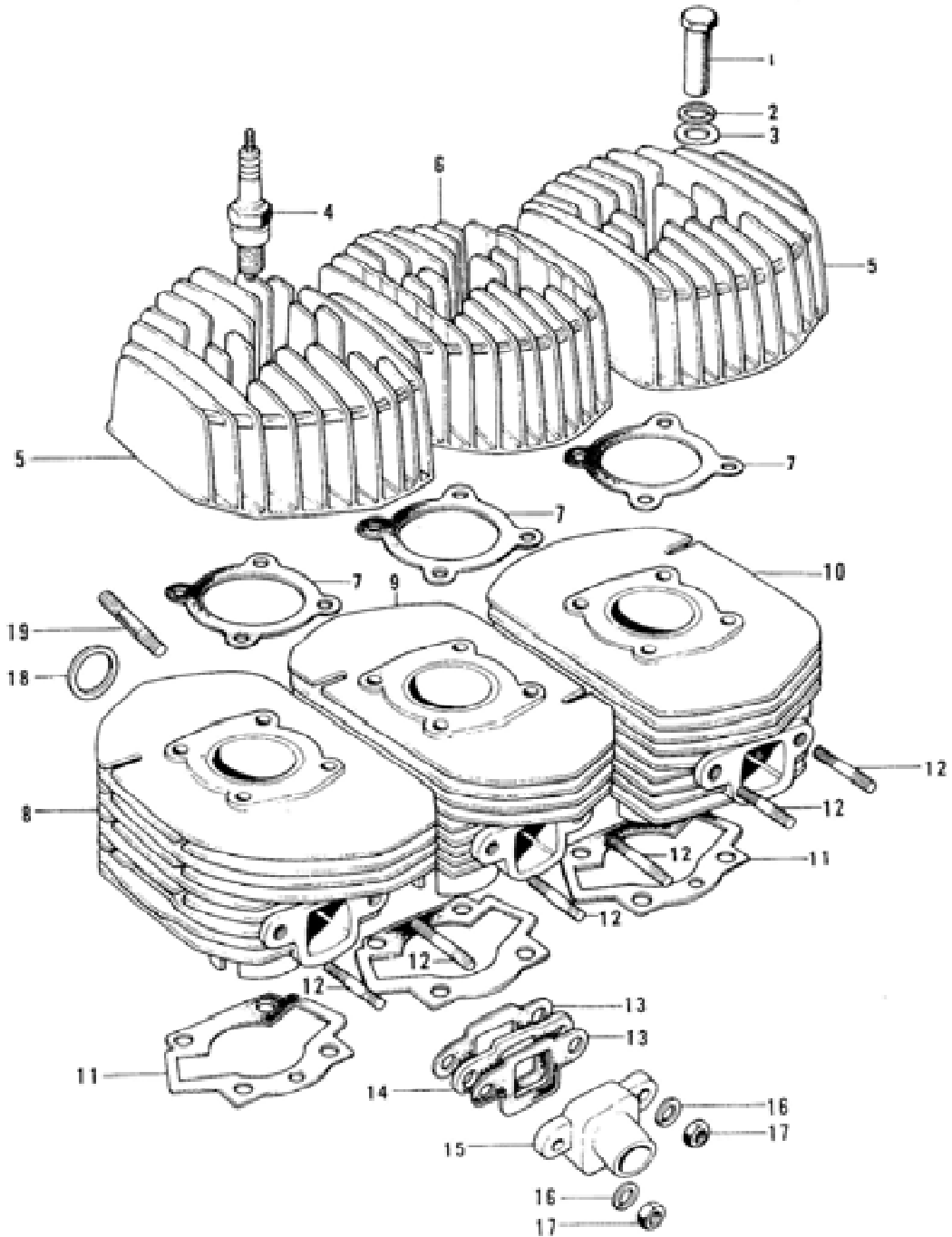
KAWASAKI HEAVY INDUSTRIES, LTD.

ENGINE AND MOTORCYCLE GROUP

1-1, Kawasaki-cho, Akashi, Hyogo Pref. Japan

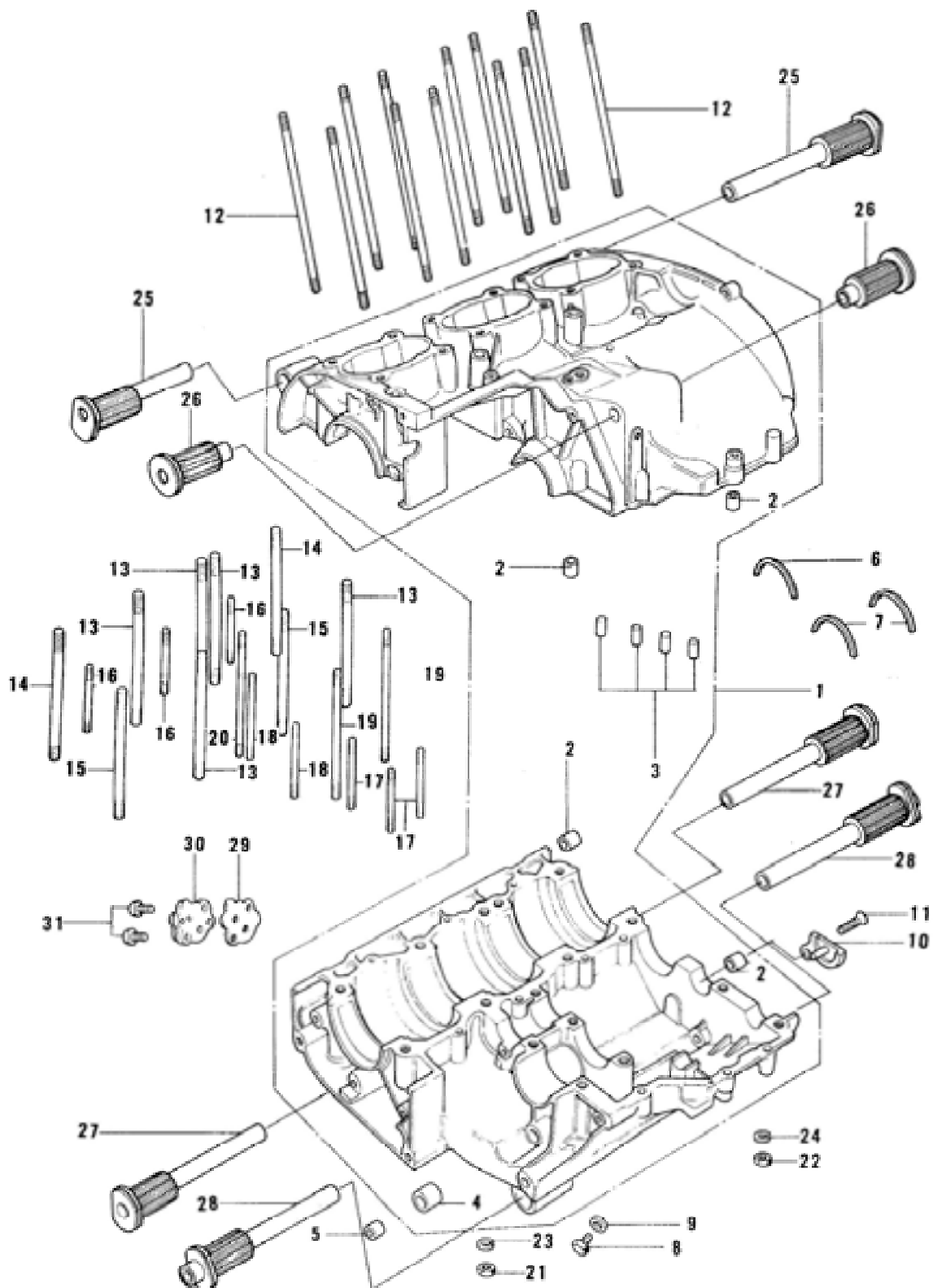
No. 99997-670 ©

30. Aug. 1975

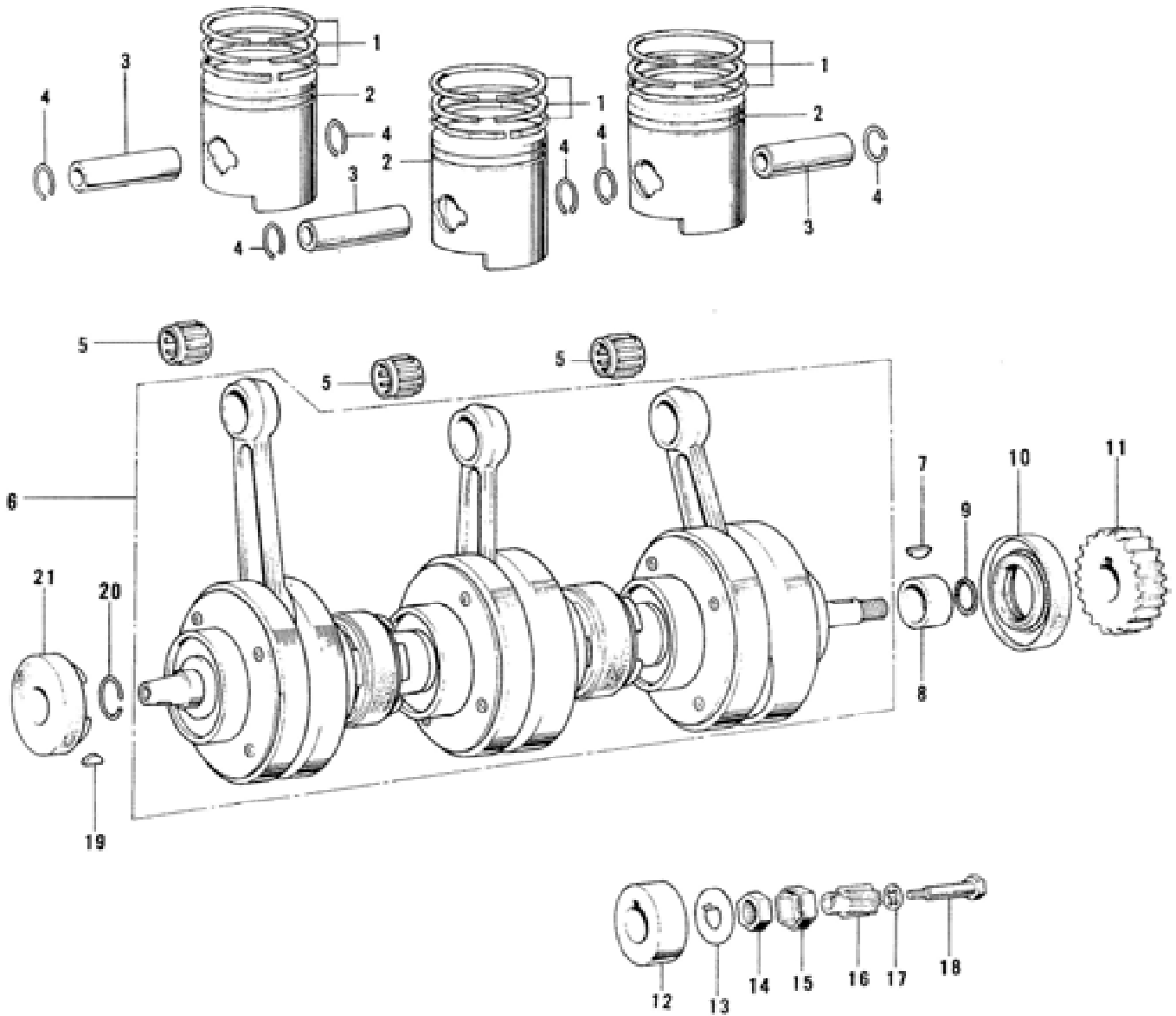


CYLINDER HEAD, CYLINDER

Ref No.	Part No.	Part Name	Quantity	Remarks
1	92015-020	NUT, 8 mm	12	
2	460E1200	WASHER, spring, 12 mm	12	
3	92022-072	WASHER, plain, 12 mm	12	
4	92070-036	SPARK PLUG, NGK B-9HS	3	
5	11001-098-2H	CYLINDER HEAD, L.H. & R.H.	2	Barrel
6	11001-099-2H	CYLINDER HEAD, CENTER	1	Barrel
7	11004-048	GASKET, cylinder head	3	
8	11005-122-2H	CYLINDER, L.H.	1	Barrel
9	11005-123-2H	CYLINDER, CENTER	1	Barrel
10	11005-124-2H	CYLINDER, R.H.	1	Barrel
11	11009-019	GASKET, cylinder base	3	
12	172G0820	STUD, 8 x 20	6	
13	16062-011	GASKET, air inlet	6	
14	16061-010	INSULATOR, heat	3	
15	16060-009	INLET PIPE	3	
16	460E0800	WASHER, spring, 8 mm	6	
17	316B0800	NUT, 8 mm	6	
18	18067-013	GASKET, exhaust pipe	3	
19	172G0825	STUD, 8 x 25	6	

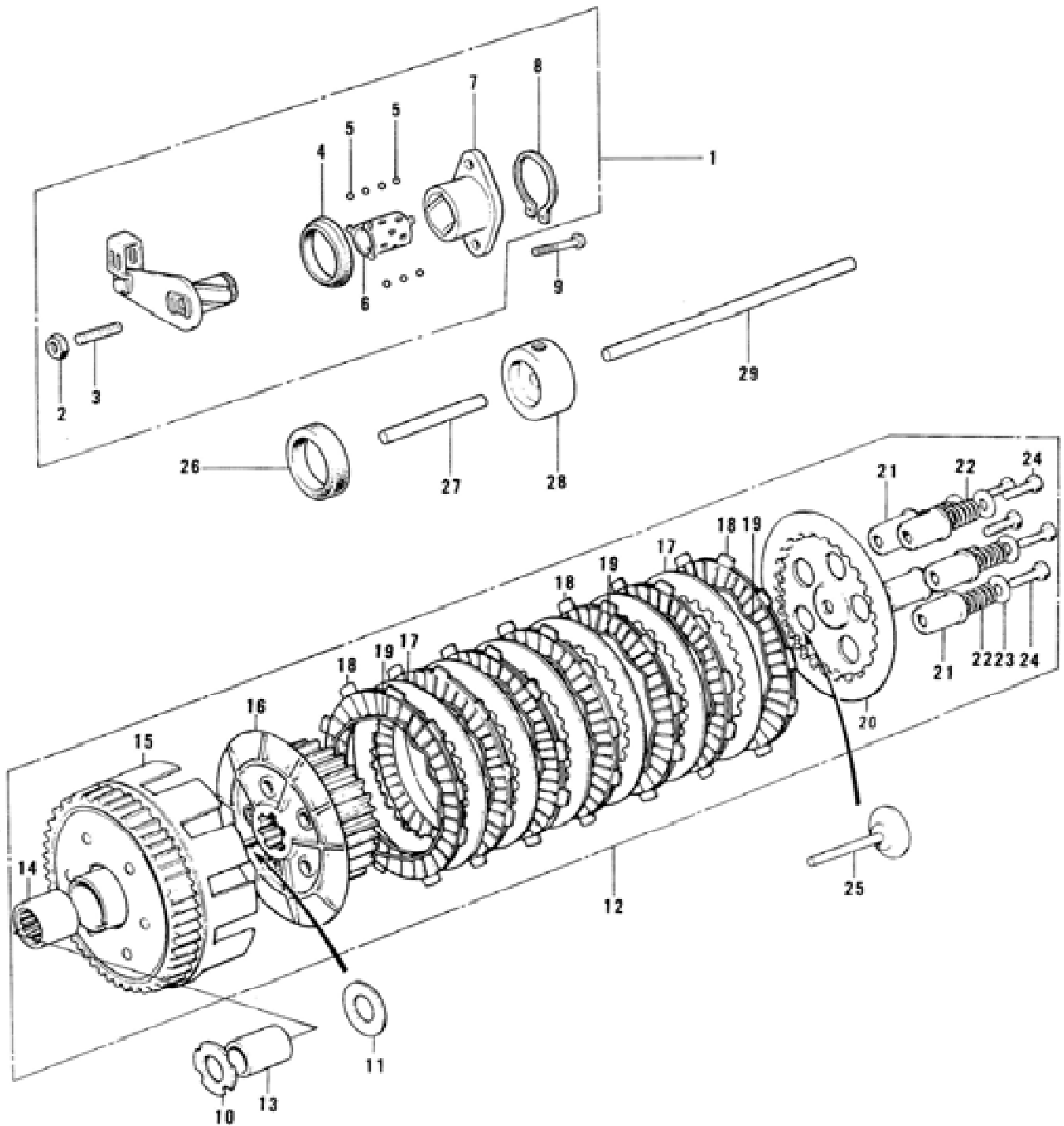


Ref No.	Part No.	Part Name	Quantity	Remarks
1	14001-078	CRANKCASE SET	1	
2	552AI014	PIN, dowel, 10 x 14	4	
3	92042-016	PIN, dowel, 6 mm	4	
4	92028-071	BUSHING, change pedal shaft	1	
5	92049-004	OIL SEAL, SB12205	1	
6	14013-001	RING, positioning, 62 mm	1	
7	14013-004	RING, positioning	2	
8	92067-001	PLUG, oil drain	1	
9	92065-011	GASKET, oil drain plug	1	
10	14015-001	RECEIVER, oil	1	
11	211B0616	SCREW, countersunk head, 6 x 16	1	
12	172G0875	STUD, 8 x 75	12	
13	172GI060	STUD, 10 x 60	8	
14	172GI075	STUD, 10 x 75	2	
15	172G1090	STUD, 10 x 90	2	
16	172G0622	STUD, 6 x 22	3	
17	172G0635	STUD, 6 x 35	4	
18	172G0650	STUD, 6 x 50	3	
19	172G0675	STUD, 6 x 75	4	
20	172G0685	STUD, 6 x 85	1	
21	316B1000	NUT, 10 mm	12	
22	310B0600	NUT, 6 mm	15	
23	460E1000	WASHER, spring, 10 mm	12	
24	461E0600	WASHER, spring, 6 mm	15	
25	14017-012	ABSORBER, front upper	2	
26	14017-013	ABSORBER, rear upper	2	
27	14017-010	ABSORBER, front lower	2	
28	14017-011	ABSORBER, rear lower	2	
29	14051-003	GASKET, check valve	3	
30	16128-008	VALVE, check	3	
31	220B0620	SCREW, pan head, 6 x 20	6	

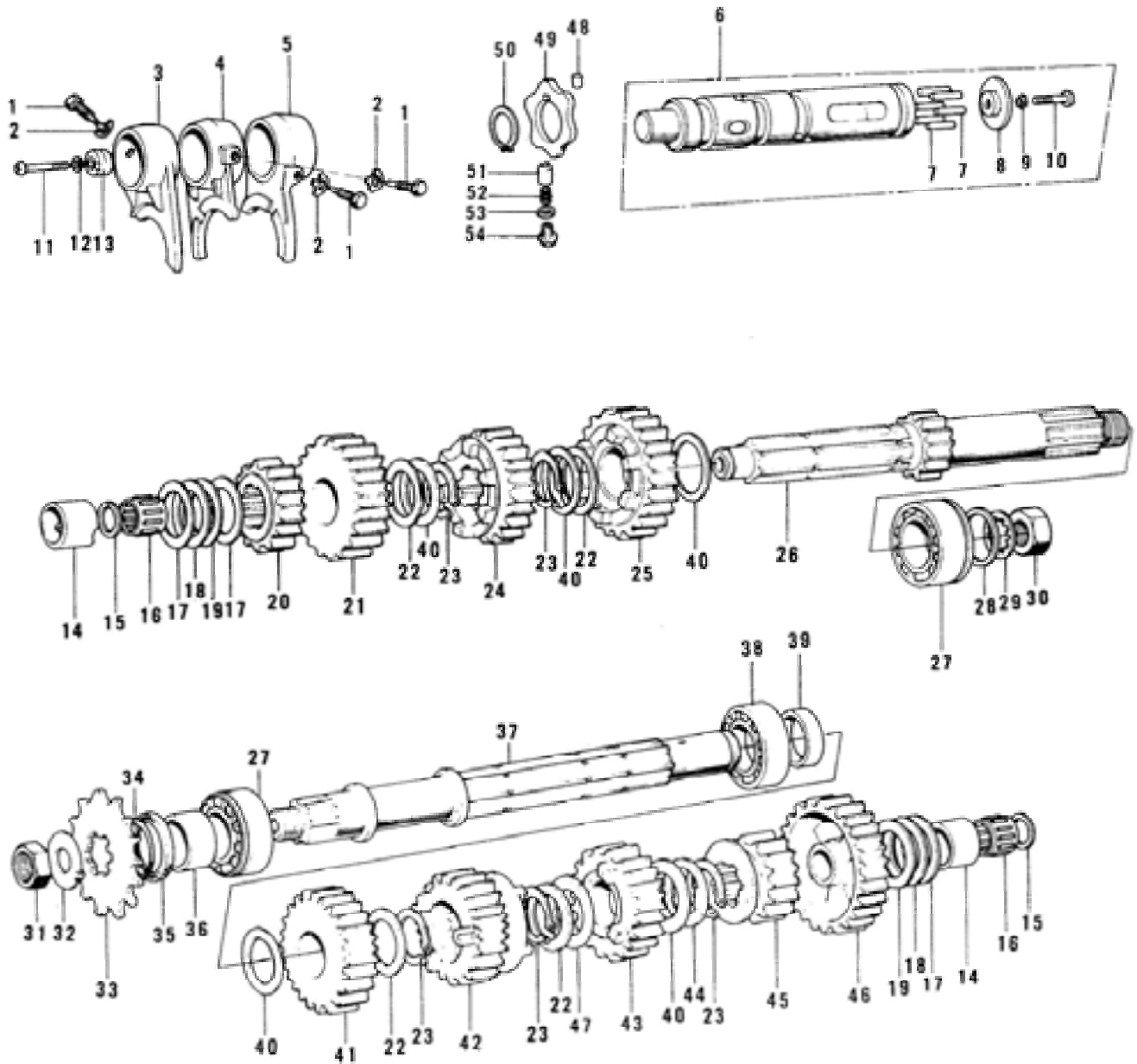


PISTON, CRANKSHAFT

Ref No.	Part No.	Part Name	Quantity	Remarks
1	13008-041	RING SET, piston, STD	3	
1	13024-048	RING SET, piston, 0,040" O.S.	3	Option
1	13025-044	RING SET, piston, 0,020" O.S.	3	Option
2	13001-031	PISTON, STD	3	
2	13027-031	PISTON, 0,040" O.S.	3	Option
2	13029-031	PISTON, 0,020" O.S.	3	Option
3	13002-010	PIN, piston	3	
4	92036-004	CIRCLIP, piston pin	6	
5	13033-016	BEARING, needle, small end	3	KTV162022
6	13031-049	CRANK & CONROD ASSY	1	
7	92038-001	WOODRUFF KEY	1	
8	92027-031	COLLAR, R.H. crankshaft	1	
9	92055-018	"O" RING, 22 mm	1	
10	92050-052	OIL SEAL, TCY326210	1	
11	13121-013	GEAR, primary	1	
12	92027-091	COLLAR	1	
13	92024-015	WASHER, lock, 18 mm	1	
14	92015-019	NUT, 18 mm	1	
15	92024-021	WASHER, lock	1	
16	16084-010	PINION, oil pump	1	
17	463H0600	WASHER, lock, 6 mm	1	
18	92001-060	BOLT, oil pump pinion	1	
19	510A5200	WOODRUFF KEY	1	
20	92036-013	CIRCLIP	1	
21	92050-051	OIL SEAL, TC255210	1	

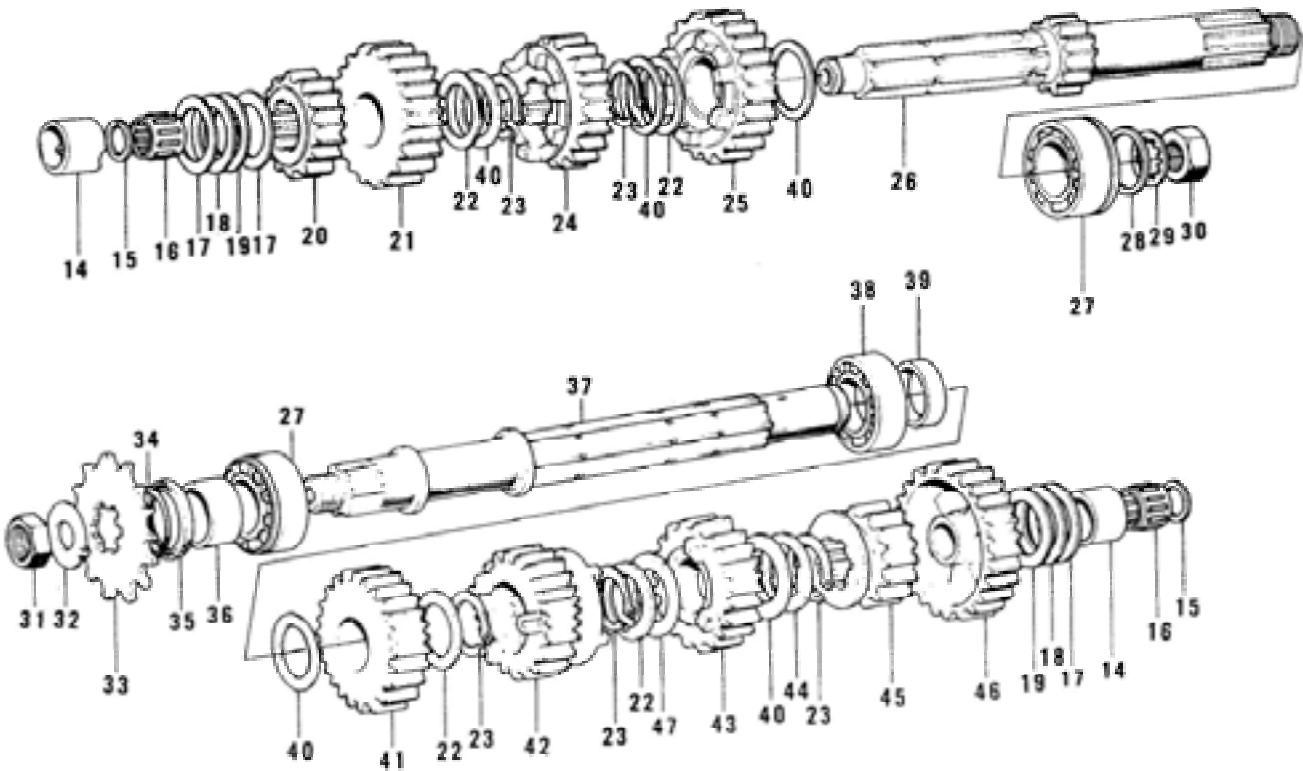
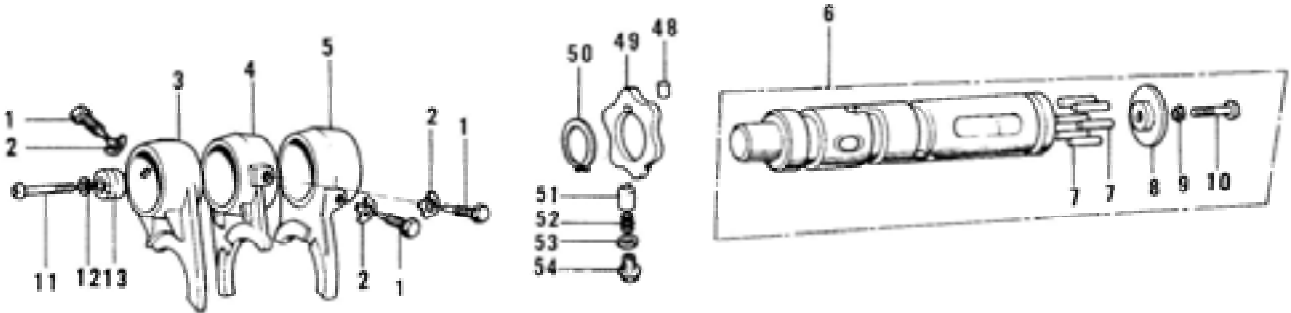


Ref No.	Part No.	Part Name	Quantity	Remarks
1	13231-018	RELEASE ASSY, clutch	1	
2	311B0600	NUT, 6 mm	1	
3	291Z0625	SCREW, slotted, 6 x 25	1	
4	92056-007	OIL SEAL	1	
5	600A0400	BALL, steel, 1/8"	11	
6	13197-006	RETAINER	1	
7	13118-015	OUTER, clutch release	1	
8	480J1500	CIRCLIP, 15 mm	1	
9	220B0616	SCREW, pan head, 6 x 16	2	
10	92022-119	WASHER, thrust	1	
11	92026-022	WASHER, clutch thrust	1	
12	13081-071	CLUTCHASSY	1	
13	92028-081	BUSHING	1	
14	92046-004	BEARING, needle	1	
15	13095-018	HOUSING, clutch	1	
16	13087-030	HUB, clutch	1	
17	13089-013	PLATE, clutch steel	6	
18	13088-034	PLATE, clutch friction	7	
19	13229-001	RING, clutch steel	7	
20	13187-005	PLATE, clutch spring	1	
21	13092-005	GUIDE, clutch spring	5	
22	92081-042	SPRING, clutch	5	
23	13091-009	HOLDER, clutch spring	5	
24	110B0618	BOLT, hex head, 6 x 18	5	
25	13116-011	PUSHER, clutch spring plate	1	
26	92050-070	OIL SEAL	1	
27	13116-010	PUSH ROD, clutch short	1	L=49 mm
28	92028-070	BUSHING, clutch push rod	1	
29	13116-009	PUSH ROD, clutch long	1	L=167,5 mm



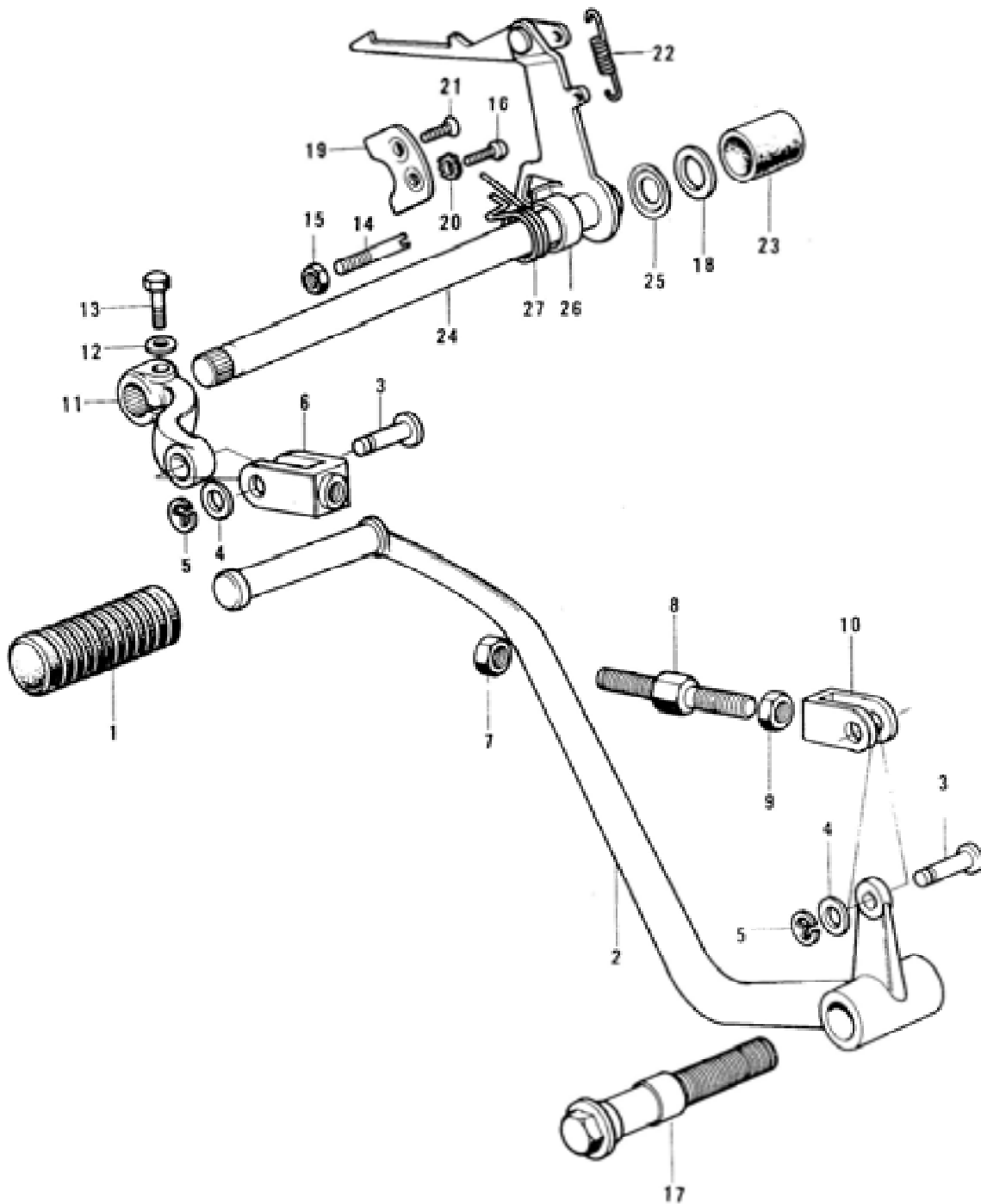
TRANSMISSION GEARS

Ref No.	Part No.	Part Name	Quantity	Remarks
1	92043-016	PIN, selector fork guide	3	
2	92031-001	WASHER, lock, 10 mm	3	
3	13140-064	SELECTOR FORK, 2ND & 3RD	1	
4	13140-014	SELECTOR FORK, top	1	
5	13140-012	SELECTOR FORK, low	1	
6	13239-023	DRUM ASSY, gear change	1	
7	92042-014	PIN, gear change drum	6	
8	13142-004	PLATE, gear change drum	1	
9	464H0600	WASHER, lock, 6 mm	1	
10	220B0614	SCREW, pan head, 6 x 14	1	
11	220B0625	SCREW, pan head, 6 x 25	1	
12	461E0600	WASHER, spring, 6 mm	1	
13	13147-005	ROTOR, neutral indicator switch	1	
14	92028-073	BUSHING	2	
15	92033-015	CIRCLIP	2	
16	92046-010	BEARING, needle	2	KT202513
17	92022-112	WASHER, thrust t=1.0 mm	3	Steel
18	92022-223	WASHER, thrust t=1,4 mm	2	Steel
19	92022-113	WASHER, thrust t=1,0 mm	2	Phosphor-Bronze
20	13130-017	2ND GEAR, drive shaft	1	20T
21	13134-003	4TH GEAR, drive shaft	1	25T
22	92022-113	WASHER, thrust t=1,0 mm	4	Phosphor-Bronze
23	92033-026	CIRCLIP, 24 mm	5	
24	13132-014	3RD GEAR, drive shaft	1	23T
25	13136-041	TOP GEAR, drive shaft	1	26T
26	13127-019	SHAFT, drive	1	15T
27	92045-010	BEARING, ball, #6205NX3C3	2	
28	92022-114	WASHER, thrust	1	
29	463G2000	WASHER, lock, 20 mm	1	
30	92016-028	NUT, 20 mm	1	
31	92015-019	NUT, 18 mm	1	
32	92024-067	WASHER, lock, 18 mm	1	
33	13144-030	ENGINE SPROCKET, 15T	1	Option
33	13144-035	ENGINE SPROCKET, 14T	1	Option
33	13144-036	ENGINE SPROCKET, 16T	1	STD
34	92055-035	"O" RING	1	
35	92050-024	OIL SEAL, SC325211	1	
36	92026-027	SPACER, engine sprocket	1	
37	13128-020	SHAFT, output	1	
38	601B6005	BEARING, ball, #6005	1	
39	92027-052	COLLAR	1	
40	92022-159	WASHER, thrust t=0,5 mm	5	
41	13131-011	2ND GEAR, output shaft	1	25T



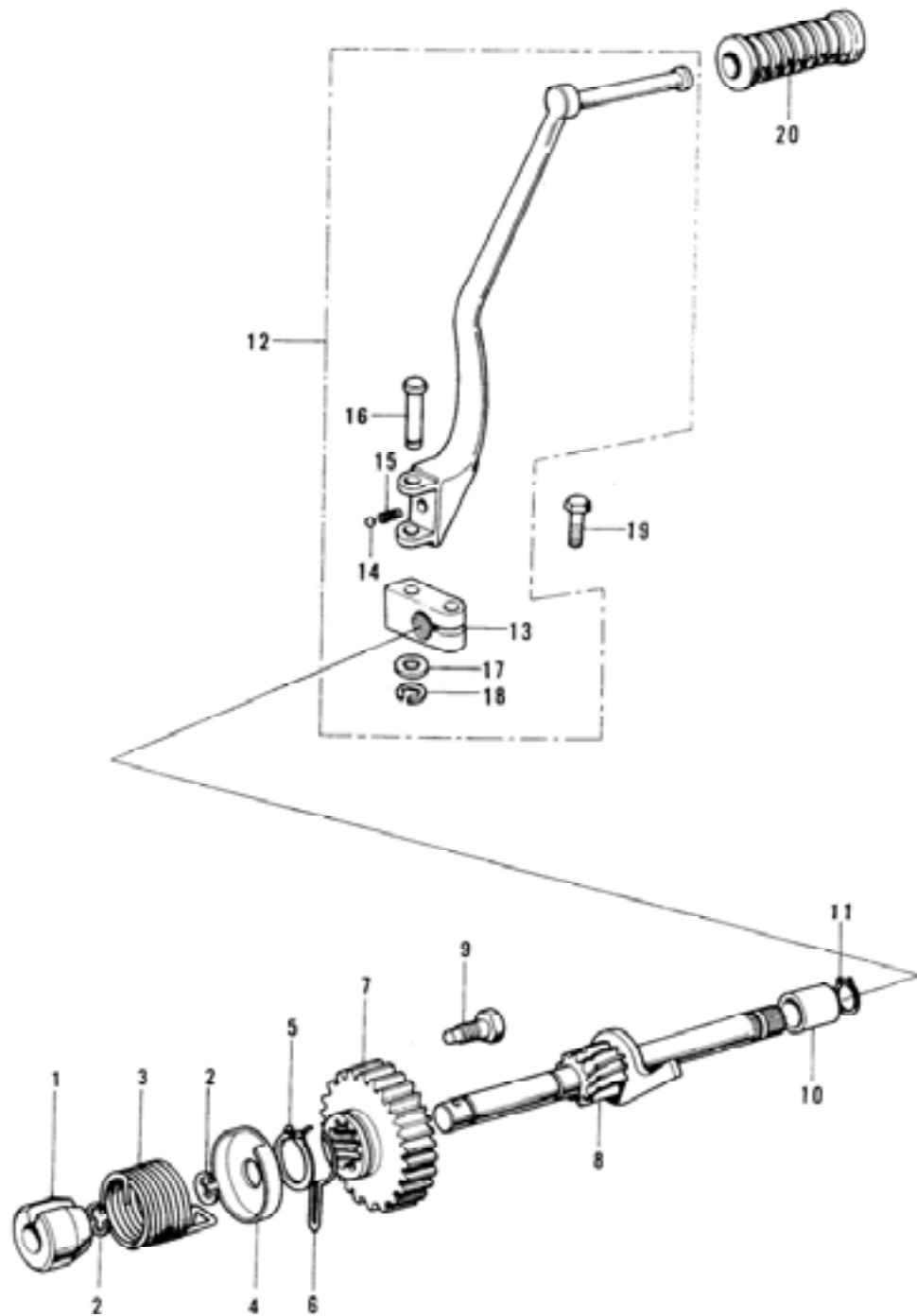
TRANSMISSION GEARS - 2

Ref No.	Part No.	Part Name	Quantity	Remarks
42	13135-007	4TH GEAR, output shaft	1	23T
43	13133-015	3RD GEAR, output shaft	1	25T
44	92024-033	WASHER, lock	1	
45	13137-010	TOP GEAR, output shaft	1	21T
46	13129-024	LOW GEAR, output shaft	1	33T
47	92024-072	WASHER, lock	1	
48	610A0406	PIN, dowel, 4 x 6	1	
49	13145-006	DISC, gear change drum operating	1	
50	480J3000	CIRCLIP, 30 mm	1	
51	92043-076	PIN, neutral positioning	1	
52	92081-112	SPRING, neutral positioning pin	1	
53	92065-090	GASKET	1	
54	92001-131	BOLT, 10 mm	1	



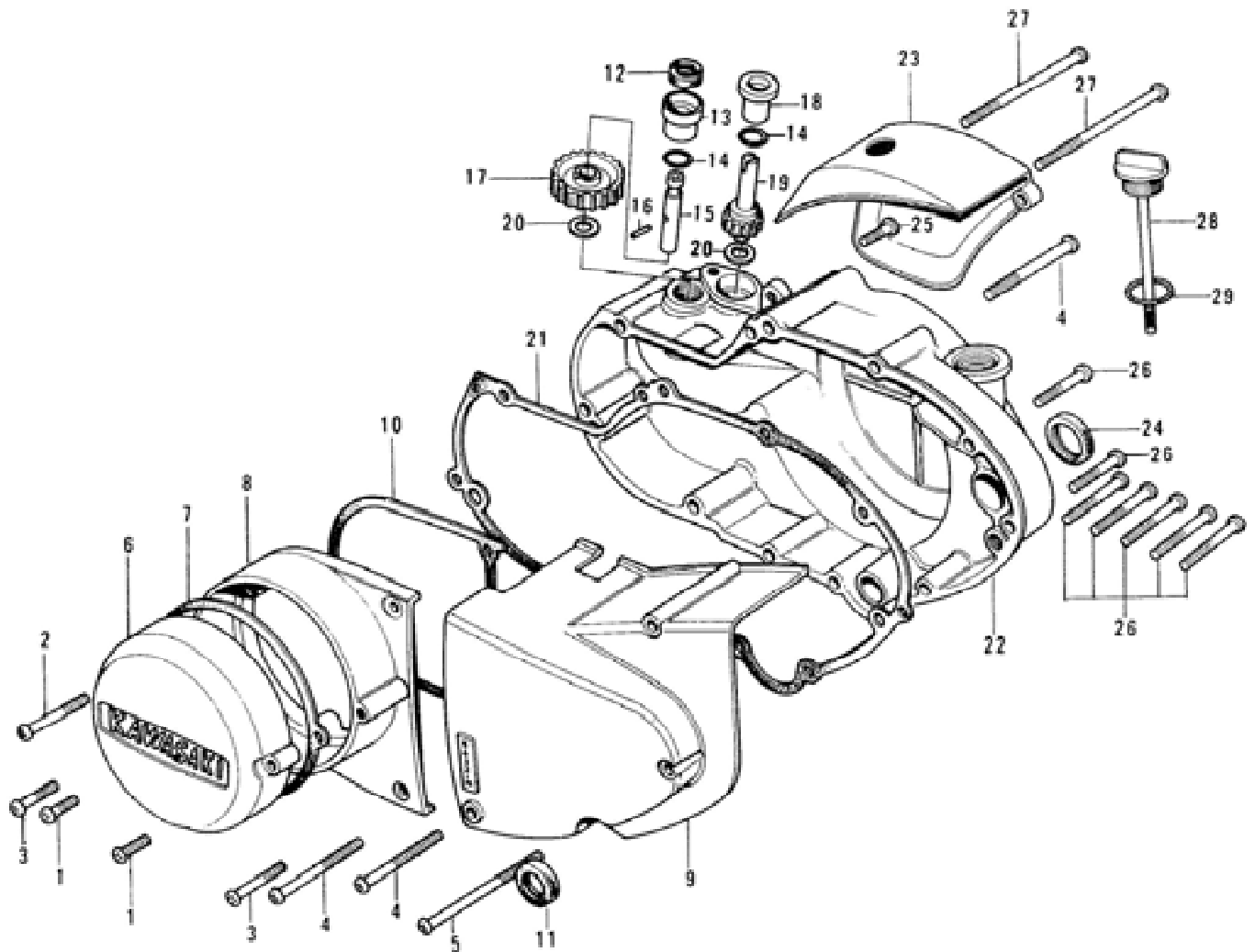
GEAR CHANGE MECHANISM

Ref No.	Part No.	Part Name	Quantity	Remarks
1	13157-004	RUBBER, gear change pedal	1	
2	13242-011	PEDAL, gear change	1	
3	92043-069	PIN	2	
4	92022-203	WASHER, plain, 8 mm	2	
5	482K5000	CIRCLIP, 5 mm	2	
6	13159-008	CONNECTOR B	1	"A"-Mark
7	92017-010	NUT, 8 mm (Counterclockwise thread)	1	
8	92003-115	ROD	1	
9	318N0800	NUT, 8 mm	1	
10	13159-007	CONNECTOR A (Clockwise thread)	1	
11	13158-011	LEVER, gear change pedal	1	
12	461E0800	WASHER, spring, 8 mm	1	
13	110B0822	BOLT, hex head, 8 x 22	1	
14	92043-009	PIN, gear change pedal return spring	1	
15	312B0800	NUT, 8 mm	1	
16	220B0616	SCREW, pan head, 6 x 16	1	
17	92003-117	BOLT, gear change pedal fitting	1	
18	92022-150	WASHER, plain	1	
19	13169-005	PLATE, gear change drum positioning	1	
20	464H0600	WASHER, lock, 6 mm	1	
21	212B0616	SCREW, countersunk head, 6 x 16	1	
22	92081-151	SPRING, gear change lever	1	
23	13080-004	RUBBER CAP	1	
24	13161-045	LEVER ASSY, gear change	1	
25	92026-068	SPACER	1	
26	92027-121	COLLAR, gear change lever boss	1	
27	92083-002	SPRING, gear change pedal return	1	

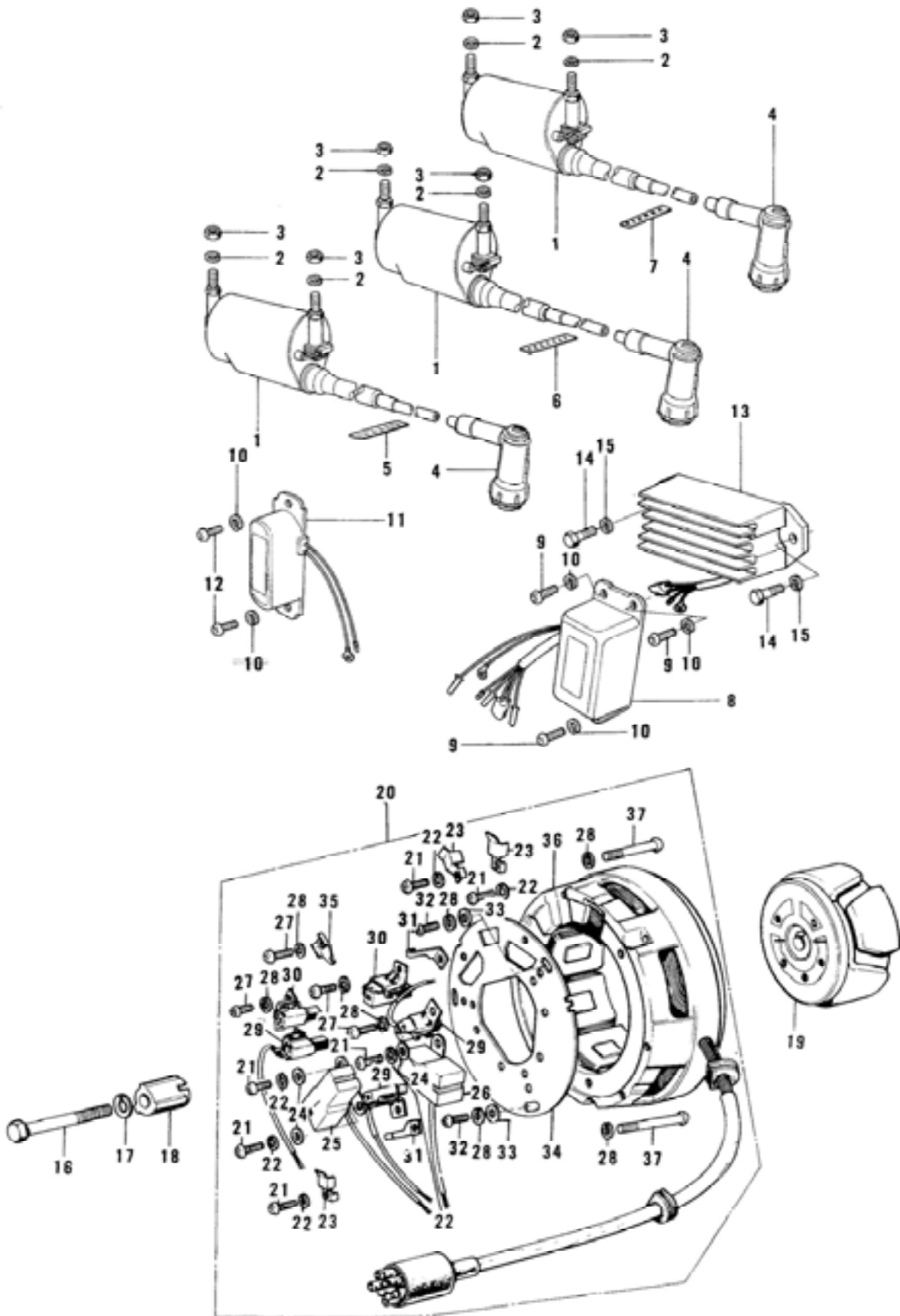


KICKSTARTER MECHANISM

Ref No.	Part No.	Part Name	Quantity	Remarks
1	13070-001	GUIDE, kickstarter spring	1	
2	482J0100	CIRCLIP, 10 mm	2	
3	92081-021	SPRING, kickstarter	1	
4	13071-003	PLATE, kickstarter spring holder	1	
5	480J2600	CIRCLIP, 26 mm	1	
6	13077-002	HOLDER, kickstarter gear	1	
7	13068-015	GEAR, kickstarter	1	
8	13245-009	SHAFT, kickstarter	1	
9	13072-006	STOPPER, kickstarter	1	
10	92028-072	BUSHING	1	
11	480J1600	CIRCLIP, 16 mm	1	
12	13064-016	PEDAL, kickstarter	1	
13	13061-020	BOSS, kickstarter pedal	1	
14	600A0800	BALL, steel, 1/4"	1	
15	92081-020	SPRING, kickstarter pedal	1	
16	92043-075	PIN, kickstarter	1	
17	410B0800	WASHER, plain, 8 mm	1	
18	482K5000	CIRCLIP, 5 mm	1	
19	92001-101	BOLT, hex head, 10 x 25	1	
20	13063-004	RUBBER, kickstarter pedal	1	

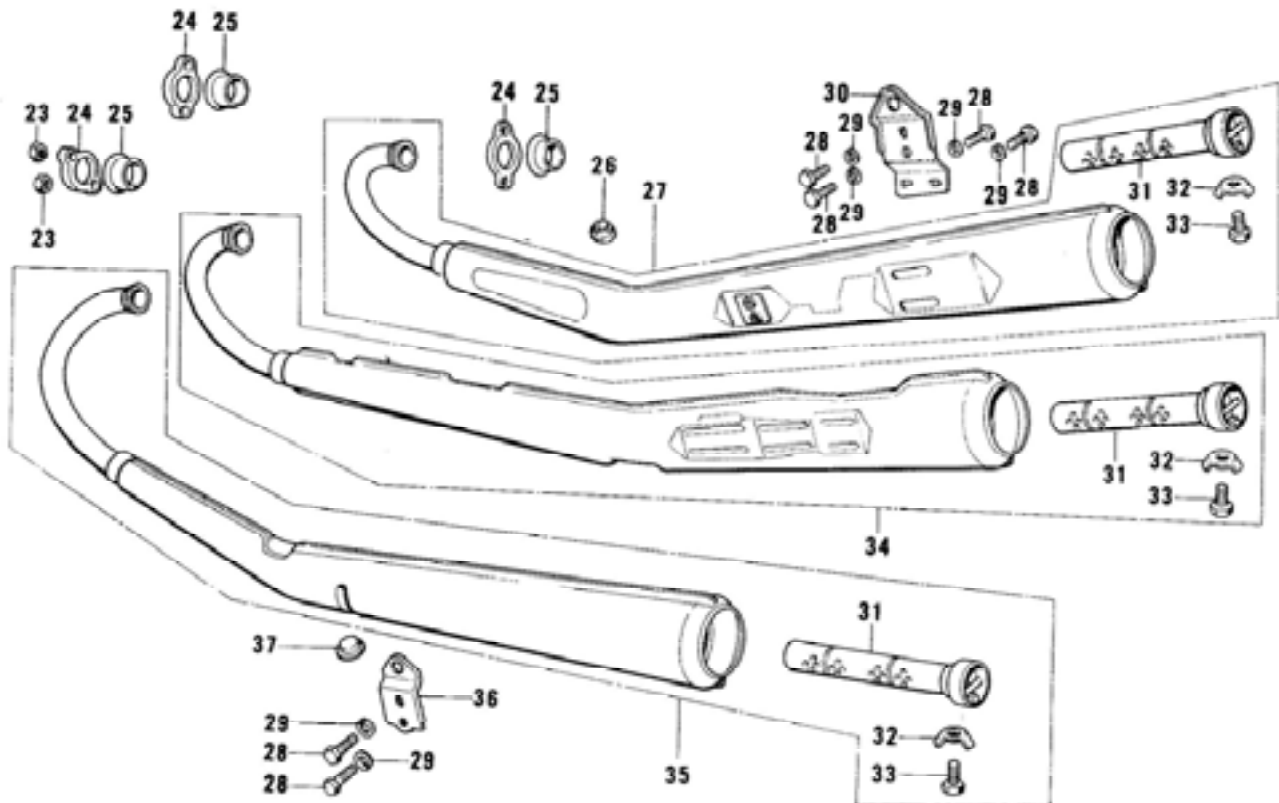
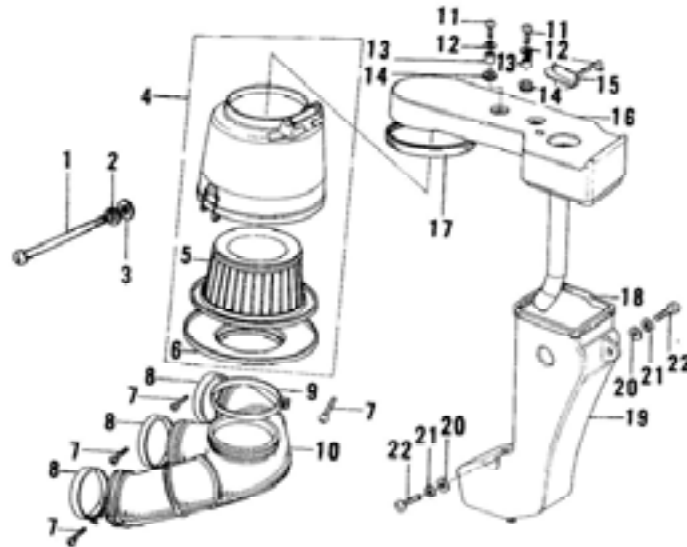


Ref No.	Part No.	Part Name	Quantity	Remarks
1	220B0620	SCREW, pan head, 6 x 20	2	
2	220B0645	SCREW, pan head, 6 x 45	1	
3	220B0635	SCREW, pan head, 6 x 35	2	
4	220B0655	SCREW, pan head, 6 x 55	3	
5	220B0685	SCREW, pan head, 6 x 85	1	
6	14027-016-80	COVER, contact breaker	1	Buff Finish
7	14050-008	GASKET, contact breaker cover	1	
8	14031-060-80	COVER, L.H. engine	1	Buff Finish
9	14026-034-80	COVER, chain case	1	Buff Finish
10	14045-012	GASKET, L.H. engine cover	1	
11	92049-004	OIL SEAL, SB12205	1	
12	92054-004	OIL SEAL, TC7144	1	
13	92028-075	BUSHING, tachometer gear	1	
14	92055-025	"O" RING	2	
15	13226-004	SHAFT, tachometer gear	1	
16	92042-015	PIN, dowel	1	
17	13224-005	GEAR, tachometer	1	35T
18	92028-074	BUSHING, oil pump gear	1	
19	16085-011	GEAR, oil pump	1	
20	92026-026	WASHER, thrust	2	
21	14046-014	GASKET, R.H. engine cover	1	
22	14032-097-80	COVER, R.H. engine	1	Buff Finish
23	14030-036-80	COVER, oil pump	1	Buff Finish
24	92049-002	OIL SEAL, SB16244	1	
25	220B0625	SCREW, pan head, 6 x 25	1	
26	220B0630	SCREW, pan head, 6 x 30	7	
27	220B06100	SCREW, pan head, 6 x 100	2	
28	16115-017	PLUG, oil filler	1	
29	670B2020	"O" RING, 20 mm	1	



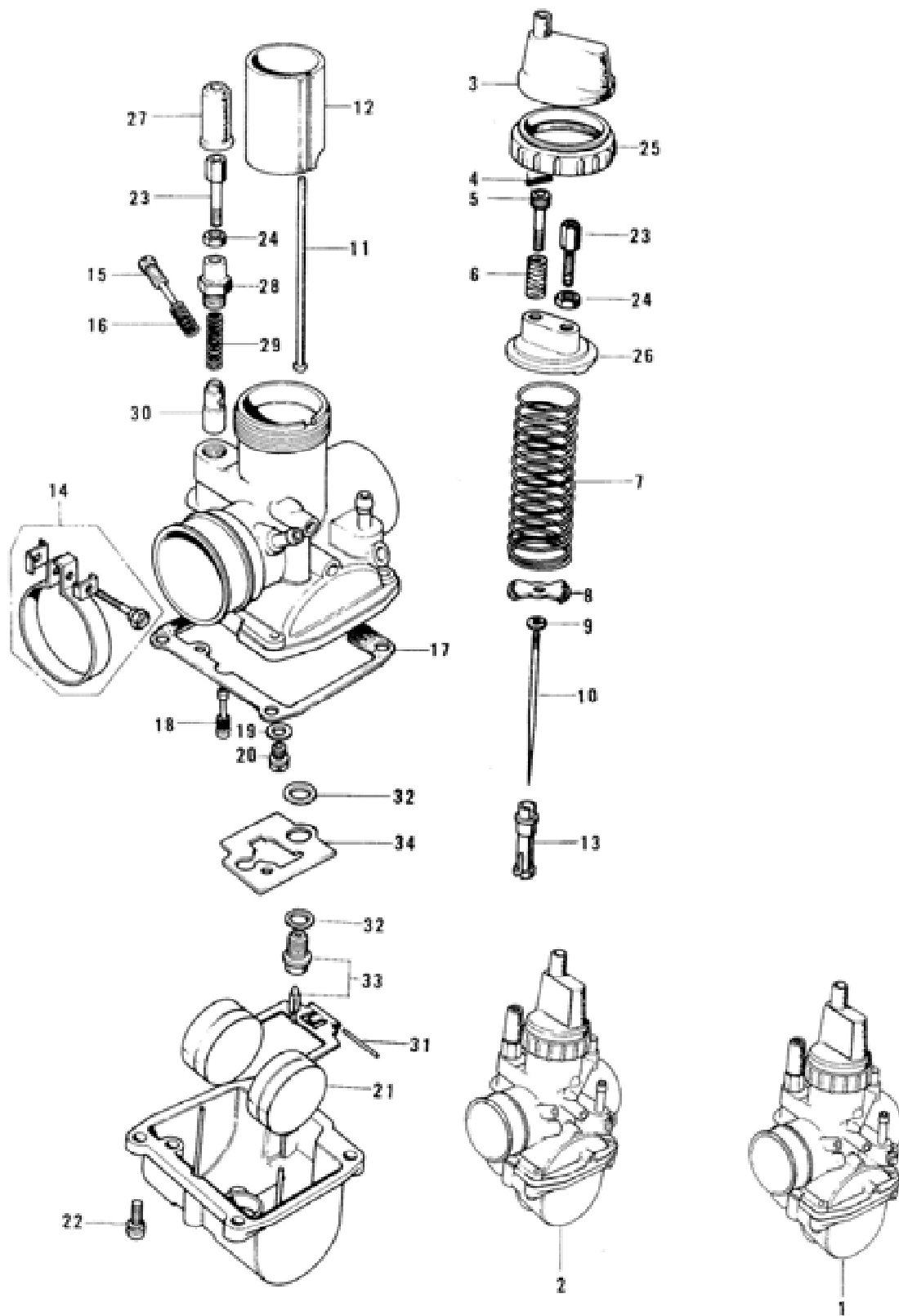
ELECTRICAL EQUIPMENT FOR ENGINE

Ref No.	Part No.	Part Name	Quantity	Remarks
1	21121-087	COIL, ignition	3	
2	461F0600	WASHER, spring, 6 mm	6	
3	310B0600	NUT, 6 mm	6	
4	21130-023	CAP, spark plug	3	
5	21168-001	LABEL, left	1	
6	21168-002	LABEL, center	1	
7	21168-003	LABEL, right	1	
8	21119-025	IGNITION UNIT A	1	
9	220B0512A	SCREW, pan head, 5 x 12	3	
10	461F0500	WASHER, spring, 5 mm	5	
11	21119-019	IGNITION UNIT B	1	
12	220B0512A	SCREW, pan head, 5 x 12	2	
13	21072-008	REGULATOR	1	
14	110B0618	BOLT, hex head, 6 x 18	2	
15	461F0600	WASHER, spring, 6 mm	2	
16	110B0870	BOLT, hex head, 8 x 70	1	
17	461F0800	WASHER, spring, 8 mm	1	
18	21007-027	ROTOR, S.G.	1	
19	21007-028	ROTOR	1	
20	21076-022	YOKE ASSY	1	
21	220B0408A	SCREW, pan head, 4 x 8	8	
22	461F0400	WASHER, spring, 4 mm	8	
23	21098-010	CLAMP, lead wire	4	
24	411B0400	WASHER, plain, 4 mm	4	
25	21152-004	PICK UP	1	"1" MARK
26	21152-005	PICK UP	1	"2" MARK
27	220B0506A	SCREW, pan head, 5 x 6	6	
28	461F0500	WASHER, spring, 5 mm	12	
29	21088-013	BRUSH, carbon	3	
30	21088-014	BRUSH, carbon	2	
31	21098-011	CLAMP, carbon brush wire	3	
32	220B0512A	SCREW, pan head, 5 x 12	3	
33	410B0500	WASHER, plain, 5 mm	3	
34	21155-007	PLATE, yoke	1	
35	21020-003	POINTER, ignition timing	1	
36	21003-033	STATOR	1	
37	220B0550A	SCREW, pan head, 5 x 50	3	

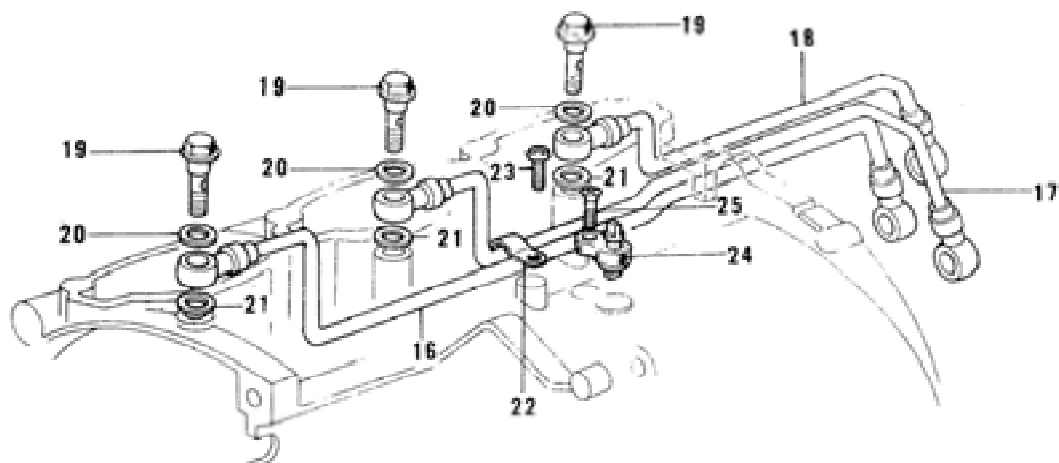
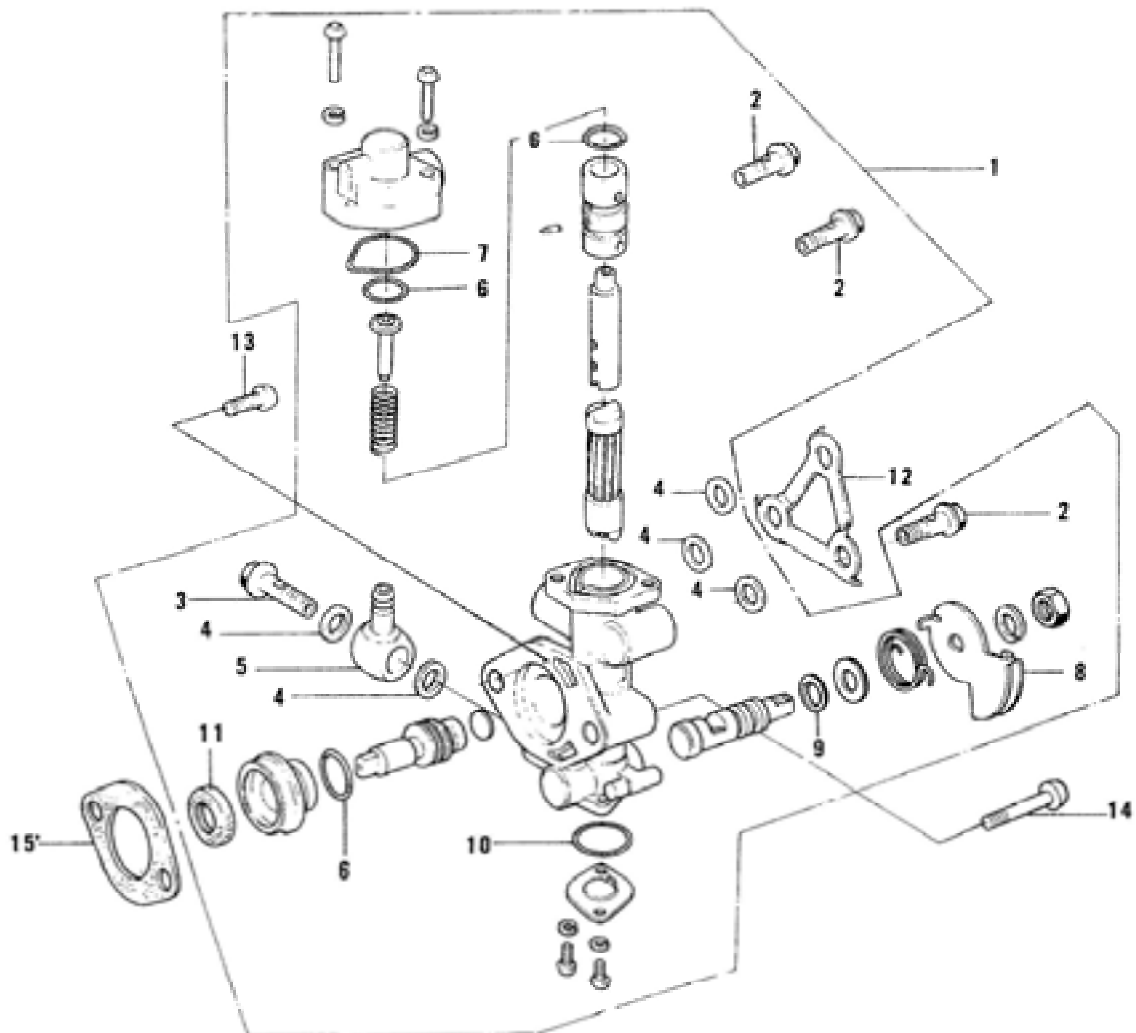


AIR CLEANER, MUFFLERS

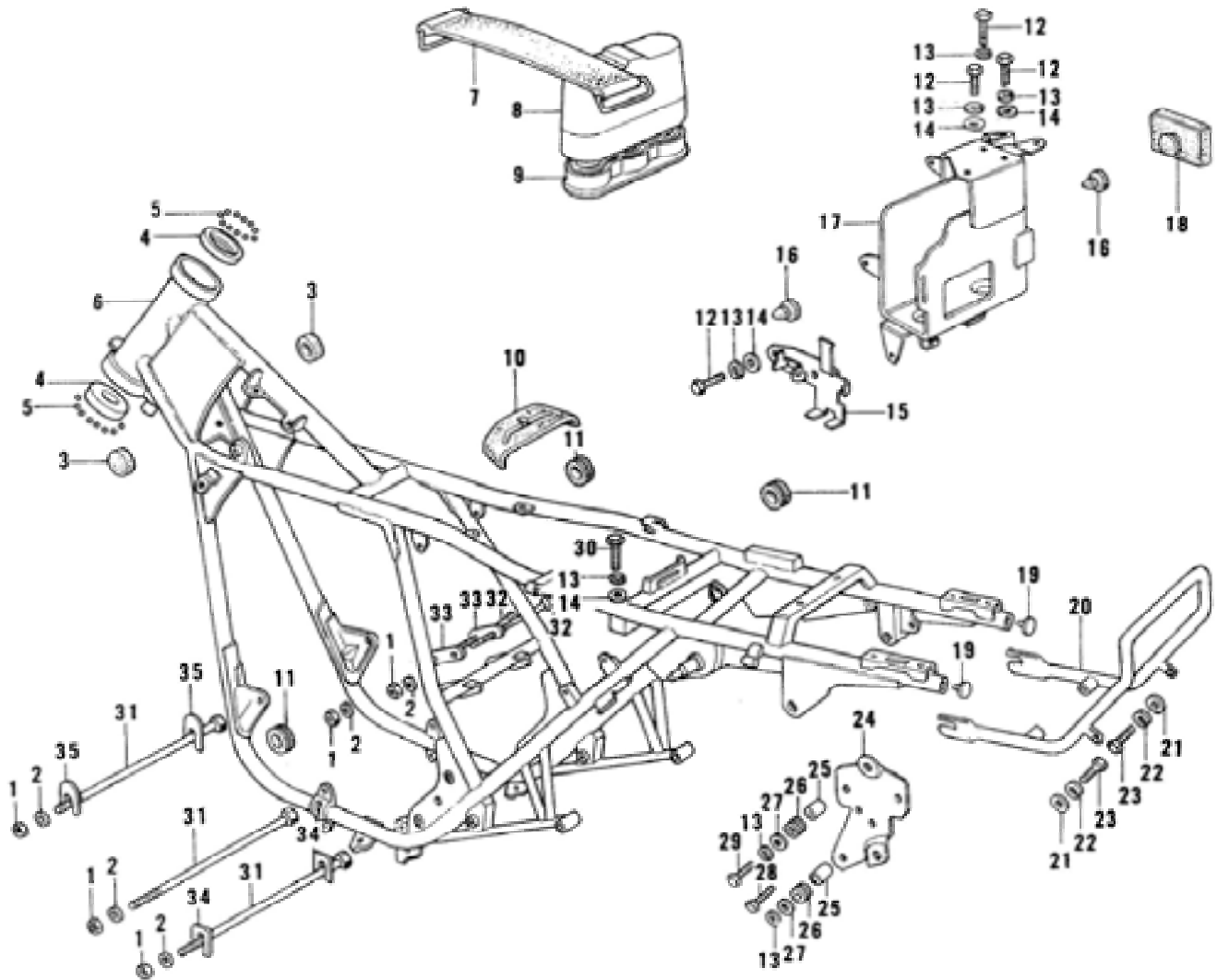
Ref No.	Part No.	Part Name	Quantity	Remarks
1	220B06110	SCREW, pan head, 6 x 110	1	
2	461F0600	WASHER, spring, 6 mm	1	
3	410B0600	WASHER, plain, 6 mm	1	
4	11010-097	AIR CLEANER ASSY	1	
5	11013-057	ELEMENT, air cleaner	1	
6	11012-011	CAP, air cleaner	1	
7	92011-033	SCREW, pan head, 6 x 35	4	
8	92037-109	CLAMP, air cleaner	3	
9	92037-035	CLAMP, air cleaner	1	
10	11015-033	PIPE, air inlet	1	
11	220B0645	SCREW, pan head, 6 x 45	2	
12	92022-125	WASHER, plain	2	
13	92027-149	COLLAR	2	
14	92075-118	DAMPER RUBBER	2	
15	11012-062	CAP, air cleaner	1	
16	11012-061	SILENCER, air cleaner	1	
17	11017-009	GASKET	1	
18	11017-013	GASKET, air cleaner body	1	
19	11011-056	BODY, air cleaner	1	
20	92022-024	WASHER, plain	2	
21	461F0600	WASHER, spring, 6 mm	2	
22	110B0616	BOLT, hex head, 6 x 16	2	
23	316B0800	NUT, 8 mm	6	
24	18069-049	HOLDER, exhaust pipe	3	
25	18070-007	INSERT, exhaust holder	3	
26	92075-006	DAMPER RUBBER	1	
27	18001-179	MUFFLER ASSY, R.H.	1	
29	461F0800	WASHER, spring, 8 mm	6	
30	18061-050	BRACKET, muffler, R.H.	1	
31	18033-064	BAFFLE TUBE	3	
32	92024-016	WASHER, lock	3	
34	18001-178	MUFFLER ASSY, center	1	
35	18001-177	MUFFLER ASSY, L.H.	1	
36	18061-049	BRACKET, muffler, L.H.	1	
37	92075-015	DAMPER RUBBER	1	



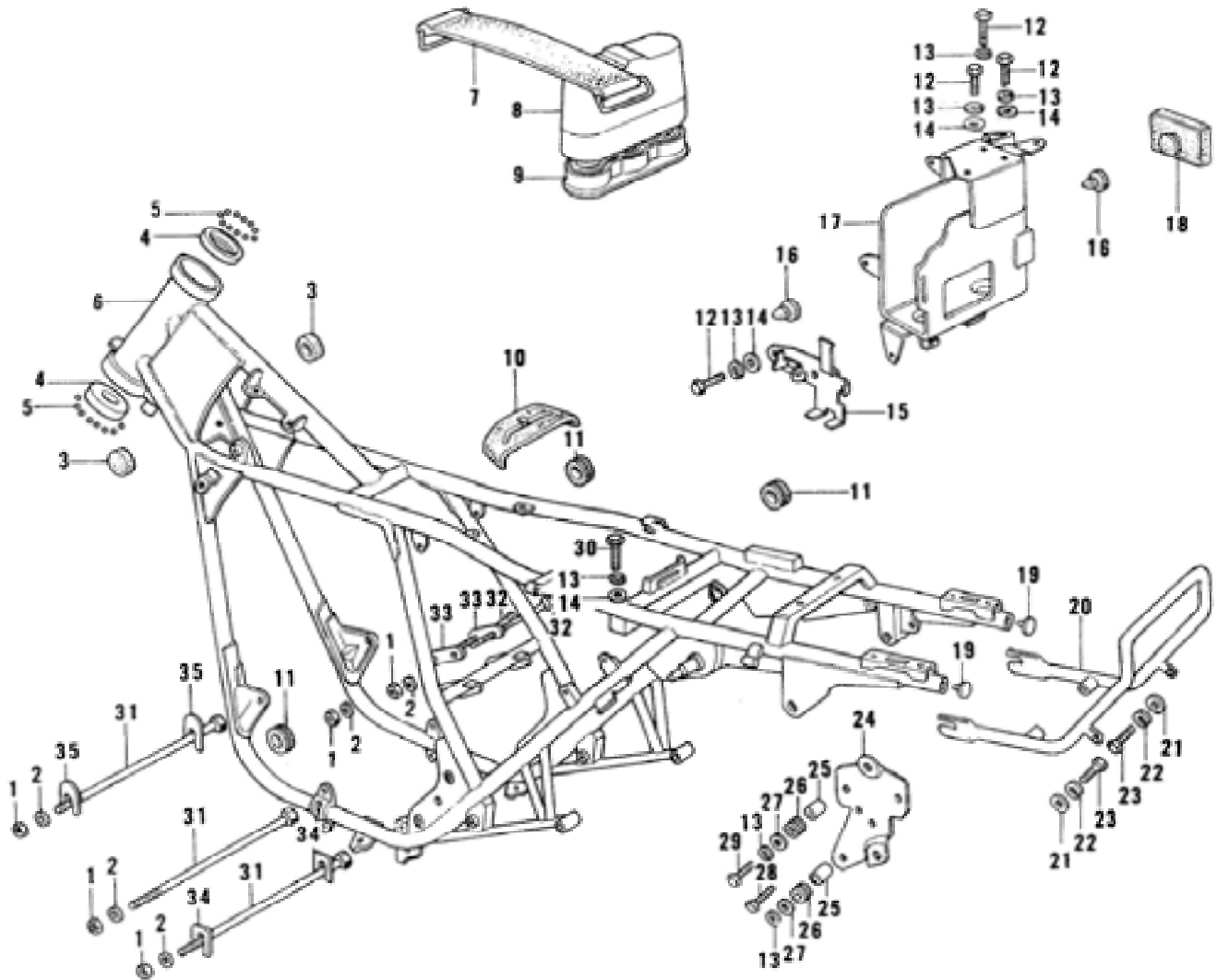
Ref No.	Part No.	Part Name	Quantity	Remarks
1	16001-276	CARBURETOR ASSY, L.H. & Center	2	VM28
2	16001-277	CARBURETOR ASSY, R.H.	1	VM28
3	16036-004	CAP carburetor	3	
4	550D1210	PIN, cotter, 1,2 x 10	3	
5	16021-003	ADJUSTER, throttle	3	
6	16022-005	SPRING, throttle stop screw	3	
7	16006-012	SPRING, throttle valve	3	
8	16007-007	SPRING SEAT, throttle valve	3	
9	16008-004	CIRCLIP	3	
10	16009-049	JET NEEDLE, 5DJ19	3	
11	16024-005	ROD, throttle stop	3	
12	16025-048	VALVE, throttle	3	CA 2,0
13	16017-062	NEEDLE JET, O-4/8	3	
14	16051-002	CLAMP, carburetor mounting	3	
15	16014-006	SCREW, pilot air adjust	3	
16	16022-007	SPRING, pilot air adjust srew	3	
17	16019-008	GASKET, float chamber	3	
18	92064-032	PILOT JET, #25	3	
19	16034-001	WASHER, main jet	3	
20	92063-107	MAIN JET, #70R	3	Option
20	92063-108	MAIN JET, #72,5R	3	Option
20	92063-109	MAIN JET, #75R	3	STD
20	92063-122	MAIN JET, #77,5R	3	Option
20	92063-123	MAIN JET, # 80R	3	Option
21	16031-023	FLOAT	3	
22	16033-009	SCREW, float chamber fitting	12	
23	16002-002	ADJUSTER, cable	6	
24	16003-004	NUT, cable adjust lock	6	
25	16004-006	CAP, mixing chamber	3	
26	16005-016	TOP, mixing chamber	3	
27	16036-005	CAP, cable adjuster	3	
28	16012-008	CAP, starter plunger	3	
29	16013-003	SPRING, starter plunger	3	
30	16016-002	PLUNGER, starter	3	
31	16032-003	PIN, float	3	
32	16029-004	WASHER, float valve seat	6	
33	16030-005	FLOAT VALVE ASSY	3	
34	16055-013	PLATE	3	



Ref No.	Part No.	Part Name	Quantity	Remarks
1	16082-040	OIL PUMP ASSY	1	
2	92060-008	BOLT, banjo	3	L=17,5 mm
3	92060-009	BOLT, banjo	1	L=24 mm
4	92022-077	GASKET, oil pump banjo	5	
5	92061-015	CONNECTOR, banjo	1	
6	16090-002	O-RING, oil pump shaft	3	
7	16088-002	O-RING, oil pump upper cap	1	
8	16096-003	LEVER, oil pump cable	1	
9	16089-001	V-RING, oil pump cam shaft	1	
10	16090-003	O-RING, oil pump lower cap	1	
11	16091-001	OIL SEAL, oil pump shaft	1	
12	92024-058	WASHER, lock	1	
13	220B0514A	SCREW, pan head, 5 x 14	1	
14	220B0528A	SCREW, pan head, 5 x 28	1	
15	16094-002	GASKET, oil pump	1	
16	16134-007	PIPE ASSY, oil, L.H.	1	
17	16134-008	PIPE ASSY, oil, Center	1	
18	16134-009	PIPE ASSY, oil, R.H.	1	
19	92060-010-79	BOLT, banjo	3	Cr-Plated
20	92065-058	GASKET, check valve	3	I.D.=10,5 mm
21	92065-023	GASKET, check valve	3	I.D.=8,5 mm
22	16068-004	HOLDER, oil pipe	1	
23	220B0610	SCREW, pan head, 6 x 10	1	
24	13151-012	SWITCH, neutral indicator	1	
25	221B0616	SCREW, countersunk head, 6 x 16	1	

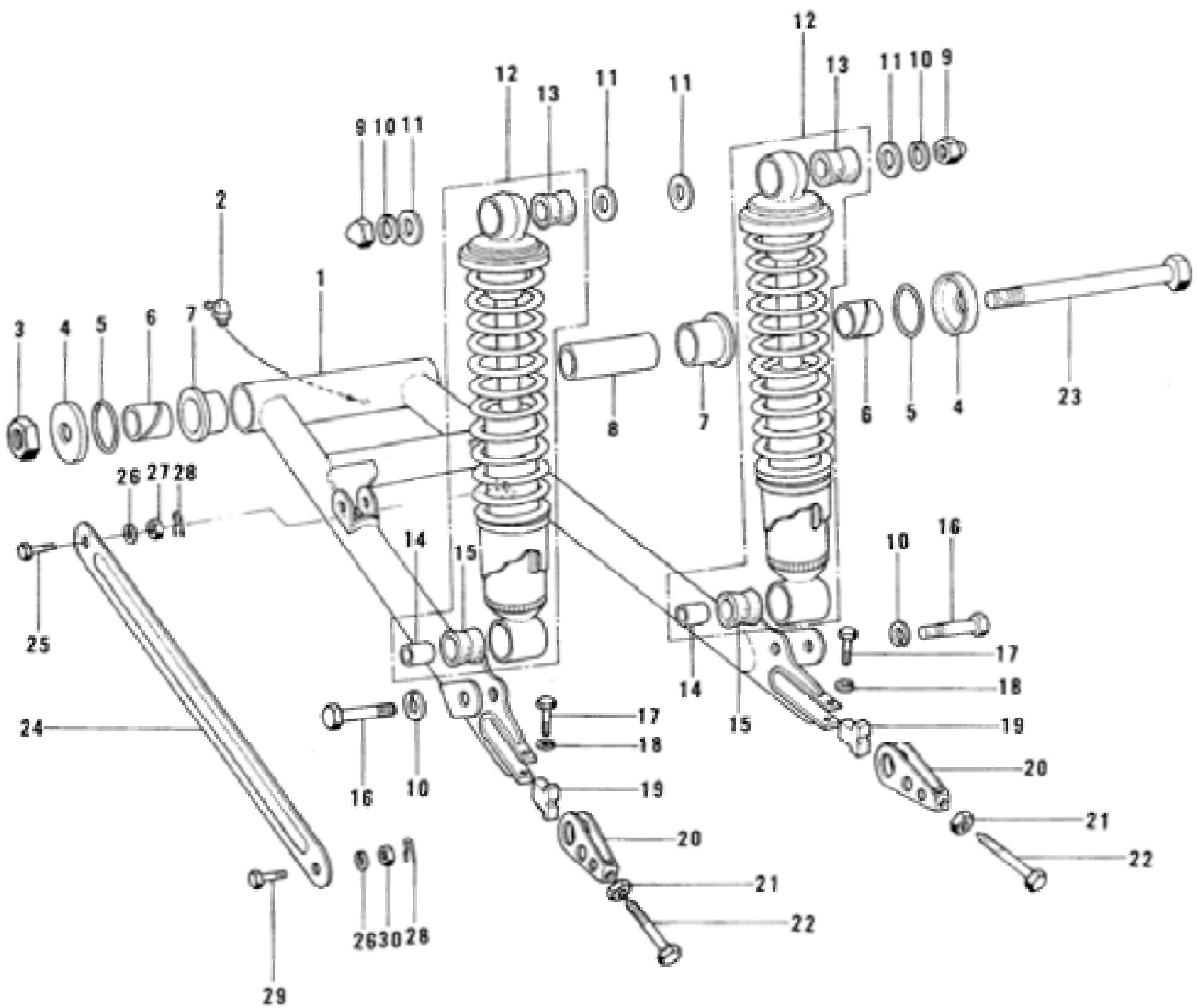


Ref No.	Part No.	Part Name	Quantity	Remarks
1	92019-021	NUT, lock, 10 mm	5	
2	410B1000	WASHER, plain, 10 mm	5	
3	92075-101	DAMPER RUBBER, fuel tank front	2	
4	92048-006	CUP, steering ball	2	
5	600A0800	BALL, steel, 1/4"	38	
6	32002-131	FRAME	1	
6	32002-142	FRAME	1	
7	32100-015	BAND, spark plug cover	1	
8	32132-003	COVER, spark plug	1	
9	32132-002	HOLDER, spark plug cover	1	
10	92075-278	DAMPER RUBBER, fuel tank rear	1	
11	92071-056	GROMMET, side cover	4	
12	110B0612	BOLT, hex head, 6 x 12	5	
13	461F0600	WASHER, spring, 6 mm	8	
14	411B0600	WASHER, plain, 6 mm	6	
15	32100-018	BAND, battery	1	
16	92075-078	DAMPER RUBBER, battery	4	
17	32097-038	CASE, battery	1	
18	92075-163	DAMPER RUBBER, R.H. battery case	1	
19	32112-006	PLUG	2	
20	35032-031	STAY, rear fender	1	
21	92022-101	WASHER, plain	2	
22	461F0800	WASHER, spring, 8 mm	2	
23	110B0845	BOLT, hex head, 8 x 45	2	
24	32129-007	BRACKET, electrical base	1	
25	92027-156	COLLAR	2	
26	92075-167	DAMPER RUBBER	2	
27	92022-125	WASHER, plain	2	
28	110B0628	BOLT, hex head, 6 x 28	1	
29	110B0625	BOLT, hex head, 6 x 25	1	
30	110B0616	BOLT, hex head, 6 x 16	1	
31	92091-024	BOLT, engine mounting, 10 x 274	3	
32	113B10125	BOLT, hex head, 10 x 125	2	
33	32030-016	PLATE, engine mounting	2	
34	92025-053	SHIM, 0,5t	0	
34	92025-054	SHIM, 0,8t	0	
34	92025-055	SHIM, 1,0t	0	
34	92025-056	SHIM, 1,6t	0	
34	92025-057	SHIM, 2,0t	0	
34	92025-058	SHIM, 2,3t	0	
35	92025-048	SHIM, 0,5t	0	
35	92025-049	SHIM, 0,8t	0	
35	92025-050	SHIM, 1,0t	0	



Ref No.	Part No.	Part Name	Quantity	Remarks
35	92025-051	SHIM, 1,6t	0	
35	92025-052	SHIM, 2,0t	0	

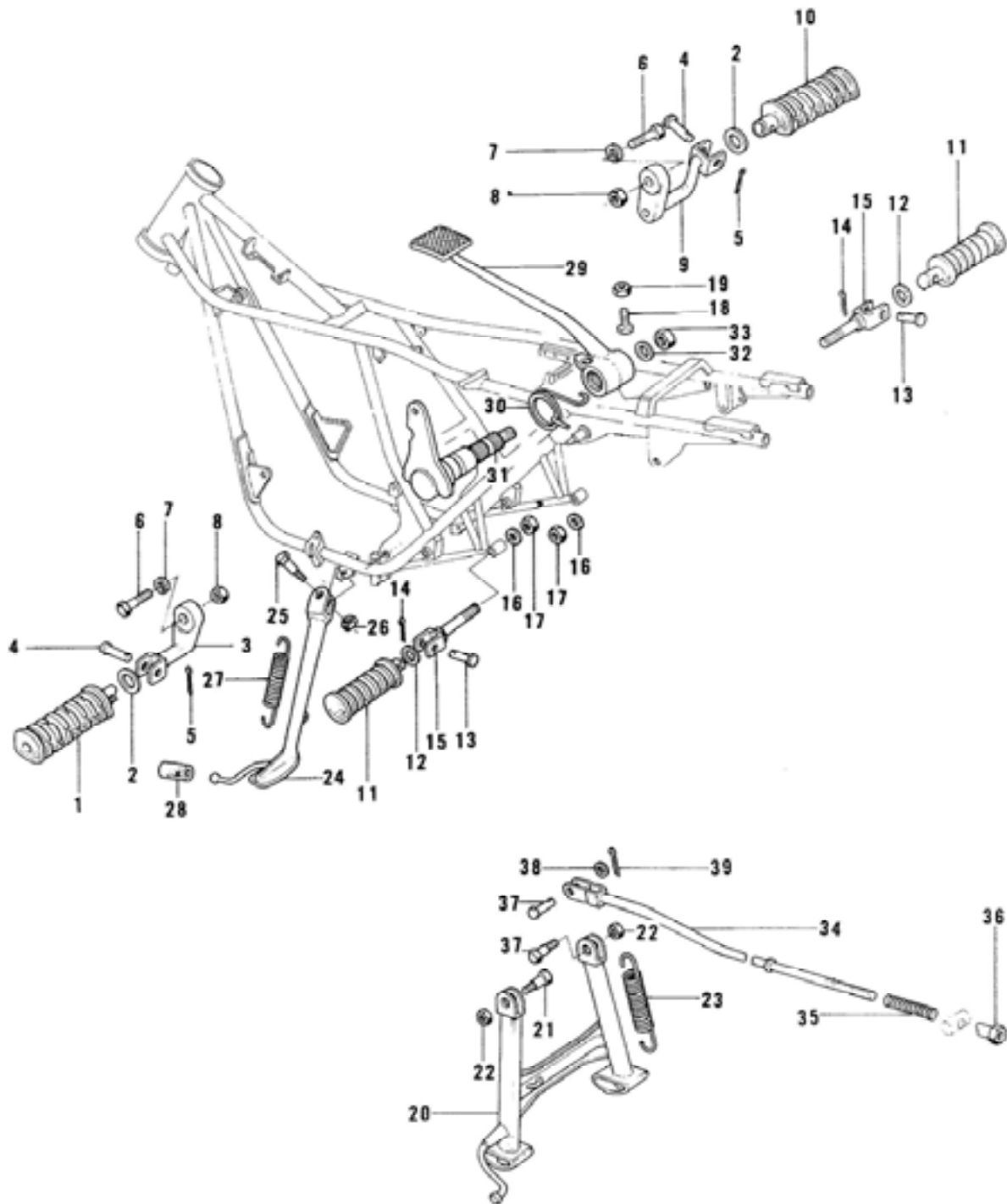
SWINGING ARM, REAR SHOCK ABSORBER



SWINGING ARM, REAR SHOCK ABSORBER

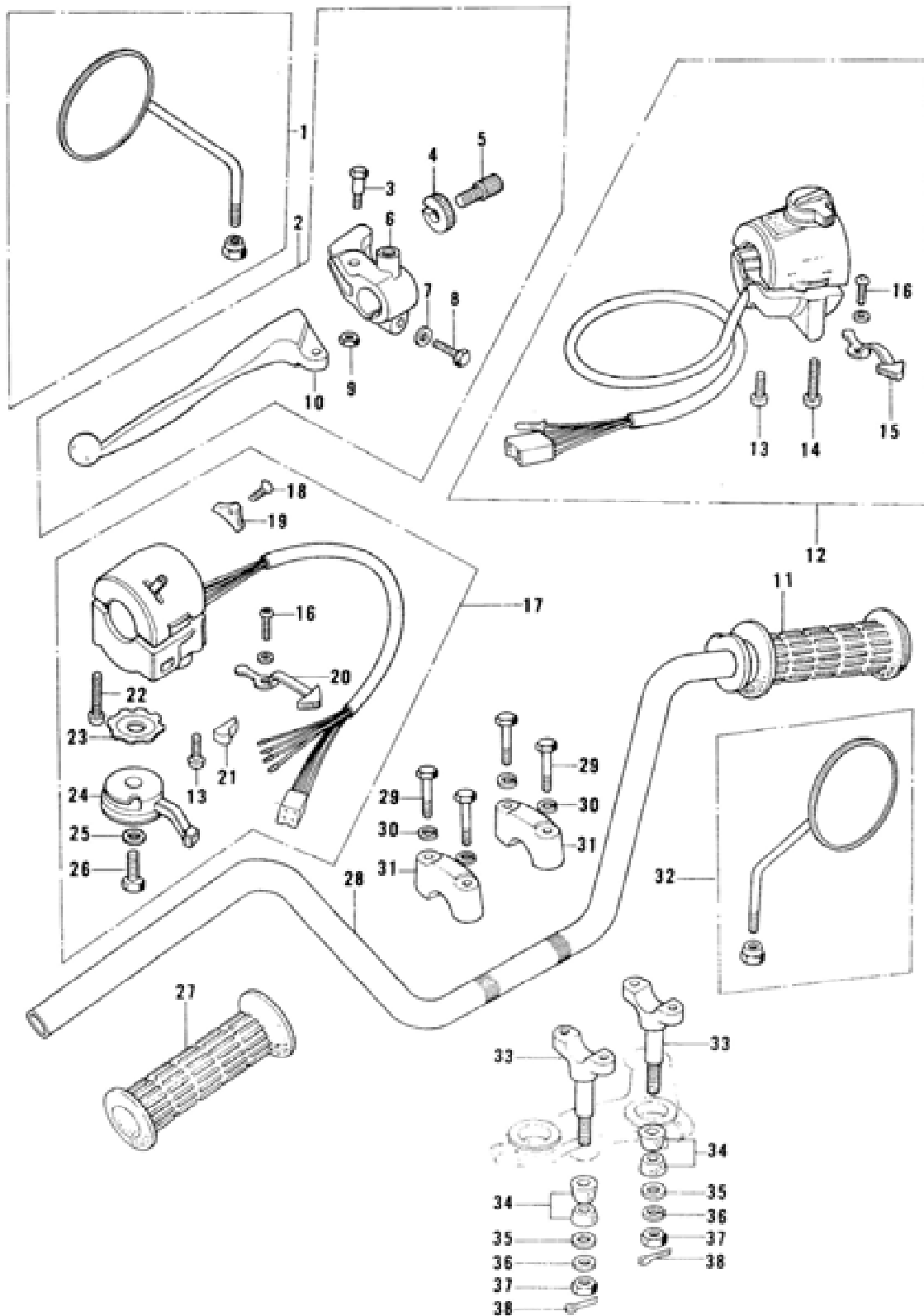
Ref No.	Part No.	Part Name	Quantity	Remarks
1	33001-084	SWINGING ARM	1	
2	92005-002	NIPPLE, grease	1	
3	92019-012	NUT, lock, 16 mm	1	
4	33035-007	CAP, swinging arm	2	
5	671B2530	"O" RING, 30 mm	2	
6	33034-009	SLEEVE, swinging arm short	2	
7	33033-009	BUSHING, swinging arm	2	
8	33034-008	SLEEVE, swinging arm long	1	
9	92020-003	NUT, shock absorber fitting	2	
10	461F1000	WASHER, spring, 10 mm	4	
11	92022-246	WASHER, plain, 10 mm	4	
12	45014-097	SHOCK ABSORBER, rear	2	
13	45017-015	BUSHING, shock absorber rubber	2	
14	45016-008	BUSHING, shock absorber	2	
15	45017-012	BUSHING, shock absorber rubber	2	
16	113N1035	BOLT, hex head, 10 x 35	2	
17	110B0835	BOLT, hex head, 8 x 35	2	
18	461F0800	WASHER, spring, 8 mm	2	
19	33044-002	STOPPER, chain adjuster	2	
20	33040-056	ADJUSTER, chain	2	
21	312B0800	NUT, 8 mm	2	
22	92001-038	BOLT, chain adjuster	2	
23	33032-038	SHAFT, swinging arm pivot	1	
24	43007-027	TORQUE LINK, rear brake	1	L=374 mm
25	92003-096	BOLT, hex head, 10 x 29	1	
26	461F1000	WASHER, spring, 10 mm	2	
27	313B1000	NUT, 10 mm	1	
28	92041-005	PIN, cotter	2	
29	92003-097	BOLT, hex head, 10 x 40	1	
30	315B1000	NUT, 10 mm	1	

FOOTRESTS, STANDS, BRAKE PEDAL

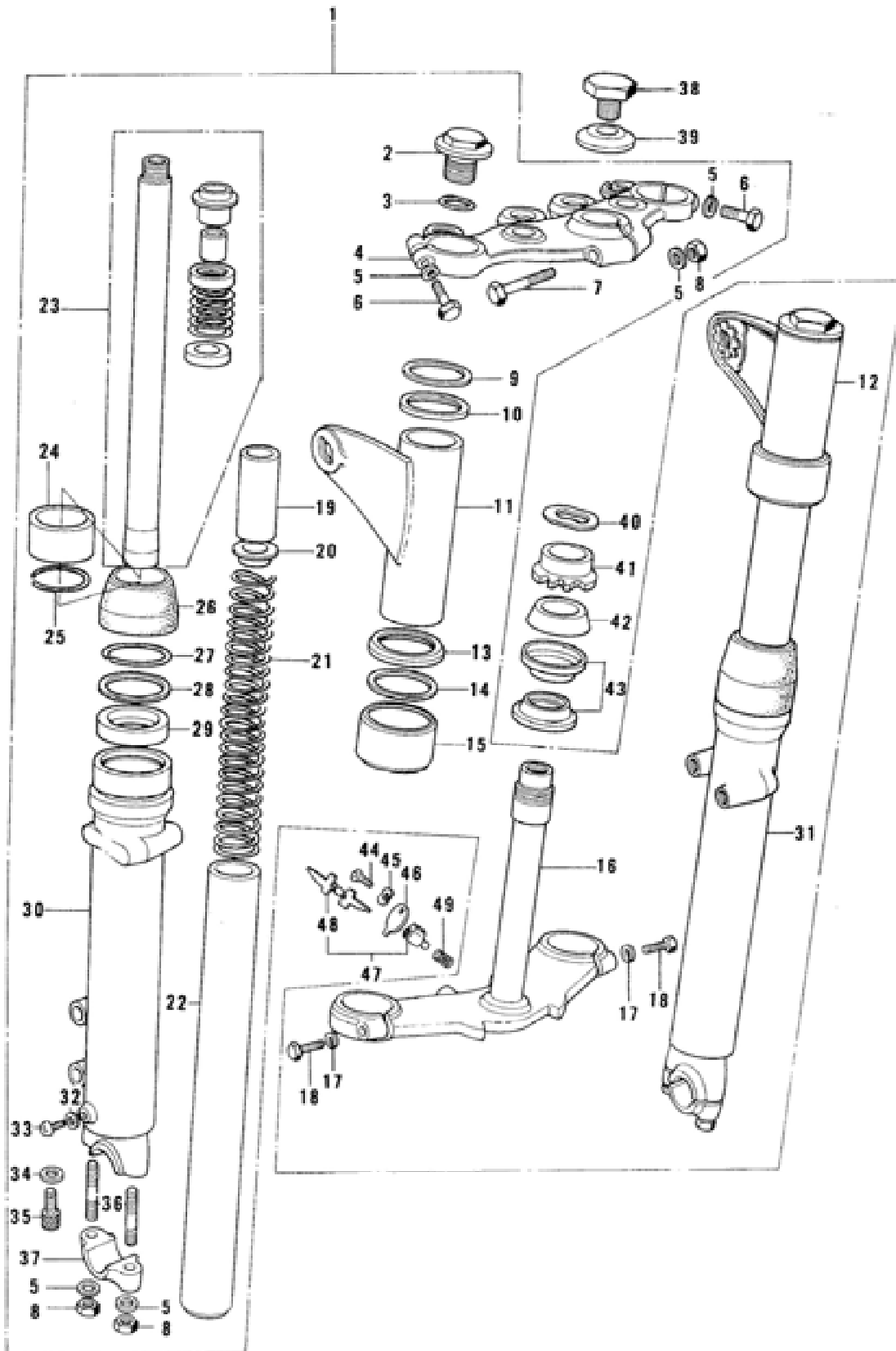


FOOTRESTS, STANDS, BRAKE PEDAL

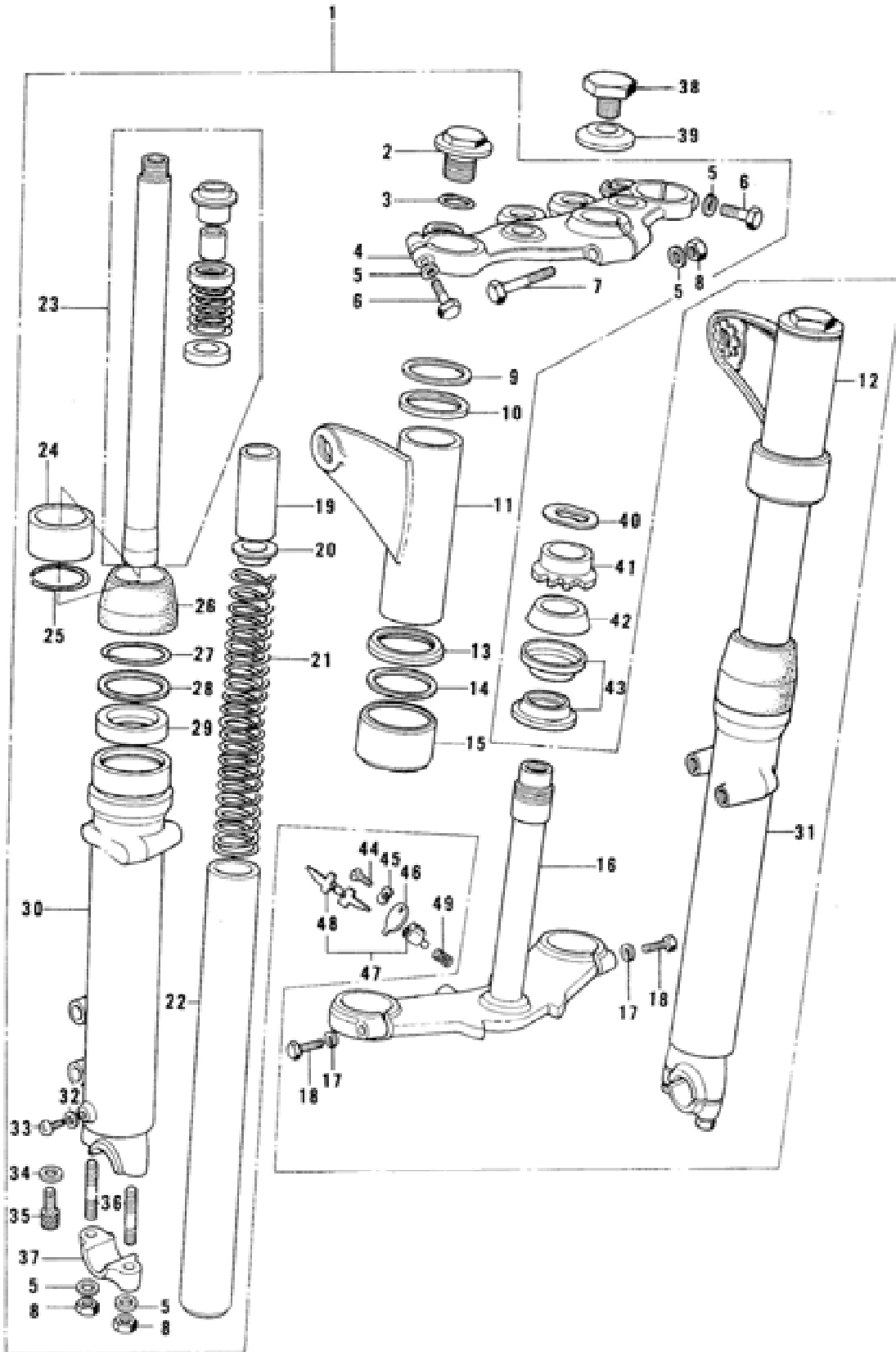
Ref No.	Part No.	Part Name	Quantity	Remarks
1	34028-011	BAR, L.H. footrest	1	
2	92022-204	WASHER, plain	2	
3	34003-038	BRACKET, L.H. footrest bar	1	
4	92043-080	PIN, footrest bar fitting	2	
5	550D2516	PIN, cotter, 2,5 x 16	2	
6	92003-165	BOLT, hex head, 12 x 56	2	
7	461F1200	WASHER, spring, 12 mm	2	
8	313G1200A	NUT, 12 mm	2	
9	34003-039	BRACKET, R.H. footrest bar	1	
10	34028-012	BAR, R.H. footrest	1	
11	92076-027	RUBBER, rear footrest	2	
12	92022-199	WASHER, plain	2	
13	92043-079	PIN, rear footrest, fitting	2	
14	550D2012	PIN, cotter, 2,0 x 12	2	
15	34029-011	BRACKET, rear footrest	2	
16	410B1000	WASHER, plain, 10 mm	2	
17	92019-021	NUT, lock, 10 mm	2	
18	110B0620	BOLT, hex head, 6 x 20	1	
19	310B0600	NUT, 6 mm	1	
20	34011-034	STAND, main	1	
21	92003-150	BOLT, hex head, 12 x 32	2	
22	92019-009	NUT, lock, I-2 mm	2	
23	34023-016	SPRING, main stand	1	
24	34024-039	STAND, side	1	
25	92003-079	BOLT, side stand fitting	1	
26	313B1000	NUT, 10 mm	1	
27	34023-005	SPRING, side stand	1	
28	92075-031	RUBBER, side stand damper	1	
29	43001-047	PEDAL, brake	1	
30	43005-022	SPRING, brake pedal	1	
31	43004-011	SHAFT, brake pedal	1	
32	411B0800	WASHER, plain, 8 mm	1	
33	92019-013	NUT, lock, 8 mm	1	
34	43011-016	ROD, brake	1	
35	43012-002	SPRING, brake rod	1	
36	92015-042	NUT, brake rod adjust	1	
37	92043-064	PIN, brake rod fitting	1	
38	410B0600	WASHER, plain, 6 mm	1	
39	550D2015	PIN, cotter, 2,0 x 15	1	



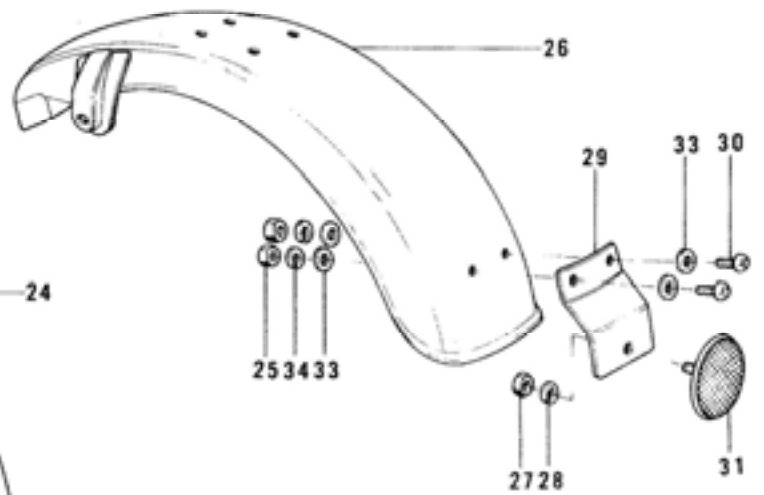
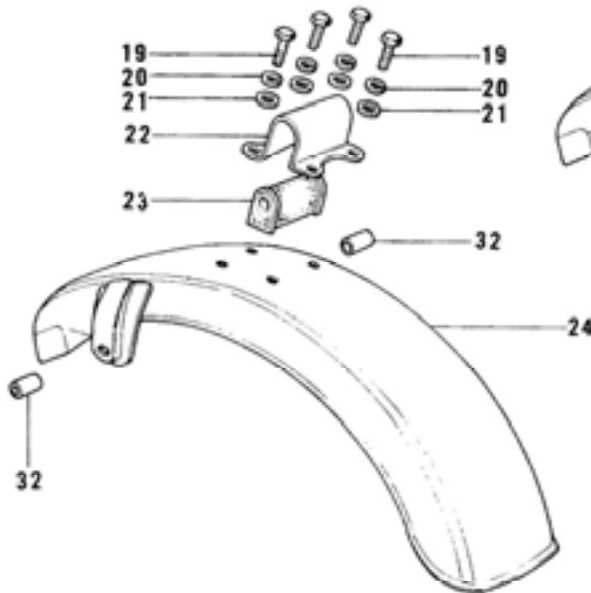
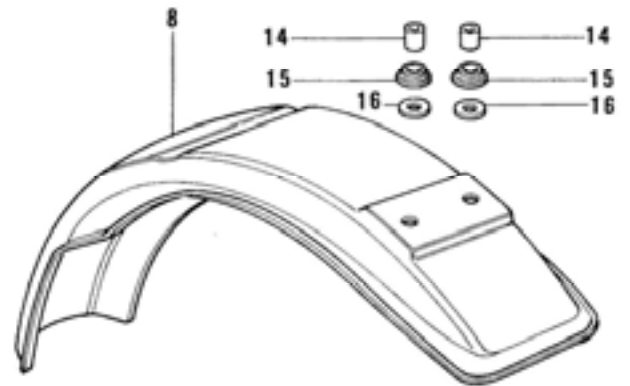
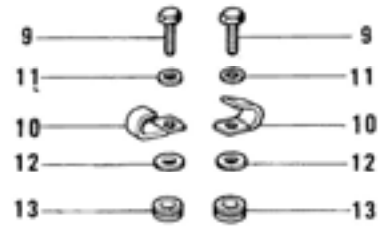
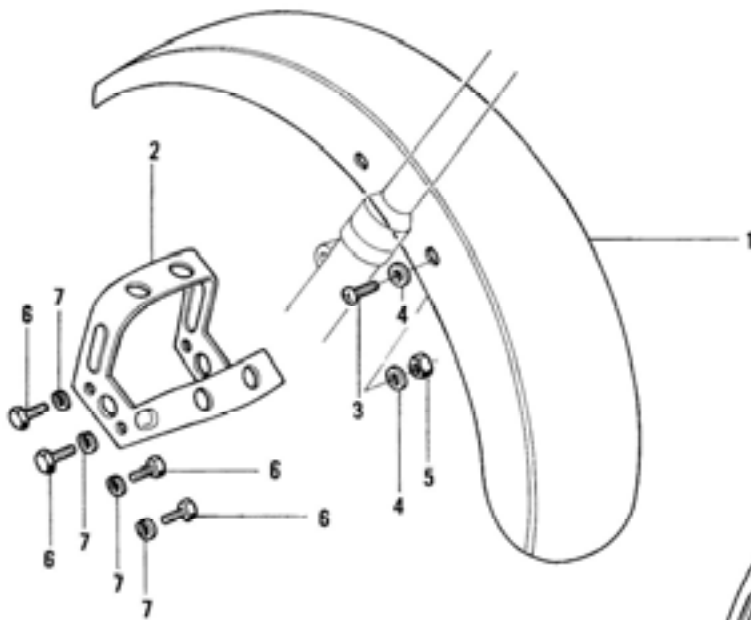
Ref No.	Part No.	Part Name	Quantity	Remarks
1	56003-014	REAR VIEW MIRROR, L.H.	1	
1	56003-018	REAR VIEW MIRROR, L.H.	1	
2	46076-051	LEVER ASSY, clutch	1	
3	92007-047	BOLT, hex head, 6 mm	1	
4	46056-005	NUT, cable adjust lock	1	
5	46055-006	SCREW, cable adjust	1	
6	46094-017	HOLDER, clutch lever	1	
7	410B0600	WASHER, plain, 6 mm	1	
8	110N0625	BOLT, hex head, 6 x 25	1	
9	92017-014	NUT, lock, 6 mm	1	
10	46092-022	LEVER, clutch	1	
11	46019-041	GRIP ASSY, throttle	1	
12	46132-029	CASE ASSY, R.H.	1	
13	220B0522A	SCREW, pan head, 5 x 22	2	
14	220B0535A	SCREW, pan head, 5 x 35	1	
15	46043-006	KNOB, lighting switch	1	
16	220B0305A	SCREW, pan head, 3 x 5	2	
17	46091-033	CASE ASSY, L.H.	1	
18	221B0308A	SCREW, countersunk head, 3 x 8	1	
19	46044-013	SWITCH, lighting, L.H.	1	
20	46043-005	KNOB, signal lamp switch L.H.	1	
21	46027-015	SWITCH ASSY, push button	1	
22	220B0530A	SCREW, pan head, 5 x 30	1	
23	92095-012	WASHER, lock	1	
24	46096-009	LEVER, starter	1	
25	410B0600	WASHER, plain, 6 mm	1	
26	110B0608	BOLT, hex head, 6 x 8	1	
27	46075-028	RUBBER, L.H. grip	1	
28	46006-012	HANDLEBAR, semi-low	1	
29	92007-002	BOLT, handlebar fitting	4	
30	461F0800	WASHER, spring, 8 mm	4	
31	46012-008	HOLDER, upper handlebar	2	
32	56002-022	REAR VIEW MIRROR, R.H.	1	
32	56002-026	REAR VIEW MIRROR, R.H.	1	
33	46012-010	HOLDER, lower handlebar	2	
34	92075-092	DAMPER RUBBER	4	
35	92022-196	WASHER, plain	2	
36	461F1000	WASHER, spring, 10 mm	2	
37	313B1000	NUT, 10 mm	2	
38	92041-005	PIN, cotter	2	



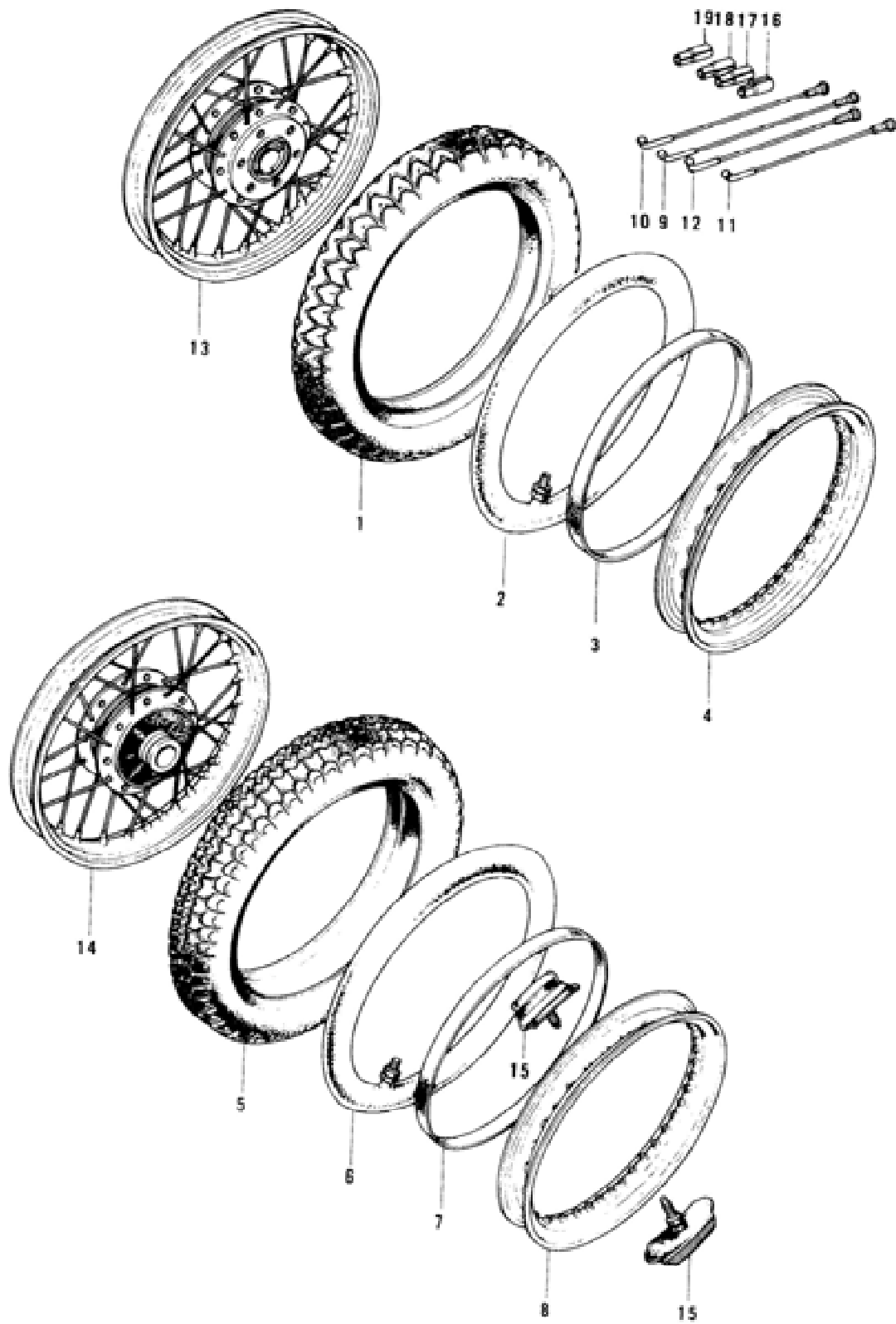
Ref No.	Part No.	Part Name	Quantity	Remarks
1	44001-176	FRONT FORK ASSY	1	
1	44001-188	FRONT FORK ASSY	1	
2	44062-003	BOLT, fork top fitting	2	
3	44046-015	"O" RING, fork top	2	
4	44039-048	HEAD, steering stern	1	
5	461F0800	WASHER, spring, 8 mm	7	
6	44041-049	BOLT, hex head, 8 mm	2	
7	44041-042	BOLT, hex head, 8 mm	1	
8	92019-022	NUT, lock, 8 mm	5	
9	44045-041	GASKET, fork cover	2	
10	44043-048	WASHER, fork cover	2	
11	44033-068	COVER, L.H. fork	1	
12	44034-068	COVER, R.H. fork	1	
13	44032-008	WASHER, fork cover	1	
14	44045-038	GASKET, fork cover	1	
15	44064-025	GUIDE, fork cover	2	
16	44037-096	STEM, steering	1	
16	44037-103	STEM, steering	1	
17	461F1200	WASHER, spring, 12 mm	2	
18	92003-064	BOLT, hex head, 12 x 36	2	
19	44028-023	SPACER, fork spring guide	2	
20	44029-019	GUIDE, fork spring	2	
21	44026-031	SPRING, fork	2	
22	44013-032	TUBE, fork inner	2	
23	44022-038	CYLINDER, fork	2	
24	44018-009	PISTON, fork	2	
25	44044-019	CIRCLIP, fork piston	2	
26	44010-032	DUST SHIELD	2	
27	44044-015	CIRCLIP	2	
28	44043-044	WASHER, oil seal fitting	2	
29	44009-024	OIL SEAL	2	
30	44005-063	TUBE, L.H. fork outer	1	
31	44006-061	TUBE, R.H. fork outer	1	
32	44045-002	GASKET, drain plug	2	
33	220B0408A	SCREW, pan head, 4 x 8	2	
34	44045-034	GASKET, fork cylinder bolt	2	
35	44041-040	BOLT, fork cylinder	2	
36	172G0835	STUD, 8 x 35	4	
37	44063-014	HOLDER, front axle	2	
38	92007-031	BOLT, steering stern head	1	
39	92022-230	WASHER, steering stern head holt	1	
40	46100-003	WASHER, wave	1	
41	92090-007	NUT, steering stern lock	1	



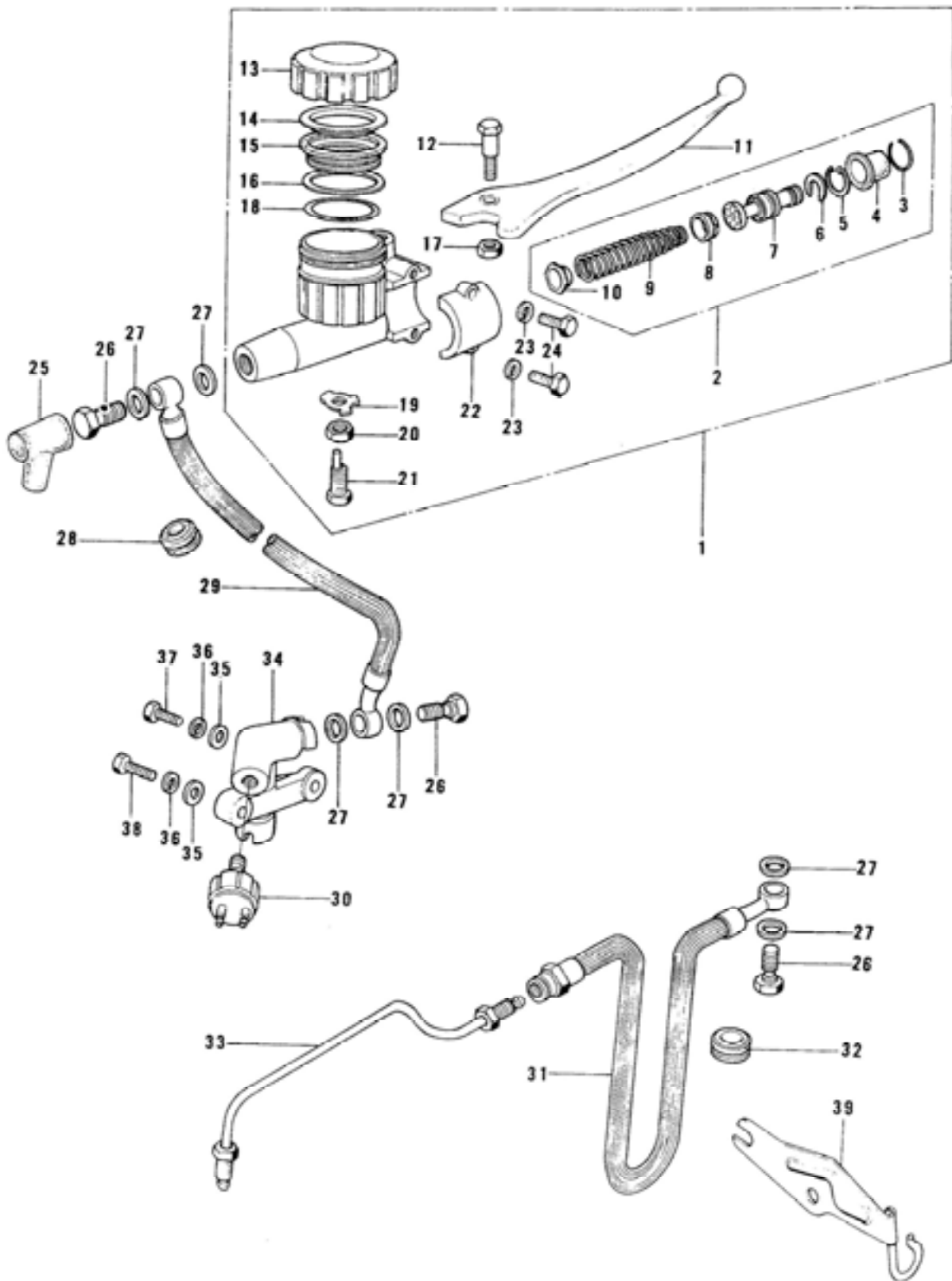
Ref No.	Part No.	Part Name	Quantity	Remarks
42	46098-010	CAP, steering stern	1	
43	92047-006	RACE INNER, steering hall	2	
44	92008-007	SCREW, tapping	1	
45	92097-003	WASHER, wave	1	
46	27031-004	CAP, steering lock	1	
46	27031-005	CAP, steering lock	1	
47	27016-038	LOCK ASSY, steering	1	
48	27008-055-11	KEY SET, #911	1	
48	27008-055-12	KEY SET, #912	1	
48	27008-055-13	KEY SET, #913	1	
48	27008-055-14	KEY SET, #914	1	
48	27008-055-15	KEY SET, #915	1	
48	27008-055-16	KEY SET, #916	1	
48	27008-055-17	KEY SET, #917	1	
48	27008-055-18	KEY SET, #918	1	
48	27008-055-19	KEY SET, #919	1	
48	27008-055-20	KEY SET, #920	1	
48	27008-055-21	KEY SET, #921	1	
48	27008-055-22	KEY SET, #922	1	
48	27008-055-23	KEY SET, #923	1	
48	27008-055-24	KEY SET, #924	1	
48	27008-055-25	KEY SET, #925	1	
49	27032-001	SPRING, steering lock	1	



Ref No.	Part No.	Part Name	Quantity	Remarks
1	35004-085	FENDER, front	1	
2	35009-029	BRACE, front fender	1	
3	220E0614	SCREW, pan head, 6 x 14	4	
4	411B0600	WASHER, plain, 6 mm	8	
5	92017-014	NUT, lock, 6 mm	4	
6	110B0816	BOLT, hex head, 8 x 16	4	
7	461F0800	WASHER, spring, 8 mm	4	
8	35022-076	FENDER, rear	1	
9	110B0636	BOLT, hex head, 6 x 36	2	
10	92037-113	CLAMP, harness	2	
11	411B0600	WASHER, plain, 6 mm	2	
12	92022-228	WASHER, plain	4	O.D.=24 mm
13	92075-121	DAMPER RUBBER, A	2	
14	92027-241	COLLAR	2	
15	92075-133	DAMPER RUBBER, B	2	
16	92022-227	WASHER, plain	2	O.D.=27 mm
17	461F0600	WASHER, spring, 6 mm	2	
18	310B0600	NUT, 6 mm	2	
19	110B0614	BOLT, hex head, 6 x 14	4	
20	461F0600	WASHER, spring, 6 mm	4	
21	411B0600	WASHER, plain, 6 mm	4	
22	35026-010	BRACKET, rear fender	1	
23	92075-228	DAMPER RUBBER	1	
24	35022-141	FENDER, rear	1	
25	310B0600	NUT, 6 mm	2	
26	35022-143	FENDER, rear	1	
27	310B0500A	NUT, 5 mm	1	
28	461F0500	WASHER, spring, 5 mm	1	
29	28013-008	BRACKET, reflex reflector	1	
30	220B0614	SCREW, pan head, 6 x 14	2	
31	28012-015	REFLECTOR, rear reflex	1	
32	92027-259	COLLAR	2	L=26 mm
33	411B0600	WASHER, plain, 6 mm	4	
34	461F0600	WASHER, spring, 6 mm	2	

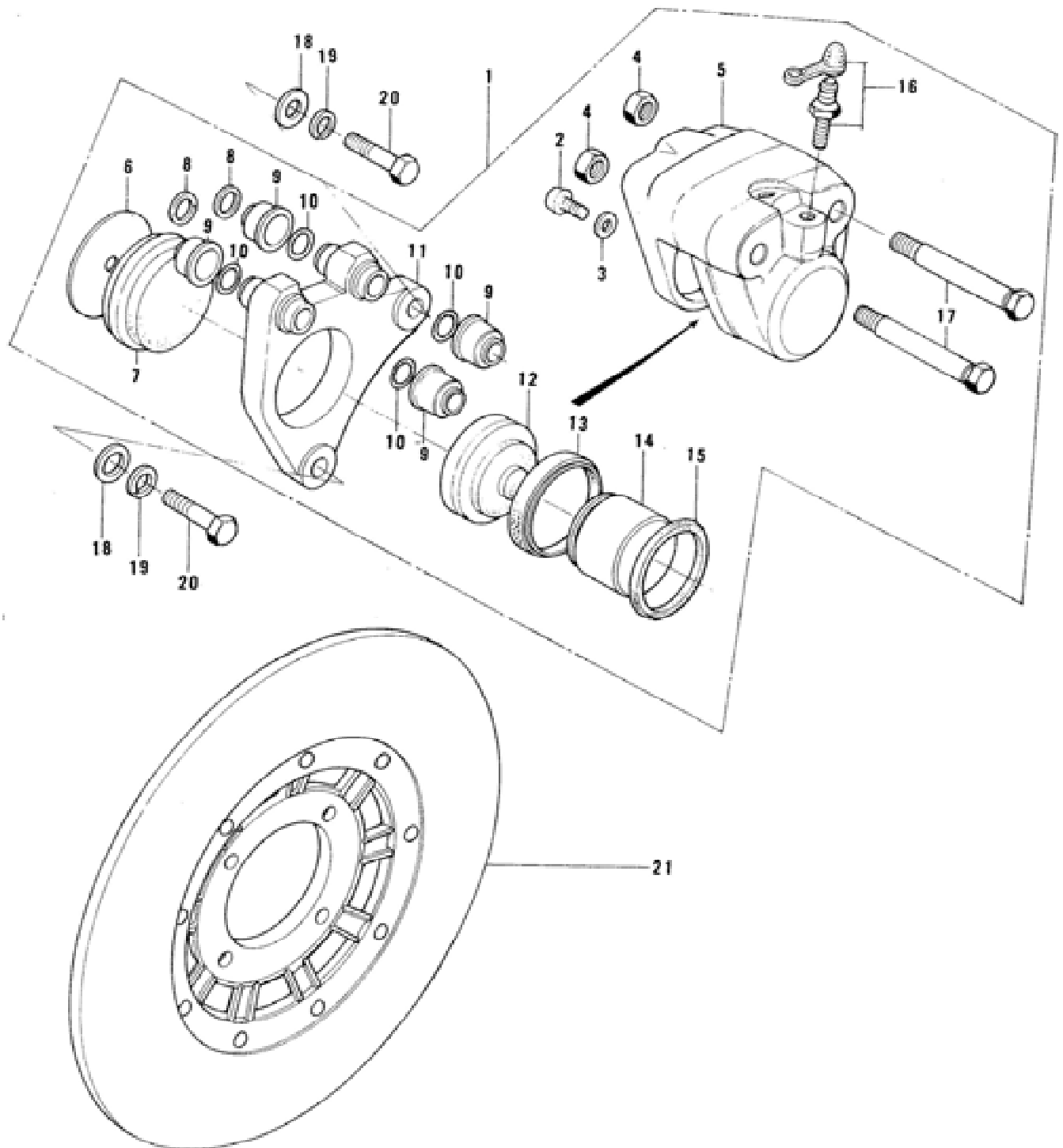


Ref No.	Part No.	Part Name	Quantity	Remarks
1	41021-040	TIRE, 3,25-19 4PR	1	DUNLOP F6B
2	41022-030	TUBE, tire, 3,25-19	1	
3	41023-015	BAND, rim	1	
4	41025-085	RIM, 1.85B x 19W	1	
5	41021-041	TIRE, 4,00-18 4PR	1	DUNLOP K87 MARK II M
6	41022-031	TUBE, tire, 4,00-18	1	
7	41023-017	BAND, rim	1	
8	41025-058	RIM, 2,15B x 18W	1	
9	41027-085	SPOKE ASSY, front inner	20	184,5 mm x 97°
10	41028-084	SPOKE ASSY, front outer	20	184 mm x 83°
11	41027-047	SPOKE ASSY, rear inner	20	147,5 mm x 100°
12	41028-046	SPOKE ASSY, rear outer	20	147 mm x 81°
13	41074-047	WHEEL ASSY, front	1	
14	42048-021	WHEEL ASSY, rear	1	
15	41024-008	PROTECTOR, bead	2	2,15B
16	41075-001	WEIGHT, balance, 10 g	0	
17	41075-002	WEIGHT, balance, 20 g	0	
18	41075-003	WEIGHT, balance, 30 g	0	
19	41075-004	WEIGHT, balance, 5 g	0	



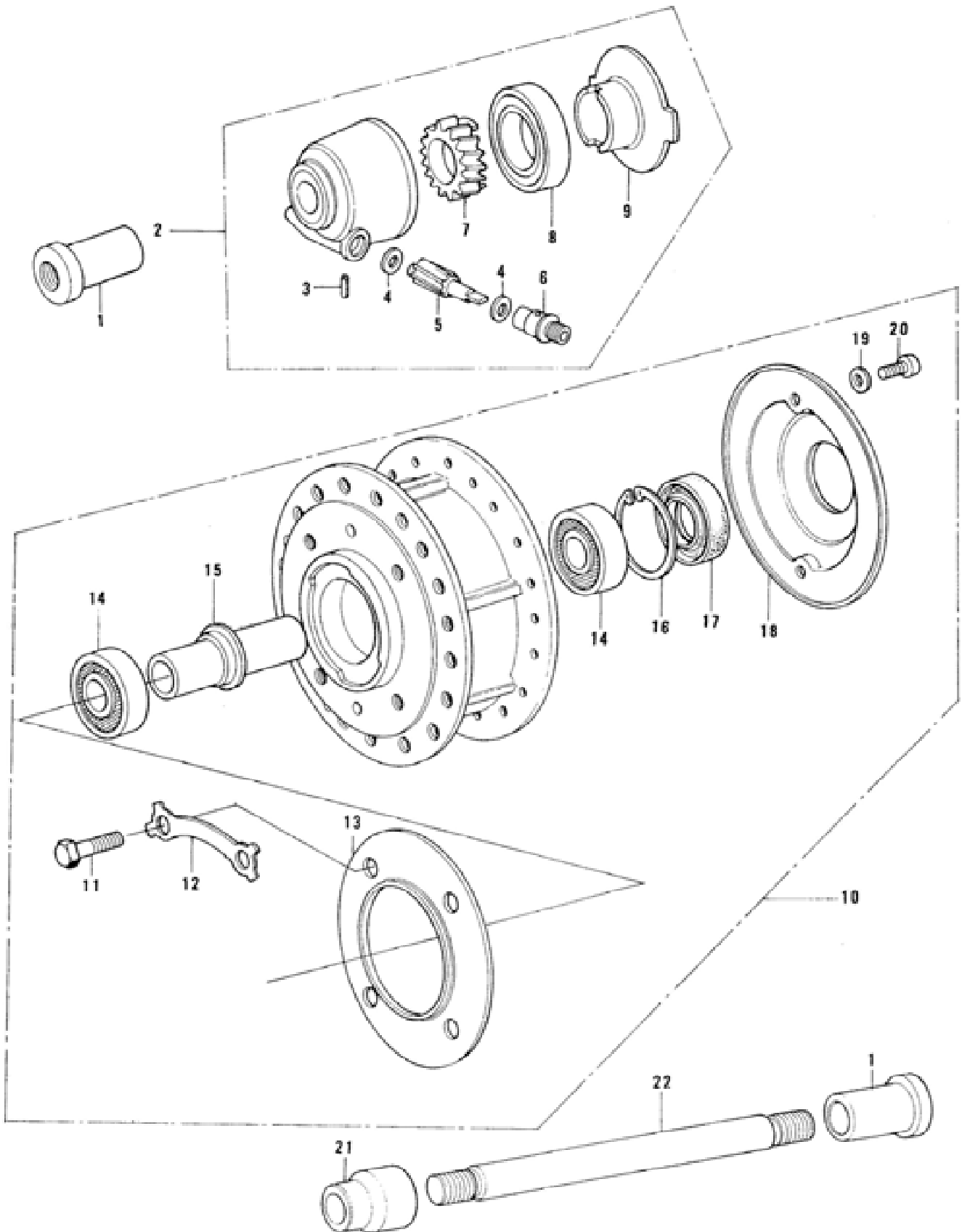
DISC BRAKE EQUIPMENT A

Ref No.	Part No.	Part Name	Quantity	Remarks
1	43015-020	CYLINDER ASSY, master	1	
2	43073-001	REPAIR SET, master cylinder	1	
3	43025-001	STOPPER, dust cover	1	
4	43024-001	DUST COVER	1	
5	481J1800	CIRCLIP, 18 mm	1	
6	43022-001	STOPPER	1	
7	43072-001	PISTON ASSY	1	
8	43019-001	CUP, primary	1	
9	43018-001	SPRING ASSY, return	1	
10	43017-001	VALVE ASSY, check	1	
11	43029-003	VALVE ASSY, check	1	
12	43033-004	BOLT, handle lever pivot	1	
13	43026-003	CAP, oil cup	1	
14	43027-001	PLATE, diaphragm	1	
15	43028-001	DIAPHRAGM	1	
16	43053-003	RING, SEAL	1	
17	312N0600	NUT, 6 mm	1	
18	43079-001	"O" RING	1	
19	43031-001	WASHER, lock	1	
20	313N0800	NUT, 8 mm	1	
21	43030-003	BOLT, lever adjust	1	
22	43034-001	HOLDER, master cylinder	1	
23	411B0600	WASHER, plain, 6 mm	2	
24	110N0625	BOLT, hex head, 6 x 25	2	
25	43069-002	DUST COVER	1	
26	43066-001	BOLT, oil	3	
27	43067-001	WASHER, oil bolt	6	
28	43064-005	DAMPER RUBBER	1	
29	43059-010	HOSE, master cylinder brake	1	
30	43065-001	SWITCH ASSY, front brake	1	
31	43059-002	HOSE, caliper brake	1	
32	43064-001	DAMPER RUBBER	1	
33	43060-023	PIPE, bridge	1	
34	43061-002	JOINT, three way	1	
35	411B0600	WASHER, plain, 6 mm	2	
36	461F0600	WASHER, spring, 6 mm	2	
37	110N0622	BOLT, hex head, 6 x 22	1	
38	110N0632	BOLT, hex head, 6 x 32	1	
39	43063-001	BRACKET, brake hose	1	

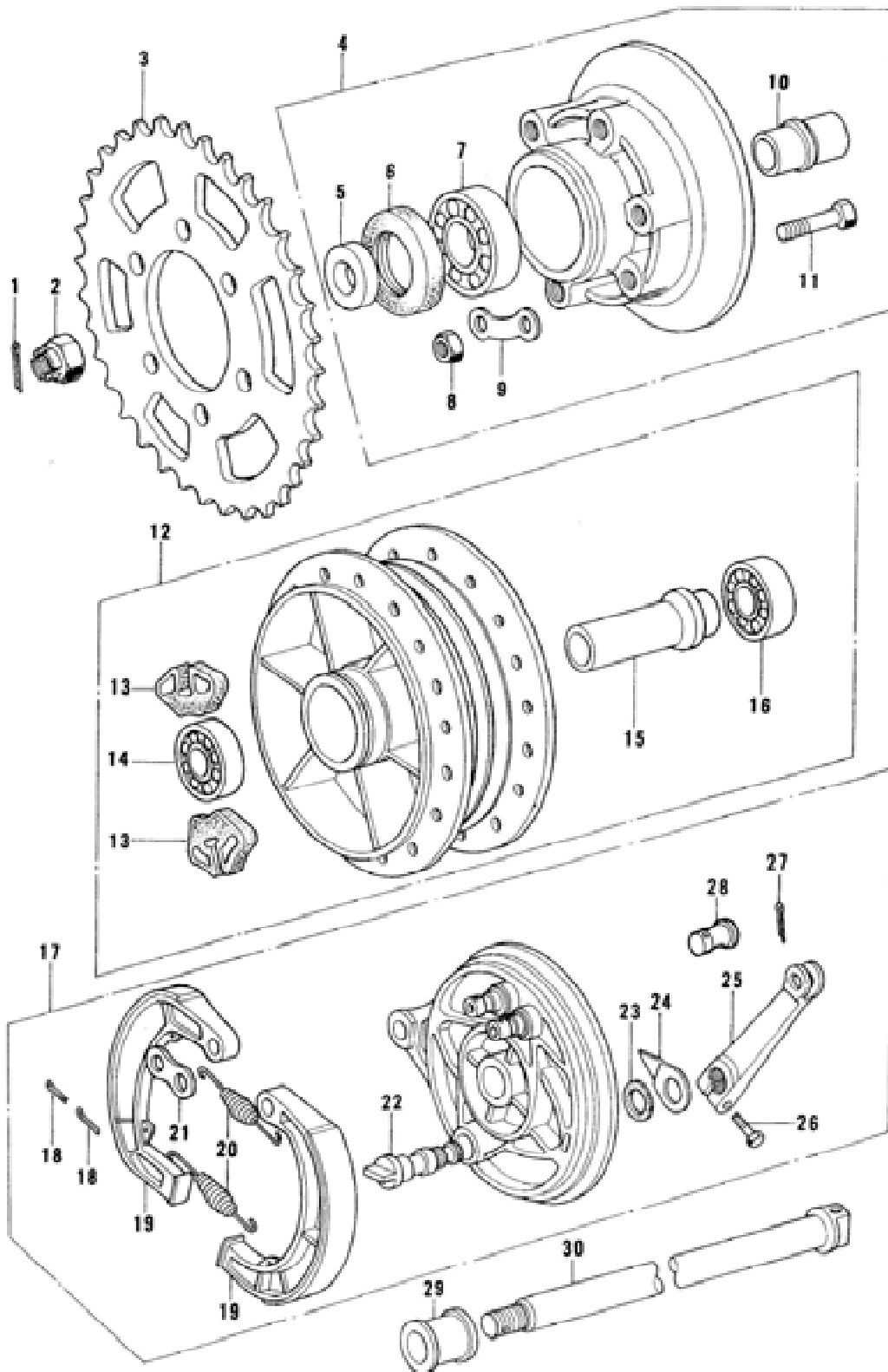


DISC BRAKE EQUIPMENT B

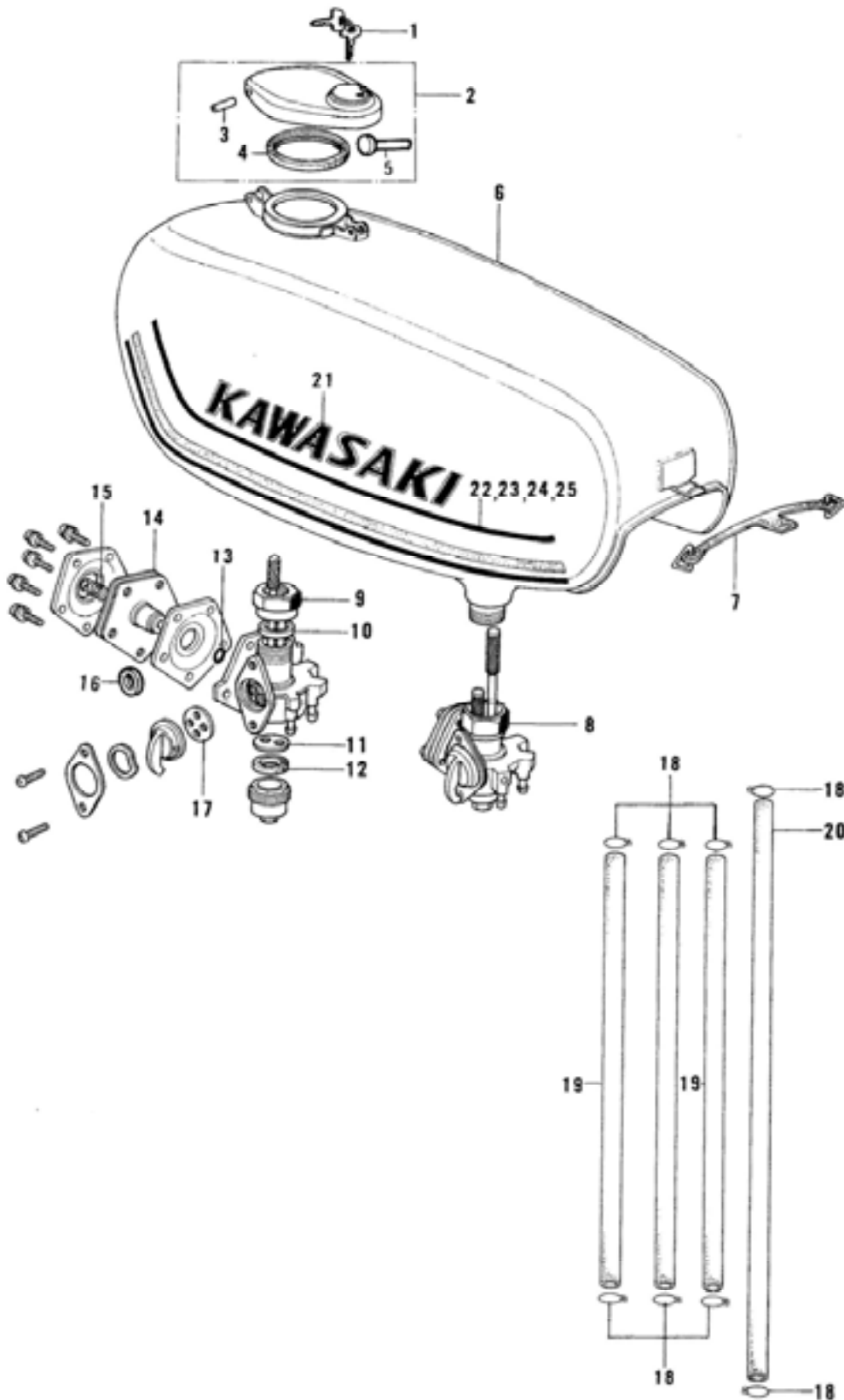
Ref No.	Part No.	Part Name	Quantity	Remarks
1	43041-018	CALIPER ASSY	1	
2	220B0612	SCREW, pan head, 6 x 12	1	
3	461F0600	WASHER, spring, 6 mm	1	
4	315B1000	NUT, 10 mm	2	
5	43042-008	BODY, caliper	1	
6	43040-004	SPACER	1	
7	43051-007	PAD B	1	
8	43088-002	PLUG	2	
9	43052-005	DUST SHIELD	4	
10	43053-006	"O" RING	4	
11	43044-008	HOLDER, caliper	1	
12	43050-006	PAD A	1	
13	43054-003	DUST SHIELD, rubber	1	
14	43048-006	PISTON	1	
15	43049-002	SEAL, piston	1	
16	43085-001	BREEDER	1	
17	43045-006	BOLT	2	
18	410B1000	WASHER, plain, 10 mm	2	
19	461F1000	WASHER, spring, 10 mm	2	
20	92007-032	BOLT, hex head, 10 mm	2	
21	41080-005	DISC COMPLETE	1	



Ref No.	Part No.	Part Name	Quantity	Remarks
1	41069-033	COLLAR, front axle	2	
2	41078-008	GEAR BOX ASSY	1	
3	41082-001	SPRING, pin	1	
4	41063-001	WASHER, thrust	2	
5	41060-017	PINION, speedometer	1	
6	41062-005	BUSHING, speedometer cable	1	
7	41059-026	GEAR, speedometer	1	
8	654A304208	OIL SEAL, #30428	1	
9	41064-013	RECEIVER, speedometer gear	1	
10	41034-041	DRUM ASSY, front brake	1	
11	92001-158	BOLT, hex head, 10 mm	4	
12	92088-023	WASHER, lock	2	
13	41042-014	DUST COVER, L.H.	1	
14	601B6203	BEARING, ball, #6203	2	
15	41039-028	SPACER, front hub bearing	1	
17	654A254008	OIL SEAL, #25408	1	
18	41042-016	DUST COVER, R.H.	1	
19	410B0500	WASHER, plain, 5 mm	2	
20	220B0512A	SCREW, pan head, 5 x 12	2	
21	41069-032	COLLAR, front axle	1	
22	41068-049	AXLE, front	1	

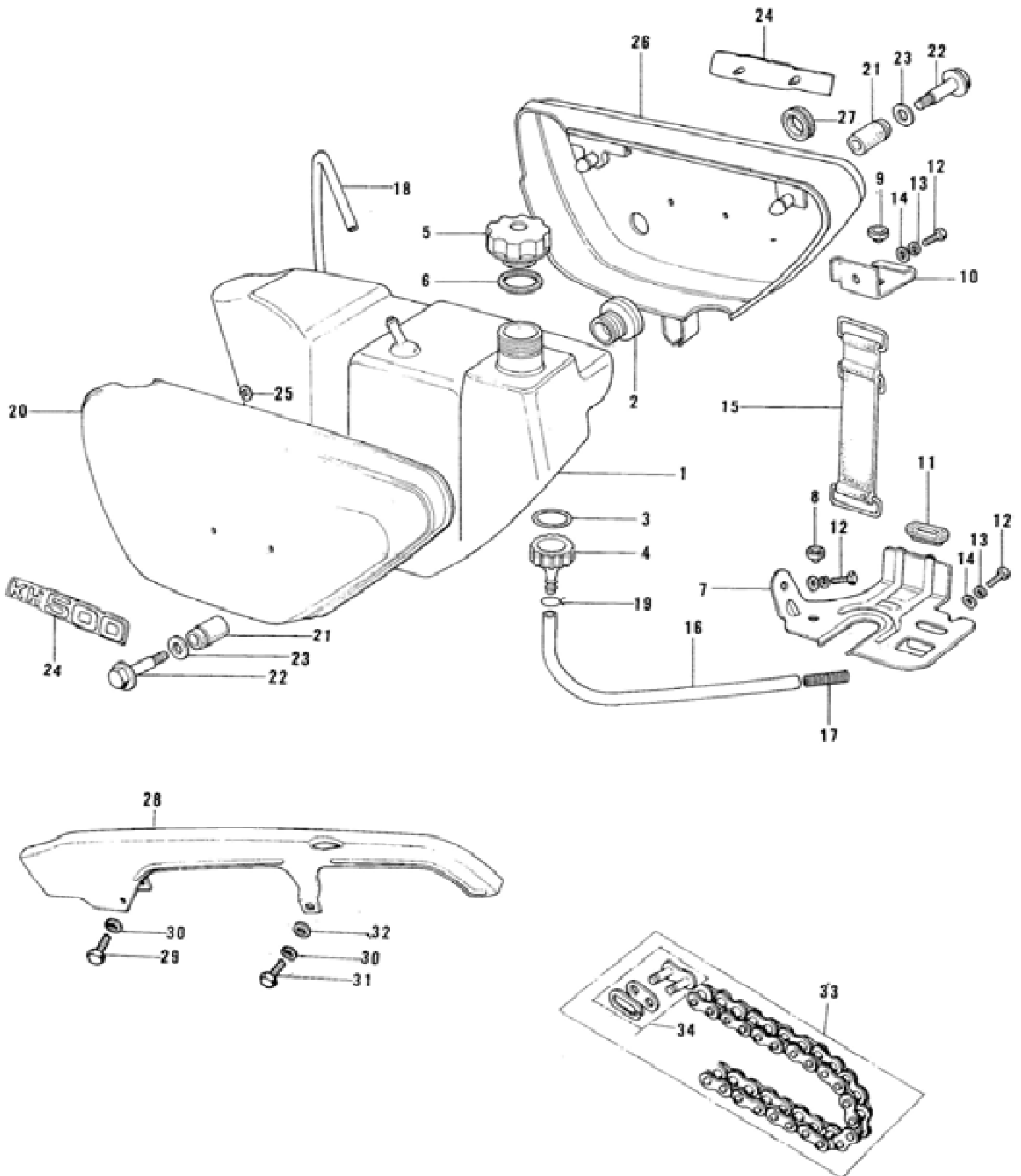


Ref No.	Part No.	Part Name	Quantity	Remarks
1	550D4035	PIN, cotter, 4,0 x 35	1	
2	92015-055	NUT, 16 mm	1	
3	42041-046	REAR SPROCKET, 45T	1	STD
3	42041-047	REAR SPROCKET, 43T	1	Option
3	42041-077	REAR SPROCKET, 47T	1	Option
4	42008-014	COUPLING ASSY, rear hub	1	
5	42037-022	COLLAR, rear hub coupling	1	
6	92050-027	OIL SEAL, #39627	1	
7	601B6305	BEARING, ball, #6305	1	
8	42045-005	NUT, 10 mm	6	
9	92088-007	WASHER, lock	3	
10	42036-014	SLEEVE, rear hub coupling	1	
11	92003-015	BOLT, rear sprocket fitting	6	
12	42005-015-80	DRUM ASSY, rear brake	1	Buff Finish
13	42014-014	DAMPER, rear hub shock	6	
14	601B6303Z	BEARING, ball, #6303Z	1	
15	42010-014	SPACER, rear hub bearing	1	
16	601B6205Z	BEARING, ball, #6205Z	1	
17	42006-061-80	PANEL ASSY, rear brake	1	Buff Finish
18	550D3025	PIN, cotter, 3,0 x 25	2	
19	41048-013	SHOE, brake	2	
20	41049-012	SPRING, brake shoe	2	
21	41045-006	WASHER, brake shoe	1	
22	41050-017	CAM SHAFT, brake	1	
23	41051-003	DUST SHIELD, brake cam	1	
24	41085-004	INDICATOR, brake shoe	1	
25	42029-024	LEVER, rear brake cam	1	
26	110B0825	BOLT, hex head, 8 x 25	1	
27	550D2525	PIN, cotter, 2,5 x 25	1	
28	92043-093	PIN, brake lever	1	
29	42032-017	COLLAR, rear axle	1	
30	42031-053	AXLE, rear	1	



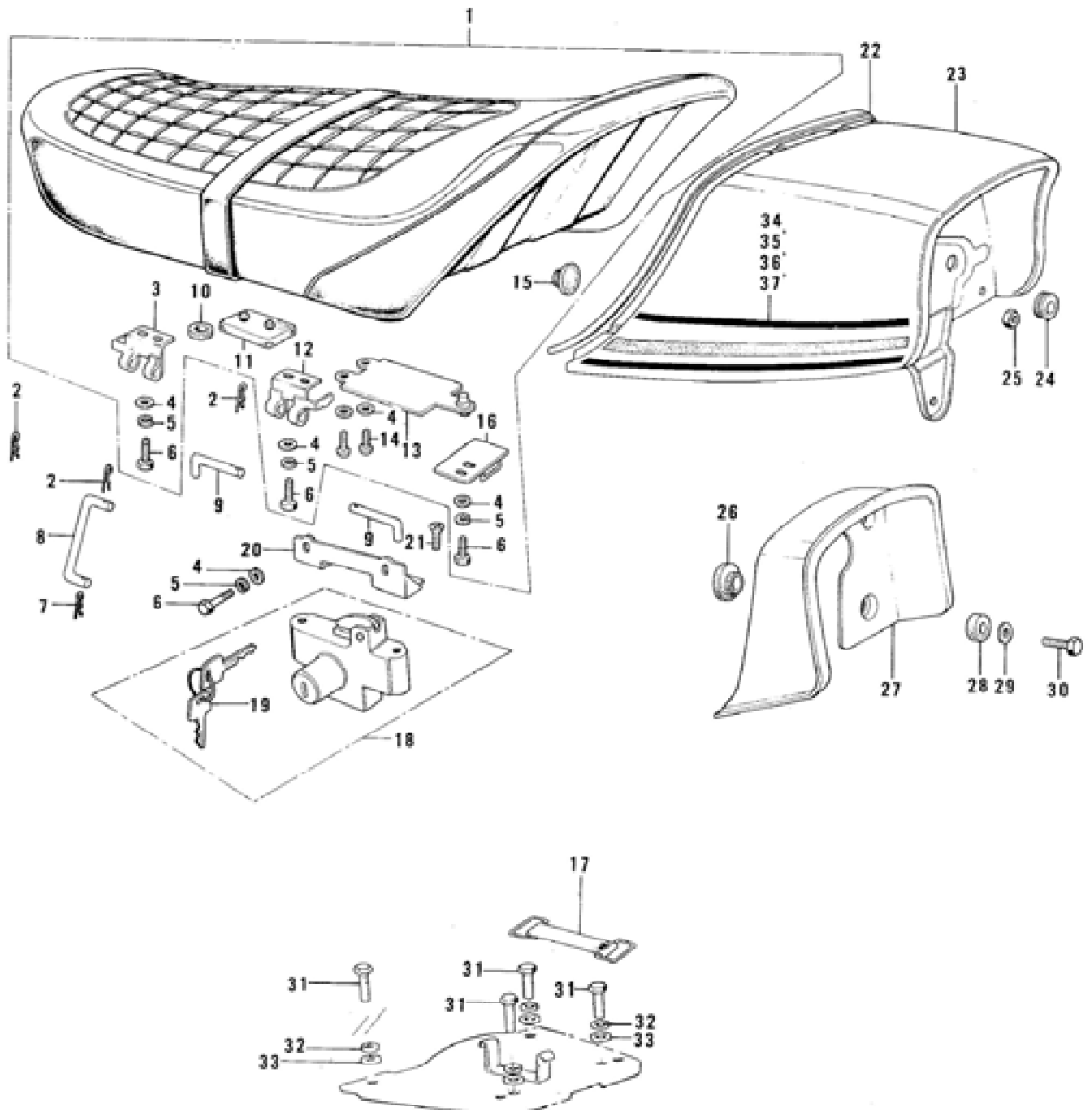
Ref No.	Part No.	Part Name	Quantity	Remarks
1	27008-055-11	KEY SET, #911	1	
1	27008-055-12	KEY SET, #912	1	
1	27008-055-13	KEY SET, #913	1	
1	27008-055-14	KEY SET, #914	1	
1	27008-055-15	KEY SET, #915	1	
1	27008-055-16	KEY SET, #916	1	
1	27008-055-17	KEY SET, #917	1	
1	27008-055-18	KEY SET, #918	1	
1	27008-055-19	KEY SET, #919	1	
1	27008-055-20	KEY SET, #920	1	
1	27008-055-21	KEY SET, #921	1	
1	27008-055-22	KEY SET, #922	1	
1	27008-055-23	KEY SET, #923	1	
1	27008-055-24	KEY SET, #924	1	
1	27008-055-25	KEY SET, #925	1	
2	51048-012	CAP ASSY, fuel tank	1	
3	92043-127	PIN, hinge	1	
4	51059-008	GASKET, fuel tank cap	1	
5	92043-126	PIN, hook	1	
6	51001-108-3T	TANK, fuel, Deep Burgundy	1	
6	51001-108-3U	TANK, fuel, copper	1	
7	92072-050	BAND, fuel, tank	1	
8	51023-040	COCK ASSY, fuel	1	
9	51035-005	NUT, fuel cock joint	1	
10	92065-054	GASKET, fuel cook joint	1	
11	51038-005	STRAINER, fuel	1	
12	51037-007	GASKET, fuel cock cup	1	
13	92055-028	"O" RING	1	
14	51069-001	DIAPHRAGM, fuel cock	1	
15	92081-048	SPRING, fuel cock diaphragm	1	
16	92065-052	GASKET, rubber, 7 mm	1	
17	92065-055	GASKET, fuel cock lever	1	
18	92037-010	CLAMP, pipe	8	
19	92059-090	PIPE	3	L=160 mm
20	92059-073	PIPE	1	L=220 mm
21	*56014-061-SP	DECAL, fuel tank	2	
22	*56027-328-SP	DECAL, L.H. fuel tank stripe	1	Use for Copper Color
23	*56027-329-SP	DECAL, R.H. fuel tank stripe	1	
24	*56027-330-SP	DECAL, L.H. fuel tank stripe	1	Use for Deep Burgundy Color
25	*56027-331-SP	DECAL, R.H. fuel tank stripe	1	

OIL TANK, SIDE COVER, CHAIN COVER, CHAIN

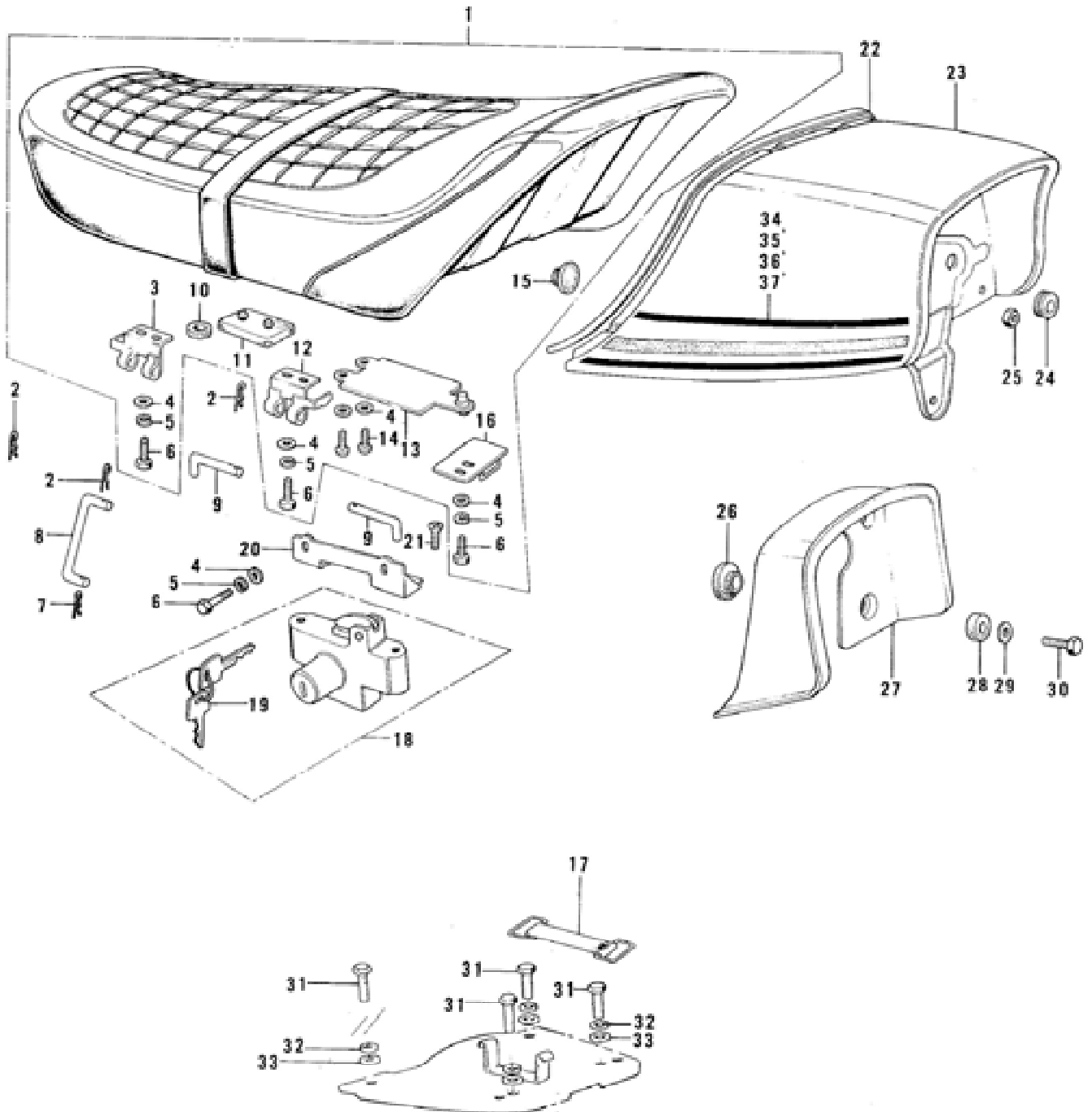


OIL TANK, SIDE COVER, CHAIN COVER, CHAIN

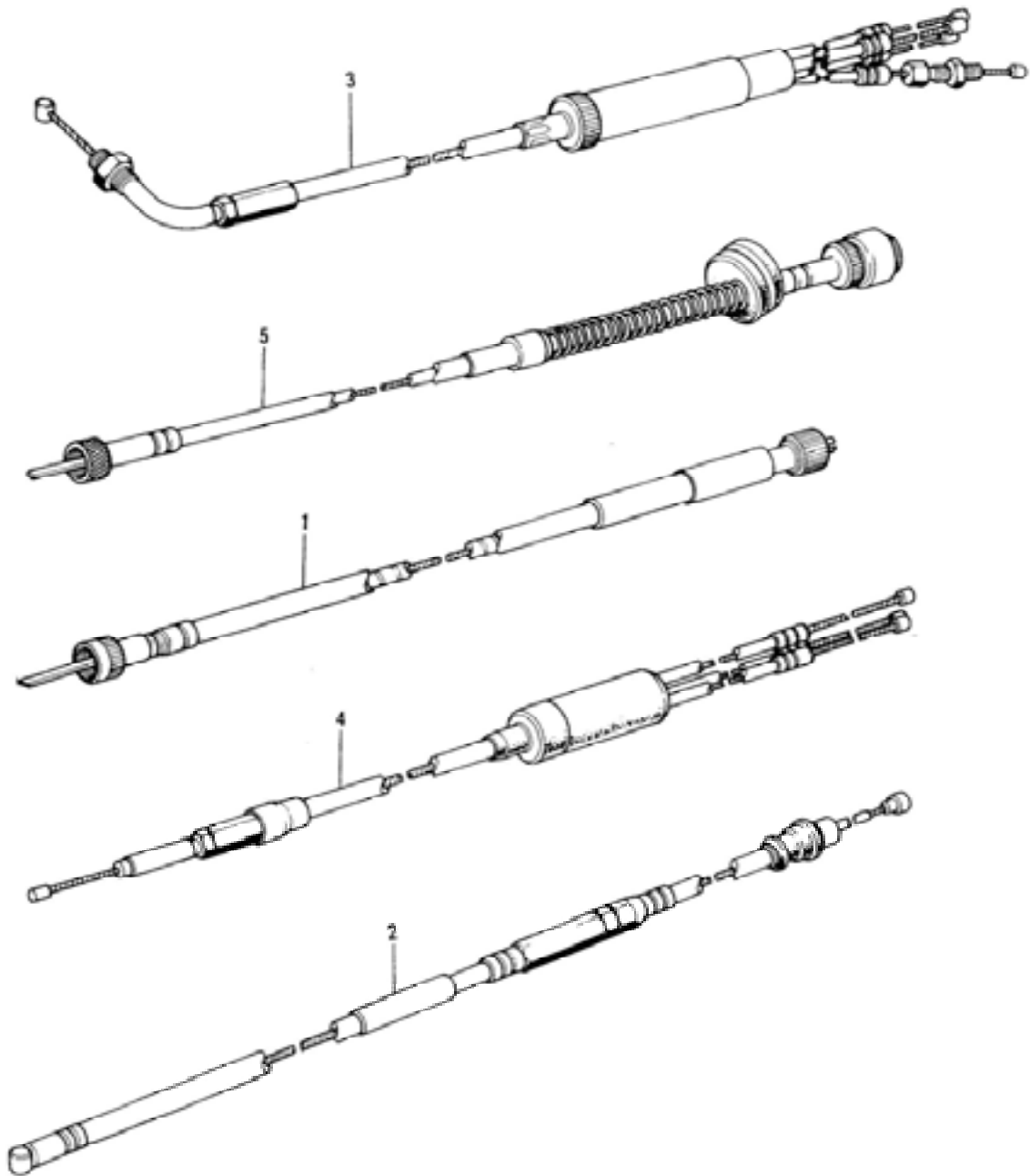
Ref No.	Part No.	Part Name	Quantity	Remarks
1	52001-034	TANK, oil	1	
2	52015-005	GAUGE, oil level	1	
3	670B2015	"O" RING, 15 mm	1	
4	52020-001	FILTER, oil	1	
5	52003-019	CAP, oil tank	1	
6	92065-085	GASKET, oil tank cap	1	
7	31101-002	PLATE, oil tank fitting lower	1	
8	92075-183	DAMPER RUBBER, lower plate	1	
9	92075-078	DAMPER RUBBER, battery	1	
10	32101-008	PLATE, oil tank fitting upper	1	
11	92075-166	DAMPER RUBBER, lower plate	1	
12	110B0614	BOLT, hex head, 6 x 14	3	
13	461F0600	WASHER, spring, 6 mm	3	
14	411B0600	WASHER, plain, 6 mm	3	
15	32100-017	BAND, oil tank	1	
16	92059-082	PIPE, oil tank	1	
17	92081-027	SPRING, coil	1	
18	700Q05600	TUBE, vinyl, 5 x 600	1	
19	92037-010	CLAMP, pipe	1	
20	36001-037-3T	COVER, L.H. SIDE, Deep Burgundy	1	
20	36001-037-3U	COVER, L.H. SIDE, Copper	1	
21	92075-184	DAMPER RUBBER, side cover	2	
22	92007-034	BOLT, side cover fitting	2	
23	411B0800	WASHER, plain, 8 mm	2	
24	56018-213	EMBLEM, side cover	2	
25	92018-004	NUT, 5 mm	4	
26	36007-032-3T	COVER, R.H. SIDE, Deep Burgundy	1	
26	36007-032-3U	COVER, R.H. SIDE, Copper	1	
27	92071-065	GROMMET, R.H. side cover	1	
28	36014-053	COVER, chain	1	
29	110N0650	BOLT, hex head, 6 x 50	1	
30	461F0600	WASHER, spring, 6 mm	2	
31	110N0614	BOLT, hex head, 6 x 14	1	
32	411D0600	WASHER, plain, 6 mm	1	
33	92057-038	DRIVE CHAIN ASSY	1	106 Links
34	92058-006	JOINT ASSY, drive chain	1	



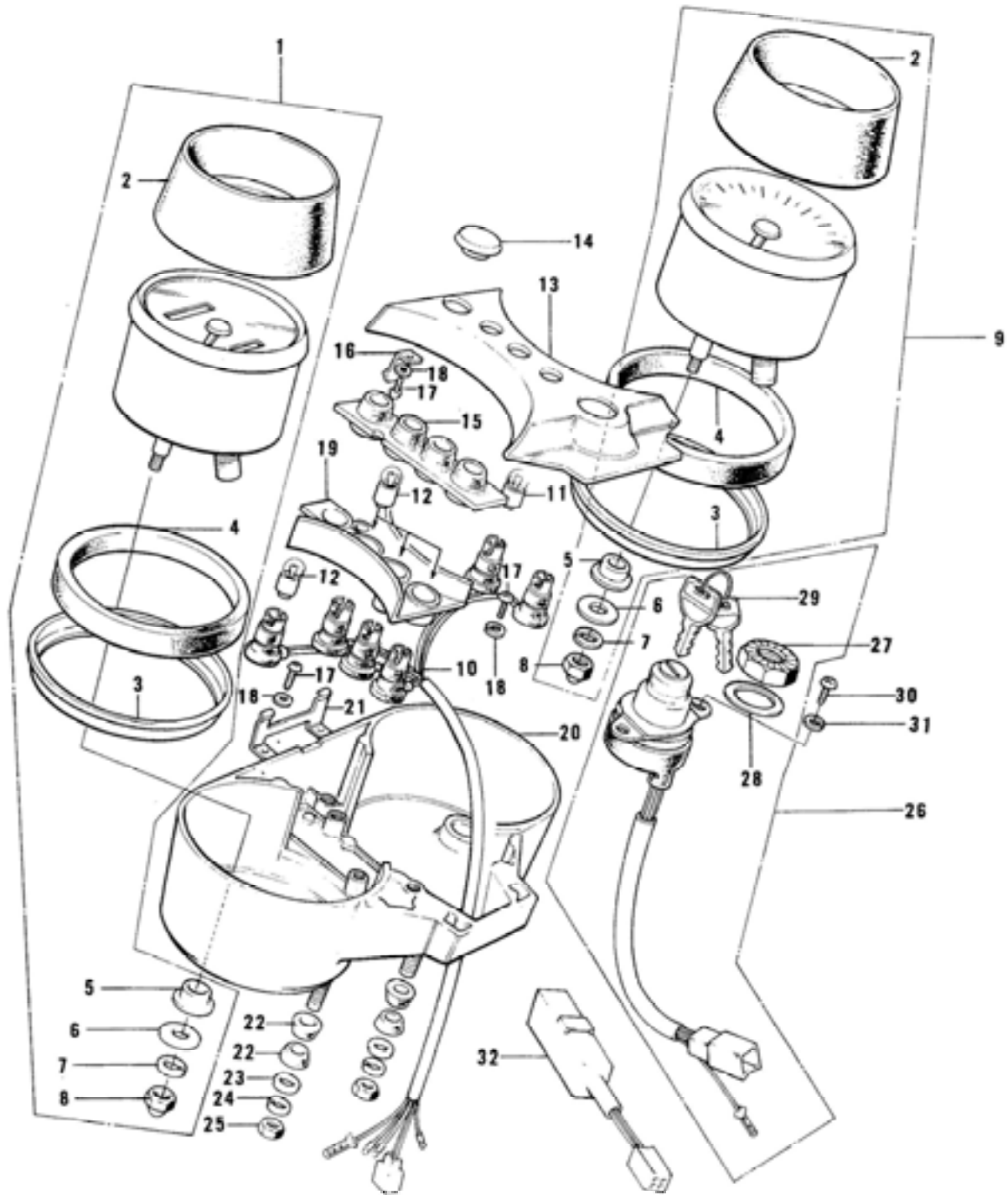
Ref No.	Part No.	Part Name	Quantity	Remarks
1	53001-123	SEAT ASSY, dual	1	
2	92041-003	PIN, cotter	3	
3	53009-033	HINGE, front	1	
4	410B0600	WASHER, plain, 6 mm	11	
5	461F0600	WASHER, spring, 6 mm	8	
6	110B0614	BOLT, hex head, 6 x 14	8	
7	92041-006	PIN, cotter	1	
8	53054-002	HOOK, seat stand	1	
9	53011-008	PIN, dual seat pivot	2	
10	92071-056	GROMMET, side cover	1	
11	92075-139	DAMPER RUBBER, dual seat	3	
12	53009-034	HINGE, rear	1	
13	32099-011	CASE	1	
14	220B0614	SCREW, pan head, 6 x 14	2	
15	92075-099	DAMPER RUBBER, dual seat	2	
16	53008-025	HOOK	1	
17	92072-041	BAND, tool	1	
18	53045-013	HOOKASSY	1	
19	27008-055-11	KEY SET, #911	1	
19	27008-055-12	KEY SET, #912	1	
19	27008-055-13	KEY SET, #913	1	
19	27008-055-14	KEY SET, #914	1	
19	27008-055-15	KEY SET, #915	1	
19	27008-055-16	KEY SET, #916	1	
19	27008-055-17	KEY SET, #917	1	
19	27008-055-18	KEY SET, #918	1	
19	27008-055-19	KEY SET, #919	1	
19	27008-055-20	KEY SET, #920	1	
19	27008-055-21	KEY SET, #921	1	
19	27008-055-22	KEY SET, #922	1	
19	27008-055-23	KEY SET, #923	1	
19	27008-055-24	KEY SET, #924	1	
19	27008-055-25	KEY SET, #925	1	
20	53010-005	BRACKET, hook	1	
21	221B0612	SCREW, countersunk head, 6 x 12	2	
22	53044-004	MOLE	1	
23	53043-006-3T	BACK REST, Deep Burgundy	1	
23	53043-006-3U	BACK REST, Copper	1	
24	92071-070	GROMMET	1	
25	310B0600	NUT, 6 mm	4	
26	92075-169	DAMPER RUBBER A, back rest	4	
27	53057-002	COVER, back rest	1	
28	92075-168	DAMPER RUBBER B, back rest	4	



Ref No.	Part No.	Part Name	Quantity	Remarks
29	92022-240	WASHER, plain	4	
30	92011-030	BOLT, hex head, 6 x 30	4	
31	110B0816	BOLT, hex head, 8 x 16	4	
32	461F0800	WASHER, spring, 8 mm	4	
33	411B0800	WASHER, plain, 8 mm	4	
34	*56027-338-SP	DECAL, L.H. back rest	1	Use for Copper Color
35	*56027-339-SP	DECAL, R.H. back rest	1	
36	*56027-340-SP	DECAL, L.H. back rest	1	Use for Deep Burgundy Color
37	*56027-341-SP	DECAL, R.H. back rest	1	

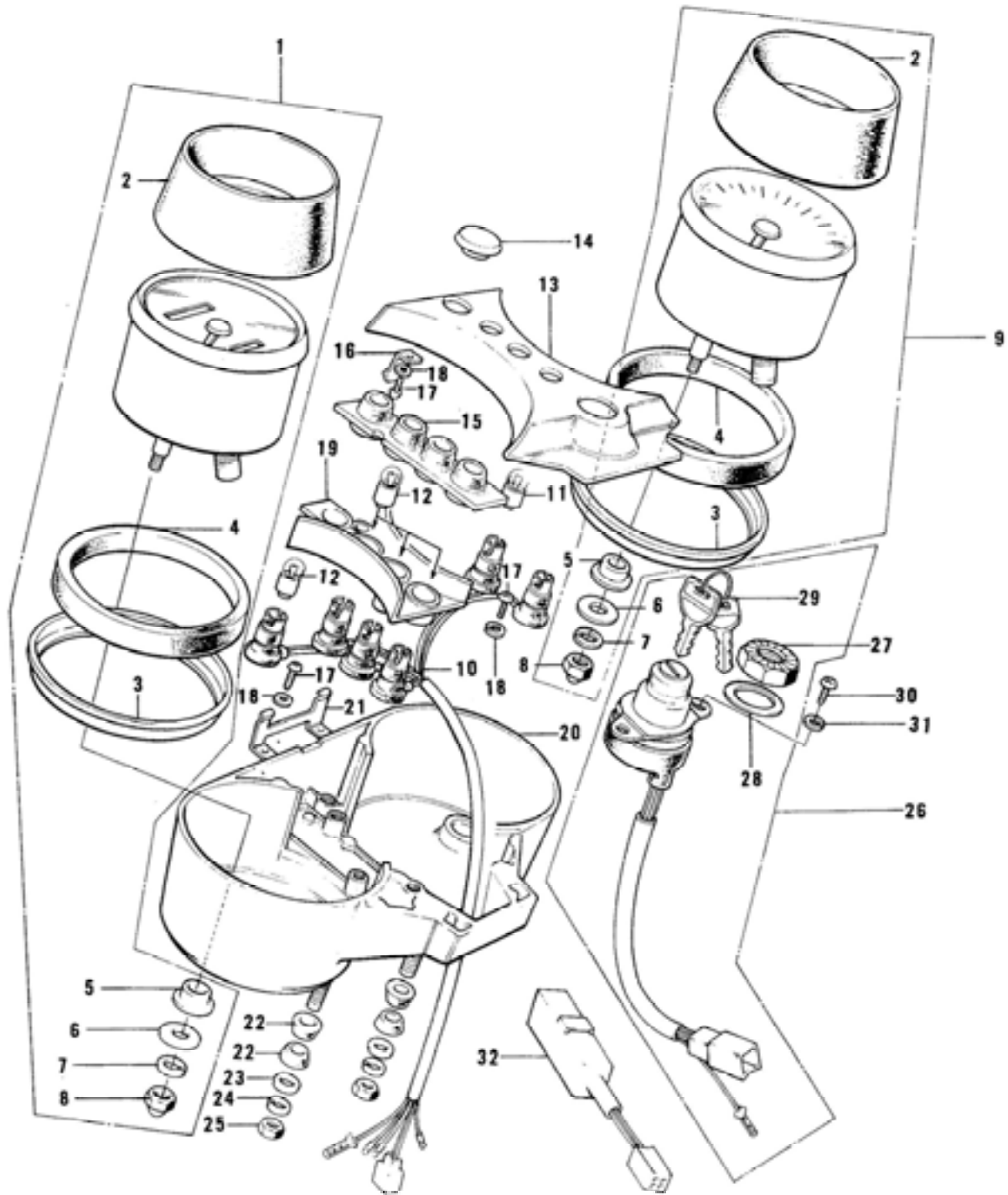


Ref No.	Part No.	Part Name	Quantity	Remarks
1	54001-043	CABLE, speedometer	1	
2	54011-050	CABLE, clutch	1	
3	54012-055	CABLE, combination	1	
4	54017-054	CABLE, starter	1	
5	54018-007	CABLE, tachometer	1	

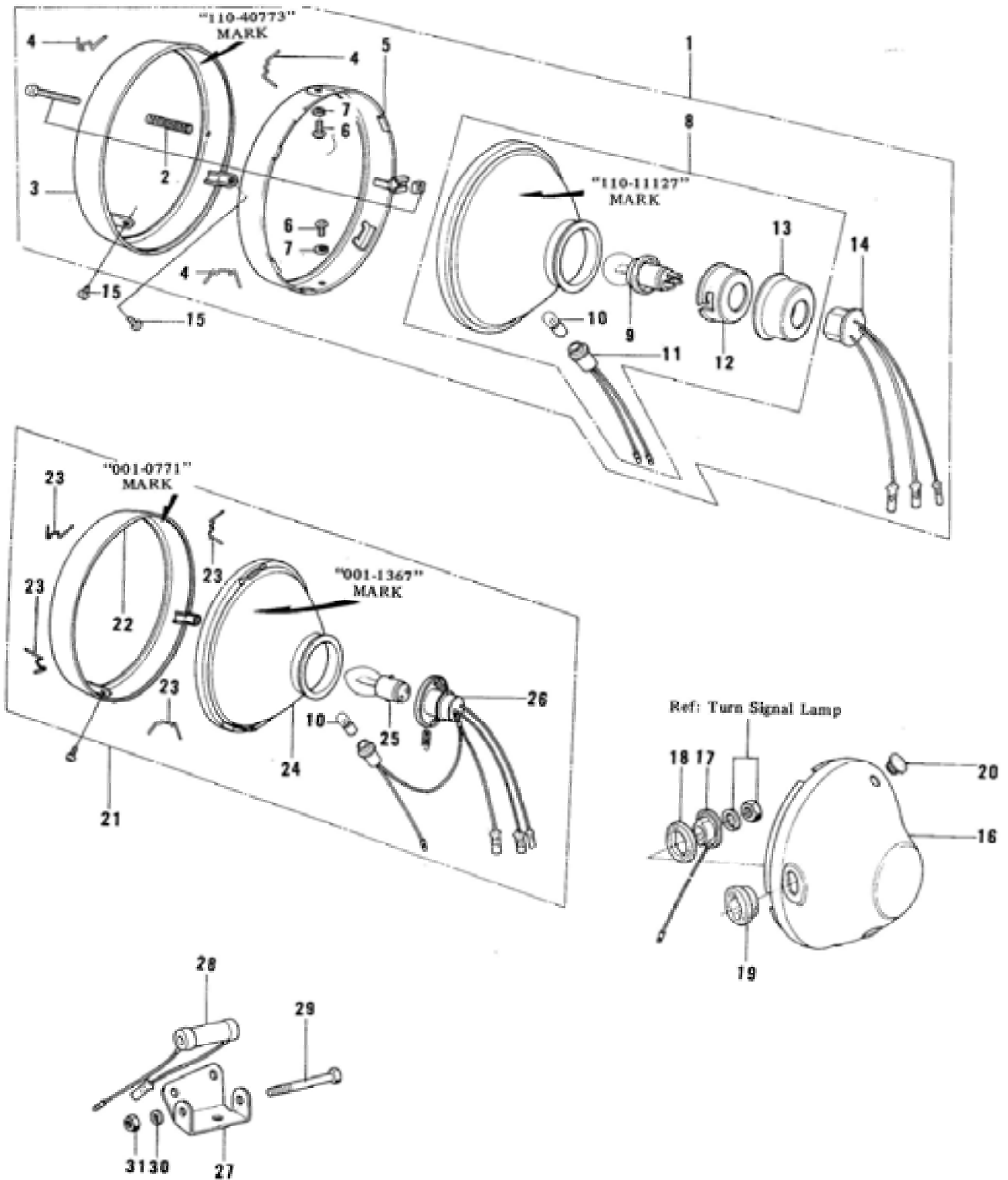


ELECTRICAL EQUIPMENT A

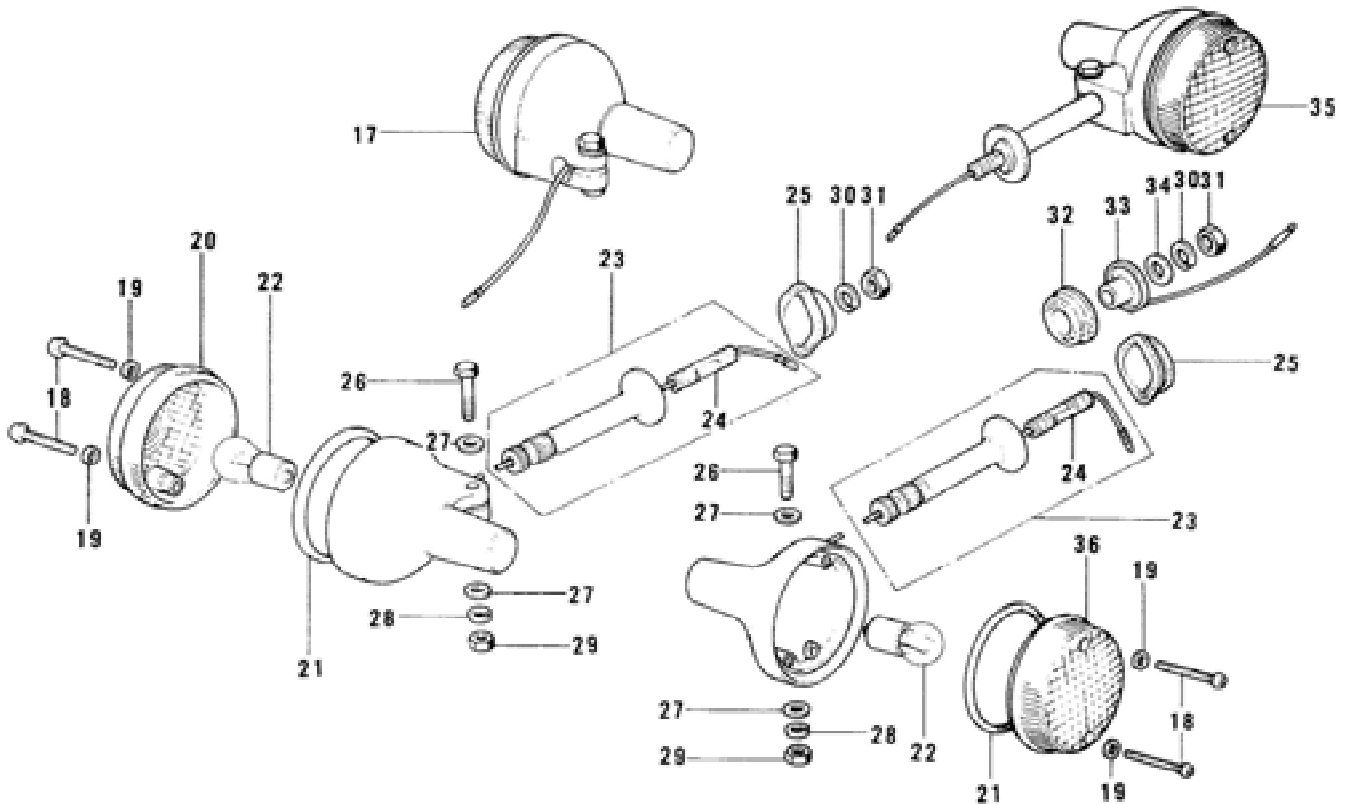
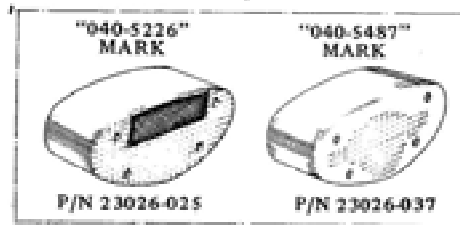
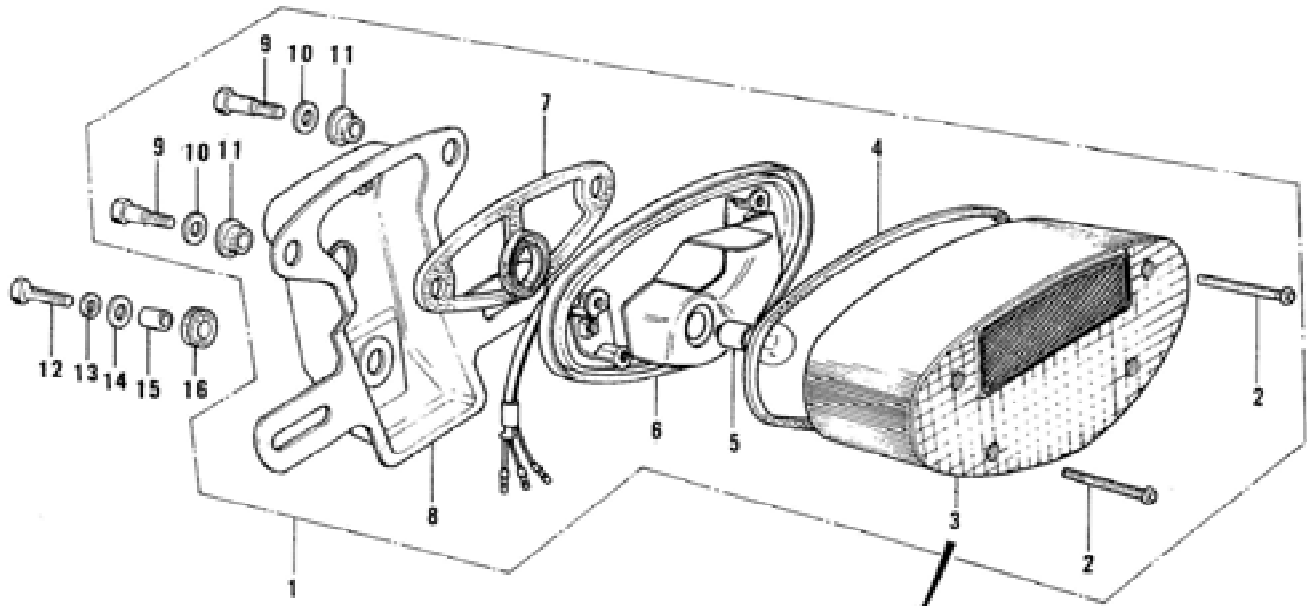
Ref No.	Part No.	Part Name	Quantity	Remarks
1	25005-111	SPEEDOMETER ASSY, KPH	1	
1	25005-122	SPEEDOMETER ASSY, MPH	1	
2	25012-012	COVER, meter	2	
3	25026-001	RING, meter	2	
4	25019-015	DAMPER RUBBER, meter	2	
5	25019-013	DAMPER RUBBER, meter case fitting	4	
6	411B0500	WASHER, plain, 5 mm	4	
7	461E0500	WASHER, spring, 5 mm	4	
8	92015-059	NUT, cap, 5 mm	4	
9	25015-026	TACHOMETER ASSY	1	
10	25011-040	SOCKET, meter	1	
11	92069-017	BULB, 12V 1,5W	1	
12	92069-018	BULB, 12V 3W	5	
13	25023-009	COVER, meter case	1	
14	92074-032	PLUG, rubber	1	
15	25019-014	DAMPER, meter shock	1	
16	25014-004	HOLDER B, meter case cover	2	
17	220B0408A	SCREW, pan head, 4 x 8	6	
18	461F0400	WASHER, spring, 4 mm	6	
19	25023-003	COVER, meter socket	1	
20	25008-026	CASE, meter	1	
21	25014-003	HOLDER A, meter case	1	
22	92075-080	DAMPER RUBBER	4	
23	411B0800	WASHER, plain, 8 mm	2	
24	461F0800	WASHER, spring, 8 mm	2	
25	310B0800	NUT, 8 mm	2	
26	27005-054	SWITCH ASSY, ignition	1	
27	27007-003	NUT, ignition switch	1	
28	27019-002	WASHER, ignition switch	1	
29	27008-055-11	KEY SET, #911	1	
29	27008-055-12	KEY SET, #912	1	
29	27008-055-13	KEY SET, #913	1	
29	27008-055-14	KEY SET, #914	1	
29	27008-055-15	KEY SET, #915	1	
29	27008-055-16	KEY SET, #916	1	
29	27008-055-17	KEY SET, #917	1	
29	27008-055-18	KEY SET, #918	1	
29	27008-055-19	KEY SET, #919	1	
29	27008-055-20	KEY SET, #920	1	
29	27008-055-21	KEY SET, #921	1	
29	27008-055-22	KEY SET, #922	1	
29	27008-055-23	KEY SET, #923	1	
29	27008-055-24	KEY SET, #924	1	



Ref No.	Part No.	Part Name	Quantity	Remarks
29	27008-055-25	KEY SET, #925	1	
30	220B0508A	SCREW, pan head, 5 x 8	2	
31	461F0500	WASHER, spring, 5 mm	2	
32	28019-001	SWITCH, brake switch outage indicator	1	

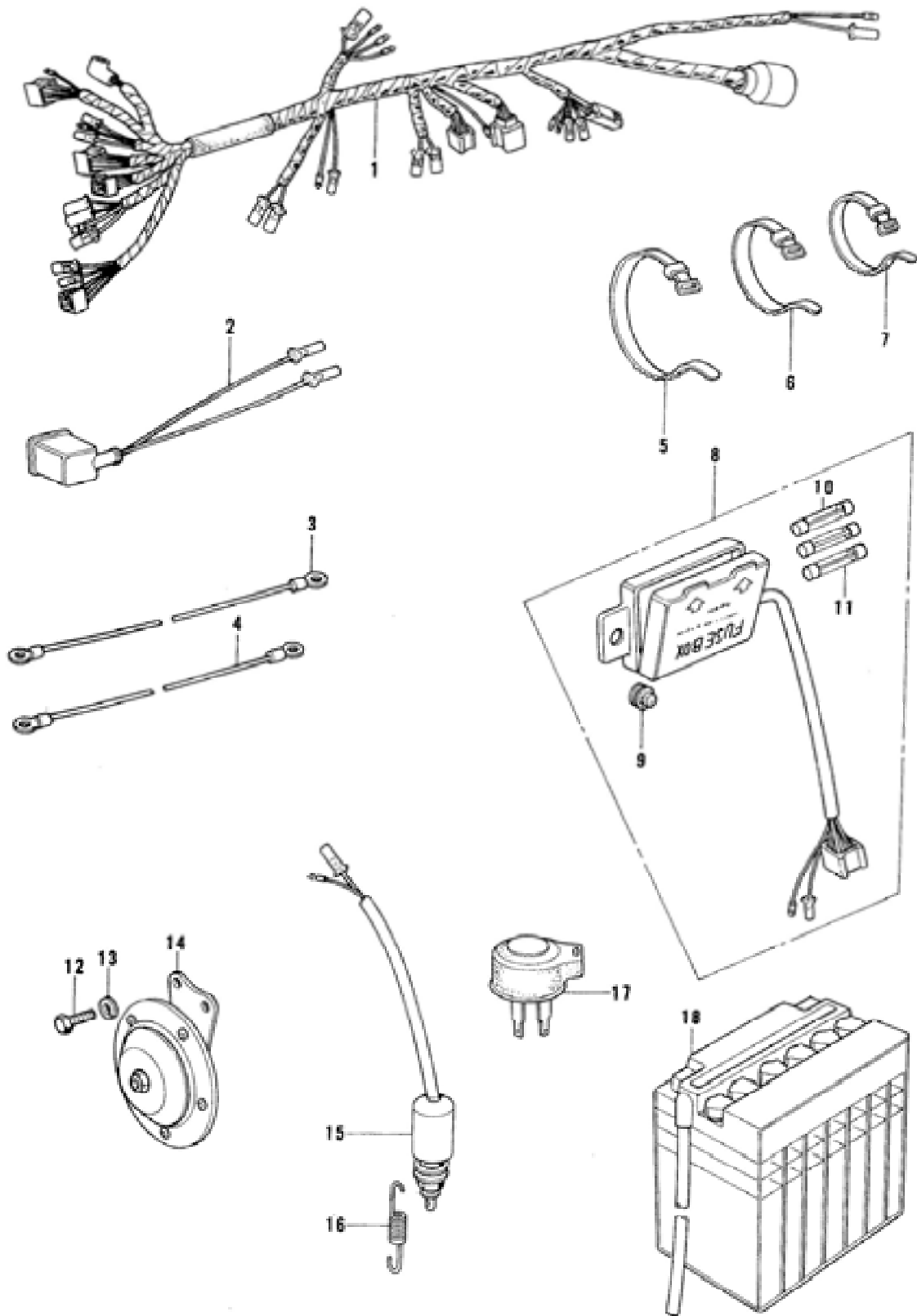


Ref No.	Part No.	Part Name	Quantity	Remarks
1	23004-058	LAMP UNIT, head	1	Germany
1	23004-059	LAMP UNIT, head	1	France
2	23013-004	ADJUSTER SET, focus	1	
3	23006-045	RIM, head lamp	1	
4	23009-017	CLAMP, head lamp rim	3	
5	23072-004	RING, head lamp mounting	1	
6	23019-028	SCREW, pan head, 5 x 6	2	
7	461F0500	WASHER, spring, 5 mm	2	
8	23007-060	LENS UNIT, head lamp	1	France
8	23007-062	LENS UNIT, head lamp	1	Germany
11	23008-042	SOCKET, parking lamp	1	
12	23084-001	HOLDER, socket	1	
13	23085-001	COVER, socket	1	
14	23008-044	SOCKET, head lamp bulb	1	
15	23019-022	SCREW, pan head, 5 x 14	2	
16	23005-037-21	BODY, head lamp	1	Flat Black
17	23076-005	COLLAR, head lamp body	2	
18	23066-001	DAMPER RUBBER A	2	
19	23066-005	DAMPER RUBBER B	2	
20	92074-006	PLUG, rubber	1	
21	23004-066	LAMP UNIT, head	1	GB
22	23006-031	RIM, head lamp	1	GB
23	23009-012	CLAMP, head lamp rim	4	GB
24	23007-067	LENS UNIT, head lamp	1	GB
26	23008-032	SOCKET, head lamp	1	GB
27	32122-051	BRACKET, resister	1	
28	26019-005	RESISTOR, 20W-0,511	1	
29	110B0863	BOLT, hex head, 8 x 63	1	
30	461F0800	WASHER, spring, 8 mm	1	
31	312B0800	NUT, 8 mm	1	



ELECTRICAL EQUIPMENT C

Ref No.	Part No.	Part Name	Quantity	Remarks
1	23024-031-21	LAMP ASSY, tail	1	Flat Black
1	23024-075-21	LAMP ASSY, tail	1	Flat Black
2	220E0455A	SCREW, pan head, 4 x 55	4	
3	23026-025	LENS, tail lamp	1	
3	23026-037	LENS, tail lamp	1	
4	23028-016	GASKET, tail lamp lens	1	
6	23027-033	CASE, tail lamp	1	
7	23028-015	GASKET, tail lamp case	1	
8	23036-024-21	BRACKET, license plate	1	Flat Black
9	92001-105	BOLT	2	
10	92022-195	WASHER, plain	2	
11	92075-091	DAMPER RUBBER, bracket	2	
12	110B0622	BOLT, hex head, 6 x 22	3	
13	461F0600	WASHER, spring, 6 mm	3	
14	92022-125	WASHER, plain	3	
15	92027-120	COLLAR	3	
16	92075-112	DAMPER RUBBER	3	
18	220E0420A	SCREW, pan head, 4 x 20	8	
19	23058-002	WASHER, plain, 4 mm	8	
20	23048-013	LENS, front turn signal lamp	2	045-6588 MARK
21	23050-003	GASKET, turn signal lamp lens	4	
23	23078-001	BRACKET, turn signal lamp	4	
24	23073-001	BOLT SET, signal lamp bracket	4	
25	92075-128	DAMPER RUBBER	4	
26	110N0630	BOLT, hex head, 6 x 30	4	
27	411D0600	WASHER, plain, 6 mm	8	
28	461F0600	WASHER, spring, 6 mm	4	
29	310N0600	NUT, 6 mm	4	
30	461F1000	WASHER, spring, 10 mm	4	
31	315B1000	NUT, 10 mm	4	
32	92075-158	DAMPER RUBBER	2	
33	23076-003	COLLAR SET	2	
34	411B1000	WASHER, plain, 10 mm	2	
36	23048-016	LENS, rear turn signal lamp	2	045-6680 MARK



Ref No.	Part No.	Part Name	Quantity	Remarks
1	26001-131	WIRING HARNESS, main	1	
2	26011-092	WIRE, battery lead	1	
3	26010-023	WIRE, battery ground lead	1	
4	26011-084	WIRE, crankcase lead	1	
5	92072-056	BAND, rubber	5	L=186 mm
6	92072-031	BAND, rubber	5	L=149 mm
7	92072-030	BAND, rubber	4	L=123 mm
8	26004-035	FUSE ASSY	1	
9	92075-279	DAMPER RUBBER, fuse	1	
10	26006-005	FUSE, 20A	3	
11	26006-003	FUSE, 10A	2	
12	110B0818	BOLT, hex head, 8 x 18	2	
13	461F0800	WASHER, spring, 8 mm	2	
14	27003-067	HORN	1	
15	27010-015	SWITCH, brake lamp	1	
16	27011-017	SPRING, brake lamp switch	1	
17	27002-011	RELAY, turn signal	1	
18	26012-028	BATTERY, 12V 9AH	1	

TOOLS, OPTIONAL PARTS

Ref No.	Part No.	Part Name	Quantity	Remarks
1	56007-054	TOOL KIT	1	
2	56008-007	BAG, tool	1	
3	92106-002	GRIP, screw driver	1	
4	92107-005	SCREW DRIVER, #3 phillips	1	
5	92107-003	SCREW DRIVER, # 2 phillips & slot	1	
6	92112-003	PLIERS, 150 mm	1	
7	92126-003	WRENCH, open end, 14 x 17	1	
8	92126-002	WRENCH, open end, 12 x 13	1	
9	92126-001	WRENCH, open end, 8 x 10	1	
10	92109-009	WRENCH BOX, 27 mm	1	
11	92111-004	WRENCH, extender	1	
12	92111-005	LEVER	1	
13	92110-012	WRENCH BOX, 17 x 21	1	
14	92110-007	WRENCH BOX, 10 mm	1	
15	92126-012	WRENCH, hook, 22 mm	1	
16	92104-002	LIQUID GASKET	1	100g Tube
17	21012-001	ROTOR PULLER	1	Option
18	56019-067	HOLDER, clutch	1	
19	57001-132	HOLDER, boot stopper	1	
20	56019-111	REMOVER, boots	1	

PARTS LIST SUMMARY

Ref No.	Part No.	Part Name	Total	Remarks
#-001	43053-006	"O" RING	4	
#-002	43079-001	"O" RING	1	
#-003	92055-025	"O" RING	2	
#-004	92055-028	"O" RING	1	
#-005	92055-035	"O" RING	1	
#-006	670B2015	"O" RING, 15 mm	1	
#-007	670B2020	"O" RING, 20 mm	1	
#-008	92055-018	"O" RING, 22 mm	1	
#-009	671B2530	"O" RING, 30 mm	2	
#-010	44046-015	"O" RING, fork top	2	
#-011	13130-017	2ND GEAR, drive shaft	1	20T
#-012	13131-011	2ND GEAR, output shaft	1	25T
#-013	13132-014	3RD GEAR, drive shaft	1	23T
#-014	13133-015	3RD GEAR, output shaft	1	25T
#-015	13134-003	4TH GEAR, drive shaft	1	25T
#-016	13135-007	4TH GEAR, output shaft	1	23T

A-001	14017-010	ABSORBER, front lower	2	
A-002	14017-012	ABSORBER, front upper	2	
A-003	14017-011	ABSORBER, rear lower	2	
A-004	14017-013	ABSORBER, rear upper	2	
A-005	23013-004	ADJUSTER SET, focus	1	
A-006	16002-002	ADJUSTER, cable	6	
A-007	33040-056	ADJUSTER, chain	2	
A-008	16021-003	ADJUSTER, throttle	3	
A-009	11010-097	AIR CLEANER ASSY	1	
A-010	41068-049	AXLE, front	1	
A-011	42031-053	AXLE, rear	1	

B-001	53043-006-3U	BACK REST, Copper	1	
B-002	53043-006-3T	BACK REST, Deep Burgundy	1	
B-003	18033-064	BAFFLE TUBE	3	
B-004	56008-007	BAG, tool	1	
B-005	600A0800	BALL, steel, 1/4"	39	
B-006	600A0400	BALL, steel, 1/8"	11	
B-007	32100-018	BAND, battery	1	
B-008	92072-050	BAND, fuel, tank	1	
B-009	32100-017	BAND, oil tank	1	
B-010	41023-015	BAND, rim	1	
B-011	41023-017	BAND, rim	1	
B-012	92072-030	BAND, rubber	4	L=123 mm
B-013	92072-031	BAND, rubber	5	L=149 mm
B-014	92072-056	BAND, rubber	5	L=186 mm
B-015	32100-015	BAND, spark plug cover	1	
B-016	92072-041	BAND, tool	1	
B-017	34028-011	BAR, L.H. footrest	1	

PARTS LIST SUMMARY

Ref No.	Part No.	Part Name	Total	Remarks
B-018	34028-012	BAR, R.H. footrest	1	
B-019	26012-028	BATTERY, 12V 9AH	1	
B-020	601B6005	BEARING, ball, #6005	1	
B-021	601B6203	BEARING, ball, #6203	2	
B-022	92045-010	BEARING, ball, #6205NX3C3	2	
B-023	601B6205Z	BEARING, ball, #6205Z	1	
B-024	601B6303Z	BEARING, ball, #6303Z	1	
B-025	601B6305	BEARING, ball, #6305	1	
B-026	92046-004	BEARING, needle	1	
B-027	92046-010	BEARING, needle	2	KT202513
B-028	13033-016	BEARING, needle, small end	3	KTV162022
B-029	11011-056	BODY, air cleaner	1	
B-030	43042-008	BODY, caliper	1	
B-031	23005-037-21	BODY, head lamp	1	Flat Black
B-032	43045-006	BOLT	2	
B-033	92001-105	BOLT	2	
B-034	23073-001	BOLT SET, signal lamp bracket	4	
B-035	92001-131	BOLT, 10 mm	1	
B-036	92060-008	BOLT, banjo	3	L=17,5 mm
B-037	92060-009	BOLT, banjo	1	L=24 mm
B-038	92060-010-79	BOLT, banjo	3	Cr-Plated
B-039	92001-038	BOLT, chain adjuster	2	
B-040	92091-024	BOLT, engine mounting, 10 x 274	3	
B-041	44041-040	BOLT, fork cylinder	2	
B-042	44062-003	BOLT, fork top fitting	2	
B-043	92003-117	BOLT, gear change pedal fitting	1	
B-044	43033-004	BOLT, handle lever pivot	1	
B-045	92007-002	BOLT, handlebar fitting	4	
B-046	92001-158	BOLT, hex head, 10 mm	4	
B-047	92007-032	BOLT, hex head, 10 mm	2	
B-048	113B10125	BOLT, hex head, 10 x 125	2	
B-049	92001-101	BOLT, hex head, 10 x 25	1	
B-050	92003-096	BOLT, hex head, 10 x 29	1	
B-051	113N1035	BOLT, hex head, 10 x 35	2	
B-052	92003-097	BOLT, hex head, 10 x 40	1	
B-053	92003-150	BOLT, hex head, 12 x 32	2	
B-054	92003-064	BOLT, hex head, 12 x 36	2	
B-055	92003-165	BOLT, hex head, 12 x 56	2	
B-056	92007-047	BOLT, hex head, 6 mm	1	
B-057	110B0612	BOLT, hex head, 6 x 12	5	
B-058	110B0614	BOLT, hex head, 6 x 14	15	
B-059	110N0614	BOLT, hex head, 6 x 14	1	
B-060	110B0616	BOLT, hex head, 6 x 16	3	
B-061	110B0618	BOLT, hex head, 6 x 18	7	
B-062	110B0620	BOLT, hex head, 6 x 20	1	
B-063	110B0622	BOLT, hex head, 6 x 22	3	
B-064	110N0622	BOLT, hex head, 6 x 22	1	

PARTS LIST SUMMARY

Ref No.	Part No.	Part Name	Total	Remarks
B-065	110B0625	BOLT, hex head, 6 x 25	1	
B-066	110N0625	BOLT, hex head, 6 x 25	3	
B-067	110B0628	BOLT, hex head, 6 x 28	1	
B-068	110N0630	BOLT, hex head, 6 x 30	4	
B-069	92011-030	BOLT, hex head, 6 x 30	4	
B-070	110N0632	BOLT, hex head, 6 x 32	1	
B-071	110B0636	BOLT, hex head, 6 x 36	2	
B-072	110N0650	BOLT, hex head, 6 x 50	1	
B-073	110B0608	BOLT, hex head, 6 x 8	1	
B-074	44041-042	BOLT, hex head, 8 mm	1	
B-075	44041-049	BOLT, hex head, 8 mm	2	
B-076	110B0816	BOLT, hex head, 8 x 16	8	
B-077	110B0818	BOLT, hex head, 8 x 18	2	
B-078	110B0822	BOLT, hex head, 8 x 22	1	
B-079	110B0825	BOLT, hex head, 8 x 25	1	
B-080	110B0835	BOLT, hex head, 8 x 35	2	
B-081	110B0845	BOLT, hex head, 8 x 45	2	
B-082	110B0863	BOLT, hex head, 8 x 63	1	
B-083	110B0870	BOLT, hex head, 8 x 70	1	
B-084	43030-003	BOLT, lever adjust	1	
B-085	43066-001	BOLT, oil	3	
B-086	92001-060	BOLT, oil pump pinion	1	
B-087	92003-015	BOLT, rear sprocket fitting	6	
B-088	92007-034	BOLT, side cover fitting	2	
B-089	92003-079	BOLT, side stand fitting	1	
B-090	92007-031	BOLT, steering stern head	1	
B-091	13061-020	BOSS, kickstarter pedal	1	
B-092	35009-029	BRACE, front fender	1	
B-093	43063-001	BRACKET, brake hose	1	
B-094	32129-007	BRACKET, electrical base	1	
B-095	53010-005	BRACKET, hook	1	
B-096	34003-038	BRACKET, L.H. footrest bar	1	
B-097	23036-024-21	BRACKET, license plate	1	Flat Black
B-098	18061-049	BRACKET, muffler, L.H.	1	
B-099	18061-050	BRACKET, muffler, R.H.	1	
B-100	34003-039	BRACKET, R.H. footrest bar	1	
B-101	35026-010	BRACKET, rear fender	1	
B-102	34029-011	BRACKET, rear footrest	2	
B-103	28013-008	BRACKET, reflex reflector	1	
B-104	32122-051	BRACKET, resister	1	
B-105	23078-001	BRACKET, turn signal lamp	4	
B-106	43085-001	BREEDER	1	
B-107	21088-013	BRUSH, carbon	3	
B-108	21088-014	BRUSH, carbon	2	
B-109	92069-017	BULB, 12V 1.5W	1	
B-110	92069-018	BULB, 12V 3W	5	
B-111	92028-072	BUSHING	1	

PARTS LIST SUMMARY

Ref No.	Part No.	Part Name	Total	Remarks
B-112	92028-073	BUSHING	2	
B-113	92028-081	BUSHING	1	
B-114	92028-071	BUSHING, change pedal shaft	1	
B-115	92028-070	BUSHING, clutch push rod	1	
B-116	92028-074	BUSHING, oil pump gear	1	
B-117	45016-008	BUSHING, shock absorber	2	
B-118	45017-012	BUSHING, shock absorber rubber	2	
B-119	45017-015	BUSHING, shock absorber rubber	2	
B-120	41062-005	BUSHING, speedometer cable	1	
B-121	33033-009	BUSHING, swinging arm	2	
B-122	92028-075	BUSHING, tachometer gear	1	

C-001	54011-050	CABLE, clutch	1	
C-002	54012-055	CABLE, combination	1	
C-003	54001-043	CABLE, speedometer	1	
C-004	54017-054	CABLE, starter	1	
C-005	54018-007	CABLE, tachometer	1	
C-006	43041-018	CALIPER ASSY	1	
C-007	41050-017	CAM SHAFT, brake	1	
C-008	51048-012	CAP ASSY, fuel tank	1	
C-009	16036-004	CAP carburetor	3	
C-010	11012-011	CAP, air cleaner	1	
C-011	11012-062	CAP, air cleaner	1	
C-012	16036-005	CAP, cable adjuster	3	
C-013	16004-006	CAP, mixing chamber	3	
C-014	43026-003	CAP, oil cup	1	
C-015	52003-019	CAP, oil tank	1	
C-016	21130-023	CAP, spark plug	3	
C-017	16012-008	CAP, starter plunger	3	
C-018	27031-004	CAP, steering lock	1	
C-019	27031-005	CAP, steering lock	1	
C-020	46098-010	CAP, steering stern	1	
C-021	33035-007	CAP, swinging arm	2	
C-022	16001-276	CARBURETOR ASSY, L.H. & Center	2	VM28
C-023	16001-277	CARBURETOR ASSY, R.H.	1	VM28
C-024	32099-011	CASE	1	
C-025	46091-033	CASE ASSY, L.H.	1	
C-026	46132-029	CASE ASSY, R.H.	1	
C-027	32097-038	CASE, battery	1	
C-028	25008-026	CASE, meter	1	
C-029	23027-033	CASE, tail lamp	1	
C-030	16008-004	CIRCLIP	3	
C-031	44044-015	CIRCLIP	2	
C-032	92033-015	CIRCLIP	2	
C-033	92036-013	CIRCLIP	1	
C-034	482J0100	CIRCLIP, 10 mm	2	
C-035	480J1500	CIRCLIP, 15 mm	1	

PARTS LIST SUMMARY

Ref No.	Part No.	Part Name	Total	Remarks
C-036	480J1600	CIRCLIP, 16 mm	1	
C-037	481J1800	CIRCLIP, 18 mm	1	
C-038	92033-026	CIRCLIP, 24 mm	5	
C-039	480J2600	CIRCLIP, 26 mm	1	
C-040	480J3000	CIRCLIP, 30 mm	1	
C-041	482K5000	CIRCLIP, 5 mm	3	
C-042	44044-019	CIRCLIP, fork piston	2	
C-043	92036-004	CIRCLIP, piston pin	6	
C-044	92037-035	CLAMP, air cleaner	1	
C-045	92037-109	CLAMP, air cleaner	3	
C-046	21098-011	CLAMP, carbon brush wire	3	
C-047	16051-002	CLAMP, carburetor mounting	3	
C-048	92037-113	CLAMP, harness	2	
C-049	23009-012	CLAMP, head lamp rim	4	GB
C-050	21098-010	CLAMP, lead wire	4	
C-051	92037-010	CLAMP, pipe	9	
C-052	23009-017	CLAMP, head lamp rim	3	
C-053	13081-071	CLUTCHASSY	1	
C-054	51023-040	COCK ASSY, fuel	1	
C-055	21121-087	COIL, ignition	3	
C-056	92027-052	COLLAR	1	
C-057	92027-091	COLLAR	1	
C-058	92027-120	COLLAR	3	
C-059	92027-149	COLLAR	2	
C-060	92027-156	COLLAR	2	
C-061	92027-241	COLLAR	2	
C-062	92027-259	COLLAR	2	L=26 mm
C-063	23076-003	COLLAR SET	2	
C-064	41069-032	COLLAR, front axle	1	
C-065	41069-033	COLLAR, front axle	2	
C-066	92027-121	COLLAR, gear change lever boss	1	
C-067	23076-005	COLLAR, head lamp body	2	
C-068	92027-031	COLLAR, R.H. crankshaft	1	
C-069	42032-017	COLLAR, rear axle	1	
C-070	42037-022	COLLAR, rear hub coupling	1	
C-071	92061-015	CONNECTOR, banjo	1	
C-072	13159-007	CONNECTOR A (Clockwise thread)	1	
C-073	13159-008	CONNECTOR B	1	"A"-Mark
C-074	42008-014	COUPLING ASSY, rear hub	1	
C-075	53057-002	COVER, back rest	1	
C-076	36014-053	COVER, chain	1	
C-077	14026-034-80	COVER, chain case	1	Buff Finish
C-078	14027-016-80	COVER, contact breaker	1	Buff Finish
C-079	14031-060-80	COVER, L.H. engine	1	Buff Finish
C-080	44033-068	COVER, L.H. fork	1	
C-081	36001-037-3U	COVER, L.H. SIDE, Copper	1	
C-082	36001-037-3T	COVER, L.H. SIDE, Deep Burgundy	1	

PARTS LIST SUMMARY

Ref No.	Part No.	Part Name	Total	Remarks
C-083	25012-012	COVER, meter	2	
C-084	25023-009	COVER, meter case	1	
C-085	25023-003	COVER, meter socket	1	
C-086	14030-036-80	COVER, oil pump	1	Buff Finish
C-087	14032-097-80	COVER, R.H. engine	1	Buff Finish
C-088	44034-068	COVER, R.H. fork	1	
C-089	36007-032-3U	COVER, R.H. SIDE, Copper	1	
C-090	36007-032-3T	COVER, R.H. SIDE, Deep Burgundy	1	
C-091	23085-001	COVER, socket	1	
C-092	32132-003	COVER, spark plug	1	
C-093	13031-049	CRANK & CONROD ASSY	1	
C-094	14001-078	CRANKCASE SET	1	
C-095	43019-001	CUP, primary	1	
C-096	92048-006	CUP, steering ball	2	
C-097	43015-020	CYLINDER ASSY, master	1	
C-098	11001-099-2H	CYLINDER HEAD, CENTER	1	Barrel
C-099	11001-098-2H	CYLINDER HEAD, L.H. & R.H.	2	Barrel
C-100	11005-123-2H	CYLINDER, CENTER	1	Barrel
C-101	44022-038	CYLINDER, fork	2	
C-102	11005-122-2H	CYLINDER, L.H.	1	Barrel
C-103	11005-124-2H	CYLINDER, R.H.	1	Barrel

D-001	43064-001	DAMPER RUBBER	1	
D-002	43064-005	DAMPER RUBBER	1	
D-003	92075-006	DAMPER RUBBER	1	
D-004	92075-015	DAMPER RUBBER	1	
D-005	92075-080	DAMPER RUBBER	4	
D-006	92075-092	DAMPER RUBBER	4	
D-007	92075-112	DAMPER RUBBER	3	
D-008	92075-118	DAMPER RUBBER	2	
D-009	92075-128	DAMPER RUBBER	4	
D-010	92075-158	DAMPER RUBBER	2	
D-011	92075-167	DAMPER RUBBER	2	
D-012	92075-228	DAMPER RUBBER	1	
D-013	23066-001	DAMPER RUBBER A	2	
D-014	92075-169	DAMPER RUBBER A, back rest	4	
D-015	23066-005	DAMPER RUBBER B	2	
D-016	92075-168	DAMPER RUBBER B, back rest	4	
D-017	92075-121	DAMPER RUBBER, A	2	
D-018	92075-133	DAMPER RUBBER, B	2	
D-019	92075-078	DAMPER RUBBER, battery	5	
D-020	92075-091	DAMPER RUBBER, bracket	2	
D-021	92075-099	DAMPER RUBBER, dual seat	2	
D-022	92075-139	DAMPER RUBBER, dual seat	3	
D-023	92075-101	DAMPER RUBBER, fuel tank front	2	
D-024	92075-278	DAMPER RUBBER, fuel tank rear	1	
D-025	92075-279	DAMPER RUBBER, fuse	1	

PARTS LIST SUMMARY

Ref No.	Part No.	Part Name	Total	Remarks
D-026	92075-166	DAMPER RUBBER, lower plate	1	
D-027	92075-183	DAMPER RUBBER, lower plate	1	
D-028	25019-015	DAMPER RUBBER, meter	2	
D-029	25019-013	DAMPER RUBBER, meter case fitting	4	
D-030	92075-163	DAMPER RUBBER, R.H. battery case	1	
D-031	92075-184	DAMPER RUBBER, side cover	2	
D-032	25019-014	DAMPER, meter shock	1	
D-033	42014-014	DAMPER, rear hub shock	6	
D-034	*56014-061-SP	DECAL, fuel tank	2	
D-035	*56027-338-SP	DECAL, L.H. back rest	1	Use for Copper Color
D-036	*56027-340-SP	DECAL, L.H. back rest	1	Use for Deep Burgundy Color
D-037	*56027-328-SP	DECAL, L.H. fuel tank stripe	1	Use for Copper Color
D-038	*56027-330-SP	DECAL, L.H. fuel tank stripe	1	Use for Deep Burgundy Color
D-039	*56027-339-SP	DECAL, R.H. back rest	1	
D-040	*56027-341-SP	DECAL, R.H. back rest	1	
D-041	*56027-329-SP	DECAL, R.H. fuel tank stripe	1	
D-042	*56027-331-SP	DECAL, R.H. fuel tank stripe	1	
D-043	43028-001	DIAPHRAGM	1	
D-044	51069-001	DIAPHRAGM, fuel cock	1	
D-045	41080-005	DISC COMPLETE	1	
D-046	13145-006	DISC, gear change drum operating	1	
D-047	92057-038	DRIVE CHAIN ASSY	1	106 Links
D-048	41034-041	DRUM ASSY, front brake	1	
D-049	13239-023	DRUM ASSY, gear change	1	
D-050	42005-015-80	DRUM ASSY, rear brake	1	Buff Finish
D-051	43024-001	DUST COVER	1	
D-052	43069-002	DUST COVER	1	
D-053	41042-014	DUST COVER, L.H.	1	
D-054	41042-016	DUST COVER, R.H.	1	
D-055	43052-005	DUST SHIELD	4	
D-056	44010-032	DUST SHIELD	2	
D-057	41051-003	DUST SHIELD, brake cam	1	
D-058	43054-003	DUST SHIELD, rubber	1	

E-001	11013-057	ELEMENT, air cleaner	1	
E-002	56018-213	EMBLEM, side cover	2	
E-003	13144-035	ENGINE SPROCKET, 14T	1	Option
E-004	13144-030	ENGINE SPROCKET, 15T	1	Option
E-005	13144-036	ENGINE SPROCKET, 16T	1	STD

F-001	35004-085	FENDER, front	1	
F-002	35022-076	FENDER, rear	1	
F-003	35022-141	FENDER, rear	1	
F-004	35022-143	FENDER, rear	1	
F-005	52020-001	FILTER, oil	1	
F-006	16031-023	FLOAT	3	

PARTS LIST SUMMARY

Ref No.	Part No.	Part Name	Total	Remarks
F-007	16030-005	FLOAT VALVE ASSY	3	
F-008	32002-131	FRAME	1	
F-009	32002-142	FRAME	1	
F-010	44001-176	FRONT FORK ASSY	1	
F-011	44001-188	FRONT FORK ASSY	1	
F-012	26004-035	FUSE ASSY	1	
F-013	26006-003	FUSE, 10A	2	
F-014	26006-005	FUSE, 20A	3	

G-001	11017-009	GASKET	1	
G-002	92065-090	GASKET	1	
G-003	11017-013	GASKET, air cleaner body	1	
G-004	16062-011	GASKET, air inlet	6	
G-005	14051-003	GASKET, check valve	3	
G-006	92065-023	GASKET, check valve	3	I.D.=8,5 mm
G-007	92065-058	GASKET, check valve	3	I.D.=10,5 mm
G-008	14050-008	GASKET, contact breaker cover	1	
G-009	11009-019	GASKET, cylinder base	3	
G-010	11004-048	GASKET, cylinder head	3	
G-011	44045-002	GASKET, drain plug	2	
G-012	18067-013	GASKET, exhaust pipe	3	
G-013	16019-008	GASKET, float chamber	3	
G-014	44045-038	GASKET, fork cover	1	
G-015	44045-041	GASKET, fork cover	2	
G-016	44045-034	GASKET, fork cylinder bolt	2	
G-017	51037-007	GASKET, fuel cock cup	1	
G-018	92065-055	GASKET, fuel cock lever	1	
G-019	92065-054	GASKET, fuel cock joint	1	
G-020	51059-008	GASKET, fuel tank cap	1	
G-021	14045-012	GASKET, L.H. engine cover	1	
G-022	92065-011	GASKET, oil drain plug	1	
G-023	16094-002	GASKET, oil pump	1	
G-024	92022-077	GASKET, oil pump banjo	5	
G-025	92065-085	GASKET, oil tank cap	1	
G-026	14046-014	GASKET, R.H. engine cover	1	
G-027	92065-052	GASKET, rubber, 7 mm	1	
G-028	23028-015	GASKET, tail lamp case	1	
G-029	23028-016	GASKET, tail lamp lens	1	
G-030	23050-003	GASKET, turn signal lamp lens	4	
G-031	52015-005	GAUGE, oil level	1	
G-032	41078-008	GEAR BOX ASSY	1	
G-033	13068-015	GEAR, kickstarter	1	
G-034	16085-011	GEAR, oil pump	1	
G-035	13121-013	GEAR, primary	1	
G-036	41059-026	GEAR, speedometer	1	
G-037	13224-005	GEAR, tachometer	1	35T
G-038	46019-041	GRIP ASSY, throttle	1	

PARTS LIST SUMMARY

Ref No.	Part No.	Part Name	Total	Remarks
G-039	92106-002	GRIP, screw driver	1	
G-040	92071-070	GROMMET	1	
G-041	92071-065	GROMMET, R.H. side cover	1	
G-042	92071-056	GROMMET, side cover	5	
G-043	13092-005	GUIDE, clutch spring	5	
G-044	44064-025	GUIDE, fork cover	2	
G-045	44029-019	GUIDE, fork spring	2	
G-046	13070-001	GUIDE, kickstarter spring	1	

H-001	46006-012	HANDLEBAR, semi-low	1	
H-002	44039-048	HEAD, steering stern	1	
H-003	53009-033	HINGE, front	1	
H-004	53009-034	HINGE, rear	1	
H-005	25014-003	HOLDER A, meter case	1	
H-006	25014-004	HOLDER B, meter case cover	2	
H-007	57001-132	HOLDER, boot stopper	1	
H-008	43044-008	HOLDER, caliper	1	
H-009	56019-067	HOLDER, clutch	1	
H-010	46094-017	HOLDER, clutch lever	1	
H-011	13091-009	HOLDER, clutch spring	5	
H-012	18069-049	HOLDER, exhaust pipe	3	
H-013	44063-014	HOLDER, front axle	2	
H-014	13077-002	HOLDER, kickstarter gear	1	
H-015	46012-010	HOLDER, lower handlebar	2	
H-016	43034-001	HOLDER, master cylinder	1	
H-017	16068-004	HOLDER, oil pipe	1	
H-018	23084-001	HOLDER, socket	1	
H-019	32132-002	HOLDER, spark plug cover	1	
H-020	46012-008	HOLDER, upper handlebar	2	
H-021	53008-025	HOOK	1	
H-022	53054-002	HOOK, seat stand	1	
H-023	53045-013	HOOKASSY	1	
H-024	27003-067	HORN	1	
H-025	43059-002	HOSE, caliper brake	1	
H-026	43059-010	HOSE, master cylinder brake	1	
H-027	13095-018	HOUSING, clutch	1	
H-028	13087-030	HUB, clutch	1	

I-001	21119-025	IGNITION UNIT A	1	
I-002	21119-019	IGNITION UNIT B	1	
I-003	41085-004	INDICATOR, brake shoe	1	
I-004	16060-009	INLET PIPE	3	
I-005	18070-007	INSERT, exhaust holder	3	
I-006	16061-010	INSULATOR, heat	3	

J-001	16009-049	JET NEEDLE, 5DJ19	3	
-------	-----------	-------------------	---	--

PARTS LIST SUMMARY

Ref No.	Part No.	Part Name	Total	Remarks
J-002	92058-006	JOINT ASSY, drive chain	1	
J-003	43061-002	JOINT, three way	1	

K-001	27008-055-11	KEY SET, #911	4	
K-002	27008-055-12	KEY SET, #912	4	
K-003	27008-055-13	KEY SET, #913	4	
K-004	27008-055-14	KEY SET, #914	4	
K-005	27008-055-15	KEY SET, #915	4	
K-006	27008-055-16	KEY SET, #916	4	
K-007	27008-055-17	KEY SET, #917	4	
K-008	27008-055-18	KEY SET, #918	4	
K-009	27008-055-19	KEY SET, #919	4	
K-010	27008-055-20	KEY SET, #920	4	
K-011	27008-055-21	KEY SET, #921	4	
K-012	27008-055-22	KEY SET, #922	4	
K-013	27008-055-23	KEY SET, #923	4	
K-014	27008-055-24	KEY SET, #924	4	
K-015	27008-055-25	KEY SET, #925	4	
K-016	46043-006	KNOB, lighting switch	1	
K-017	46043-005	KNOB, signal lamp switch L.H.	1	

L-001	21168-002	LABEL, center	1	
L-002	21168-001	LABEL, left	1	
L-003	21168-003	LABEL, right	1	
L-004	23024-031-21	LAMP ASSY, tail	1	Flat Black
L-005	23024-075-21	LAMP ASSY, tail	1	Flat Black
L-006	23004-058	LAMP UNIT, head	1	Germany
L-007	23004-059	LAMP UNIT, head	1	France
L-008	23004-066	LAMP UNIT, head	1	GB
L-009	23007-062	LENS UNIT, head lamp	1	Germany
L-010	23007-067	LENS UNIT, head lamp	1	GB
L-011	23007-060	LENS UNIT, head lamp	1	France
L-012	23048-013	LENS, front turn signal lamp	2	045-6588 MARK
L-013	23048-016	LENS, rear turn signal lamp	2	045-6680 MARK
L-014	23026-025	LENS, tail lamp	1	
L-015	23026-037	LENS, tail lamp	1	
L-016	92111-005	LEVER	1	
L-017	46076-051	LEVER ASSY, clutch	1	
L-018	13161-045	LEVER ASSY, gear change	1	
L-019	46092-022	LEVER, clutch	1	
L-020	13158-011	LEVER, gear change pedal	1	
L-021	16096-003	LEVER, oil pump cable	1	
L-022	42029-024	LEVER, rear brake cam	1	
L-023	46096-009	LEVER, starter	1	
L-024	92104-002	LIQUID GASKET	1	100g Tube
L-025	27016-038	LOCK ASSY, steering	1	

PARTS LIST SUMMARY

Ref No.	Part No.	Part Name	Total	Remarks
L-026	13129-024	LOW GEAR, output shaft	1	33T

M-001	92063-123	MAIN JET, # 80R	3	Option
M-002	92063-107	MAIN JET, #70R	3	Option
M-003	92063-108	MAIN JET, #72,5R	3	Option
M-004	92063-109	MAIN JET, #75R	3	STD
M-005	92063-122	MAIN JET, #77,5R	3	Option
M-006	53044-004	MOLE	1	
M-007	18001-178	MUFFLER ASSY, center	1	
M-008	18001-177	MUFFLER ASSY, L.H.	1	
M-009	18001-179	MUFFLER ASSY, R.H.	1	

N-001	16017-062	NEEDLE JET, O-4/8	3	
N-002	92005-002	NIPPLE, grease	1	
N-003	313B1000	NUT, 10 mm	4	
N-004	315B1000	NUT, 10 mm	7	
N-005	316B1000	NUT, 10 mm	12	
N-006	42045-005	NUT, 10 mm	6	
N-007	313G1200A	NUT, 12 mm	2	
N-008	92015-055	NUT, 16 mm	1	
N-009	92015-019	NUT, 18 mm	2	
N-010	92016-028	NUT, 20 mm	1	
N-011	310B0500A	NUT, 5 mm	1	
N-012	92018-004	NUT, 5 mm	4	
N-013	310B0600	NUT, 6 mm	30	
N-014	310N0600	NUT, 6 mm	4	
N-015	311B0600	NUT, 6 mm	1	
N-016	312N0600	NUT, 6 mm	1	
N-017	310B0800	NUT, 8 mm	2	
N-018	312B0800	NUT, 8 mm	4	
N-019	313N0800	NUT, 8 mm	1	
N-020	316B0800	NUT, 8 mm	12	
N-021	318N0800	NUT, 8 mm	1	
N-022	92015-020	NUT, 8 mm	12	
N-023	92017-010	NUT, 8 mm (Counterclockwise thread)	1	
N-024	92015-042	NUT, brake rod adjust	1	
N-025	16003-004	NUT, cable adjust lock	6	
N-026	46056-005	NUT, cable adjust lock	1	
N-027	92015-059	NUT, cap, 5 mm	4	
N-028	51035-005	NUT, fuel cock joint	1	
N-029	27007-003	NUT, ignition switch	1	
N-030	92019-021	NUT, lock, 10 mm	7	
N-031	92019-012	NUT, lock, 16 mm	1	
N-032	92017-014	NUT, lock, 6 mm	5	
N-033	92019-013	NUT, lock, 8 mm	1	
N-034	92019-022	NUT, lock, 8 mm	5	

PARTS LIST SUMMARY

Ref No.	Part No.	Part Name	Total	Remarks
N-035	92019-009	NUT, lock, I-2 mm	2	
N-036	92020-003	NUT, shock absorber fitting	2	
N-037	92090-007	NUT, steering stern lock	1	

O-001	16082-040	OIL PUMP ASSY	1	
O-002	44009-024	OIL SEAL	2	
O-003	92050-070	OIL SEAL	1	
O-004	92056-007	OIL SEAL	1	
O-005	654A254008	OIL SEAL, #25408	1	
O-006	654A304208	OIL SEAL, #30428	1	
O-007	92050-027	OIL SEAL, #39627	1	
O-008	16091-001	OIL SEAL, oil pump shaft	1	
O-009	92049-004	OIL SEAL, SB12205	2	
O-010	92049-002	OIL SEAL, SB16244	1	
O-011	92050-024	OIL SEAL, SC325211	1	
O-012	92050-051	OIL SEAL, TC255210	1	
O-013	92054-004	OIL SEAL, TC7144	1	
O-014	92050-052	OIL SEAL, TCY326210	1	
O-015	16090-003	O-RING, oil pump lower cap	1	
O-016	16090-002	O-RING, oil pump shaft	3	
O-017	16088-002	O-RING, oil pump upper cap	1	
O-018	13118-015	OUTER, clutch release	1	

P-001	43050-006	PAD A	1	
P-002	43051-007	PAD B	1	
P-003	42006-061-80	PANEL ASSY, rear brake	1	Buff Finish
P-004	43001-047	PEDAL, brake	1	
P-005	13242-011	PEDAL, gear change	1	
P-006	13064-016	PEDAL, kickstarter	1	
P-007	21152-004	PICK UP	1	"1" MARK
P-008	21152-005	PICK UP	1	"2" MARK
P-009	92064-032	PILOT JET, #25	3	
P-010	92043-069	PIN	2	
P-011	92043-093	PIN, brake lever	1	
P-012	92043-064	PIN, brake rod fitting	1	
P-013	92041-003	PIN, cotter	3	
P-014	92041-005	PIN, cotter	4	
P-015	92041-006	PIN, cotter	1	
P-016	550D1210	PIN, cotter, 1,2 x 10	3	
P-017	550D2012	PIN, cotter, 2,0 x 12	2	
P-018	550D2015	PIN, cotter, 2,0 x 15	1	
P-019	550D2516	PIN, cotter, 2,5 x 16	2	
P-020	550D2525	PIN, cotter, 2,5 x 25	1	
P-021	550D3025	PIN, cotter, 3,0 x 25	2	
P-022	550D4035	PIN, cotter, 4,0 x 35	1	
P-023	92042-015	PIN, dowel	1	

PARTS LIST SUMMARY

Ref No.	Part No.	Part Name	Total	Remarks
P-024	552AI014	PIN, dowel, 10 x 14	4	
P-025	610A0406	PIN, dowel, 4 x 6	1	
P-026	92042-016	PIN, dowel, 6 mm	4	
P-027	53011-008	PIN, dual seat pivot	2	
P-028	16032-003	PIN, float	3	
P-029	92043-080	PIN, footrest bar fitting	2	
P-030	92042-014	PIN, gear change drum	6	
P-031	92043-009	PIN, gear change pedal return spring	1	
P-032	92043-127	PIN, hinge	1	
P-033	92043-126	PIN, hook	1	
P-034	92043-075	PIN, kickstarter	1	
P-035	92043-076	PIN, neutral positioning	1	
P-036	13002-010	PIN, piston	3	
P-037	92043-079	PIN, rear footrest, fitting	2	
P-038	92043-016	PIN, selector fork guide	3	
P-039	16084-010	PINION, oil pump	1	
P-040	41060-017	PINION, speedometer	1	
P-041	92059-073	PIPE	1	L=220 mm
P-042	92059-090	PIPE	3	L=160 mm
P-043	16134-008	PIPE ASSY, oil, Center	1	
P-044	16134-007	PIPE ASSY, oil, L.H.	1	
P-045	16134-009	PIPE ASSY, oil, R.H.	1	
P-046	11015-033	PIPE, air inlet	1	
P-047	43060-023	PIPE, bridge	1	
P-048	92059-082	PIPE, oil tank	1	
P-049	43048-006	PISTON	1	
P-050	43072-001	PISTON ASSY	1	
P-051	13029-031	PISTON, 0,020" O.S.	3	Option
P-052	13027-031	PISTON, 0,040" O.S.	3	Option
P-053	44018-009	PISTON, fork	2	
P-054	13001-031	PISTON, STD	3	
P-055	16055-013	PLATE	3	
P-056	13088-034	PLATE, clutch friction	7	
P-057	13187-005	PLATE, clutch spring	1	
P-058	13089-013	PLATE, clutch steel	6	
P-059	43027-001	PLATE, diaphragm	1	
P-060	32030-016	PLATE, engine mounting	2	
P-061	13142-004	PLATE, gear change drum	1	
P-062	13169-005	PLATE, gear change drum positioning	1	
P-063	13071-003	PLATE, kickstarter spring holder	1	
P-064	31101-002	PLATE, oil tank fitting lower	1	
P-065	32101-008	PLATE, oil tank fitting upper	1	
P-066	21155-007	PLATE, yoke	1	
P-067	92112-003	PLIERS, 150 mm	1	
P-068	32112-006	PLUG	2	
P-069	43088-002	PLUG	2	
P-070	92067-001	PLUG, oil drain	1	

PARTS LIST SUMMARY

Ref No.	Part No.	Part Name	Total	Remarks
P-071	16115-017	PLUG, oil filler	1	
P-072	92074-006	PLUG, rubber	1	
P-073	92074-032	PLUG, rubber	1	
P-074	16016-002	PLUNGER, starter	3	
P-075	21020-003	POINTER, ignition timing	1	
P-076	41024-008	PROTECTOR, bead	2	2,15B
P-077	13116-009	PUSH ROD, clutch long	1	L=167,5 mm
P-078	13116-010	PUSH ROD, clutch short	1	L=49 mm
P-079	13116-011	PUSHER, clutch spring plate	1	

R-001	92047-006	RACE INNER, steering hall	2	
R-002	42041-047	REAR SPROCKET, 43T	1	Option
R-003	42041-046	REAR SPROCKET, 45T	1	STD
R-004	42041-077	REAR SPROCKET, 47T	1	Option
R-005	56003-014	REAR VIEW MIRROR, L.H.	1	
R-006	56003-018	REAR VIEW MIRROR, L.H.	1	
R-007	56002-022	REAR VIEW MIRROR, R.H.	1	
R-008	56002-026	REAR VIEW MIRROR, R.H.	1	
R-009	14015-001	RECEIVER, oil	1	
R-010	41064-013	RECEIVER, speedometer gear	1	
R-011	28012-015	REFLECTOR, rear reflex	1	
R-012	21072-008	REGULATOR	1	
R-013	27002-011	RELAY, turn signal	1	
R-014	13231-018	RELEASE ASSY, clutch	1	
R-015	56019-111	REMOVER, boots	1	
R-016	43073-001	REPAIR SET, master cylinder	1	
R-017	26019-005	RESISTOR, 20W-0,511	1	
R-018	13197-006	RETAINER	1	
R-019	41025-085	RIM, 1,85B x 19W	1	
R-020	41025-058	RIM, 2,15B x 18W	1	
R-021	23006-031	RIM, head lamp	1	GB
R-022	23006-045	RIM, head lamp	1	
R-023	13025-044	RING SET, piston, 0,020" O.S.	3	Option
R-024	13024-048	RING SET, piston, 0,040" O.S.	3	Option
R-025	13008-041	RING SET, piston, STD	3	
R-026	13229-001	RING, clutch steel	7	
R-027	23072-004	RING, head lamp mounting	1	
R-028	25026-001	RING, meter	2	
R-029	14013-004	RING, positioning	2	
R-030	14013-001	RING, positioning, 62 mm	1	
R-031	43053-003	RING, SEAL	1	
R-032	92003-115	ROD	1	
R-033	43011-016	ROD, brake	1	
R-034	16024-005	ROD, throttle stop	3	
R-035	21007-028	ROTOR	1	
R-036	21012-001	ROTOR PULLER	1	Option
R-037	13147-005	ROTOR, neutral indicator switch	1	

PARTS LIST SUMMARY

Ref No.	Part No.	Part Name	Total	Remarks
R-038	21007-027	ROTOR, S.G.	1	
R-039	13080-004	RUBBER CAP	1	
R-040	13157-004	RUBBER, gear change pedal	1	
R-041	13063-004	RUBBER, kickstarter pedal	1	
R-042	46075-028	RUBBER, L.H. grip	1	
R-043	92076-027	RUBBER, rear footrest	2	
R-044	92075-031	RUBBER, side stand damper	1	

S-001	92107-003	SCREW DRIVER, # 2 phillips & slot	1	
S-002	92107-005	SCREW DRIVER, #3 phillips	1	
S-003	46055-006	SCREW, cable adjust	1	
S-004	221B0308A	SCREW, countersunk head, 3 x 8	1	
S-005	221B0612	SCREW, countersunk head, 6 x 12	2	
S-006	211B0616	SCREW, countersunk head, 6 x 16	1	
S-007	212B0616	SCREW, countersunk head, 6 x 16	1	
S-008	221B0616	SCREW, countersunk head, 6 x 16	1	
S-009	16033-009	SCREW, float chamber fitting	12	
S-010	220B0305A	SCREW, pan head, 3 x 5	2	
S-011	220E0420A	SCREW, pan head, 4 x 20	8	
S-012	220E0455A	SCREW, pan head, 4 x 55	4	
S-013	220B0408A	SCREW, pan head, 4 x 8	16	
S-014	220B0512A	SCREW, pan head, 5 x 12	10	
S-015	220B0514A	SCREW, pan head, 5 x 14	1	
S-016	23019-022	SCREW, pan head, 5 x 14	2	
S-017	220B0522A	SCREW, pan head, 5 x 22	2	
S-018	220B0528A	SCREW, pan head, 5 x 28	1	
S-019	220B0530A	SCREW, pan head, 5 x 30	1	
S-020	220B0535A	SCREW, pan head, 5 x 35	1	
S-021	220B0550A	SCREW, pan head, 5 x 50	3	
S-022	220B0506A	SCREW, pan head, 5 x 6	6	
S-023	23019-028	SCREW, pan head, 5 x 6	2	
S-024	220B0508A	SCREW, pan head, 5 x 8	2	
S-025	220B0610	SCREW, pan head, 6 x 10	1	
S-026	220B06100	SCREW, pan head, 6 x 100	2	
S-027	220B06110	SCREW, pan head, 6 x 110	1	
S-028	220B0612	SCREW, pan head, 6 x 12	1	
S-029	220B0614	SCREW, pan head, 6 x 14	5	
S-030	220E0614	SCREW, pan head, 6 x 14	4	
S-031	220B0616	SCREW, pan head, 6 x 16	3	
S-032	220B0620	SCREW, pan head, 6 x 20	8	
S-033	220B0625	SCREW, pan head, 6 x 25	2	
S-034	220B0630	SCREW, pan head, 6 x 30	7	
S-035	220B0635	SCREW, pan head, 6 x 35	2	
S-036	92011-033	SCREW, pan head, 6 x 35	4	
S-037	220B0645	SCREW, pan head, 6 x 45	3	
S-038	220B0655	SCREW, pan head, 6 x 55	3	
S-039	220B0685	SCREW, pan head, 6 x 85	1	

PARTS LIST SUMMARY

Ref No.	Part No.	Part Name	Total	Remarks
S-040	16014-006	SCREW, pilot air adjust	3	
S-041	291Z0625	SCREW, slotted, 6 x 25	1	
S-042	92008-007	SCREW, tapping	1	
S-043	43049-002	SEAL, piston	1	
S-044	53001-123	SEAT ASSY, dual	1	
S-045	13140-064	SELECTOR FORK, 2ND & 3RD	1	
S-046	13140-012	SELECTOR FORK, low	1	
S-047	13140-014	SELECTOR FORK, top	1	
S-048	43004-011	SHAFT, brake pedal	1	
S-049	13127-019	SHAFT, drive	1	15T
S-050	13245-009	SHAFT, kickstarter	1	
S-051	13128-020	SHAFT, output	1	
S-052	33032-038	SHAFT, swinging arm pivot	1	
S-053	13226-004	SHAFT, tachometer gear	1	
S-054	92025-048	SHIM, 0,5t	0	
S-055	92025-053	SHIM, 0,5t	0	
S-056	92025-049	SHIM, 0,8t	0	
S-057	92025-054	SHIM, 0,8t	0	
S-058	92025-050	SHIM, 1,0t	0	
S-059	92025-055	SHIM, 1,0t	0	
S-060	92025-051	SHIM, 1,6t	0	
S-061	92025-056	SHIM, 1,6t	0	
S-062	92025-052	SHIM, 2,0t	0	
S-063	92025-057	SHIM, 2,0t	0	
S-064	92025-058	SHIM, 2,3t	0	
S-065	45014-097	SHOCK ABSORBER, rear	2	
S-066	41048-013	SHOE, brake	2	
S-067	11012-061	SILENCER, air cleaner	1	
S-068	42036-014	SLEEVE, rear hub coupling	1	
S-069	33034-008	SLEEVE, swinging arm long	1	
S-070	33034-009	SLEEVE, swinging arm short	2	
S-071	23008-032	SOCKET, head lamp	1	GB
S-072	23008-044	SOCKET, head lamp bulb	1	
S-073	25011-040	SOCKET, meter	1	
S-074	23008-042	SOCKET, parking lamp	1	
S-075	43040-004	SPACER	1	
S-076	92026-068	SPACER	1	
S-077	92026-027	SPACER, engine sprocket	1	
S-078	44028-023	SPACER, fork spring guide	2	
S-079	41039-028	SPACER, front hub bearing	1	
S-080	42010-014	SPACER, rear hub bearing	1	
S-081	92070-036	SPARK PLUG, NGK B-9HS	3	
S-082	25005-111	SPEEDOMETER ASSY, KPH	1	
S-083	25005-122	SPEEDOMETER ASSY, MPH	1	
S-084	41027-085	SPOKE ASSY, front inner	20	184,5 mm x 97°
S-085	41028-084	SPOKE ASSY, front outer	20	184 mm x 83°
S-086	41027-047	SPOKE ASSY, rear inner	20	147,5 mm x 100°

PARTS LIST SUMMARY

Ref No.	Part No.	Part Name	Total	Remarks
S-087	41028-046	SPOKE ASSY, rear outer	20	147 mm x 81°
S-088	43018-001	SPRING ASSY, return	1	
S-089	16007-007	SPRING SEAT, throttle valve	3	
S-090	27011-017	SPRING, brake lamp switch	1	
S-091	43005-022	SPRING, brake pedal	1	
S-092	43012-002	SPRING, brake rod	1	
S-093	41049-012	SPRING, brake shoe	2	
S-094	92081-042	SPRING, clutch	5	
S-095	92081-027	SPRING, coil	1	
S-096	44026-031	SPRING, fork	2	
S-097	92081-048	SPRING, fuel cock diaphragm	1	
S-098	92081-151	SPRING, gear change lever	1	
S-099	92083-002	SPRING, gear change pedal return	1	
S-100	92081-021	SPRING, kickstarter	1	
S-101	92081-020	SPRING, kickstarter pedal	1	
S-102	34023-016	SPRING, main stand	1	
S-103	92081-112	SPRING, neutral positioning pin	1	
S-104	16022-007	SPRING, pilot air adjust srew	3	
S-105	41082-001	SPRING, pin	1	
S-106	34023-005	SPRING, side stand	1	
S-107	16013-003	SPRING, starter plunger	3	
S-108	27032-001	SPRING, steering lock	1	
S-109	16022-005	SPRING, throttle stop screw	3	
S-110	16006-012	SPRING, throttle valve	3	
S-111	34011-034	STAND, main	1	
S-112	34024-039	STAND, side	1	
S-113	21003-033	STATOR	1	
S-114	35032-031	STAY, rear fender	1	
S-115	44037-096	STEM, steering	1	
S-116	44037-103	STEM, steering	1	
S-117	43022-001	STOPPER	1	
S-118	33044-002	STOPPER, chain adjuster	2	
S-119	43025-001	STOPPER, dust cover	1	
S-120	13072-006	STOPPER, kickstarter	1	
S-121	51038-005	STRAINER, fuel	1	
S-122	172GI060	STUD, 10 x 60	8	
S-123	172GI075	STUD, 10 x 75	2	
S-124	172G1090	STUD, 10 x 90	2	
S-125	172G0622	STUD, 6 x 22	3	
S-126	172G0635	STUD, 6 x 35	4	
S-127	172G0650	STUD, 6 x 50	3	
S-128	172G0675	STUD, 6 x 75	4	
S-129	172G0685	STUD, 6 x 85	1	
S-130	172G0820	STUD, 8 x 20	6	
S-131	172G0825	STUD, 8 x 25	6	
S-132	172G0835	STUD, 8 x 35	4	
S-133	172G0875	STUD, 8 x 75	12	

PARTS LIST SUMMARY

Ref No.	Part No.	Part Name	Total	Remarks
S-134	33001-084	SWINGING ARM	1	
S-135	43065-001	SWITCH ASSY, front brake	1	
S-136	27005-054	SWITCH ASSY, ignition	1	
S-137	46027-015	SWITCH ASSY, push button	1	
S-138	27010-015	SWITCH, brake lamp	1	
S-139	28019-001	SWITCH, brake switch outage indicator	1	
S-140	46044-013	SWITCH, lighting, L.H.	1	
S-141	13151-012	SWITCH, neutral indicator	1	

T-001	25015-026	TACHOMETER ASSY	1	
T-002	51001-108-3U	TANK, fuel, copper	1	
T-003	51001-108-3T	TANK, fuel, Deep Burgundy	1	
T-004	52001-034	TANK, oil	1	
T-005	41021-040	TIRE, 3,25-19 4PR	1	DUNLOP F6B
T-006	41021-041	TIRE, 4,00-18 4PR	1	DUNLOP K87 MARK II M
T-007	56007-054	TOOL KIT	1	
T-008	13136-041	TOP GEAR, drive shaft	1	26T
T-009	13137-010	TOP GEAR, output shaft	1	21T
T-010	16005-016	TOP, mixing chamber	3	
T-011	43007-027	TORQUE LINK, rear brake	1	L=374 mm
T-012	44013-032	TUBE, fork inner	2	
T-013	44005-063	TUBE, L.H. fork outer	1	
T-014	44006-061	TUBE, R.H. fork outer	1	
T-015	41022-030	TUBE, tire, 3,25-19	1	
T-016	41022-031	TUBE, tire, 4,00-18	1	
T-017	700Q05600	TUBE, vinyl, 5 x 600	1	

V-001	43017-001	VALVE ASSY, check	1	
V-002	43029-003	VALVE ASSY, check	1	
V-003	16128-008	VALVE, check	3	
V-004	16025-048	VALVE, throttle	3	CA 2,0
V-005	16089-001	V-RING, oil pump cam shaft	1	

W-001	41045-006	WASHER, brake shoe	1	
W-002	92026-022	WASHER, clutch thrust	1	
W-003	16029-004	WASHER, float valve seat	6	
W-004	44032-008	WASHER, fork cover	1	
W-005	44043-048	WASHER, fork cover	2	
W-006	27019-002	WASHER, ignition switch	1	
W-007	43031-001	WASHER, lock	1	
W-008	92024-016	WASHER, lock	3	
W-009	92024-021	WASHER, lock	1	
W-010	92024-033	WASHER, lock	1	
W-011	92024-058	WASHER, lock	1	
W-012	92024-072	WASHER, lock	1	
W-013	92088-007	WASHER, lock	3	

PARTS LIST SUMMARY

Ref No.	Part No.	Part Name	Total	Remarks
W-014	92088-023	WASHER, lock	2	
W-015	92095-012	WASHER, lock	1	
W-016	92031-001	WASHER, lock, 10 mm	3	
W-017	92024-015	WASHER, lock, 18 mm	1	
W-018	92024-067	WASHER, lock, 18 mm	1	
W-019	463G2000	WASHER, lock, 20 mm	1	
W-020	463H0600	WASHER, lock, 6 mm	1	
W-021	464H0600	WASHER, lock, 6 mm	2	
W-022	16034-001	WASHER, main jet	3	
W-023	43067-001	WASHER, oil bolt	6	
W-024	44043-044	WASHER, oil seal fitting	2	
W-025	92022-024	WASHER, plain	2	
W-026	92022-101	WASHER, plain	2	
W-027	92022-125	WASHER, plain	7	
W-028	92022-150	WASHER, plain	1	
W-029	92022-195	WASHER, plain	2	
W-030	92022-196	WASHER, plain	2	
W-031	92022-199	WASHER, plain	2	
W-032	92022-204	WASHER, plain	2	
W-033	92022-227	WASHER, plain	2	O.D.=27 mm
W-034	92022-228	WASHER, plain	4	O.D.=24 mm
W-035	92022-240	WASHER, plain	4	
W-036	410B1000	WASHER, plain, 10 mm	9	
W-037	411B1000	WASHER, plain, 10 mm	2	
W-038	92022-246	WASHER, plain, 10 mm	4	
W-039	92022-072	WASHER, plain, 12 mm	12	
W-040	23058-002	WASHER, plain, 4 mm	8	
W-041	411B0400	WASHER, plain, 4 mm	4	
W-042	410B0500	WASHER, plain, 5 mm	5	
W-043	411B0500	WASHER, plain, 5 mm	4	
W-044	410B0600	WASHER, plain, 6 mm	15	
W-045	411B0600	WASHER, plain, 6 mm	31	
W-046	411D0600	WASHER, plain, 6 mm	9	
W-047	410B0800	WASHER, plain, 8 mm	1	
W-048	411B0800	WASHER, plain, 8 mm	7	
W-049	411B0800	WASHER, plain, 8 mm	2	
W-050	92022-203	WASHER, plain, 8 mm	2	
W-051	460E1000	WASHER, spring, 10 mm	12	
W-052	461F1000	WASHER, spring, 10 mm	14	
W-053	460E1200	WASHER, spring, 12 mm	12	
W-054	461F1200	WASHER, spring, 12 mm	4	
W-055	461F0400	WASHER, spring, 4 mm	14	
W-056	461E0500	WASHER, spring, 5 mm	4	
W-057	461F0500	WASHER, spring, 5 mm	22	
W-058	461E0600	WASHER, spring, 6 mm	16	
W-059	461F0600	WASHER, spring, 6 mm	50	
W-060	460E0800	WASHER, spring, 8 mm	6	

PARTS LIST SUMMARY

Ref No.	Part No.	Part Name	Total	Remarks
W-061	461E0800	WASHER, spring, 8 mm	1	
W-062	461F0800	WASHER, spring, 8 mm	35	
W-063	92022-230	WASHER, steering stern head holt	1	
W-064	41063-001	WASHER, thrust	2	
W-065	92022-114	WASHER, thrust	1	
W-066	92022-119	WASHER, thrust	1	
W-067	92026-026	WASHER, thrust	2	
W-068	92022-159	WASHER, thrust t=0,5 mm	5	
W-069	92022-113	WASHER, thrust t=1,0 mm	6	Phosphor-Bronze
W-070	92022-223	WASHER, thrust t=1,4 mm	2	Steel
W-071	92022-112	WASHER, thrust t=1.0 mm	3	Steel
W-072	46100-003	WASHER, wave	1	
W-073	92097-003	WASHER, wave	1	
W-074	41075-001	WEIGHT, balance, 10 g	0	
W-075	41075-002	WEIGHT, balance, 20 g	0	
W-076	41075-003	WEIGHT, balance, 30 g	0	
W-077	41075-004	WEIGHT, balance, 5 g	0	
W-078	41074-047	WHEEL ASSY, front	1	
W-079	42048-021	WHEEL ASSY, rear	1	
W-080	26010-023	WIRE, battery ground lead	1	
W-081	26011-092	WIRE, battery lead	1	
W-082	26011-084	WIRE, crankcase lead	1	
W-083	26001-131	WIRING HARNESS, main	1	
W-084	510A5200	WOODRUFF KEY	1	
W-085	92038-001	WOODRUFF KEY	1	
W-086	92110-007	WRENCH BOX, 10 mm	1	
W-087	92110-012	WRENCH BOX, 17 x 21	1	
W-088	92109-009	WRENCH BOX, 27 mm	1	
W-089	92111-004	WRENCH, extender	1	
W-090	92126-012	WRENCH, hook, 22 mm	1	
W-091	92126-002	WRENCH, open end, 12 x 13	1	
W-092	92126-003	WRENCH, open end, 14 x 17	1	
W-093	92126-001	WRENCH, open end, 8 x 10	1	

Y-001	21076-022	YOKE ASSY	1	
-------	-----------	-----------	---	--