



Model

750:H2C

Exclusive Parts List

**KAWASAKI HEAVY INDUSTRIES, LTD.
ENGINE AND MOTORCYCLE GROUP**

1-1, Kawasaki-cho, Akashi Hyogo Pref. Japan

Printed No. 99997-626-51 ©

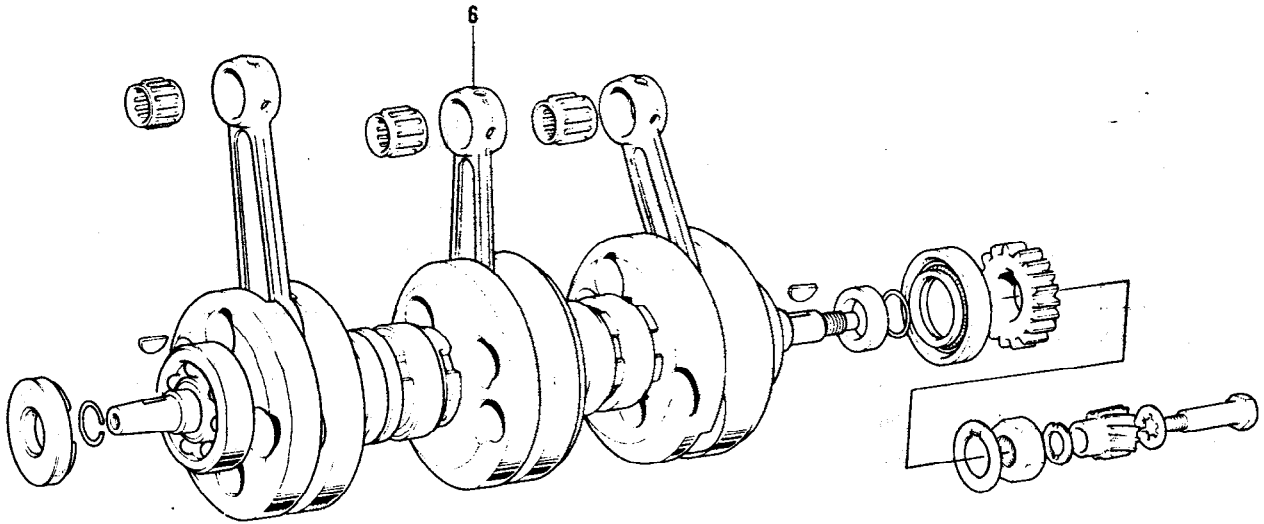


750:H2C

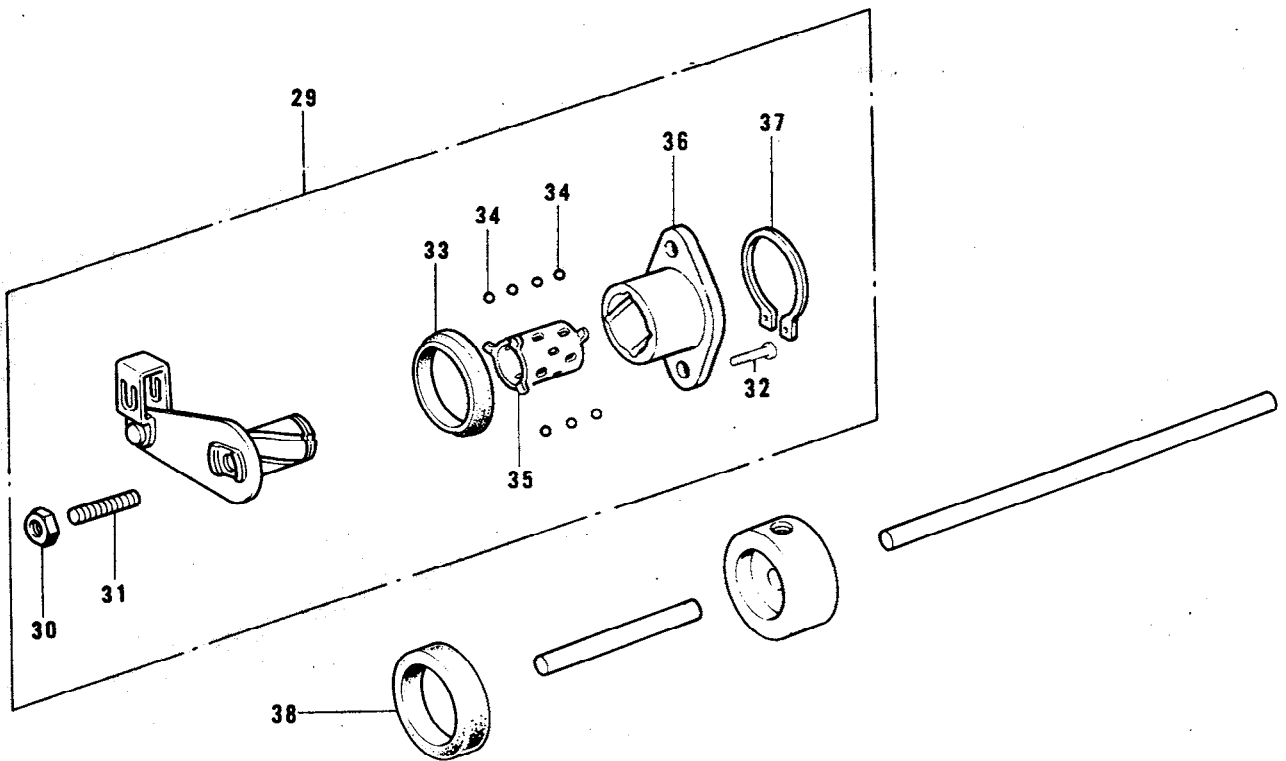
INDEX

3.	Piston, Crankshaft	1
4.	Clutch	1
8.	Engine Covers, Tachometer	3
9	Electrical Equipment for Engine	3
10.	Air Cleaner, Muffler	5
12.	Oil Pump	5
13.	Frame	7
14.	Swinging Arm, Rear Shock Absorber	7
16.	Handlebar, Grips	9
18.	Fenders	9
20.	Disc Brake Equipment A	11
24.	Fuel Tank	11
25.	Oil Tank, Side Covers	13
26.	Dual Seat	13
27.	Chain Cover, Chain	15
29.	Electrical Equipment A	15
29-1.	Electrical Equipment A	17
30.	Electrical Equipment B	17
31.	Electrical Equipment C	19
	Numerical Parts Index	22

3. Piston, Crankshaft



4. Clutch



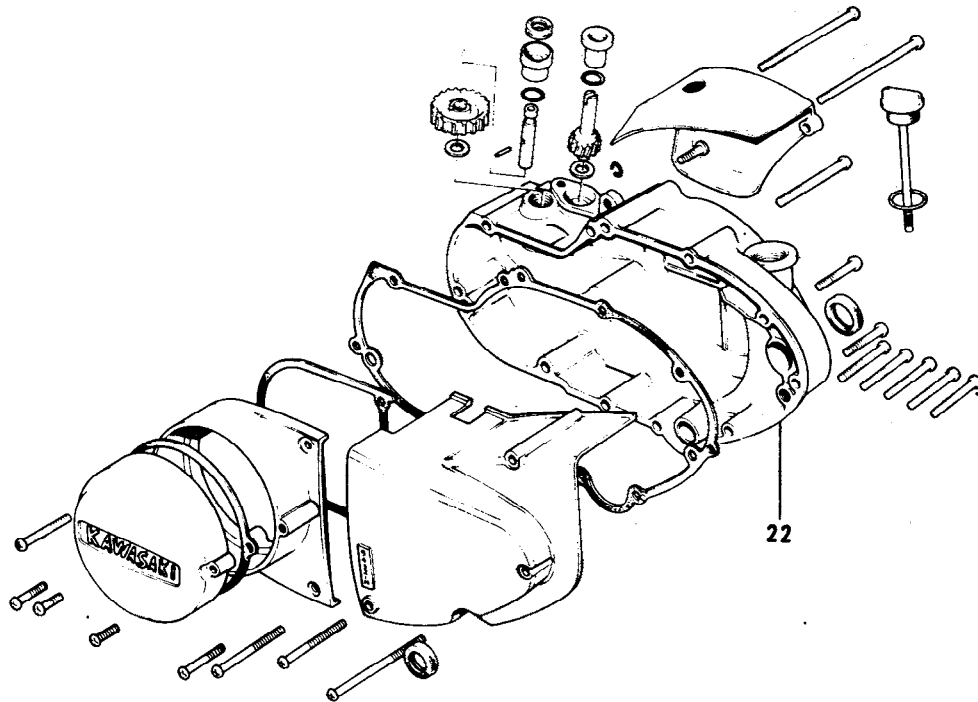
3. Piston, Crankshaft

Ref. No.	Part No.	Part Name	Quantity	Remarks
6	13031-050	CRANK & CONROD ASSY	1	

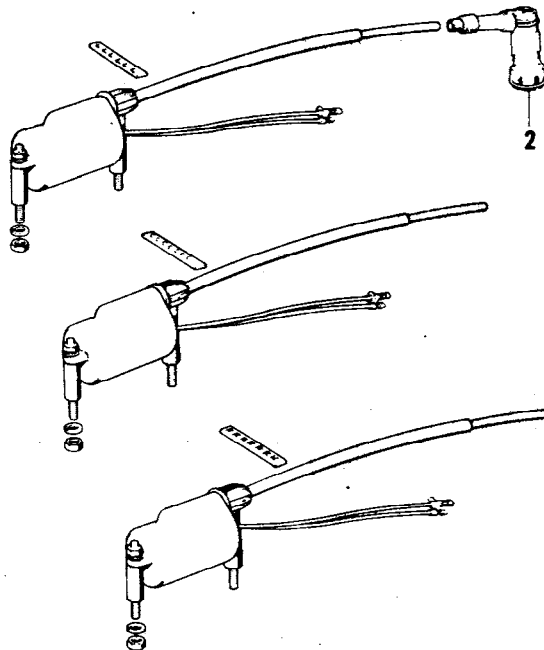
4. Clutch

Ref. No.	Part No.	Part Name	Quantity	Remarks
29	13231-018	RELEASE ASSY, clutch	1	
30	311B0600	NUT, 6 m/m	1	
31	291Z0625	SCREW, slotted, 6 x 25	1	
32	220B0616	SCREW, pan head, 6 x 16	2	
33	92056-007	OIL SEAL	1	
34	600A0400	BALL, steel, 1/8"	11	
35	13197-006	RETAINER	1	
36	13118-015	OUTER, clutch release	1	
37	480J1500	CIRCLIP, 15 m/m	1	
38	92050-070	OIL SEAL	1	

8. Engine Covers, Tachometer



9. Electrical Equipment for Engine



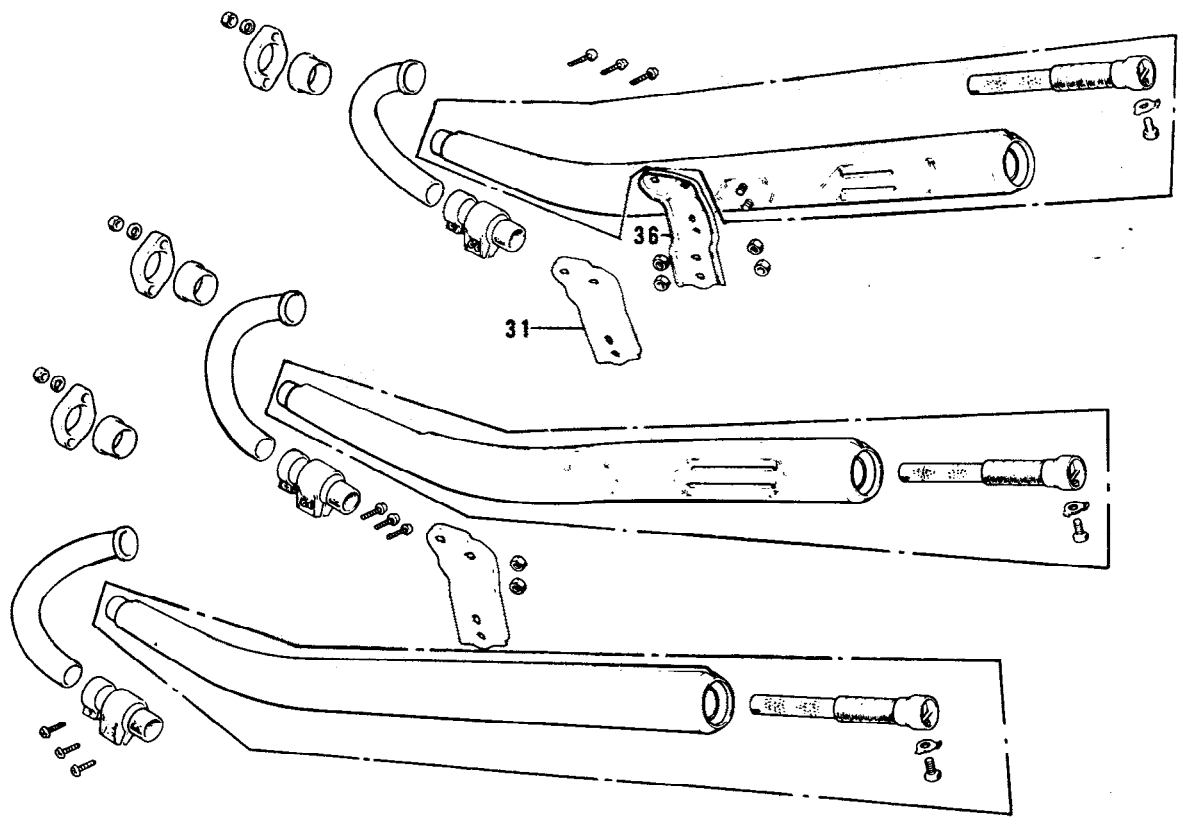
8. Engine Covers, Tachometer

Ref. No.	Part No.	Part Name	Quantity	Remarks
22	14032-098-80	COVER, R.H. engine	1	Buff Finish

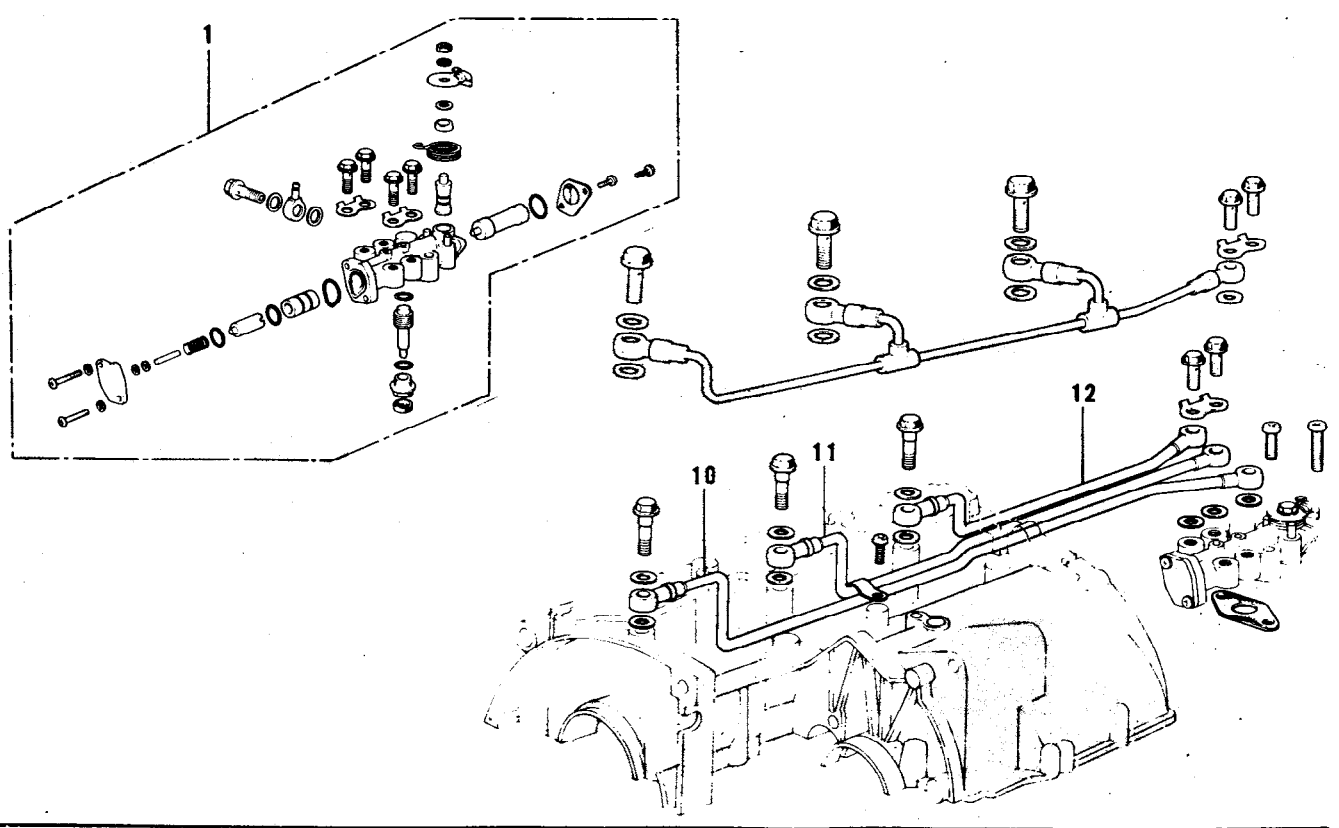
9. Electrical Equipment for Engine

Ref. No.	Part No.	Part Name	Quantity	Remarks
2	21130-023	CAP, spark plug	3	
		P/No. 92101-001 is not required for European Market.		

10. Air Cleaner, Mufflers



12. Oil Pump



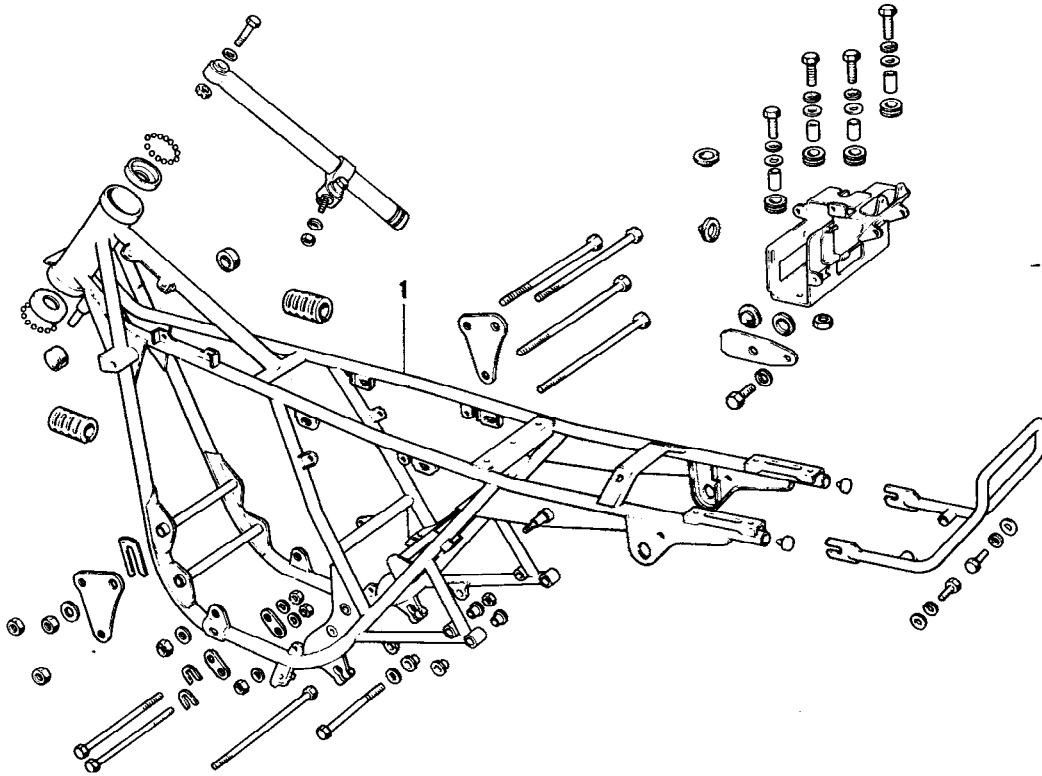
10. Air Cleaner, Mufflers

Ref. No.	Part No.	Part Name	Quantity	Remarks
31	18061-052	BRACKET, center muffler	1	
36	18061-053	BRACKET, R.H. muffler	1	

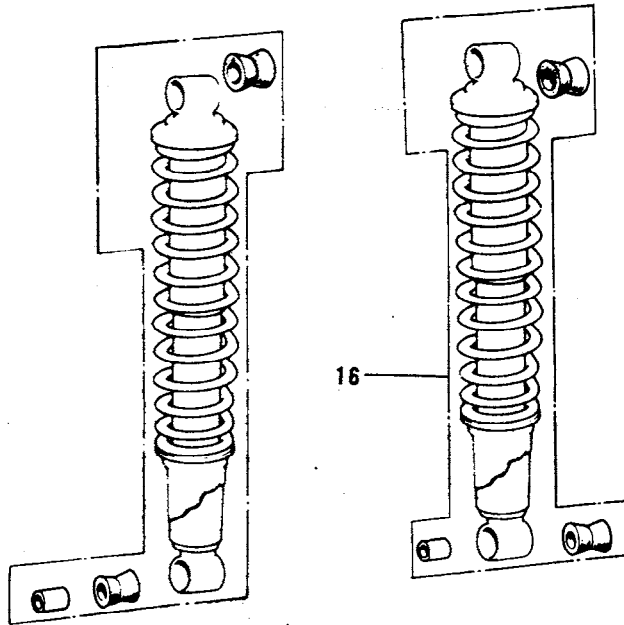
12. Oil Pump

Ref. No.	Part No.	Part Name	Quantity	Remarks
1	16082-060	OIL PUMP ASSY	1	
10	16134-024	PIPE, oil, L.H.	1	L=340m/m
11	16134-025	PIPE, oil, CENTER	1	L=240m/m
12	16134-026	PIPE, oil, R.H.	1	L=270m/m

13. Frame



14. Swinging Arm, Rear Shock Absorber



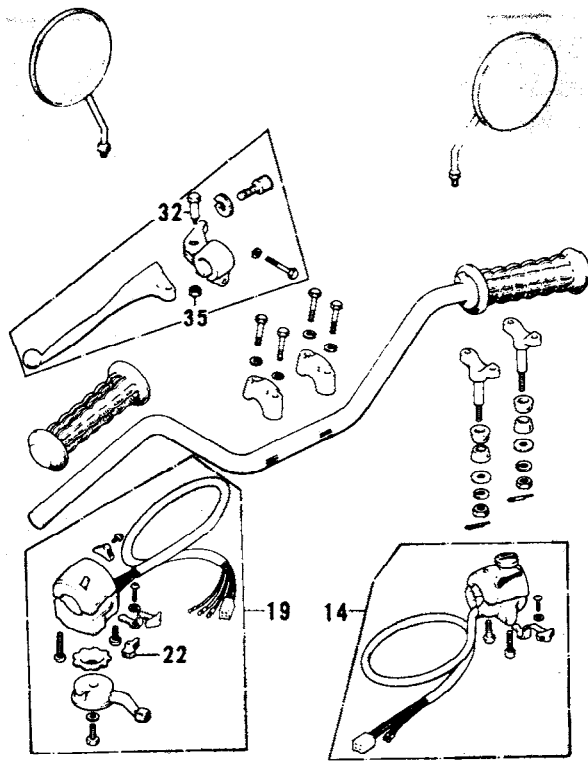
13. Frame

Ref. No.	Part No.	Part Name	Quantity	Remarks
1	32002-107	FRAME	1	

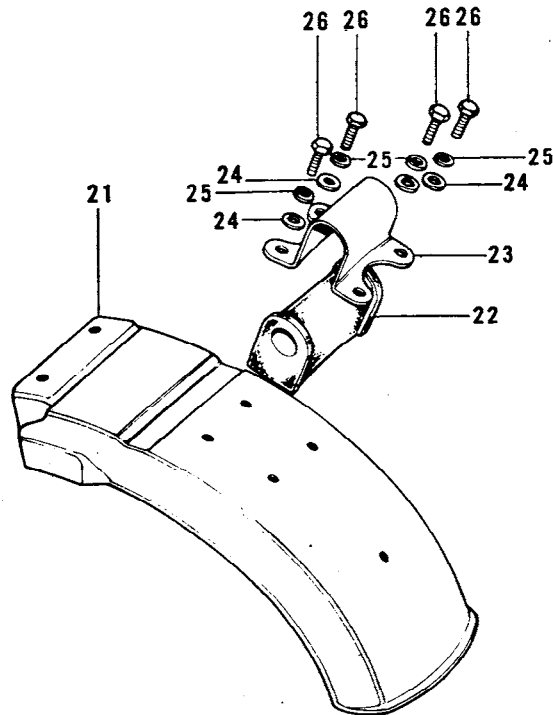
14. Swinging Arm, Rear Shock Absorber

Ref. No.	Part No.	Part Name	Quantity	Remarks
16	45014-102	SHOCK ABSORBER, rear	2	

16. Handlebar, Grips



18. Fenders



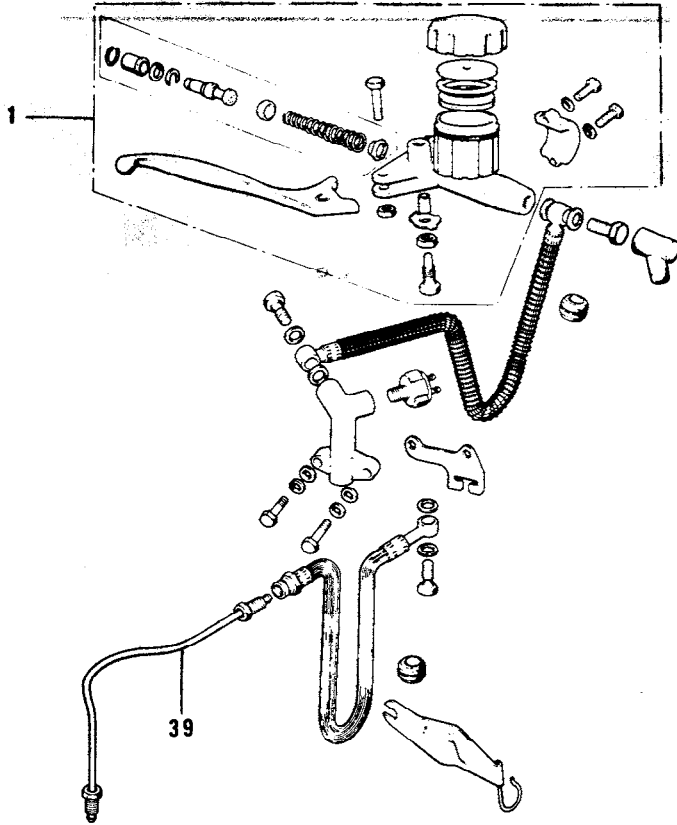
16. Handlebar, Grips

Ref. No.	Part No.	Part Name	Quantity	Remarks
14	46132-012	CASE ASSY, R.H.	1	
19	46091-033	CASE ASSY, L.H.	1	
22	46027-015	SWITCH ASSY, push button	1	
23,24		Not required for P/No. 46027-015		
32	92007-046	BOLT, hex head, 5 x 22	1	
33,34		Not required for P/No. 92007-046		
35	92019-014	NUT, lock, 5 m/m	1	

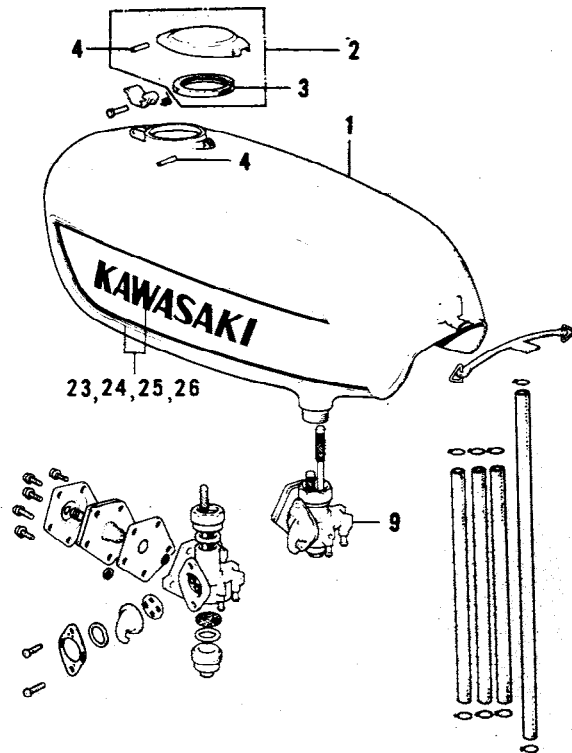
18. Fenders

Ref. No.	Part No.	Part Name	Quantity	Remarks
21	35022-096	FENDER, rear	1	
22	92075-211	DAMPER RUBBER, rear fender	1	
23	35026-009	BRACKET, rear fender	1	
24	411B0600	WASHER, plain, 6 m/m	4	
25	461F0600	WASHER, spring, 6 m/m	4	
26	110B0612	BOLT, hex head, 6 x 12	4	

20. Disc Brake Equipment A



24. Fuel Tank



20. Disc Brake Equipment A

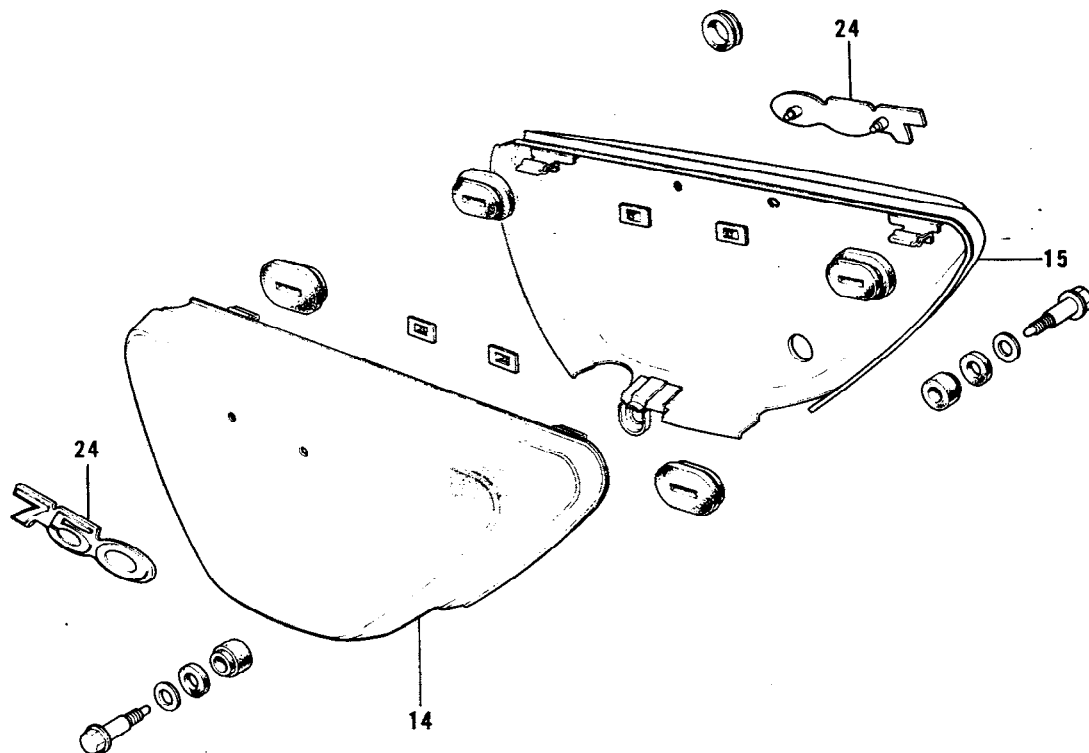
Ref. No.	Part No.	Part Name	Quantity	Remarks
1	43015-009	CYLINDER ASSY, master	1	
39	43060-007	PIPE, bridge	1	

24. Fuel Tank

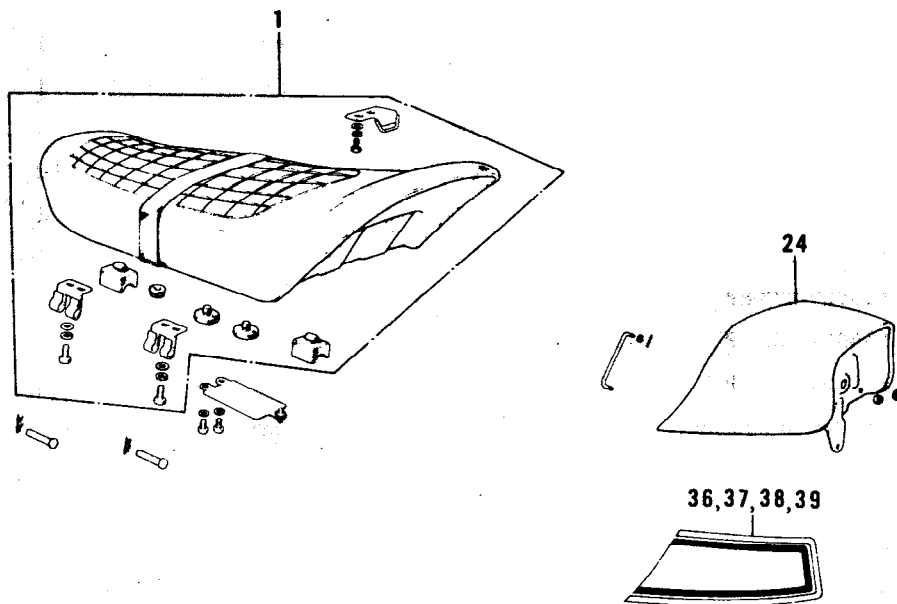
Ref. No.	Part No.	Part Name	Quantity	Remarks
1	51001-102-2U	TANK, fuel, Candytone Purple	1	
	51001-102-2V	TANK, fuel, Candytone Super Red	1	
2	51048-007	CAP ASSY, fuel tank	1	
3	51059-008	GASKET, fuel tank cap	1	
4	92043-096	PIN, fuel tank cap fitting	2	
9	51023-040	COCK ASSY, fuel	1	
23	*56027-272-SP	DECAL, fuel tank, L.H.	1	} Use for Candytone Purple
24	*56027-273-SP	DECAL, fuel tank, R.H.	1	
25	*56027-233-SP	DECAL, fuel tank, L.H.	1	} Use for Candytone Super Red
26	*56027-234-SP	DECAL, fuel tank, R.H.	1	

* Special Solution is required for these transfer type marks.

25. Oil Tank, Side Covers



26. Dual Seat



25. Oil Tank, Side Covers

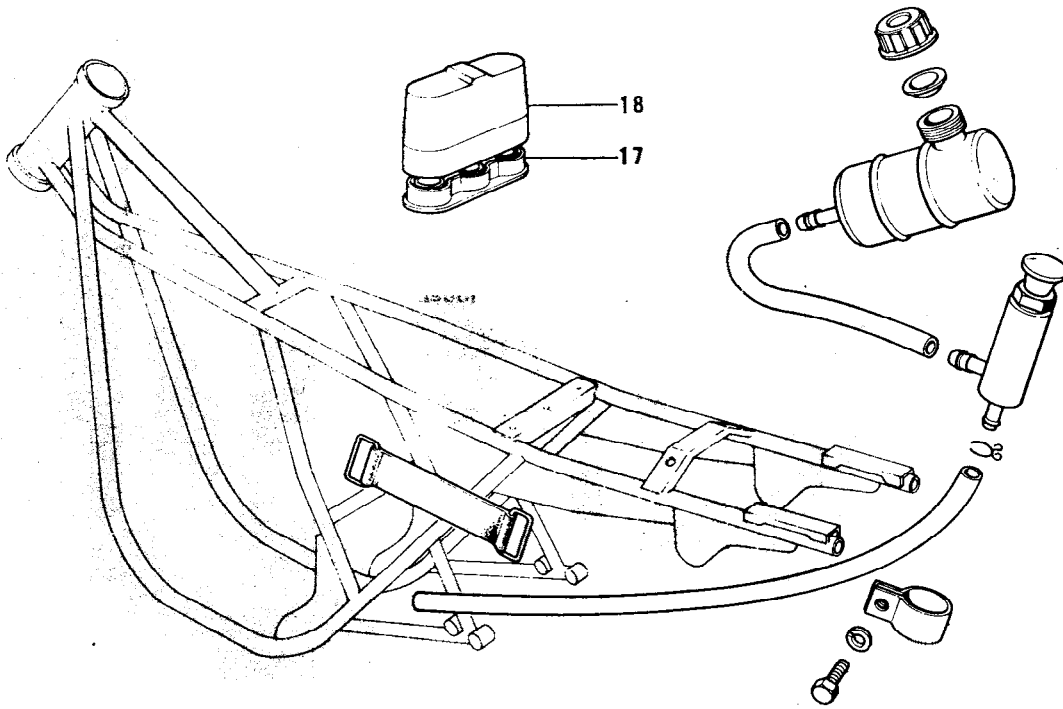
Ref. No.	Part No.	Part Name	Quantity	Remarks
14	36001-042-2U	COVER, L.H. side, Candytone Purple	1	
	36001-042-2V	COVER, L.H. side, Candytone Super Red	1	
15	36007-036-2U	COVER, R.H. side, Candytone Purple	1	
	36007-036-2V	COVER, R.H. side, Candytone Super Red	1	
24	56018-194	EMBLEM, side cover	2	
25		Not required for H2C Model.		

26. Dual Seat

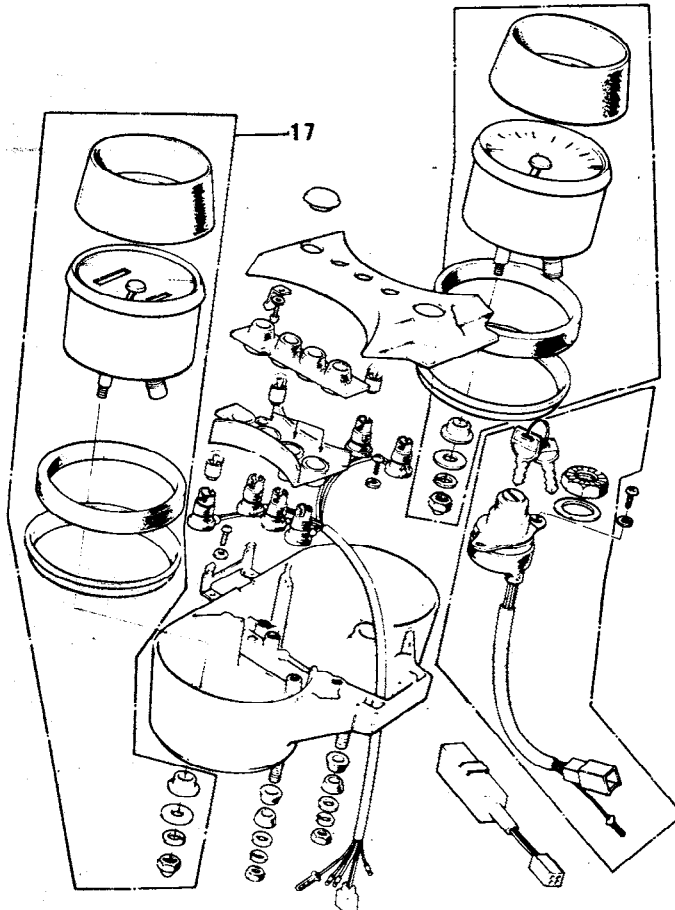
Ref. No.	Part No.	Part Name	Quantity	Remarks
1	53001-112	SEAT ASSY, dual	1	
24	53043-007-2U	BACK REST, Candytone Purple	1	
	53043-007-2V	BACK REST, Candytone Super Red	1	
36	*56027-241-SP	DECAL, L.H. back rest	1	} Use for Candytone Super Red
37	*56027-242-SP	DECAL, R.H. back rest	1	
38	*56027-268-SP	DECAL, L.H. back rest	1	} Use for Candytone Purple
39	*56027-269-SP	DECAL, R.H. back rest	1	

* Special Solution is required for these transfer type marks.

27. Chain Cover, Chain



29. Electrical Equipment A



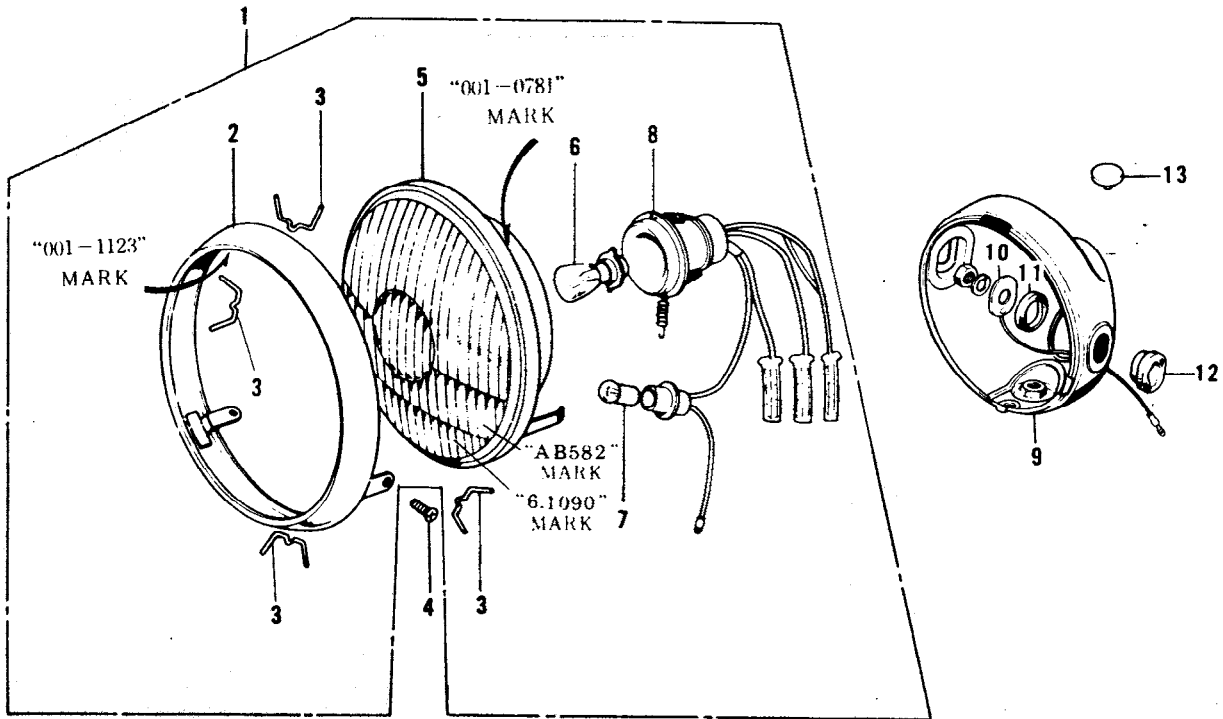
27. Chain Cover, Chain

Ref. No.	Part No.	Part Name	Quantity	Remarks
17	32132-002	HOLDER, spark plug cover	1	
18	32132-003	COVER, spark plug	1	

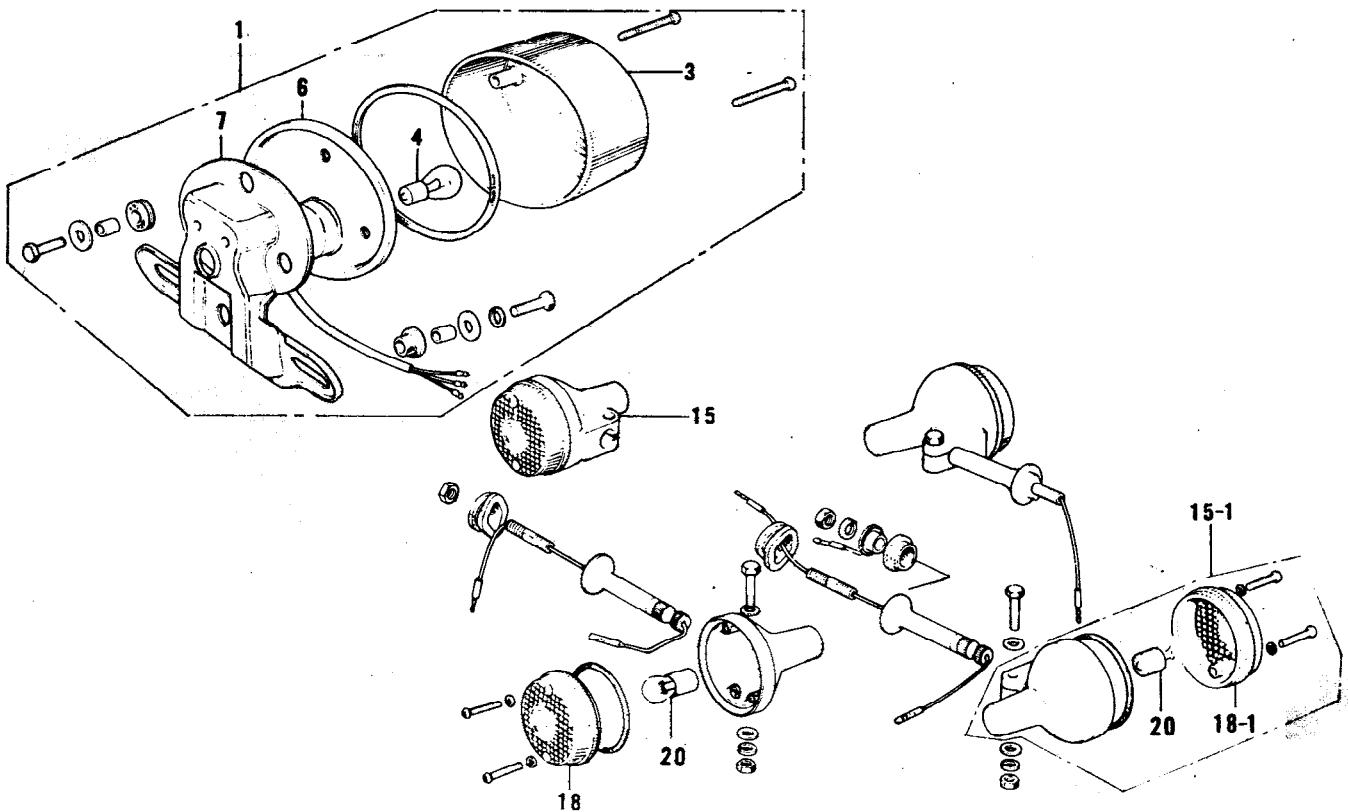
29. Electrical Equipment A

Ref. No.	Part No.	Part Name	Quantity	Remarks
17	25005-122	SPEEDOMETER ASSY, MPH	1	
	25005-111	SPEEDOMETER ASSY, KPH	1	

29-1. Electrical Equipment A



30. Electrical Equipment B



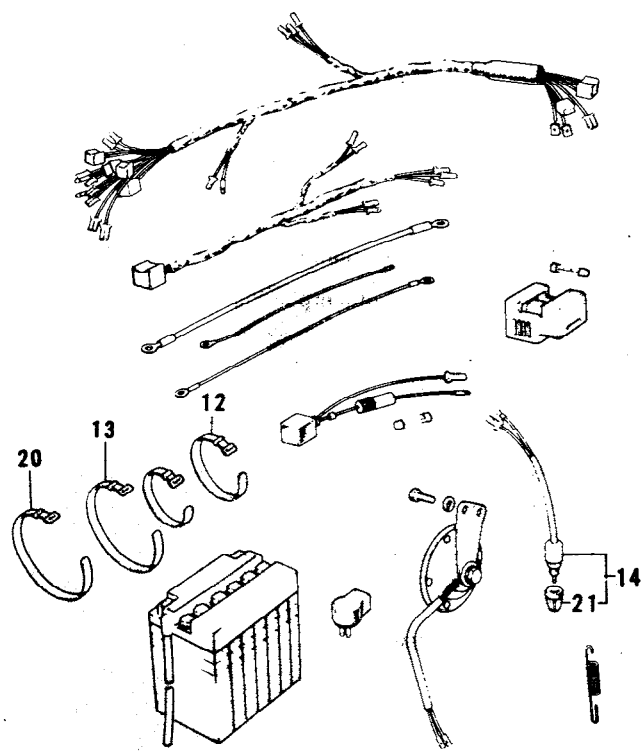
29-1. Electrical Equipment A

Ref. No.	Part No.	Part Name	Quantity	Remarks
1	23004-052	LAMP UNIT, head	1	
	23004-062	LAMP UNIT, head	ALT	
2	23006-031	RIM, head lamp	1	
3	23009-012	CLAMP, head lamp lens unit	1	
4	23019-022	SCREW, pan head, 5 x 14	2	
5	23007-035	LENS UNIT, head lamp	1	
	23007-065	LENS UNIT, head lamp	ALT	
6		BULB, 12V 35/35W	1	} Local Procurement Item
7		BULB, 12V 4W	1	
8	23008-032	SOCKET, head lamp	1	
9	23005-037-21	BODY, head lamp	1	Flat Black
10	23076-005	COLLAR	2	
11	23066-005	DAMPER RUBBER B	2	
12	23066-001	DAMPER RUBBER A	2	
13	92074-006	PLUG, head lamp body	1	

30. Electrical Equipment B

Ref. No.	Part No.	Part Name	Quantity	Remarks
1	23024-030-21	LAMP ASSY, tail	1	Flat Black
3	23026-027	LENS, tail lamp	1	
4		BULE, 12V 21/5W	1	Local Procurement Item
6	23027-036	CASE, tail lamp	1	
7	23036-027-21	BRACKET, license plate	1	Flat Black
15	23040-047	LAMP ASSY, front turn signal	2	
15-1	23040-048	LAMP ASSY, rear turn signal	2	
18	23048-012	LENS, front turn signal lamp	2	
18-1	23048-015	LENS, rear turn signal lamp	2	
20		BULB, 12V 21W	4	Local Procurement Item

31. Electrical Equipment C



31. Electrical Equipment C

Ref. No.	Part No.	Part Name	Quantity	Remarks
5		Not required for H2C Model		
12	92072-031	BAND, rubber	2	L=149m/m
13	92072-056	BAND, rubber	1	L=186m/m
14	27010-023	SWITCH, brake light	1	
20	92072-032	BAND, rubber	2	L=214m/m
21	27037-001	NUT, brake lamp switch	1	

Numerical Parts Index

* : Indicates the Newly developed parts for Kawasaki 750 Model H2C

Part No.	Page	Q'ty	Part No.	Page	Q'ty
110B0612	10	4	43015-0C9	12	1
13031-05C	2	1	4306C-CC7	12	1
13118-015	2	1	45014-102	9	2
13197-CC6	2	1	46027-015	10	1
13231-018	2	1	46091-C33	10	1
14032-098-80	4	1	461F0600	10	4
* 16082-06C	6	1	46132-C12	10	1
16134-024	6	1	48CJ150C	2	1
16134-025	6	1	* 51001-102-2U	12	1
16134-026	6	1	* 51001-102-2V	12	1
18061-052	6	1	51023-040	12	1
18061-053	6	1	51048-CC7	12	1
21130-023	4	3	51059-0C8	12	1
22080616	2	2	* 53001-112	14	1
23004-052	18	1	* 53043-007-2U	14	1
23004-062	18		* 53043-007-2V	14	1
23005-037-21	18	1	* 56018-194	14	2
23006-031	18	1	* 56027-233-SP	12	1
23007-035	18	1	* 56027-234-SP	12	1
23007-065	18		* 56027-241-SP	14	1
23008-032	18	1	* 56027-242-SP	14	1
23009-012	18	1	* 56027-268-SP	14	1
23019-022	18	2	* 56027-269-SP	14	1
23024-030-21	18	1	* 56027-272-SP	12	1
23026-027	18	1	* 56027-273-SP	12	1
23027-036	18	1	60CAC400	2	11
23036-027-21	18	1	92007-046	10	1
23040-047	18	2	92019-C14	10	1
23040-048	18	2	92043-C96	12	2
23048-012	18	2	92050-070	2	1
23048-015	18	2	92056-CC7	2	1
23066-CC1	18	2	92072-031	20	2
23066-005	18	2	92072-032	20	2
23076-CC5	18	2	92072-056	20	1
25005-122	16	1	92074-006	18	1
25005-111	16	1	92075-211	10	1
* 27010-023	20	1			
27037-001	20	1			
29120625	2	1			
31180600	2	1			
* 32002-107	8	1			
32132-CC2	16	1			
32132-CC3	16	1			
35022-C96	10	1			
35026-CC9	10	1			
* 36001-042-2U	14	1			
* 36001-042-2V	14	1			
* 36007-036-2U	14	1			
* 36007-036-2V	14	1			
41130600	10	4			