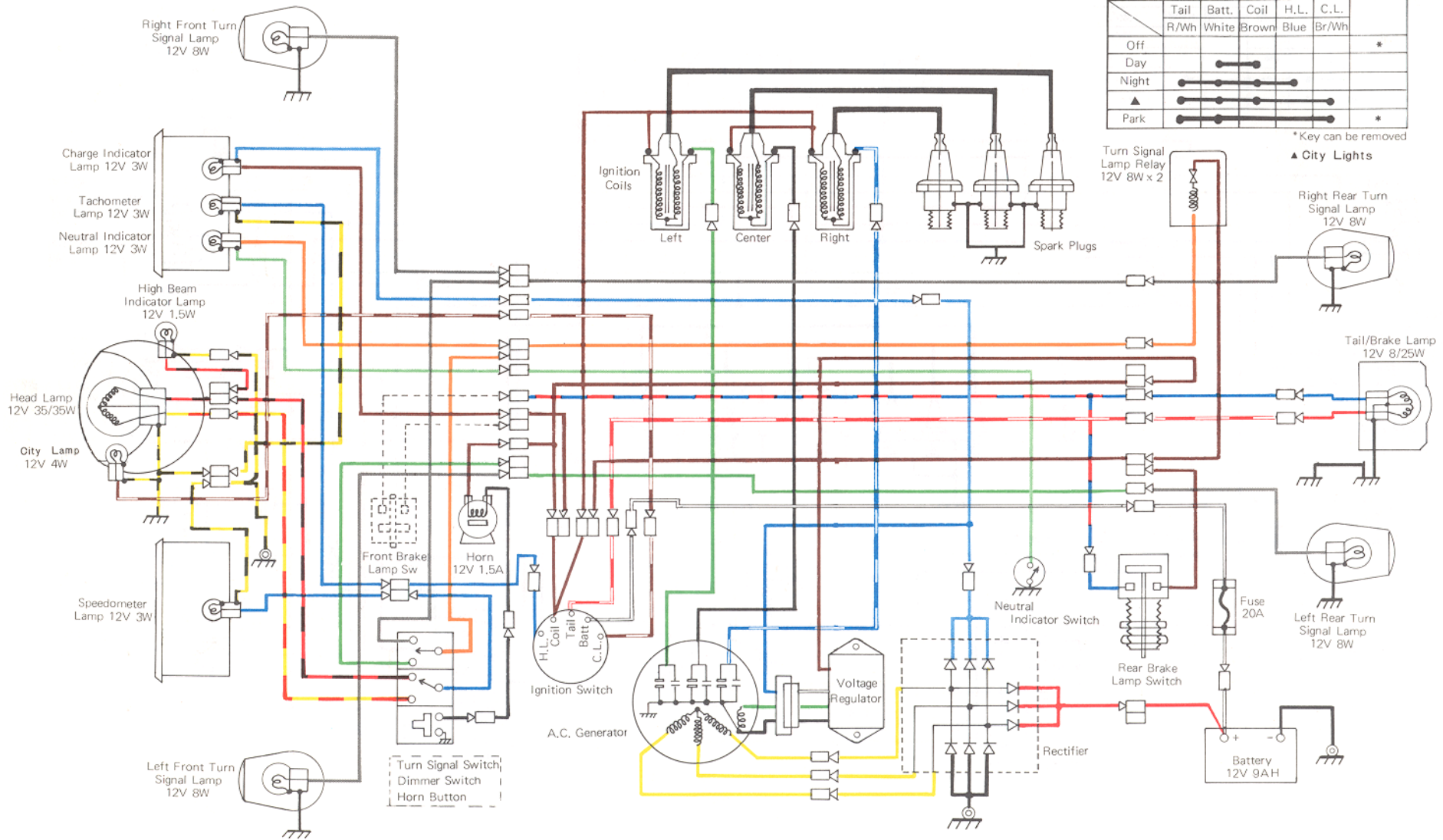


H1 Wiring Diagram

European Model, through 1971



Ignition Switch Connections

| | Tail R/Wh | Batt. White | Coil Brown | H.L. Blue | C.L. Br/Wh | |
|-------|--------------|----------------|---------------|--------------|---------------|---|
| Off | | | | | | * |
| Day | | ● | ● | | | |
| Night | ● | ● | ● | ● | | |
| ▲ | ● | ● | ● | ● | ● | |
| Park | ● | ● | ● | | | * |

*Key can be removed

▲ City Lights