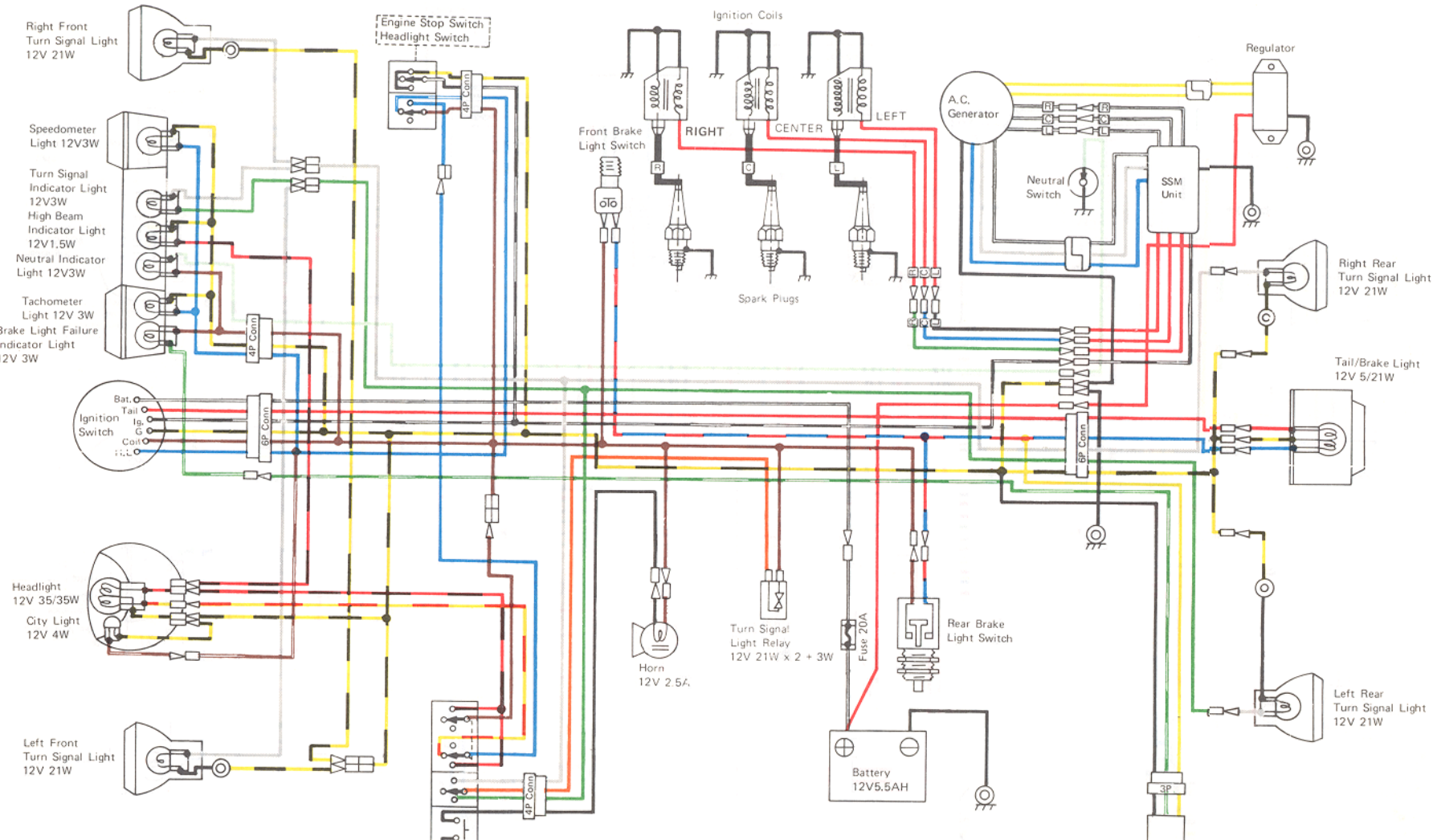


H2-B Wiring Diagram (European Model)



*France
12V 36/36W
Germany
12V 35/35W

Passing Switch
Dimmer Switch
Turn Signal Switch
Horn Button

Ignition Switch Internal Connection

Lead	Ignition	Ground	H.L	Tail	Battery	Coil
Color	Bk/W	Bk/Y	Bl	R/W	W	Br
OFF	●—●					
ON			●—●		●—●	
PARK	●—●			●—●		