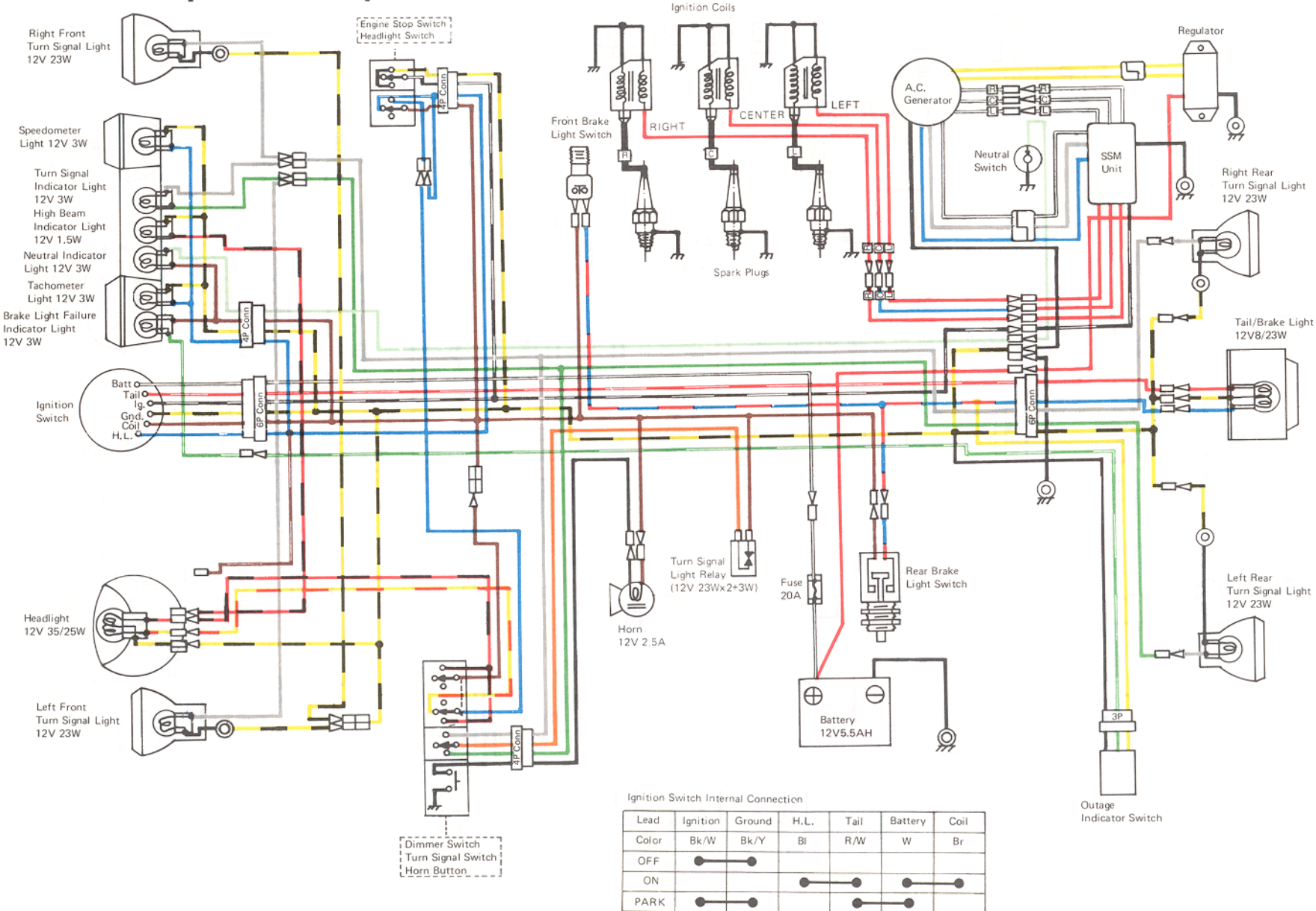


# H2-B Wiring Diagram (US Model)



Ignition Switch Internal Connection

Lead	Ignition	Ground	H.L.	Tail	Battery	Coil
Color	Bk/W	Bk/Y	Bl	R/W	W	Br
OFF	● — ●				● — ●	
ON			● — ●			● — ●
PARK	● — ●			● — ●		