

KAWASAKI 500 H-1

Special Parts List for European Market

10 July 1969

KAWASAKI HEAVY INDUSTRIES, LTD.

MOTORCYCLE DIVISION

No. 25 Shiba Park, Minato-ku, Tokyo, Japan. CNo. 6915

KAWASAKI 500 H-1

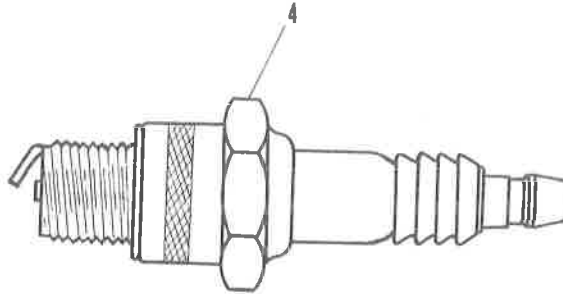
Special Parts List

INDEX

1. Cylinder Head, Cylinder	1
8. Engine Covers, Tachometer	1
9. Electrical Equipment for Engine.....	3
10. Air Cleaner, Mufflers	5
11. Carburetors	5
18. Fenders	7
26. Electrical Equipment (A) Head Lamp.....	7
27. Electrical Equipment (B)	9
29. Optional Parts for European Market.....	9
Numerical Parts Index (New Part No. Sequence)	11,12
Numerical Parts Index (Old Part No. Sequence)	12
Standard Hardwares Index (Part No. Sequence)	13

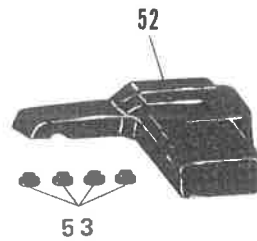
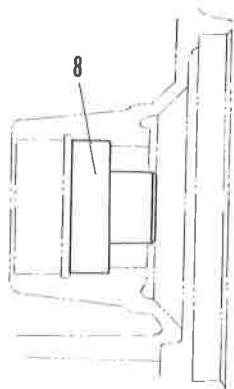
1. Cylinder Head, Cylinder

*Special Parts for the Machine without C.D.I. Ignition System.



8. Engine Covers, Tachometer

* Special Parts for the Machine without C.D.I. Ignition System.



1. Cylinder Head, Cylinder

* Special Parts for the Machine without C.D.I. Ignition System.

Ref. No.	D.P. No.	New Part No. (Old Part No.)	Part Name	Quantity	Remarks
4	1026348	92070-011 (A1011-8310)	Spark Plug	3	NGK B-9HC

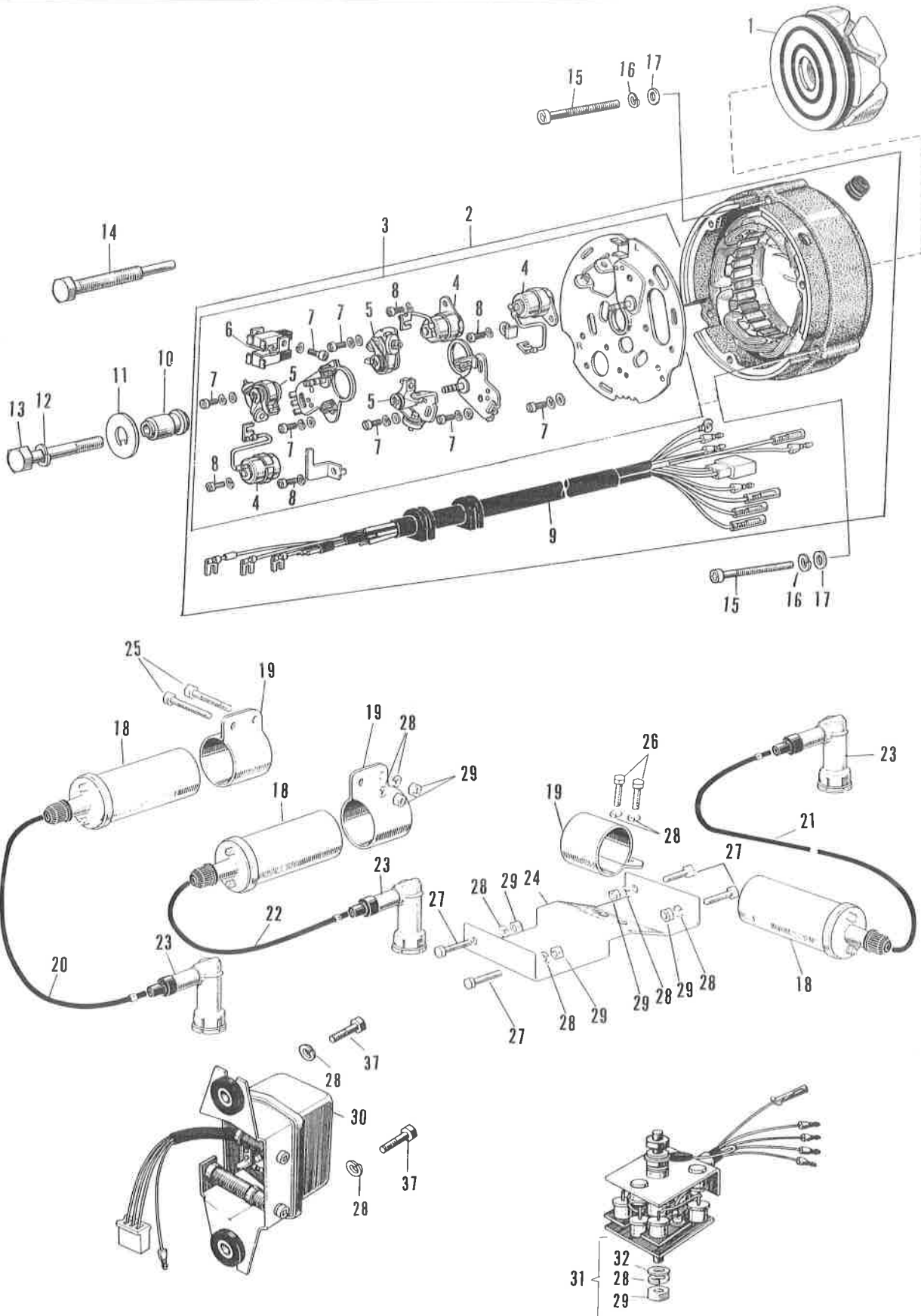
8. Engine Covers, Tachometer

* Special Parts for the Machine without C.D.I. Ignition System.

Ref. No.	D.P. No.	New Part No. (Old Part No.)	Part Name	Quantity	Remarks
8		92084-003	R.H. Engine Cover Plug	1	
52		92071-040	High Tension Cord Grommet	1	
53		92084-005	High Tension Cord Grommet Plug	4	
Ref. No. 3 ~ 7, 19, 27 ~ 29, 38 ~ 42 and 46 ~ 51 are not required for this Machine.					

9. Electrical Equipment for Engine

* Special Parts for the Machine without C.D.I. Ignition System.



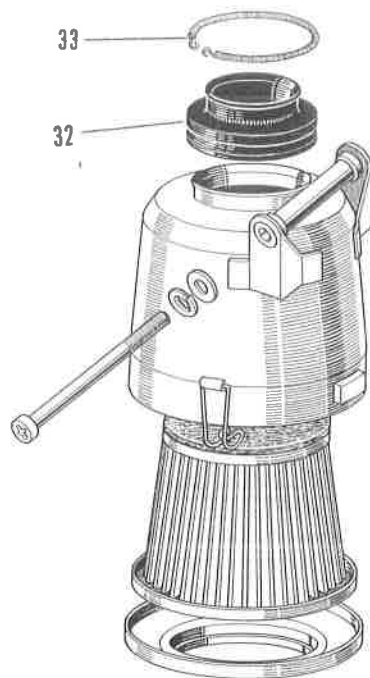
9. Electrical Equipment for Engine.

* Special Parts for the Machine without C.D.I. Ignition System.

Ref. No.	D.P. No.	New Part No. (Old Part No.)	Part Name	Quantity	Remarks
1		21007-016	Rotor	1	
2		21076-008	Stator Ass'y	1	
3		21018-001	Breaker Ass'y	1	
4		21013-015	Condenser	3	
5		21082-007	Contact Breaker Point	3	
6		21088-009	Carbon Brush & Holder	1	
7		21085-004 (311-9211)	4 x 8 Pan Head Screw	10	I.S.O. Thread
8		21085-006 (311-9212)	4 x 5 Pan Head Screw	4	I.S.O. Thread
9		21029-011	Wiring Harness Complete	1	
10		21103-004	Cam	1	
11		21106-003	Cam Plate	1	
12	1065149	461F0800	8 m/m Spring Washer	1	
13	1042815	110B0871	8 x 71 Hex Head Bolt	1	
14		21012-001	Rotor Puller	If necessary	
15	1121189	220E0555A	5 x 55 Pan Head Screw	3	I.S.O. Thread
16	1065114	461F0500	5 m/m Spring Washer	3	
17	1064819	411B0500	5 m/m Plain Washer	3	
18,19		21121-037	Ignition Coil	3	
19		21126-004	Ignition Coil Band	3	
20		21133-016	High Tension Cord	1	for L.H.
21		21133-017	High Tension Cord	1	for Center
22		21133-018	High Tension Cord	1	for R.H.
23		21130-013	Spark Plug Cap	3	
24		32058-017	Ignition Coil Bracket	1	
25	1042599	110B0640	6 x 40 Hex Head Bolt	2	
26	1042467	110B0614	6 x 14 Hex Head Bolt	2	
27	1042459	110B0612	6 x 12 Hex Head Bolt	2	
28	1065122	461F0600	6 m/m Spring Washer	10	
29	1054872	310B0600	6 m/m Nut	8	
30	1117912	21072-004	Voltage Regulator	1	
31	1117939	21061-008	Rectifier	1	
32	1064827	411B0600	6 m/m Plain Washer	2	

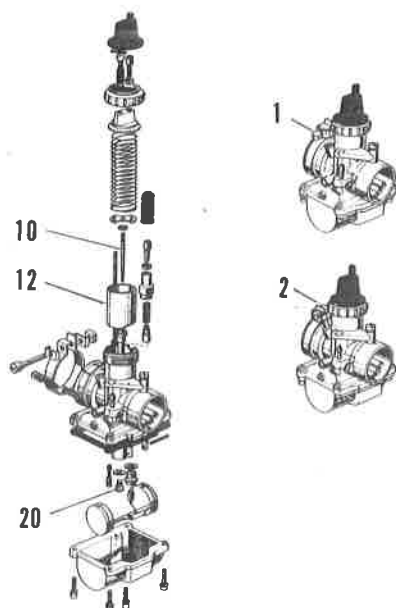
10. Air Cleaner Mufflers

* Optional Parts for Eruoepan Market.



11. Carburetors

* Special Parts for the Machine without C.D.I. Ignition System.



10. Air Cleaner Mufflers

*Optional Parts for European Market.

Ref. No.	D.P. No.	New Part No. (Old Part No.)	Part Name	Quantity	Remarks
32		11016-003	Silencer	1	
33		92081-063	Coil Spring	1	

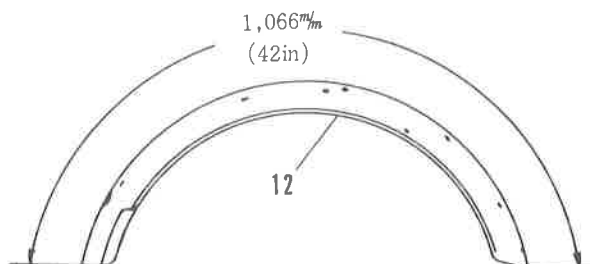
11. Carburetors

*Special Parts for the Machine without C.D.I. Ignition System.

Ref. No.	D.P. No.	New Part No. (Old Part No.)	Part Name	Quantity	Remarks
1		16001-107	Carburetor Ass'y	1	
2		16001-106	Carburetor Ass'y	2	
10		16009-025	Jet Needle	1 x 3	hp-3
12	1109596	16025-014 (F21410-6126)	Throttle Valve	1 x 3	CA2.5
20	1125168	92063-093 (MJ-85R)	Main Jet No.85		Option
	1125176	92063-094 (MJ-87.5R)	Main Jet No.87.5		Option
	1125184	92063-095 (MJ-90R)	Main Jet No.90	1 x 3	STD
	1111132	92063-068 (MJ-92.5R)	Main Jet No.92.5		Option
	1111159	92063-069 (MJ-95R)	Main Jet No.95		Option

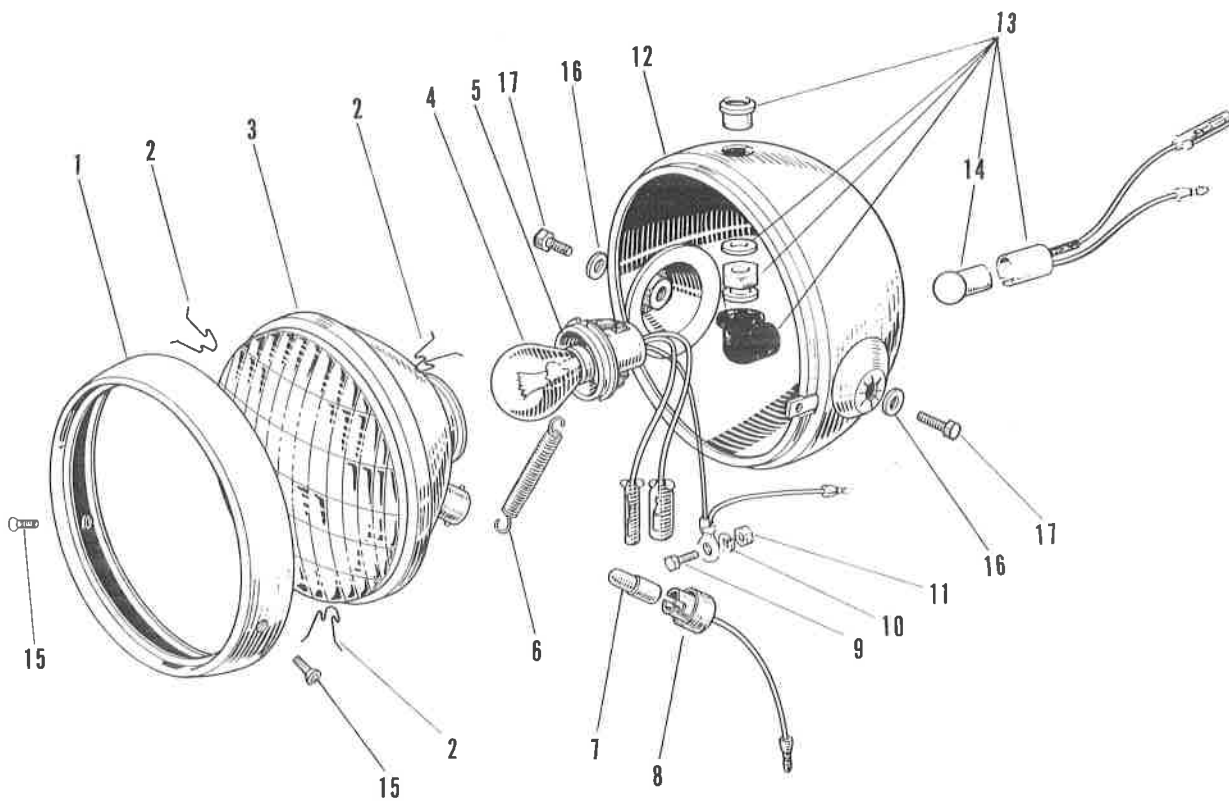
18. Fenders

* Special Parts for European Market.



26. Electrical Equipment (A) Head Lamp

* Special Parts for European Market.



18. Fenders

* Special Parts for European Market.

Ref. No.	D.P. No.	New Part No. (Old Part No.)	Part Name	Quantity	Remarks
12		35022-041	Rear Fender	1	Long Type

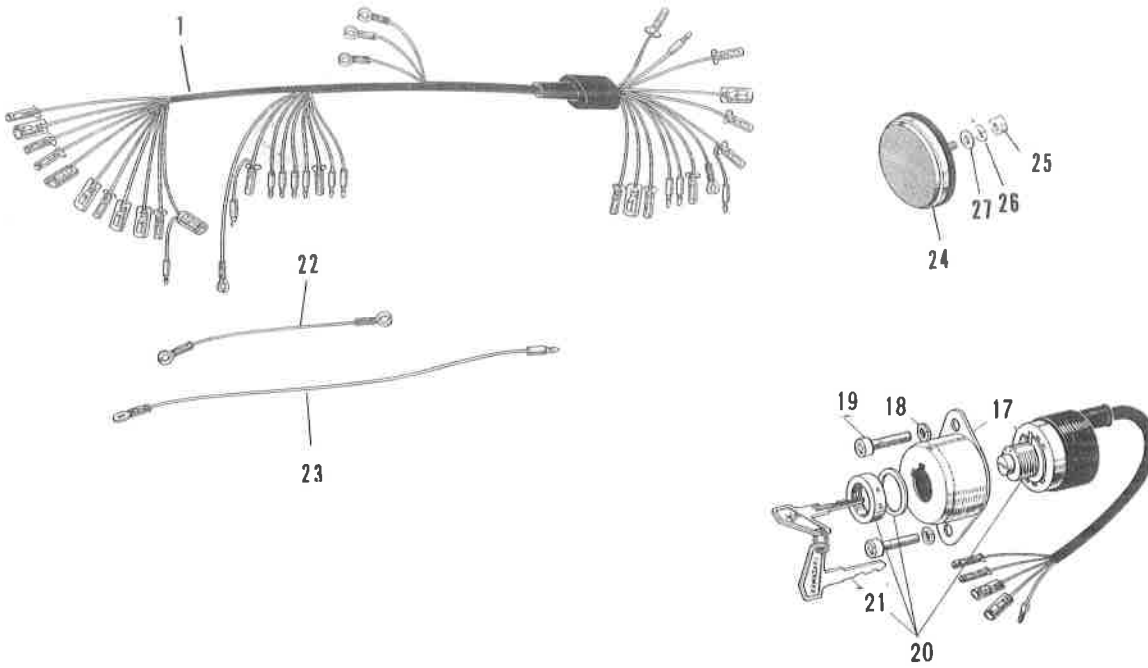
26. Electrical Equipment (A) Head Lamp

* Special Parts for European Market.

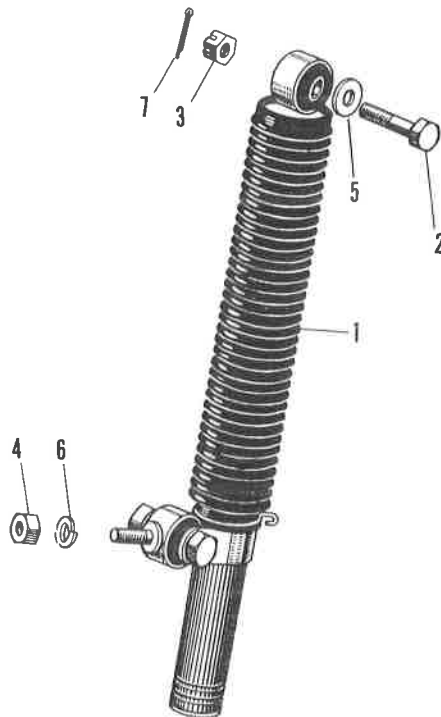
Ref. No.	D.P. No.	New Part No. (Old Part No.)	Part Name	Quantity	Remarks
1 8		23004-017	Head Lamp Unit	1	
1		23006-022	Head Lamp Rim	1	
2		23009-010	Head Lamp Lens Clamp Spring	3	
3		23007-019	Head Lamp Lens Unit	1	
4		92069-045 (754 622-7107)	Head Lamp Bulb 12V 35/35W	1	Spoon Type
5,6		23008-017	Head Lamp Socket	1	
7		92069-046	12V 4W Bulb	1	
8		23008-018 (717 502-7117)	Parking Lamp Socket	1	
9	1120964	211B0306A	3 x 6 Pan Head Screw	1	I.S.O. Thread
10	1065106	461F0300	3 m/m Spring Washer	1	
11	1121219	310B0300A	3 m/m Nut	1	I.S.O. Thread
12	1120646	23005-023	Head Lamp Body	1	
13	1090925	23016-002 (788 630-7103)	High Beam Indicator Lamp Ass'y	1	
14	1058983	92069-017 (310-5312)	12V 1.5W Bulb	1	
15	1121162	222E0510A	5 x 10 Oval Countersunk Head Screw	2	I.S.O. Thread
16	1065157	461F1000	10 m/m Spring Washer	2	
17	1040286	92007-011 (W1020-9028)	Head Lamp Fitting Bolt	2	

27. Electrical Equipment (B)

* Special Parts for the Machine without C.D.I. Ignition System.



29. Optional Parts for European Market



27. Electrical Equipment (B)

* Special Parts for the Machine without C.D.I. Ignition System.

Ref. No.	D.P. No.	New Part No. (Old Part No.)	Part Name	Quantity	Remarks
1		26001-041	Main Wiring Harness	1	
17		27009-006	Ignition Switch Housing	1	
20		27005-017	Ignition Switch Ass'y	1	
21		27008-028	Key Set	1	No.526~No.530
22	1073044	26011-015 (6020-9164)	Coil Wire A	1	
23		26011-037	Lead Wire	1	
24		28012-005 (2020-E019-6)	Reflex Reflector	1	
25	1121227	310B0500A	5 m/m Nut	1	I.S.O. Thread
26	1065016	461F0500	5 m/m Spring Washer	1	
27	1064673	410B0500	5 m/m Plain Washer	1	

29. Optional Parts for European Market.

Ref. No.	D.P. No.	New Part No. (Old Part No.)	Part Name	Quantity	Remarks
1	1022938	46117-003 (A7020-3710)	Steering Oil Damper Ass'y	1	
2	1122746	46119-003 (W1021-6296)	Steering Oil Damper Bolt	1	
3	1137697	315B0800	8 m/m Nut	1	H=5 m/m
4	1063065	316B0800	8 m/m Nut	1	H=6.5 m/m
5	1064835	411B0800	8 m/m Plain Washer	1	
6	1065149	461F0800	8 m/m Spring Washer	1	
7	1067257	550D2020	2.0 x 20 Cotter Pin	1	

Numerical Parts Index (New Part No. Sequence)

D.P. No.	New Part No.	Old Part No.	Part Name	Page	Quantity
	11016-003		Silencer	6	1
	16001-106		Carburetor Ass'y	6	2
	16001-107		Carburetor Ass'y	6	1
	16009-025		Jet Needle	6	1 x 3
1109596	16025-014	F21410-6126	Throttle Valve	6	1 x 3
	21007-016		Rotor	4	1
	21012-001		Rotor Puller	4	
	21013-015		Condenser	4	3
	21018-001		Breaker Ass'y	4	1
	21029-011		Wiring Harness Complete	4	1
1117939	21061-008		Rectifier	4	1
1117912	21072-004		Voltage Regulator	4	1
	21076-008		Stator Ass'y	4	1
	21082-007		Contact Breaker Point	4	3
1092278	21085-004	311-9211	4 x 8 Pan Head Screw	4	10
1091913	21085-006	311-9212	4 x 5 Pan Head Screw	4	4
	21088-009		Carbon Brush & Holder	4	1
	21103-004		Cam	4	1
	21106-003		Cam Plate	4	1
	22121-037		Ignition Coil	4	3
	21126-004		Ignition Coil Band	4	3
	21130-013		Spark Plug Cap	4	3
	21133-016		High Tension Cord	4	1
	21133-017		High Tension Cord	4	1
	21133-018		High Tension Cord	4	1
	23004-017		Head Lamp Unit	8	1
1120646	23005-023		Head Lamp Body	8	1
	23006-022		Head Lamp Rim	8	1
	23007-019		Head Lamp Lens Unit	8	1
	23008-017		Head Lamp Socket	8	1
	23008-018	717 502-7117	Parking Lamp Socket	8	1
	23009-010		Head Lamp Lens Clamp Spring	8	3
1090925	23016-002	788 630-7103	High Beam Indicator Lamp Ass'y	8	1
	26001-041		Main Wiring Harness	10	1
	26011-015	6020-9164	Coil Wire A	10	1
	26011-037		Lead Wire	10	1
	27005-017		Ignition Switch Ass'y	10	1
	27008-028		Key Set	10	1
	27009-006		Ignition Switch Housing	10	1
	28012-005	2020-E019-6	Reflex Reflector	10	1

Numerical Parts Index (New Part No. Sequence)

D.P. No.	New Part No.	Old Part No.	Part Name	Page	Quantity
	32058-017		Ignition Coil Bracket	4	1
	35022-041		Rear Fender	8	1
1022938	46117-003	A7020-3710	Steering Oil Damper Ass'y	10	1
1122746	46119-003	W1021-6296	Steering Oil Damper Bolt	10	1
1040286	92007-011	W1020-9028	Head Lamp Fitting Bolt	8	2
1111132	92063-068	MJ-92.5R	Main Jet No.92.5	6	
1111159	92063-069	MJ-95R	Main Jet No.95	6	
1125168	92063-093	MJ-85R	Main Jet No.85	6	
1125176	92063-094	MJ-87.5R	Main Jet No.87.5	6	
1125184	92063-095	MJ-90R	Main Jet No.90	6	1 x 3
1058983	92069-017	310-5312	Bulb 12V 1.5W	8	1
	92069-045	754 622-7107	Head Lamp Bulb 12V 35/35W	8	1
	92069-046		12V 4W Bulb	8	1
1026348	92070-011	A1011-8310	Spark Plug	2	3
	92071-040		High Tension Cord Grommet	2	1
	92081-063		Coil Spring	6	1
	92084-003		R.H. Engine Cover Plug	2	1

Numerical Parts Index (Old Part No. Sequence)

D.P. No.	New Part No.	Old Part No.	Part Name	Page	Quantity
	28012-005	2020-E019-6	Reflex Reflector	10	1
1058983	92069-017	310-5312	Bulb 12V 1.5W	8	1
1092278	21085-004	311-9211	4 x 8 Pan Head Screw	4	10
1091913	21085-006	311-9212	4 x 5 Pan Head Screw	4	4
1073044	26011-015	6020-9164	Coil Wire A	10	1
	23008-018	717 502-7117	Parking Lamp Socket	8	1
	92069-045	754 622-7107	Head Lamp Bulb 12V 35/35W	8	1
1090925	23016-002	788 630-7103	High Beam Indicator Lamp Ass'y	8	1
1026348	92070-011	A1011-8310	Spark Plug	2	3
1022938	46117-003	A7020-3710	Steering Oil Damper Ass'y	10	1
1109596	16025-014	F21410-6126	Throttle Valve	6	1 x 3
1125168	92063-093	MJ-85R	Main Jet No.85	6	
1125176	92063-094	MJ-87.5R	Main Jet No.87.5	6	
1125184	92063-095	MJ-90R	Main Jet No.90	6	1 x 3
1111132	92063-068	MJ-92.5R	Main Jet No.92.5	6	
1111159	92063-069	MJ-95R	Main Jet No.95	6	
1040286	92007-011	W1020-9028	Head Lamp Fitting Bolt	8	2
1122746	46119-003	W1021-6296	Steering Oil Damper Bolt	10	1

Standard Hardwares Index (Part No. Sequence)

D.P. No.	Part No.	Part Name	Page	Quantity
1042459	110B0612	6 x 12 Hex Head Bolt	4	2
1042467	110B0614	6 x 14 Hex Head Bolt	4	2
1042599	110B0640	6 x 40 Hex Head Bolt	4	2
1042815	110B0871	8 x 71 Hex Head Bolt	4	1
1120964	211B0306A	3 x 6 Pan Head Screw	8	1
1121189	220E0555A	5 x 55 Pan Head Screw	4	3
1121162	222E0510A	5 x 10 Oval Countersunk Head Screw	8	2
1121219	310B0300A	3 m/m Nut	8	1
1121227	310B0500A	5 m/m Nut	10	1
1054872	310B0600	6 m/m Nut	4	8
1137697	315B0800	8 m/m Nut	10	1
1063065	316B0800	8 m/m Nut	10	1
1064673	410B0500	5 m/m Plain Washer	10	1
1064819	411B0500	5 m/m Plain Washer	4	3
1064827	411B0600	6 m/m Plain Washer	4	2
1064835	411B0800	8 m/m Plain Washer	10	1
1065106	461F0300	3 m/m Spring Washer	8	1
1065114	461F0500	5 m/m Spring Washer	4,10	4
1065122	461F0600	6 m/m Spring Washer	4	10
1065149	461F0800	8 m/m Spring Washer	4,10	2
1065157	461F1000	10 m/m Spring Washer	8	2
1067257	550D2020	2.0 x 20 Cotter Pin	10	1