
PARTS CATALOGUE



H1-B

INDEX

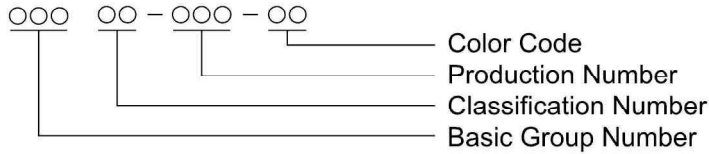
EI	PARTS LIST INTRODUCTION.....	5
E1	AIR CLEANER.....	6
E2	CABLES.....	8
E3	CARBURETORS.....	10
E4	CHASSIS ELECTRICAL EQUIPMENT.....	14
E5	CLUTCH.....	16
E6	CRANKCASE.....	18
E7	CRANKSHAFT, PISTONS.....	20
E8	CYLINDER HEAD, CYLINDER.....	22
E9	ENGINE COVERS.....	24
E10	FENDERS.....	26
E11	FOOTRESTS, STANDS, BRAKE PEDAL.....	28
E12	FRAME, FRAME FITTINGS.....	30
E13	FRONT BRAKE.....	32
E14	FRONT FORK.....	34
E15	FRONT HUB.....	38
E16	FRONT MASTER CYLINDER.....	40
E17	FUEL TANK.....	42
E18	GEAR CHANGE MECHANISM.....	44
E19	HANDLEBAR.....	48
E20	HEADLIGHT.....	52
E21	IGNITION, GENERATOR, REGULATOR.....	54
E22	KICKSTARTER MECHANISM.....	56
E23	METERS, IGNITION SWITCH.....	58
E24	MUFFLERS.....	60
E25	OIL PUMP.....	62
E26	OIL TANK.....	64
E27	REAR HUB, BRAKE, CHAIN.....	66
E28	DUAL SEAT.....	68
E29	SIDE COVERS, CHAIN COVER.....	70
E30	SWINGING ARM, REAR SHOCK ABSORBER.....	72
E31	TAILLIGHT.....	74
E32	TRANSMISSION, CHANGE DRUM.....	76
E33	TURN SIGNALS.....	80
E34	TIRES, RIMS.....	82
E35	OPTIONAL PARTS A.....	84
E36	OPTIONAL PARTS B.....	86
E37	OWNER TOOLS.....	88
ES	PARTS LIST SUMMARY.....	91

PARTS LIST INTRODUCTION

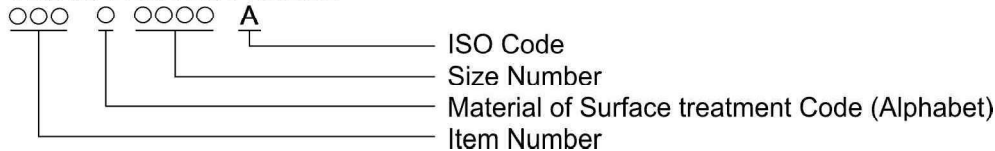
This parts catalogue lists parts and sub-assemblies provided as spare parts for the KAWASAKI H1-B. When it becomes necessary to replace parts, always use KAWASAKI GENUIN PARTS which have passed strict inspection which guaranties quality and performance.

1. COMPOSITION OF THE PART NUMBER

1.1 Part Number



1.2 Standard Hardware Number



2. ABBREVIATIONS

1. WHN EXH USE P/No. _____
Abbreviated from the phrase "When exhausted, use P/No. _____" which indicates that the new parts be used for re placement, but old parts in stock may be used until exhausted.
2. USE P/No. _____ UNTL EXH
Abbreviated from the phrase "Use P/No. _____ until exhausted" which indicates old part can be used replacement until supplies are exhausted.
3. E/No. _____ and Below. E/No. _____ and Above.
These are applied to the part requested to use only for engines having the serial number _____ and below (or above).
4. "AR" indicates the part is to be used "as required" It used mainly for bulk items such as liquid gasket.
5. "ALT" indicates the part may be used as "alternate", if another part called for that location is not available.
6.

STD	Standard	T	Teeth	t	Thickness
Ass'y	Assembly	PR	Ply Rating	N.P.	Not Procurable
Ref.	Reference	Hex.	Hexagonal	I.D.	Inside Diameter
L.H.	Left Hand	L	Length	O.D.	Outside Diameter
R.H.	Right Hand	d	Diameter	A.R.	As Required
ALT.	Alternate	N.A.	Not Available	C.A.	Cut Away
				W	Width

3. HOW TO ORDER PARTS

Always without fail include three items exactly as listed in this Part Catalogue in your parts order.

1. type and model of motorcycle
2. Color Code
Specify the color using color code and name without fail for ordering of painted parts.
Example: 51001-108-3T TANK, fuel Deep Burgundy
3. Part Name
Part not shown disassembled in the illustrations of this Parts Catalogue are not sold separately; only the complete units or next higher assemblies illustrated, are supplied as spare parts. Please be advised to order the parts in typescript instead of hand-writing to avoid the mistake expected.

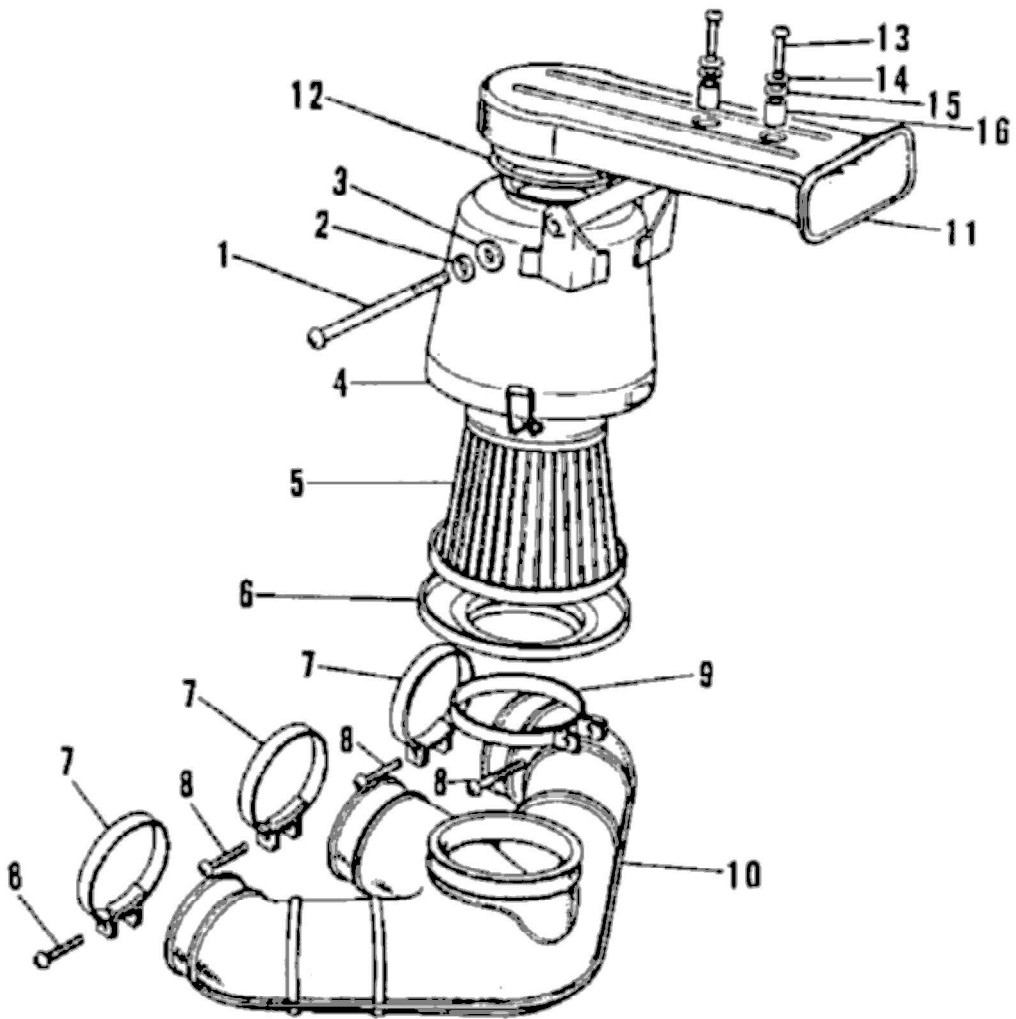
KAWASAKI HEAVY INDUSTRIES, LTD.

ENGINE AND MOTORCYCLE GROUP

1-1, Kawasaki-cho, Akashi, Hyogo Pref. Japan

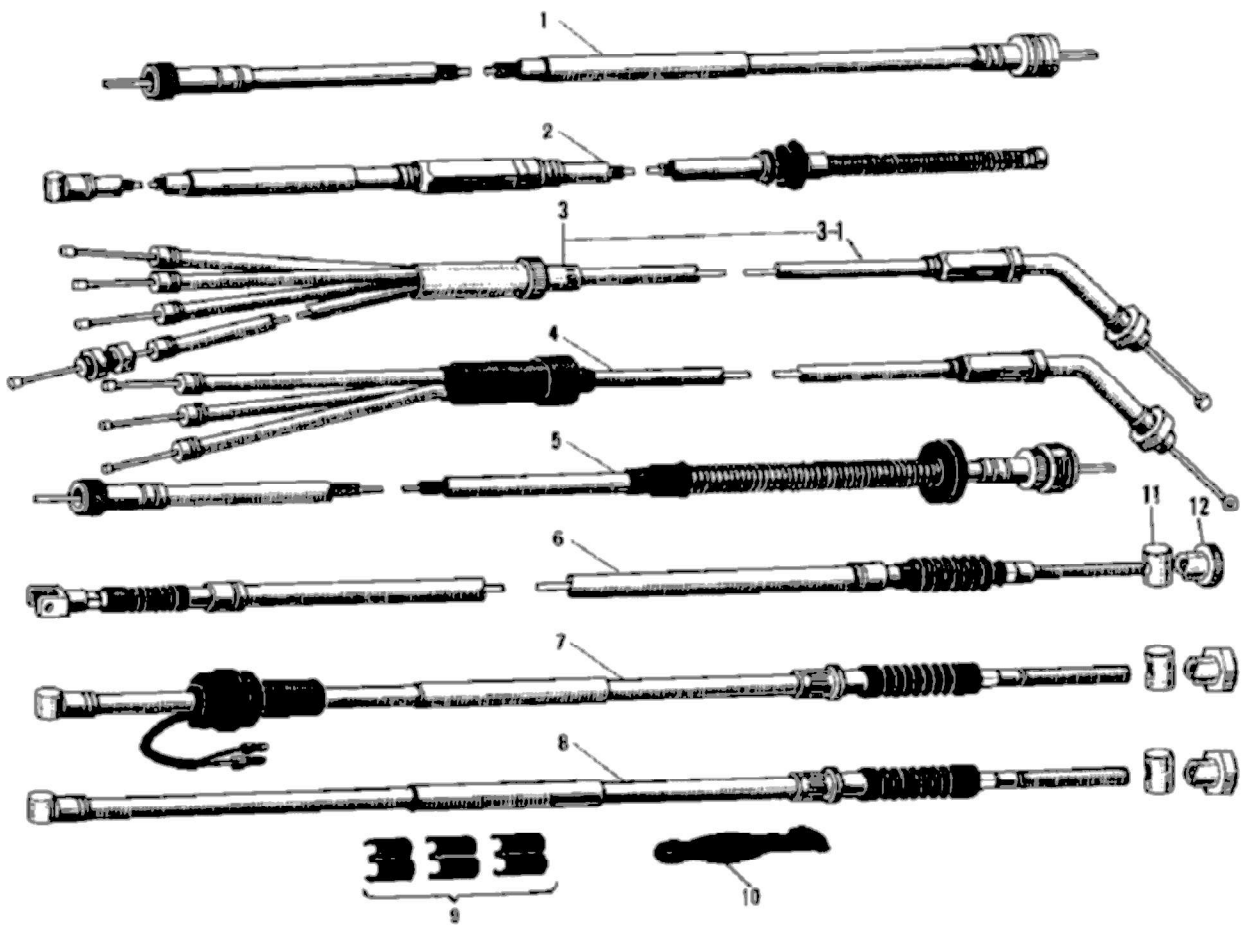
No. 99997-670 ©

30. Aug. 1975



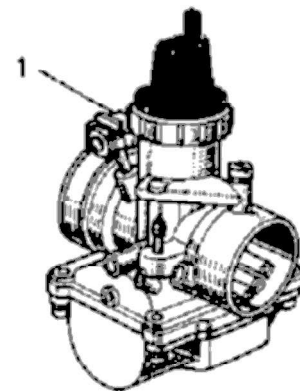
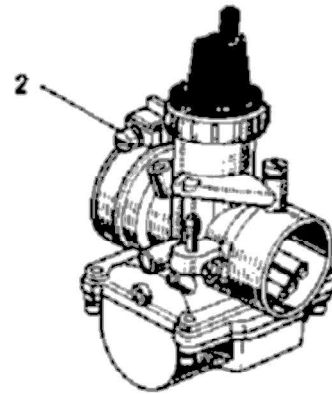
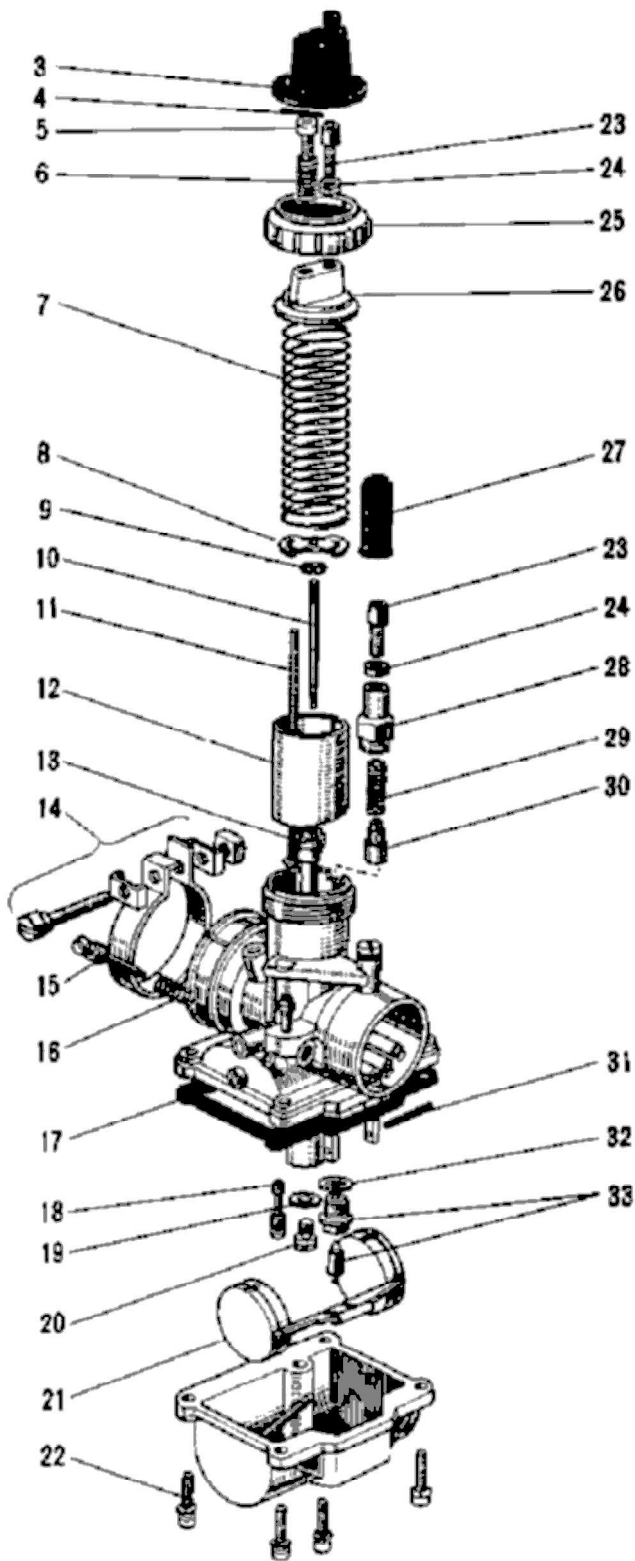
AIR CLEANER

Ref No.	Part No.	Part Name	Quantity	Remarks
1	220B06110	SCREW, pan head, 6 x 110	1	
2	461F0600	WASHER, spring, 6 mm	1	
3	411B0600	WASHER, plain, 6 mm	1	
4	11010-058-21	AIR CLEANER ASSY, black	1	
5	11013-019	ELEMENT, air cleaner	1	
6	11012-011	CAP, air cleaner	1	
7	92037-034	CLAMP, air cleaner	3	
8	220B0635	SCREW, pan head, 6 x 35	3	
9	92037-128	CLAMP, air cleaner	1	
10	11015-033	PIPE, air inlet	1	
11	11016-004	SILENCER, air cleaner	1	
12	11017-008	GASKET, inlet	1	
13	220B0645	SCREW, pan head, 6 x 45	2	
14	92022-125	WASHER, plain	2	
15	92075-118	DAMPER RUBBER	2	
16	92027-149	COLLAR	2	



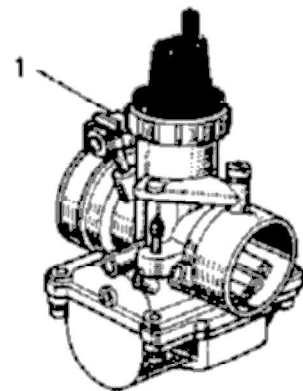
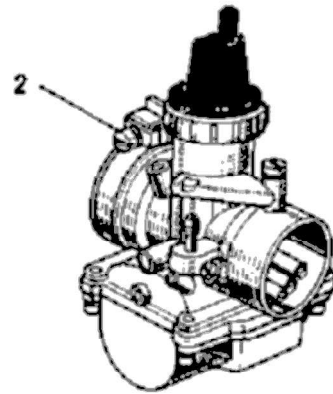
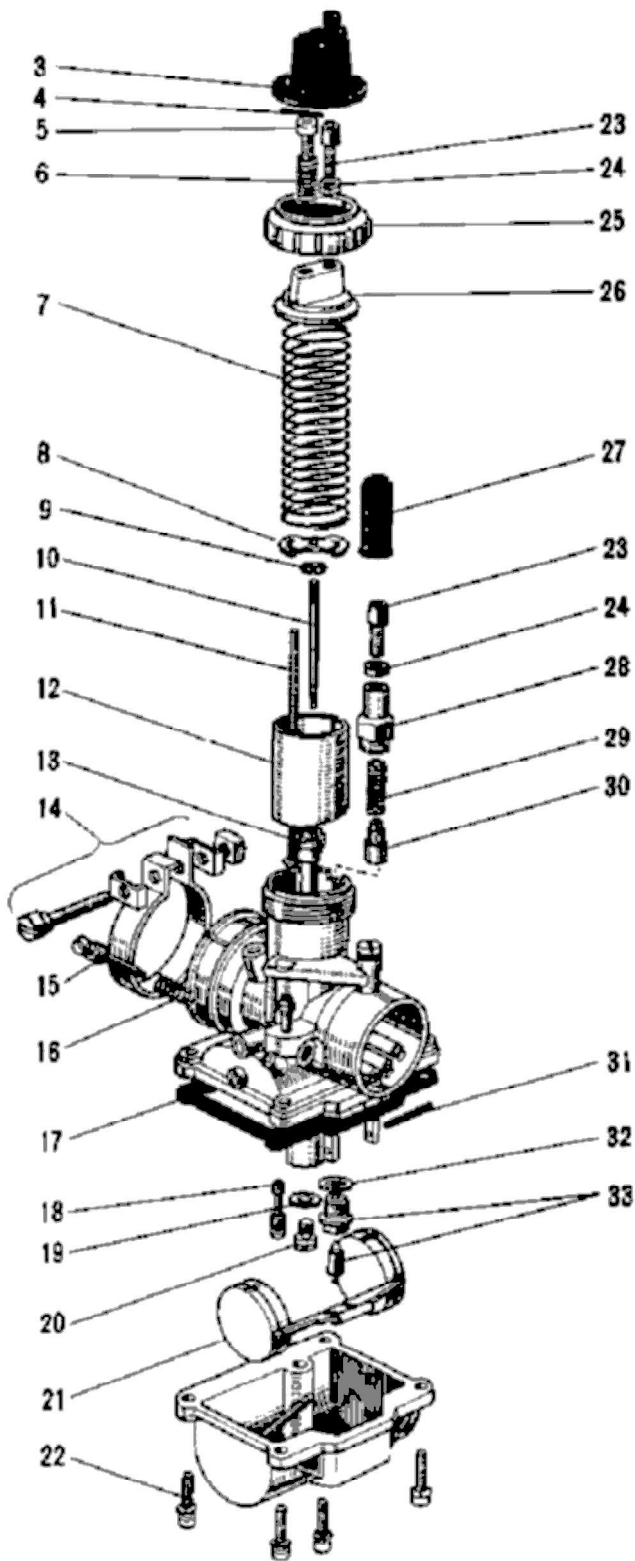
CABLES

Ref No.	Part No.	Part Name	Quantity	Remarks
1	54001-036	CABLE, speedometer	1	
2	54011-030	CABLE, clutch	1	
3	54012-054	CABLE, combination	1	
3	54012-054-SP	CABLE, throttle, upper	1	
3	54012-055	CABLE, combination	1	
4	54017-031	CABLE, starter	1	
4	54017-032	CABLE, starter	1	NOTE: INDICATES CABLES AS OPTION
5	54018-007	CABLE, tachometer	1	
6	54022-011	CABLE, rear brake	1	
9	92037-069	CLAMP, cable	3	
10	92072-013	BAND, rubber	1	
11	92043-053	PIN, brake rod	1	
12	92015-041	NUT, brake cable adjust	1	



CARBURETORS

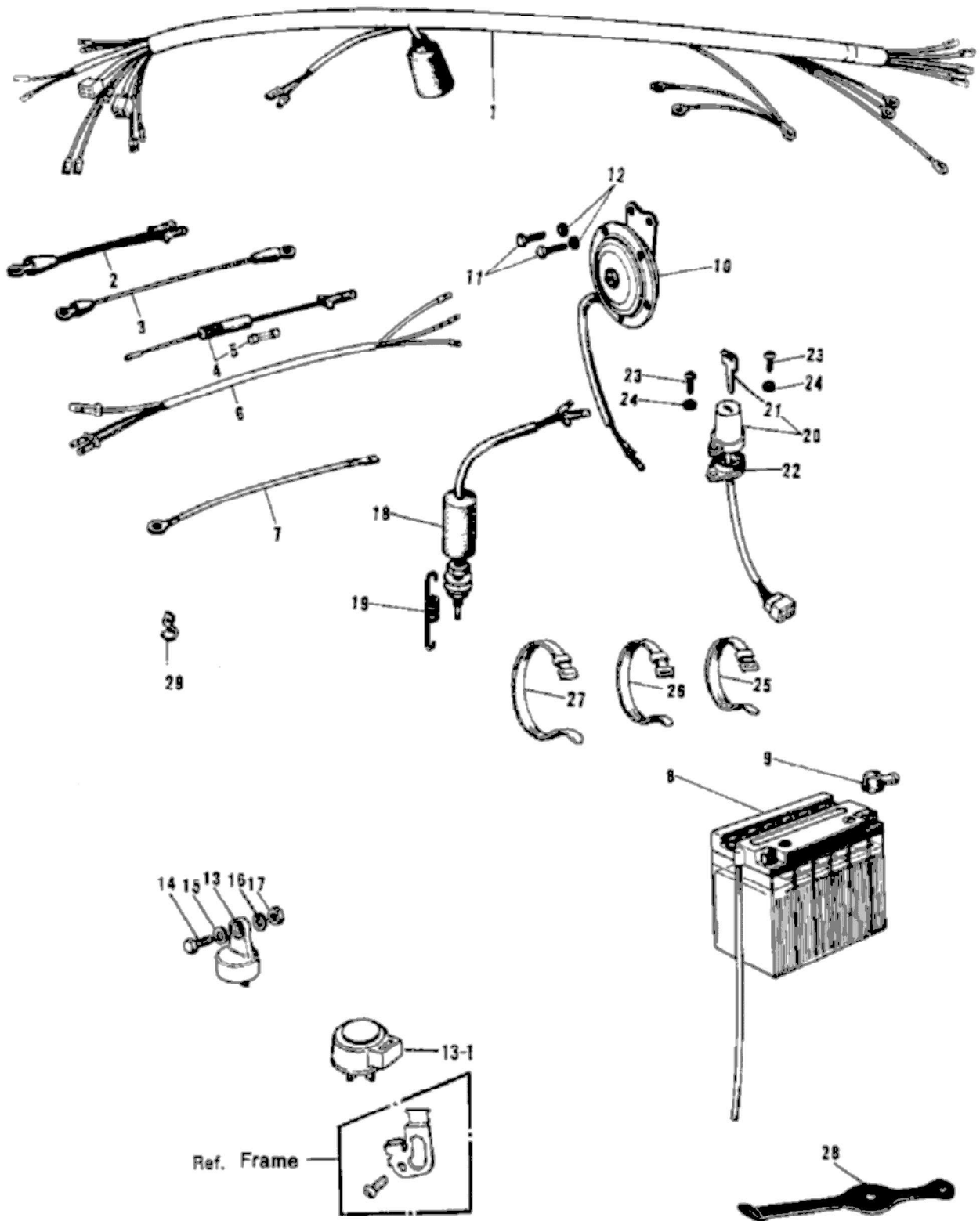
Ref No.	Part No.	Part Name	Quantity	Remarks
1	16001-165	CARBURETOR ASSY, L.H. & Center	2	
1	16001-165	CARBURETOR ASSY, L.H. & Center	2	
1	16001-165	CARBURETOR ASSY, L.H. & Center	2	
2	16001-166	CARBURETOR ASSY, R.H.	1	
2	16001-166	CARBURETOR ASSY, R.H.	1	
2	16001-166	CARBURETOR ASSY, R.H.	1	
3	16036-004	CAP carburetor	3	
4	550D1210	PIN, cotter, 1,2 x 10	3	
5	16021-002	SCREW, throttle stop	3	
6	16022-005	SPRING, throttle stop screw	3	
7	16006-012	SPRING, throttle valve	3	
8	16007-007	SPRING SEAT, throttle valve	3	
9	16008-010	CIRCLIP	3	
10	16009-049	JET NEEDLE, 5DJ19	3	
11	16024-005	ROD, throttle stop	3	
12	16025-048	VALVE, throttle	3	CA 2,0
13	16017-058	NEEDLE JET, O-4	3	E/NO. 61606
13	16017-062	NEEDLE JET, O-4/8	3	
14	16051-002	CLAMP, carburetor mounting	3	
15	16014-006	SCREW, pilot air adjust	3	
16	16022-007	SPRING, pilot air adjust srew	3	
17	16019-008	GASKET, float chamber	3	
18	92064-022	JET-PILOT, #30	3	
19	16034-001	WASHER, main jet	3	
20	92063-068	MAIN JET, #92.5R	3	STD
20	92063-094	MAIN JET, #87.5R	3	Option
20	92063-1028	MAIN JET, #A102,5	3	
20	92063-1029	MAIN JET, #A90R	3	
20	92063-1031	MAIN JET, #A95	3	
20	92063-1035	MAIN JET, #A97.5R	3	
20	92063-1042	MAIN JET, #A105R	3	
21	16031-023	FLOAT	3	
22	16033-009	SCREW, float chamber fitting	12	
23	16002-017	ADJUSTER, cable	6	
24	16003-004	NUT, cable adjust lock	6	
25	16004-006	CAP, mixing chamber	3	
26	16005-016	TOP, mixing chamber	3	
27	16036-005	CAP, cable adjuster	3	
28	16012-008	CAP, starter plunger	3	
29	16013-003	SPRING, starter plunger	3	
30	16016-002	PLUNGER, starter	3	
31	16032-003	PIN, float	3	
32	16029-004	WASHER, float valve seat	3	



CARBURETORS - 2

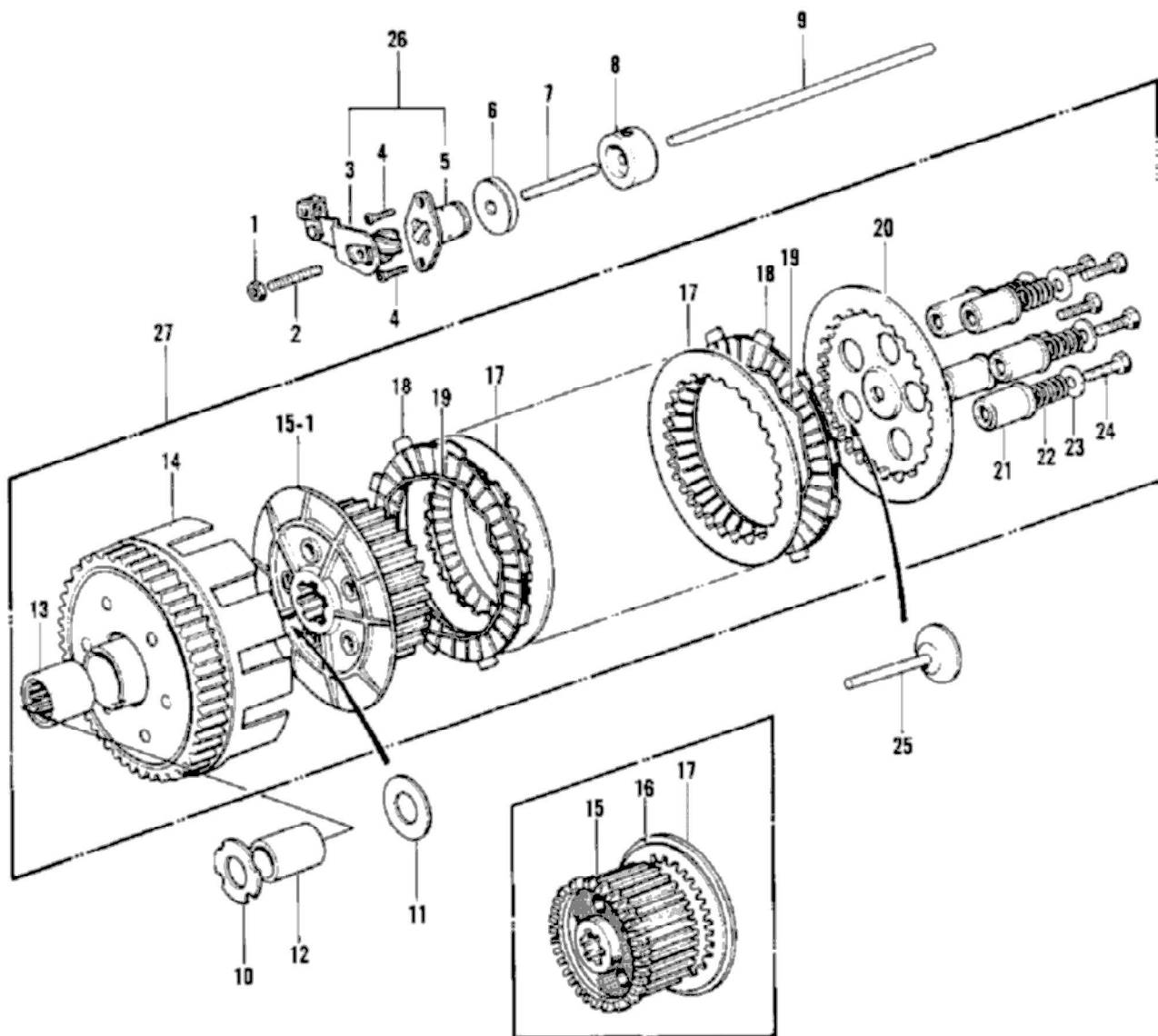
Ref No.	Part No.	Part Name	Quantity	Remarks
33	16030-005	FLOAT VALVE ASSY	3	

CHASSIS ELECTRICAL EQUIPMENT



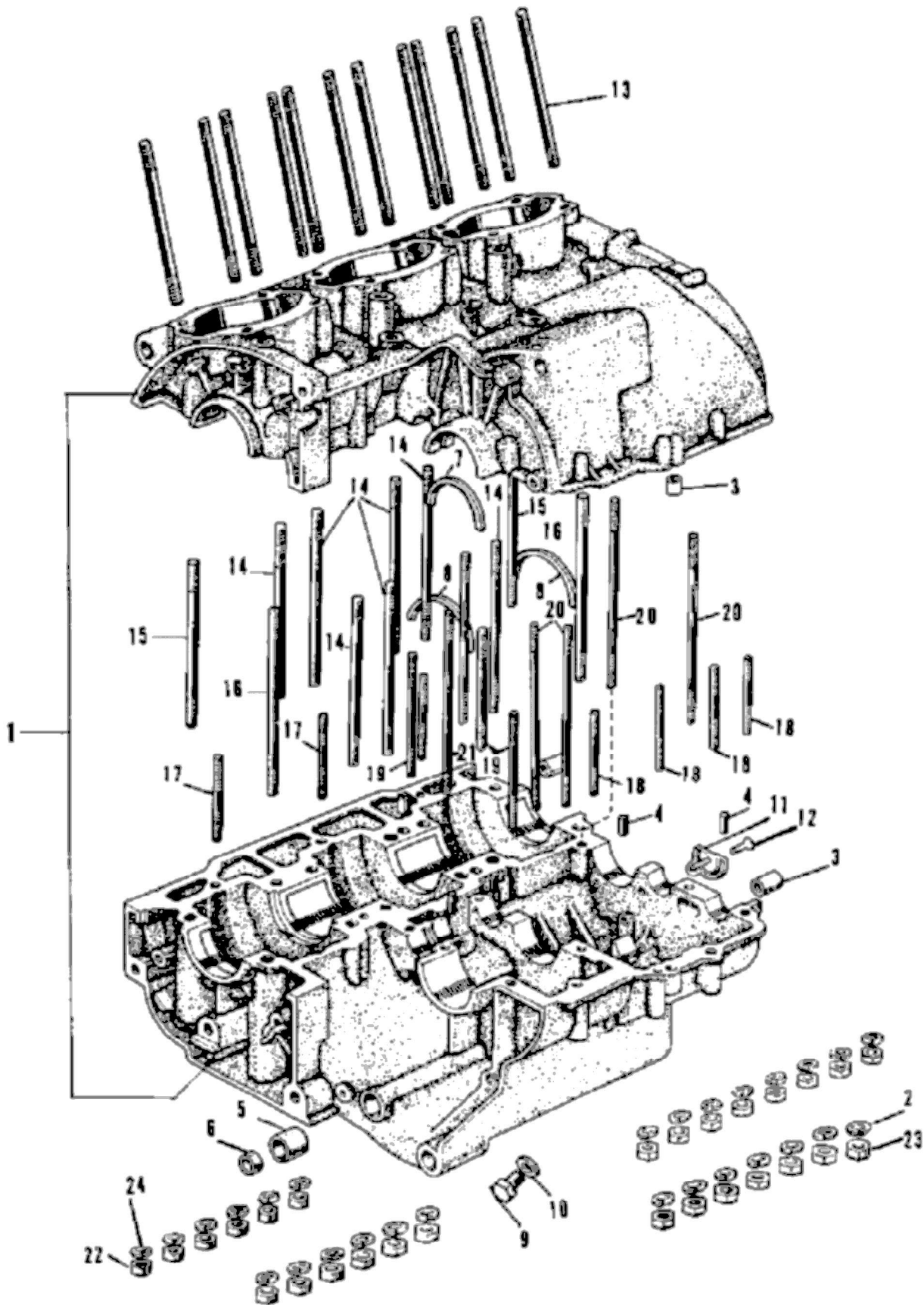
CHASSIS ELECTRICAL EQUIPMENT

Ref No.	Part No.	Part Name	Quantity	Remarks
1	26001-065	WIRING HARNESS, main	1	
2	26010-015	WIRE, battery ground lead	1	
3	26010-017	WIRE, battery ground lead	1	
4	26004-010	FUSE ASSY	1	
4	26004-015	FUSE ASSY	1	
5	26006-002	FUSE, 20A	1	
6	26002-030	WIRING HARNESS, rear	1	
7	26011-047	WIRE, lead	1	
8	26012-017	YUASA BATTERY, 12N9-4B-1	1	12N9-4B-1
9	92073-001	CAP, battery terminal rubber	1	
10	27003-042	HORN	1	
10	27003-066	HORN	0	
11	115G0820	BOLT, small, upset, 8 x 20	2	
12	461F0800	WASHER, spring, 8 mm	2	
13	27002-011	RELAY, turn signal	0	
13	27002-012	RELAY, turn signal	1	
14	112B0614	BOLT, upset, 6 x 14	1	
15	92022-125	WASHER, plain	1	
16	461F0600	WASHER, spring, 6 mm	1	
17	311B0600	NUT, 6 mm	1	
18	27010-020	SWITCH, brake lamp	1	
19	27011-013	SPRING, brake lamp switch	1	
20	27005-1058	SWITCH ASSY, ignition	1	
21	27008-042-01	KEY SET, #701	0	
21	27008-042-05	KEY SET, #705	0	
21	27008-042-85	KEY SET, #685	0	
21	27008-042-89	KEY SET, #689	0	
22	92075-077	DAMPER RUBBER	1	
23	92007-026	BOLT, hex head, 6 mm	2	
24	410B0800	WASHER, plain, 8 mm	2	
25	92072-030	BAND, rubber	6	L=123 mm
26	92072-031	BAND, rubber	2	L=149 mm
27	92072-032	BAND, long	3	
28	92072-018	BAND, rubber	1	
29	92037-020	CLAMP, cable	1	



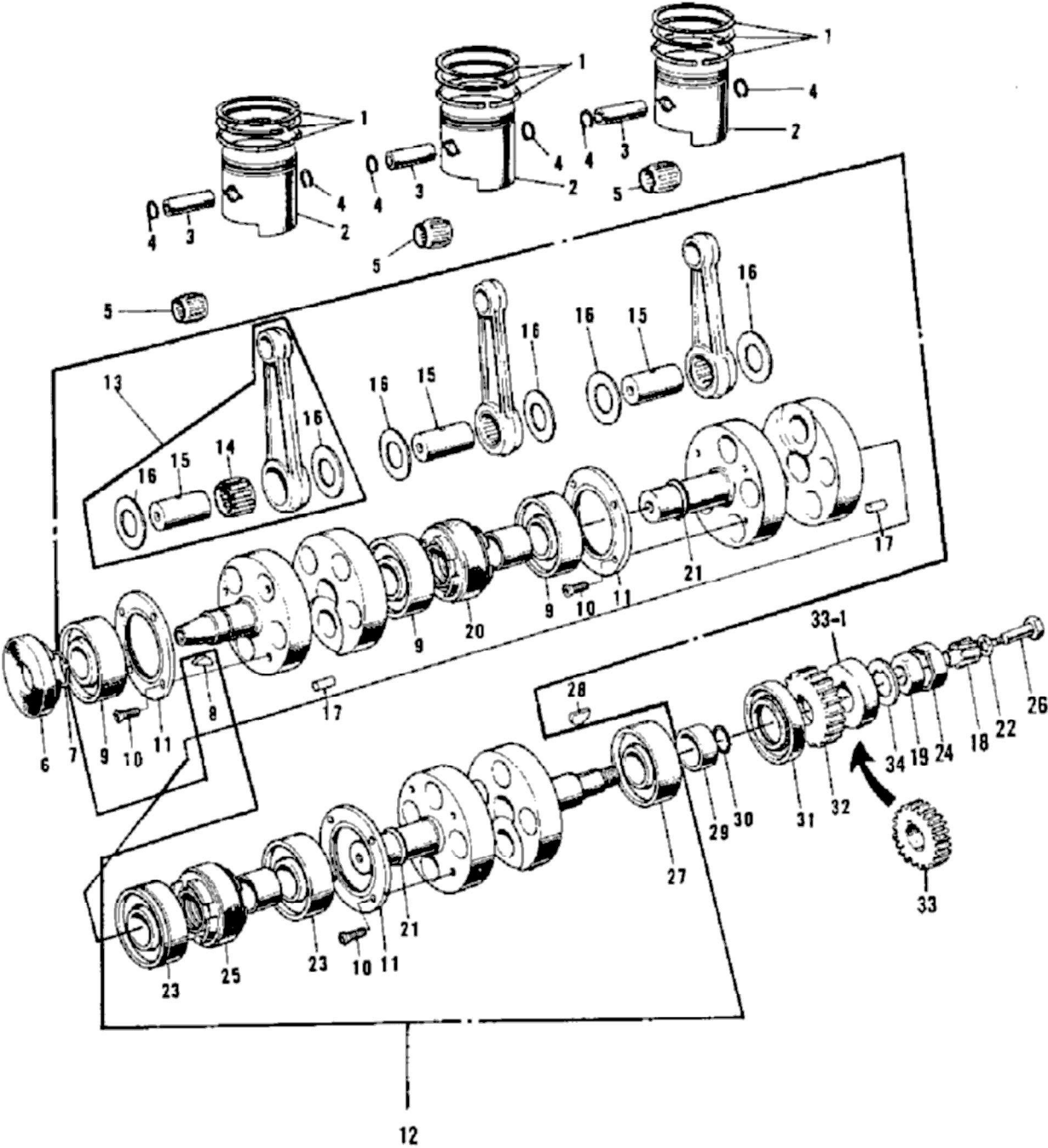
CLUTCH

Ref No.	Part No.	Part Name	Quantity	Remarks
1	311B0600	NUT, 6 mm	1	
2	291Z0622	SCREW, slotted, 6 x 22	1	
3	13102-017	INNER, clutch release	1	
4	221B0616	SCREW, countersunk head, 6 x 16	2	
5	13118-008	OUTER, clutch release	1	
6	92050-025	OIL SEAL, SC7317	1	
7	13116-010	PUSH ROD, clutch short	1	L=49 mm
8	92028-070	BUSHING, clutch push rod	1	
9	13116-009	PUSH ROD, clutch long	1	L=167,5 mm
10	92022-119	WASHER, thrust	1	
11	92026-022	WASHER, clutch thrust	1	
12	92028-081	BUSHING	1	
13	92046-004	BEARING, needle	1	
14	13095-018	HOUSING, clutch	1	
15	13087-030	HUB, clutch	1	
16	13090-011	PLATE, clutch outer	1	not requested 13087-03
17	13089-013	PLATE, clutch steel	8	
17	13089-013	PLATE, clutch steel	6	
18	13088-015	PLATE, clutch friction	7	
18	13088-1008	PLATE, clutch friction	7	
19	13229-003	RING, clutch steel	7	
20	13187-005	PLATE, clutch spring	1	
21	13092-005	GUIDE, clutch spring	5	
22	92081-042	SPRING, clutch	5	
23	13091-009	HOLDER, clutch spring	5	
24	112G0618	BOLT, hex head, 6 x 18	5	
25	13116-011	PUSHER, clutch spring plate	1	
26	13231-010	RELEASE ASSY, clutch	1	
27	13081-071	CLUTCHASSY	1	
27	13081-071	CLUTCHASSY	1	



CRANKCASE

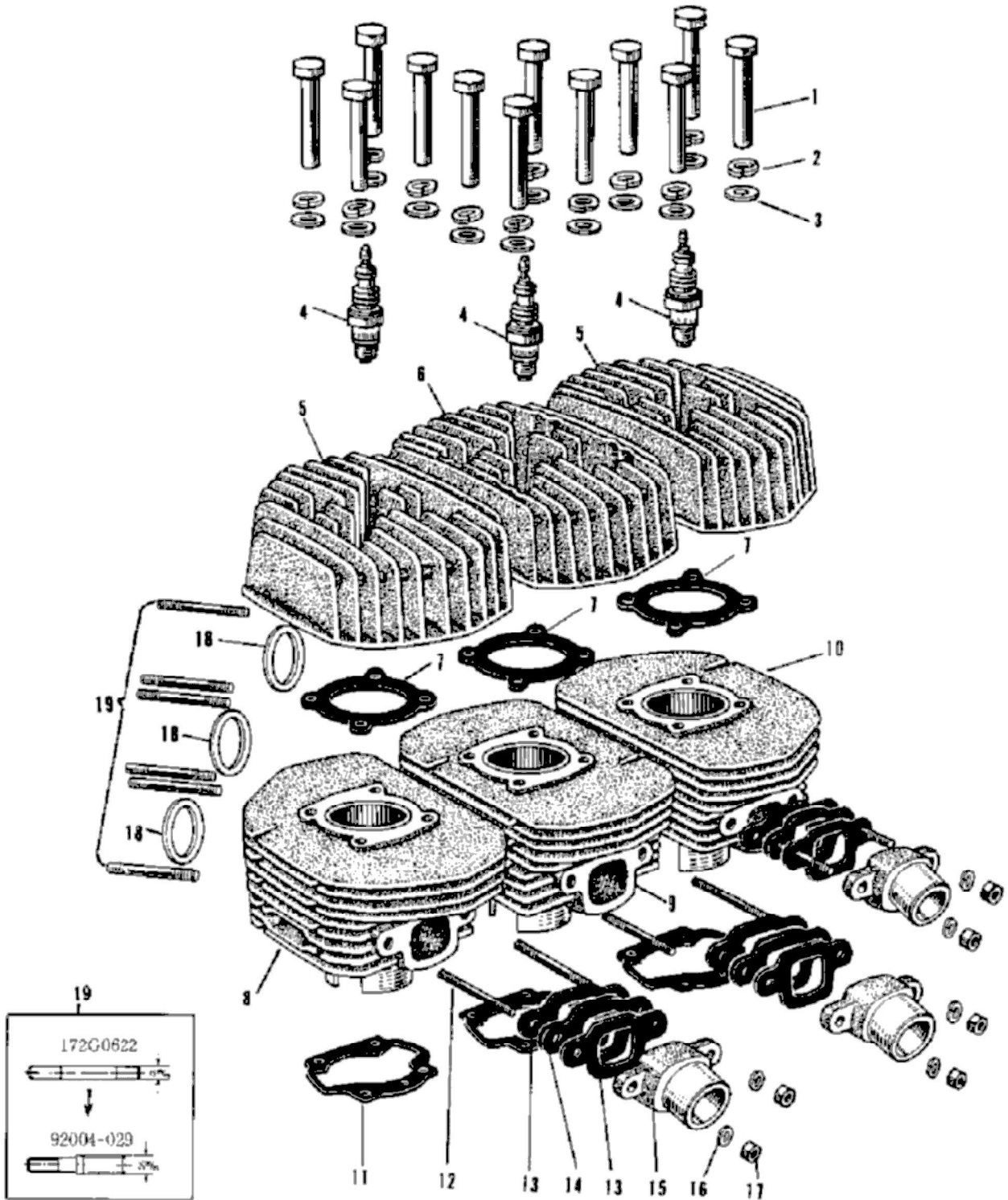
Ref No.	Part No.	Part Name	Quantity	Remarks
1	14001-030	CRANKCASE SET	1	
2	461F0600	WASHER, spring, 6 mm	15	
3	92043-1037	PIN, dowel, 10 x 8.2 x 14	4	
4	92042-016	PIN, dowel, 6 mm	4	
5	92028-071	BUSHING, change pedal shaft	1	
6	92049-004	OIL SEAL, SB12205	1	
7	14013-1004	RING, positioning	1	
8	14013-004	RING, positioning	2	
9	92067-001	PLUG, oil drain	1	
10	92065-058	GASKET, check valve	1	I.D.=10,5 mm
11	14015-001	RECEIVER, oil	1	
12	221B0616	SCREW, countersunk head, 6 x 16	1	
13	172G0875	STUD, 8 x 75	12	
14	172G1060	STUD, 10 x 60	8	
15	172G1075	STUD, 10 x 75	2	
16	172G1090	STUD, 10 x 90	2	
17	172G0622	STUD, 6 x 22	3	
18	172G0635	STUD, 6 x 35	4	
19	172G0650	STUD, 6 x 50	3	
20	172G0675	STUD, 6 x 75	4	
21	172G0685	STUD, 6 x 85	1	
22	317B1000	NUT, 10 mm	12	
23	311B0600	NUT, 6 mm	15	
24	461F1000	WASHER, spring, 10 mm	12	



CRANKSHAFT, PISTONS

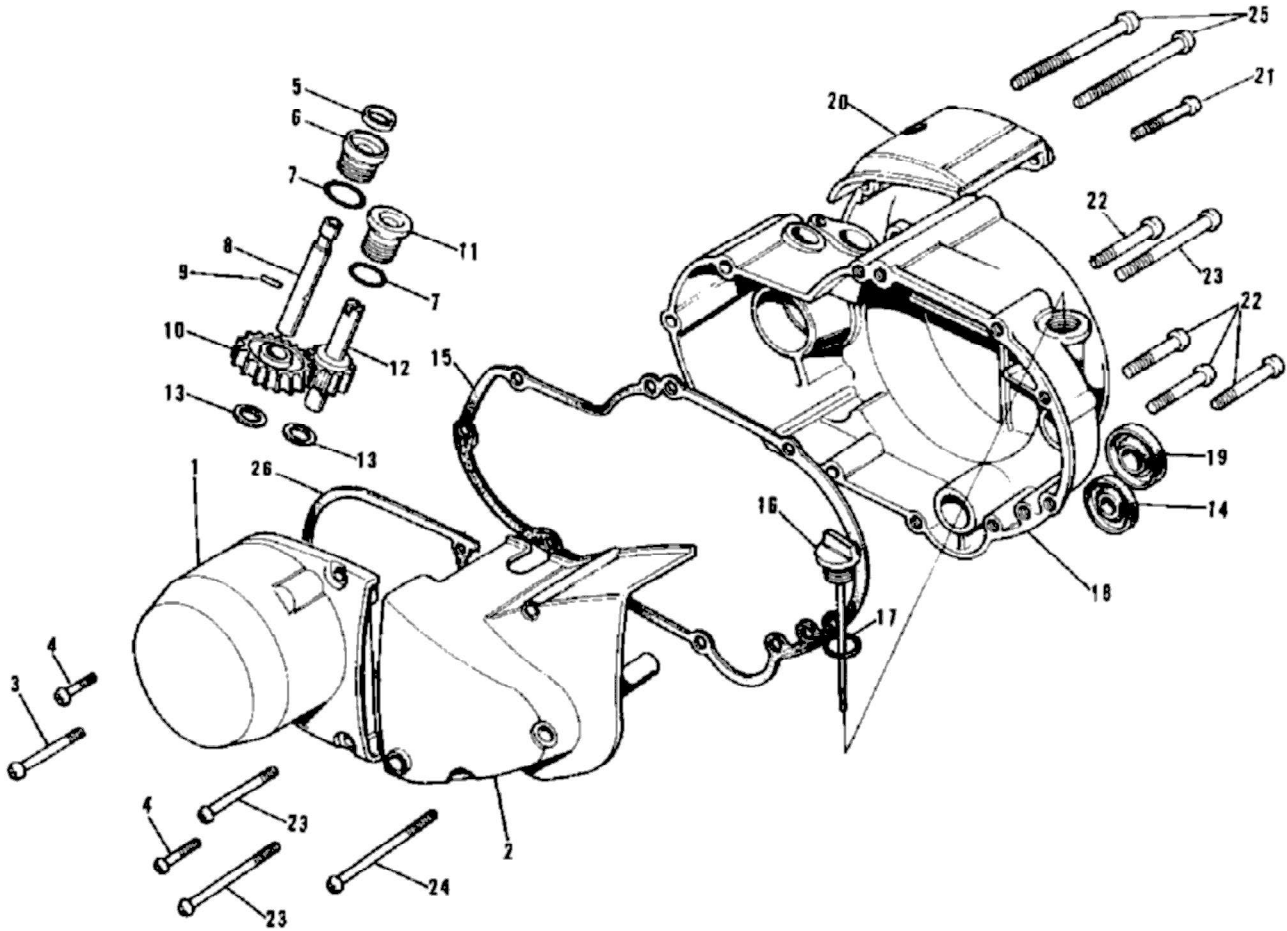
Ref No.	Part No.	Part Name	Quantity	Remarks
1	13008-041	RING SET, piston, STD	3	
1	13024-048	RING SET, piston, 0,040" O.S.	3	Option
1	13025-044	RING SET, piston, 0,020" O.S.	3	Option
2	13001-031	PISTON, STD	3	
2	13027-031	PISTON, 0,040" O.S.	3	Option
2	13029-031	PISTON, 0,020" O.S.	3	Option
3	13002-010	PIN, piston	3	
4	92036-004	CIRCLIP, piston pin	6	
5	92046-1038	BEARING, needle, small end	3	
6	92050-051	OIL SEAL, TC255210	1	
7	92036-013	CIRCLIP	1	
8	92038-001	WOODRUFF KEY	1	
9	601B6205	BEARING, ball, #6205	3	
10	92012-001	SCREW, countersunk head, 5 x 10	12	
11	13045-010	OIL RECEIVER, crankshaft	3	
12	13031-049	CRANK & CONROD ASSY	1	
13	13044-034	CONNECTING ROD SET	3	
14	13034-010	BEARING, needle, big end	3	
15	13035-017	CRANK PIN	3	
16	92026-024	WASHER, side	6	
17	610A0512	PIN, dowel 5 x 12	2	
18	16084-010	PINION, oil pump	1	
19	92015-019	NUT, 18 mm	1	
20	92054-017	OIL SEAL, Y325222.5	1	Y325222.5
21	92026-066	SPACER	2	
22	463H0600	WASHER, lock, 6 mm	1	
23	92045-020	BEARING, ball, #6305N	2	
24	92024-021	WASHER, lock	1	
25	92054-018	OIL SEAL, Y326219	1	Y326219
26	92001-060	BOLT, oil pump pinion	1	
27	601B6305	BEARING, ball, #6305	2	
28	510A5200	WOODRUFF KEY	1	
29	92027-031	COLLAR, R.H. crankshaft	1	
30	92055-018	"O" RING, 22 mm	1	
31	92050-052	OIL SEAL, TCY326210	1	
32	13121-013	GEAR, primary	1	
33	92027-091	COLLAR	1	
34	92024-015	WASHER, lock, 18 mm	1	

CYLINDER HEAD, CYLINDER



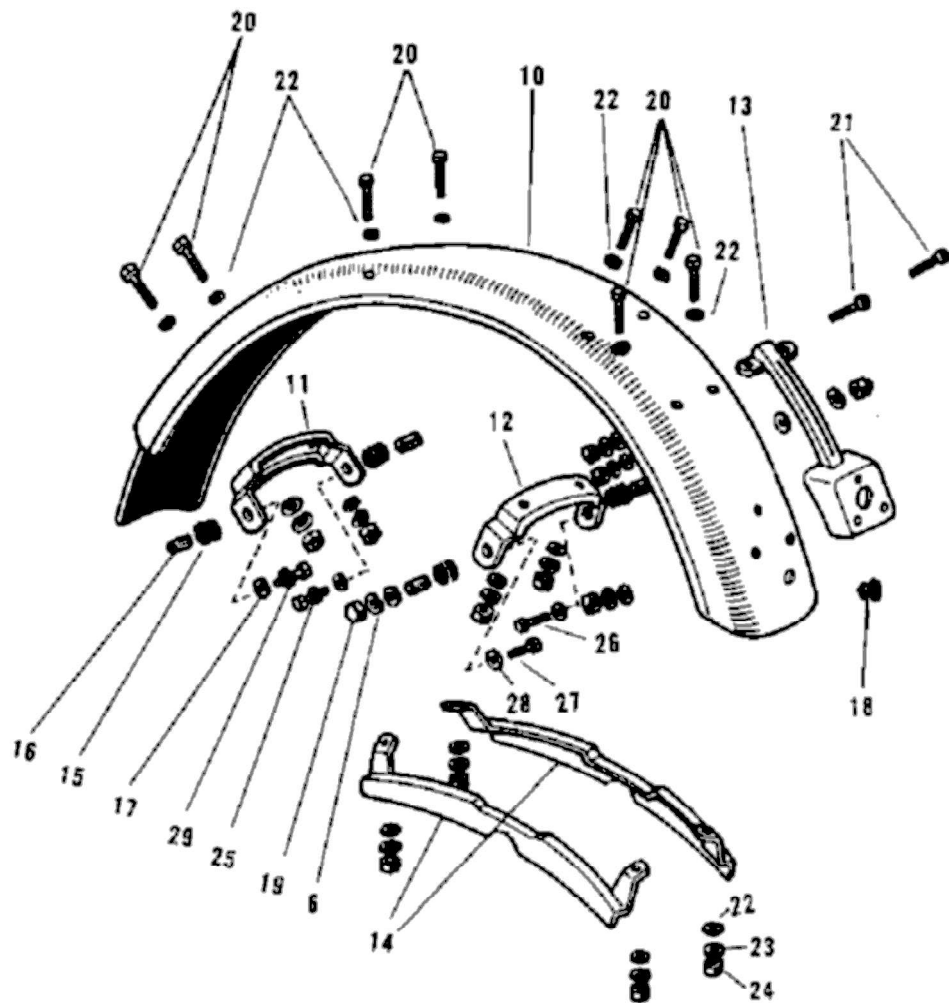
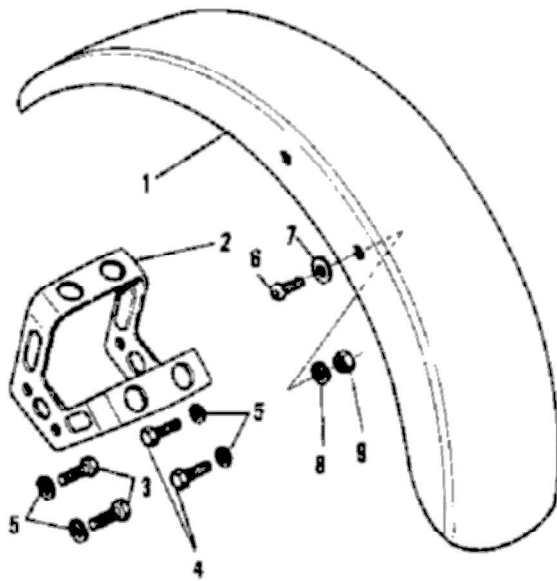
CYLINDER HEAD, CYLINDER

Ref No.	Part No.	Part Name	Quantity	Remarks
1	92015-020	NUT, 8 mm	12	
2	461F1200	WASHER, spring, 12 mm	12	
3	92022-072	WASHER, plain, 12 mm	12	
4	B9HS1	SPARK PLUG, B9HS1	3	
5	11001-064-80	CYLINDER HEAD, L.H. & R.H.	2	
5	11001-098-2H	CYLINDER HEAD, L.H. & R.H.	2	Barrel
6	11001-065	CYLINDER HEAD, CENTER	1	
6	11001-099-2H	CYLINDER HEAD, CENTER	1	Barrel
7	11004-048	GASKET, cylinder head	3	
8	11005-050	CYLINDER	1	
9	11005-051	CYLINDER	1	
10	11005-052	CYLINDER	1	
11	11009-019	GASKET, cylinder base	3	
12	172G0820	STUD, 8 x 20	6	
13	16062-011	GASKET, air inlet	6	
14	16061-010	INSULATOR, heat	3	
15	16060-009	INLET PIPE	3	
16	461F0800	WASHER, spring, 8 mm	6	
17	311B0800	NUT, 8 mm	6	
18	18067-008	GASKET, exhaust pipe	3	
19	172G0622	STUD, 6 x 22	6	
19	92004-029	STUD	6	



ENGINE COVERS

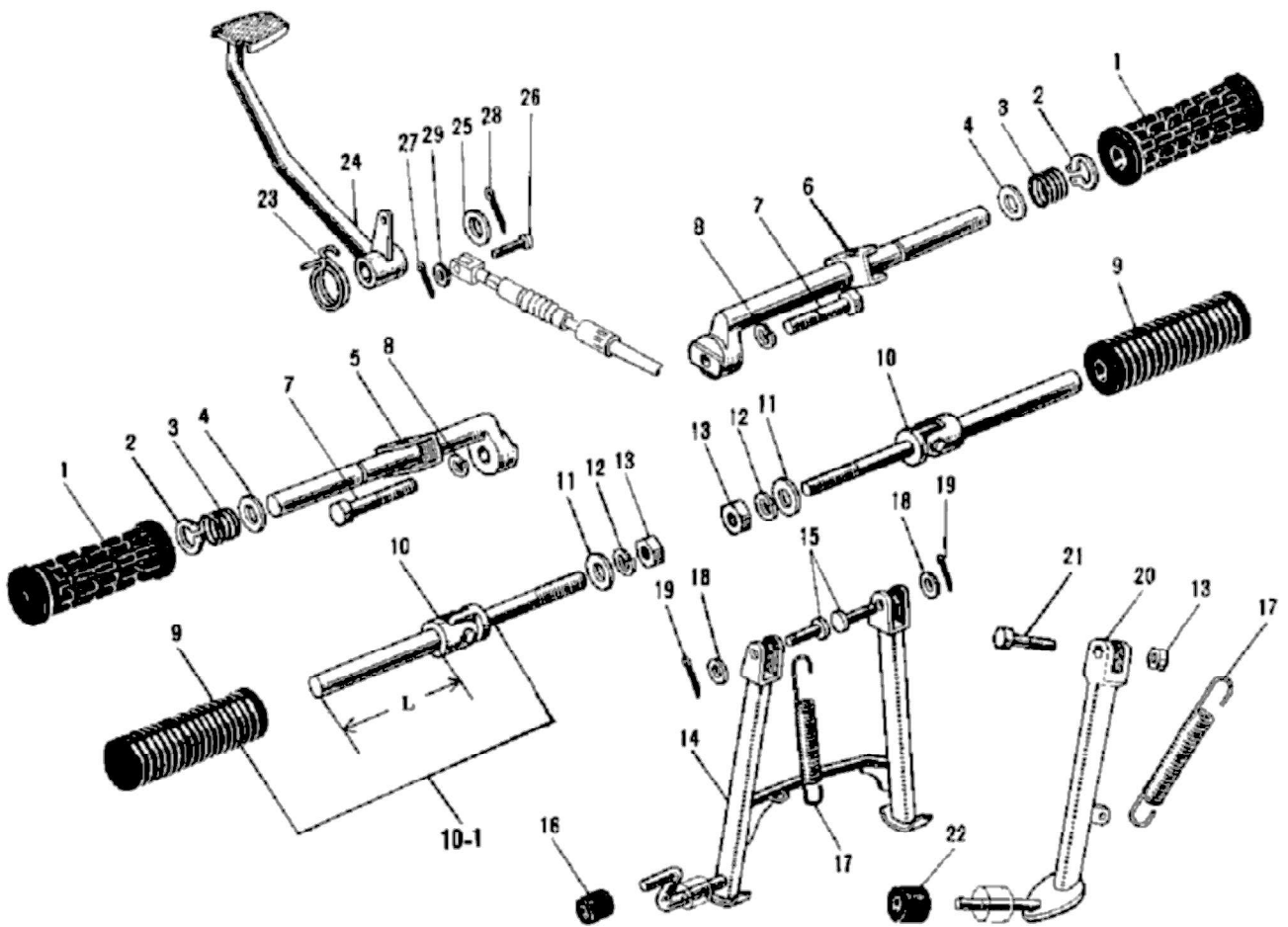
Ref No.	Part No.	Part Name	Quantity	Remarks
1	14031-030	COVER L.H ENGINE	1	
2	14026-024-80	COVER, chain case	1	
3	220B0640	SCREW, pan head, 6 x 40	1	
4	220B0620	SCREW, pan head, 6 x 20	2	
5	92054-004	OIL SEAL, TC7144	1	
6	92028-075	BUSHING, tachometer gear	1	
7	92055-025	"O" RING	2	
8	13226-004	SHAFT, tachometer gear	1	
9	92042-035	PIN, dowel	1	
10	13224-005	GEAR, tachometer	1	35T
11	92028-074	BUSHING, oil pump gear	1	
12	16085-011	GEAR, oil pump	1	
13	92026-026	WASHER, thrust	2	
14	92049-004	OIL SEAL, SB12205	1	
15	14046-014	GASKET, R.H. engine cover	1	
16	16115-017	PLUG, oil filler	1	
17	670B2020	"O" RING, 20 mm	1	
18	14032-071-36	COVER, R.H. engine, silver	1	
18	14032-1024-80	COVER, R.H. engine	1	
19	92049-002	OIL SEAL, SB16244	1	
20	14030-036-80	COVER, oil pump	1	Buff Finish
21	220B0625	SCREW, pan head, 6 x 25	1	
22	220B0630	SCREW, pan head, 6 x 30	7	
23	220B0655	SCREW, pan head, 6 x 55	3	
24	220B0685	SCREW, pan head, 6 x 85	1	
25	220B06100	SCREW, pan head, 6 x 100	2	
26	14045-022	GASKET, L.H. engine cover	1	



FENDERS

Ref No.	Part No.	Part Name	Quantity	Remarks
1	35004-060-67	FENDER, front, P.C.ORANGE	1	
2	35009-018	BRACE, front fender	1	
3	115G0816	BOLT, small, upset, 8 x 16	2	
4	115B0814	BOLT, small, upset, 8 x 14	2	
5	461F0800	WASHER, spring, 8 mm	4	
6	220E0614	SCREW, pan head, 6 x 14	4	
7	92022-193	WASHER, plain	4	
8	411B0600	WASHER, plain, 6 mm	4	
9	92019-008	NUT, 6 mm	4	
10	35022-060-67	FENDER, rear, P.C.ORANGE	1	
11	35025-009	BRACKET, rear fender	1	
12	35025-010	BRACKET, rear fender	1	
13	35031-004-67	STAY, tail lamp, P.C.O.	1	
14	35034-007-67	STAY, rear fender, P.C.O.	2	
15	92075-019	DAMPER RUBBER, tank, front	4	
16	51065-001	SPACER, fuel tank mounting	4	
17	92022-1564	WASHER, 8 x 26 x 2.3	4	
18	92074-005	PLUG, rubber	1	
19	92020-007	NUT, fuel tank, front	2	
20	112G0612	BOLT, upset, 6 x 12	8	
21	220B0612	SCREW, pan head, 6 x 12	2	
22	411B0600	WASHER, plain, 6 mm	21	
23	461F0600	WASHER, spring, 6 mm	13	
24	311B0600	NUT, 6 mm	13	
25	115B0822	BOLT, small, upset, 8 x 22	2	
26	92001-1386	BOLT, 8 x 55	1	
27	92001-1182	BOLT, 10 x 45	1	
28	411B0800	WASHER, plain, 8 mm	3	
29	461F0800	WASHER, spring, 8 mm	4	

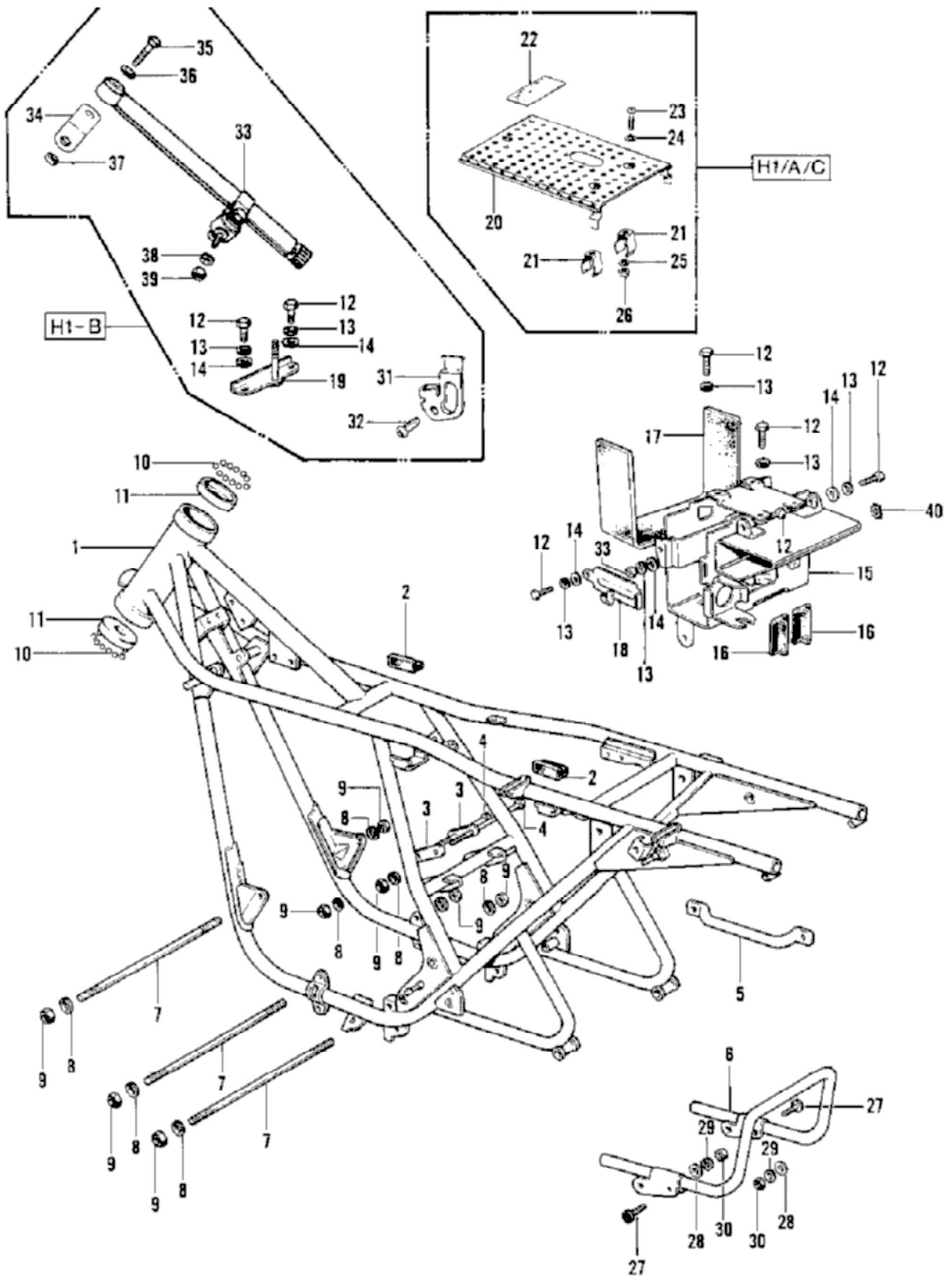
FOOTRESTS, STANDS, BRAKE PEDAL



FOOTRESTS, STANDS, BRAKE PEDAL

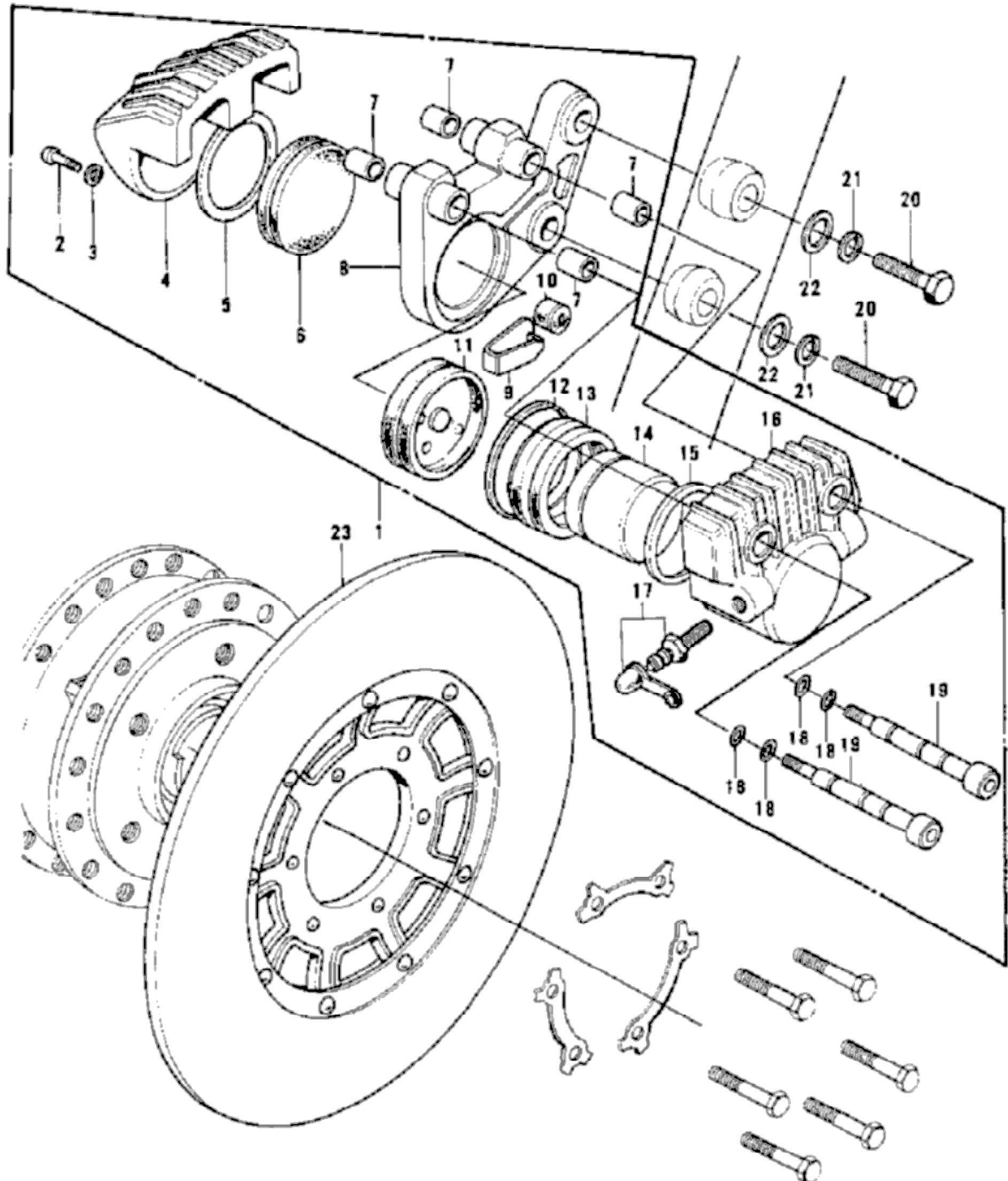
Ref No.	Part No.	Part Name	Quantity	Remarks
1	92076-015	RUBBER, footrest	2	
2	480J1600	CIRCLIP, 16 mm	2	
3	34006-002	SPRING, footrest peg	2	
4	92022-049	WASHER, folding peg	2	
5	34003-013	BAR, footrest, L.H.	1	
6	34003-015	BAR, footrest, R.H.	1	
7	92003-165	BOLT, hex head, 12 x 56	2	
8	461F1200	WASHER, spring, 12 mm	2	
9	92076-008	RUBBER, rear footrest	2	USE FOR 34027-0
9	92076-009	RUBBER, rear footrest	2	USE FOR 34027-0
10	34027-012	BAR, rear footrest	2	L=78 mm
10	34027-013	BAR, rear footrest	2	L=62 mm
10	34030-001	BAR SET, rear footrest	2	INCLUDES REF. #9
11	410B1000	WASHER, plain, 10 mm	2	
12	461F1000	WASHER, spring, 10 mm	2	
13	314B1000	NUT, 10 mm	3	
14	34011-034	STAND, main	1	
15	92043-041	PIN, joint	2	
16	92075-046	DAMPER RUBBER, main stand	1	
17	34023-005	SPRING, side stand	2	
18	410B1200	WASHER, plain, 12 mm	2	
19	550D2525	PIN, cotter, 2,5 x 25	2	
20	34024-032	STAND, side	1	
21	92003-079	BOLT, side stand fitting	1	
22	92075-031	RUBBER, side stand damper	1	
23	43005-011	SPRING, brake pedal	1	
24	43001-027	PEDAL, brake	1	
25	92022-085	WASHER, brake pedal	1	
26	92043-034	PIN, rear brake cable joint	1	
27	550D2015	PIN, cotter, 2,0 x 15	1	
28	550D3025	PIN, cotter, 3,0 x 25	1	
29	410B0600	WASHER, plain, 6 mm	1	

FRAME, FRAME FITTINGS



FRAME, FRAME FITTINGS

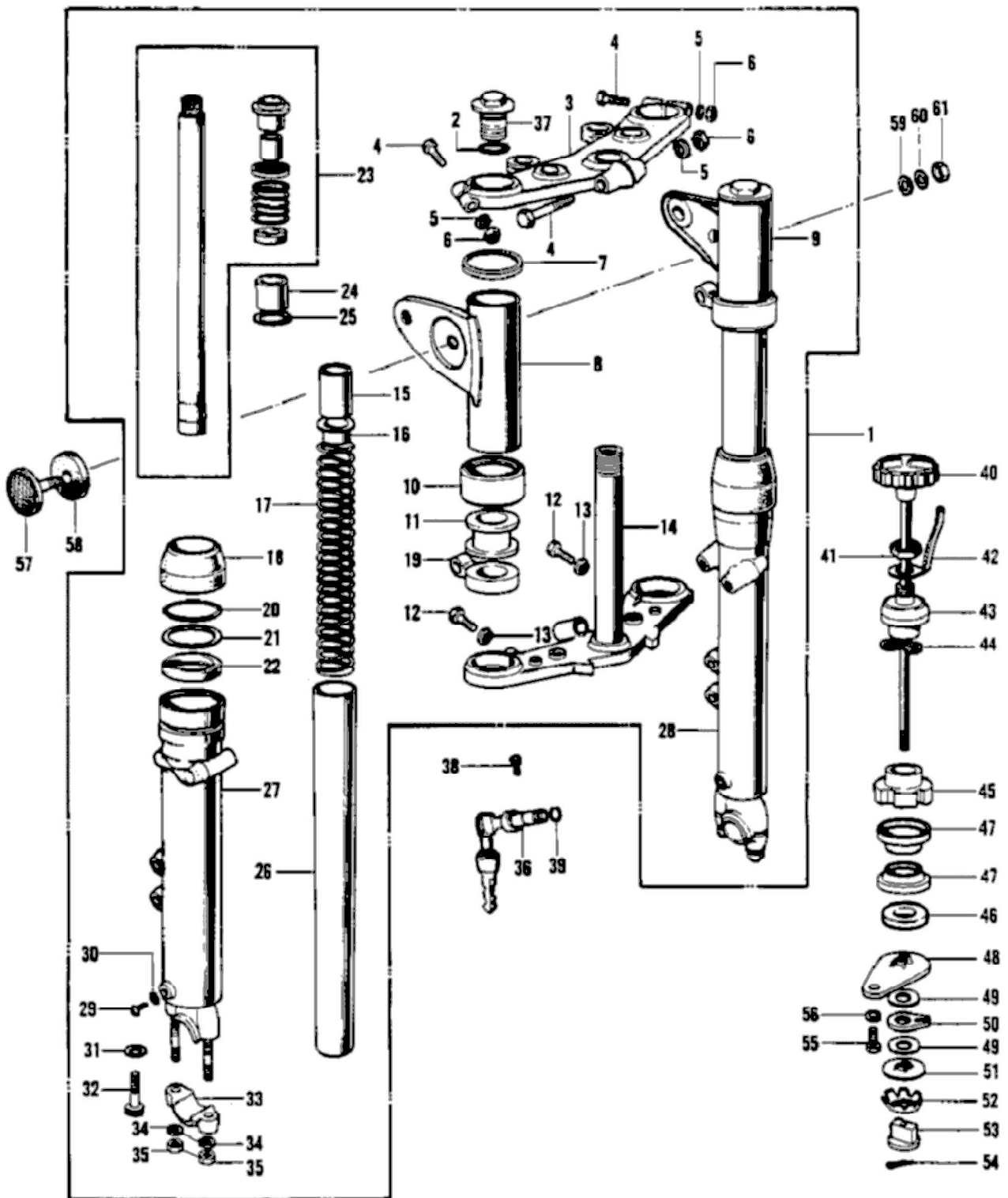
Ref No.	Part No.	Part Name	Quantity	Remarks
1	32002-049	FRAME	1	
2	31082-005	PROTECTOR, side cover	2	
3	32030-016	PLATE, engine mounting	2	
4	92001-1248	BOLT, hex head, 10 x 125	2	
5	32109-009	GRIP, frame	1	
6	35032-021	STAY, rear fender	1	
7	92091-024	BOLT, engine mounting, 10 x 274	3	
8	461F1000	WASHER, spring, 10 mm	10	
9	314B1000	NUT, 10 mm	10	
10	600A0800	BALL, steel, 1/4"	38	
11	92048-006	CUP, steering ball	2	
12	112G0616	BOLT, upset, 6 x 16	7	
13	461F0600	WASHER, spring, 6 mm	7	
14	411B0600	WASHER, plain, 6 mm	5	
15	32099-009	BOX, battery tool	1	
16	32103-003	SEAT, rectifier rubber	2	
17	32103-012	MAT, battery	1	
18	32100-013	BAND, battery	1	
19	32051-005	BRACKET, fuel tank	1	
30	311B0500	NUT, 5 mm	2	
31	32064-008	BRACKET, turn signal rely	1	
32	112B0614	BOLT, upset, 6 x 14	1	
33	46117-006	OIL DAMPER, steering	1	
34	32056-012	BRACKET, steering damper	1	
35	92001-1581	BOLT, flanged, 8 x 60	1	
36	411B0800	WASHER, plain, 8 mm	1	
37	92015-1124	NUT, lock, 8 mm	1	
38	461F0800	WASHER, spring, 8 mm	1	
39	311B0800	NUT, 8 mm	1	
40	464H0600	WASHER, lock, 6 mm	2	



FRONT BRAKE

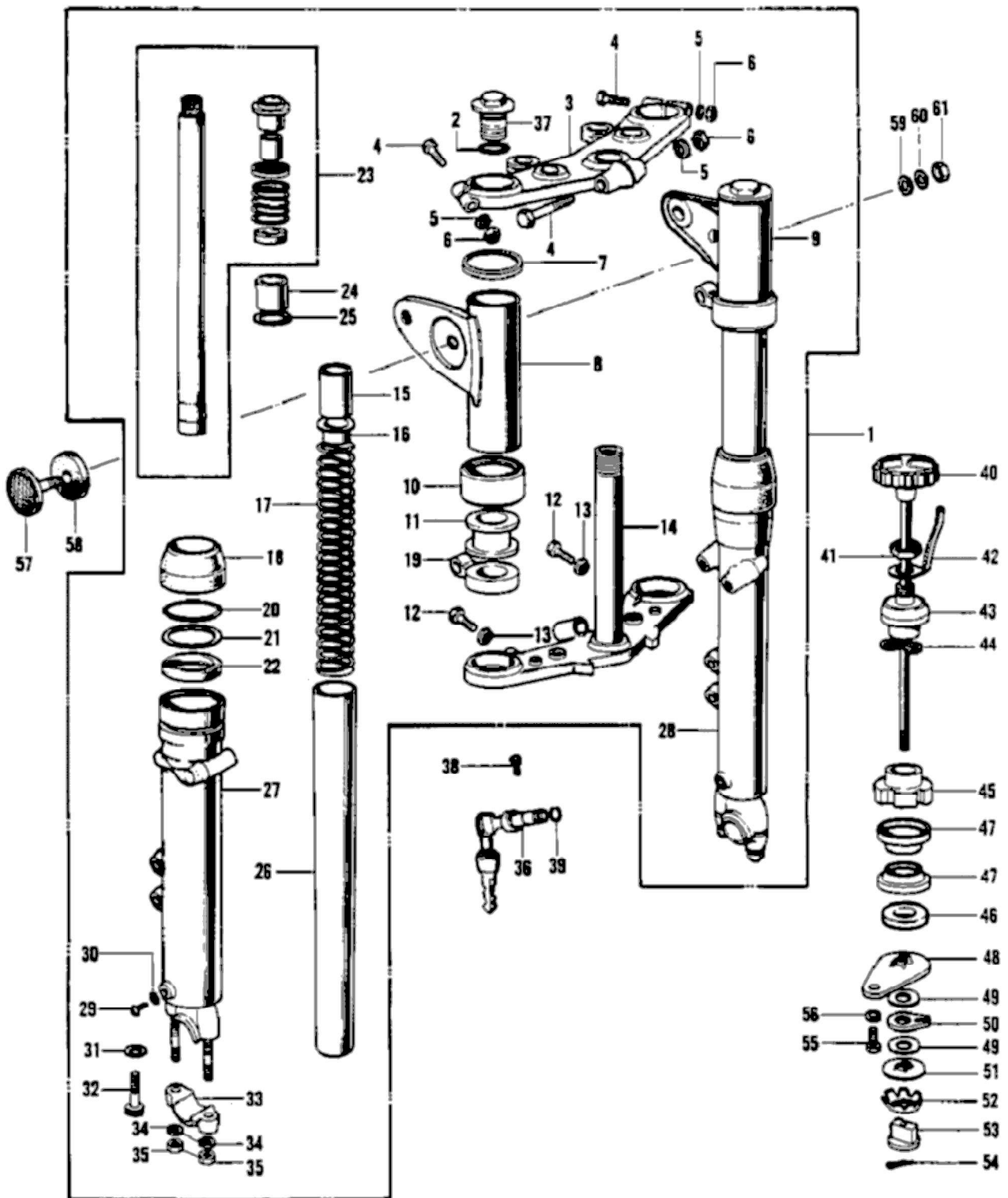
Ref No.	Part No.	Part Name	Quantity	Remarks
1	43041-001	CALIPER ASSY	1	
2	220B0612	SCREW, pan head, 6 x 12	1	
3	461F0600	WASHER, spring, 6 mm	1	
4	43043-001	CALIPER B	1	
5	43071-001	RING, pad B	1	
6	43051-001	PAD B	1	
7	43052-001	DUST SEAL, shaft	4	
8	43044-001	HOLDER, caliper	1	
9	43046-001	STOPPER, pad A	1	
10	43047-001	BUSHING, rubber	1	
11	43082-001	PAD A	1	
12	43058-001	BAND, dust seal	1	
13	43054-001	DUST SEAL, piston	1	
14	43048-001	PISTON, caliper	1	
15	43049-001	RING, piston	1	
16	43042-001	CALIPER A	1	
17	43085-001	BREEDER	1	
18	43053-001	"O" RING, shaft	4	
19	43045-001	SHAFT	2	
20	43070-001	BOLT, hex head, 10 x 43	2	
21	461F1000	WASHER, spring, 10 mm	2	
22	411B1000	WASHER, plain, 10 mm	2	
23	41080-001	DISC PLATE, front brake	1	
24	43073-002	REPAIR SET, caliper	1	

FRONT FORK



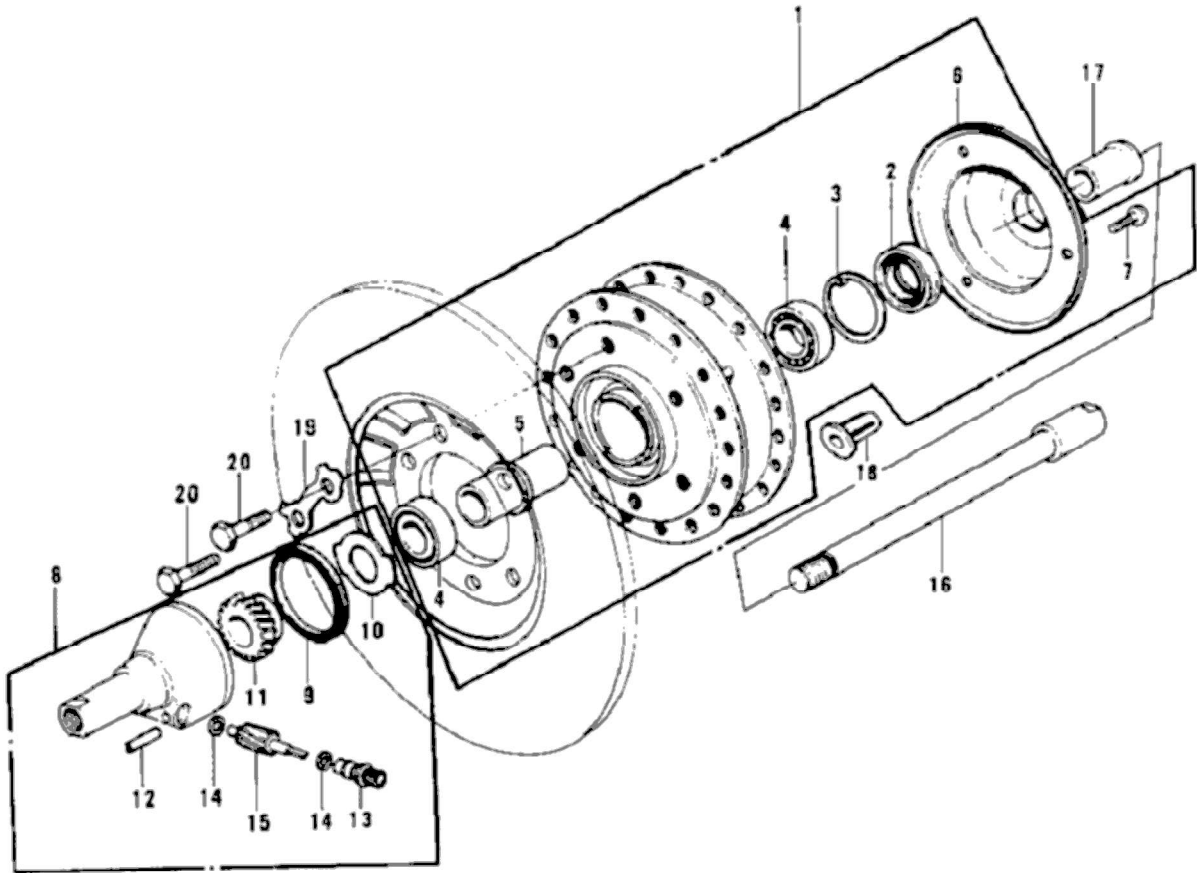
FRONT FORK

Ref No.	Part No.	Part Name	Quantity	Remarks
1	44001-087	FRONT FORK ASSY	1	
2	44046-015	"O" RING, fork top	2	
3	44039-040	HEAD, steering stern	1	
4	44041-038	BOLT, hex head, 8 x 55	3	
5	461F0800	WASHER, spring, 8 mm	3	
6	311N0800	NUT, 8 mm	3	
7	44032-008	WASHER, fork cover	2	
8	44033-043-21	COVER, L.H. fork, black	1	
9	44034-042-21	COVER, R.H. fork, black	1	
10	44064-002	GUIDE, fork cover	2	
11	44045-035	GASKET, fork cover	2	
12	113B1236A	BOLT, hex head, 12 x 36	2	
13	461F1200	WASHER, spring, 12 mm	2	
14	44037-041	STEM, steering	1	
15	44028-023	SPACER, fork spring guide	2	
16	44029-019	GUIDE, fork spring	2	
17	44026-031	SPRING, fork	2	
18	44010-021	DUST SHIELD, fork	2	
19	23051-031	BRACKET, turn signal lamp	2	
20	44044-012	CIRCLIP, oil seal fitting	2	
21	44043-044	WASHER, oil seal fitting	2	
22	92049-1216	OIL SEAL, fork outer p	2	
23	44022-007	CYLINDER, fork	2	
23	44023-006	CYLINDER, fork	2	includes ref. #S 24 & 25
24	44018-003	PISTON, fork	2	use for 44022-007
24	44018-009	PISTON, fork	2	
25	44044-008	CIRCLIP, fork piston	2	use for 44022-007
25	44044-019	CIRCLIP, fork piston	2	
26	44013-032	TUBE, fork inner	2	
27	44005-041	TUBE, L.H. fork outer	1	
28	44006-039	TUBE, R.H. fork outer	1	
29	220B0408	SCREW, pan head, 4 x 8	2	
30	44045-002	GASKET, drain plug	2	
31	44045-057	GASKET, fork cylinder bolt	2	
32	44041-040	BOLT, fork cylinder	2	
33	44063-003	HOLDER, front axle	2	
34	461F0800	WASHER, spring, 8 mm	4	
35	311B0800	NUT, 8 mm	4	
36	27016-024	LOCK ASSY, steering	1	
37	44062-003	BOLT, fork top fitting	2	
38	92099-001	SCREW, rivet	1	
39	92033-024	CIRCLIP, steering lock	1	
40	46101-006	KNOB, steering damper	1	



FRONT FORK - 2

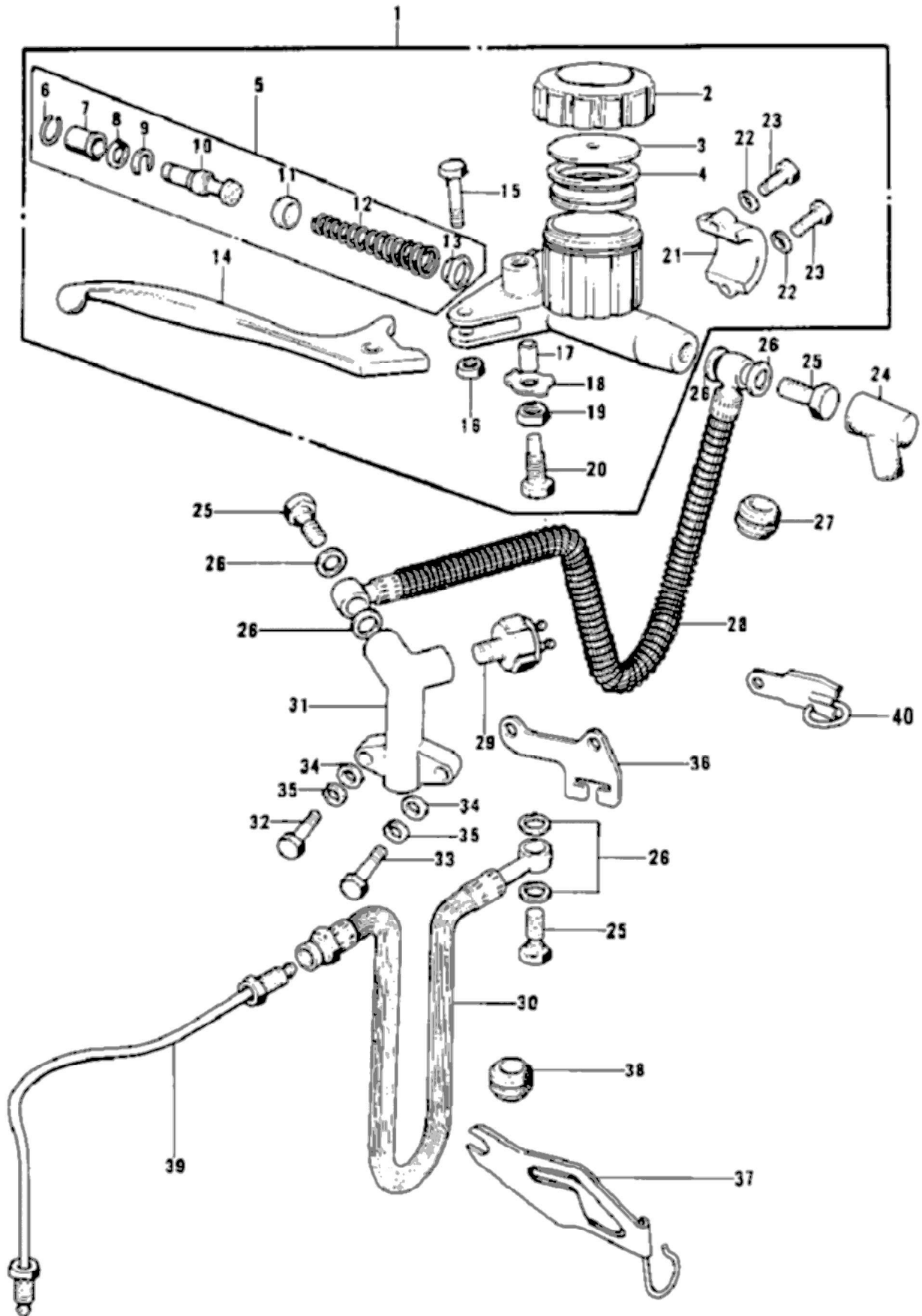
Ref No.	Part No.	Part Name	Quantity	Remarks
41	315N1200A	NUT, 12 mm	1	
42	46126-001	SPRING, steering damper, knob	1	
43	92090-020	BOLT, steering stern	1	
44	46100-002	WASHER, wave	1	
45	92090-007	NUT, steering stern lock	1	
46	46098-016	CAP, steering stern	1	
47	92047-006	RACE INNER, steering hall	2	
48	46106-005	PLATE, steering damper, steel	1	
49	46104-005	PLATE, steering damper, friction	1	
50	46105-005	PLATE, steering damper, anchor	1	
51	46106-006	PLATE, steering damper, steel	1	
52	46124-006	SPRING, steering damper	1	
53	46125-005	NUT, steering damper, guide	1	
54	550D1615	PIN, cotter, 1.6 x1 5	1	
55	114G0812	BOLT, small	1	
56	461F0800	WASHER, spring, 8 mm	1	
57	28012-006	REFLECTOR, reflex, front	2	
58	92094-009	DAMPER RUBBER, reflector	2	
59	411B0500	WASHER, plain, 5 mm	2	
60	461F0500	WASHER, spring, 5 mm	2	
61	311B0500	NUT, 5 mm	2	



FRONT HUB

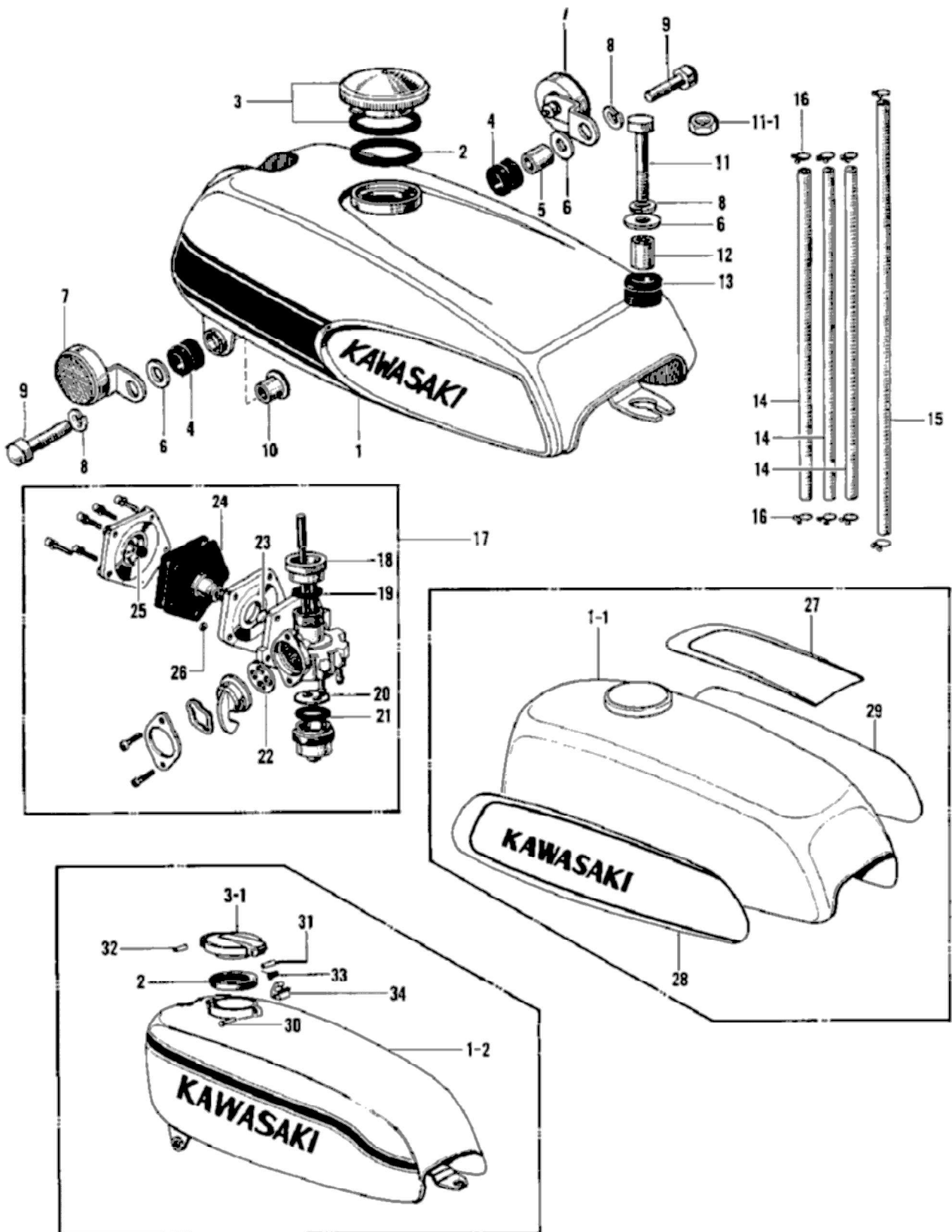
Ref No.	Part No.	Part Name	Quantity	Remarks
1	41034-021-21	DRUM ASSY, front brake, black	1	
2	92052-003	OIL SEAL, coupling	1	
3	92033-1040	RING, snap, 43.5 mm	1	
4	601B6203	BEARING, ball, #6203	2	
5	41039-019	COLLAR, front drum	1	
6	41042-009	COVER, brake drum dust	1	
7	222E0512A	SCREW, countersunk head, 5 x 12	3	
8	41078-001	CASE ASSY, speed gear	1	
9	92050-046	OIL SEAL, VC54656	1	
10	41064-007	RECEIVER, speedometer gear	1	
11	41059-016	GEAR, speedometer	1	
12	41082-001	SPRING, pin	1	
13	41062-001	BUSHING, speedometer cable	1	
14	41063-001	WASHER, thrust	2	
15	41060-012	PINION, speedometer	1	
16	41068-036	AXLE, front	1	
17	41069-018	COLLAR, front axle	1	
18	92102-006	CAP, front drum hole	6	
19	92088-014	WASHER, lock, 8 mm	3	
20	92001-104	BOLT, hex head, 8 x 28	6	

FRONT MASTER CYLINDER



FRONT MASTER CYLINDER

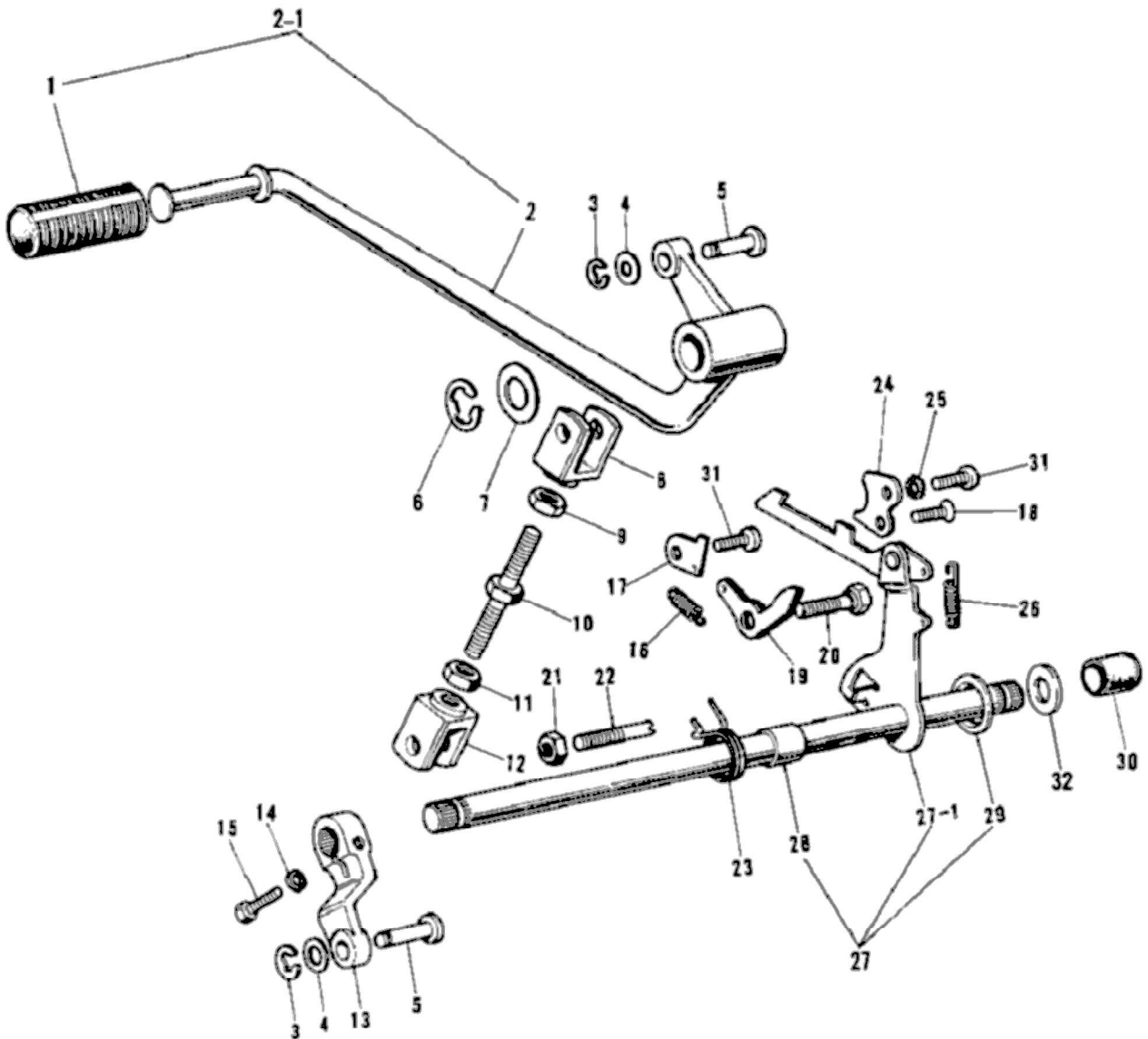
Ref No.	Part No.	Part Name	Quantity	Remarks
1	43015-032	CYLINDER ASSY, master	1	
2	43026-003	CAP, oil cup	1	
3	43027-001	PLATE, diaphragm	1	
4	43028-001	DIAPHRAGM	1	
5	43073-001	REPAIR SET, master cylinder	1	
6	43025-001	STOPPER, dust cover	1	
7	43024-001	DUST COVER	1	
8	481J1800	CIRCLIP, 18 mm	1	
9	43022-001	STOPPER	1	
10	43072-001	PISTON ASSY	1	
11	43019-001	CUP, primary	1	
12	43018-001	SPRING ASSY, return	1	
13	43017-001	VALVE ASSY, check	1	
14	43029-003	VALVE ASSY, check	1	
15	43033-001	BOLT, lever fitting	1	
16	312N0600	NUT, 6 mm	1	
17	43074-001	TUBE	1	
18	43031-001	WASHER, lock	1	
19	314N0800	NUT, 8 mm	1	
20	43030-002	BOLT, lever adjust	1	
21	43034-001	HOLDER, master cylinder	1	
22	411B0600	WASHER, plain, 6 mm	2	
23	110N0625	BOLT, hex head, 6 x 25	2	
24	49006-1041	BOOT, dust	1	
25	92002-1888	BOLT, oil	3	L=23 mm
26	43067-001	WASHER, oil bolt	6	
27	43064-006	DAMPER RUBBER, cylinder hose	1	
28	43059-001	HOSE, front brake	1	
29	43065-001	SWITCH ASSY, front brake	1	
30	43059-1262	HOSE, brake	1	L=350 mm
31	43061-001	JOINT-THREE WAY	1	
32	112N0620	BOLT, upset	1	
33	110N0632	BOLT, hex head, 6 x 32	1	
34	411B0600	WASHER, plain, 6 mm	2	
35	461F0600	WASHER, spring, 6 mm	2	
36	43062-001	GUIDE, hose	1	
37	43063-001	BRACKET, brake hose	1	
38	43064-001	DAMPER RUBBER	1	
39	43060-001	PIPE, front brake	1	
40	43063-002	BRACKET, brake hose	1	



FUEL TANK

Ref No.	Part No.	Part Name	Quantity	Remarks
1	51001-074-67	TANK, fuel, P.C.ORANGE	1	
2	51059-008	GASKET, fuel tank cap	1	
3	51051-004	CAP, fuel tank	1	
4	92075-013	DAMPER RUBBER, tank, front	2	
5	92027-012	SPACER, fuel tank mounting	1	
6	92022-1564	WASHER, 8 x 26 x 2.3	3	
8	461F0800	WASHER, spring, 8 mm	3	
9	92001-1405	BOLT, 8 x 38	2	
10	92027-1134	COLLAR, fuel tank fitting	1	
11	311B0800	NUT, 8 mm	1	
12	92027-034	SPACER, fuel tank, rear	1	
13	92075-030	DAMPER RUBBER, tank, rear	1	
14	51047-001	PIPE, fuel tank connect	3	
15	92059-008	PIPE, fuel	1	
16	92037-010	CLAMP, pipe	8	
17	51023-040	COCK ASSY, fuel	1	
17	51023-040	COCK ASSY, fuel	0	
18	51035-005	NUT, fuel cock joint	1	
19	92065-054	GASKET, fuel cook joint	1	
20	51038-005	STRAINER, fuel	1	
21	51037-007	GASKET, fuel cock cup	1	
22	92065-055	GASKET, fuel cock lever	1	
23	92055-044	"O" RING	1	
24	51069-001	DIAPHRAGM, fuel cock	1	
25	92081-048	SPRING, fuel cock diaphragm	1	
26	92065-052	GASKET, rubber, 7 mm	1	
30	92043-072	PIN, hook	1	
31	92043-073	PIN, tank cap stopper	1	
32	92043-074	PIN, tank cap fitting	1	
33	51053-003	SPRING, hook	1	
34	51063-001	HOOK	1	

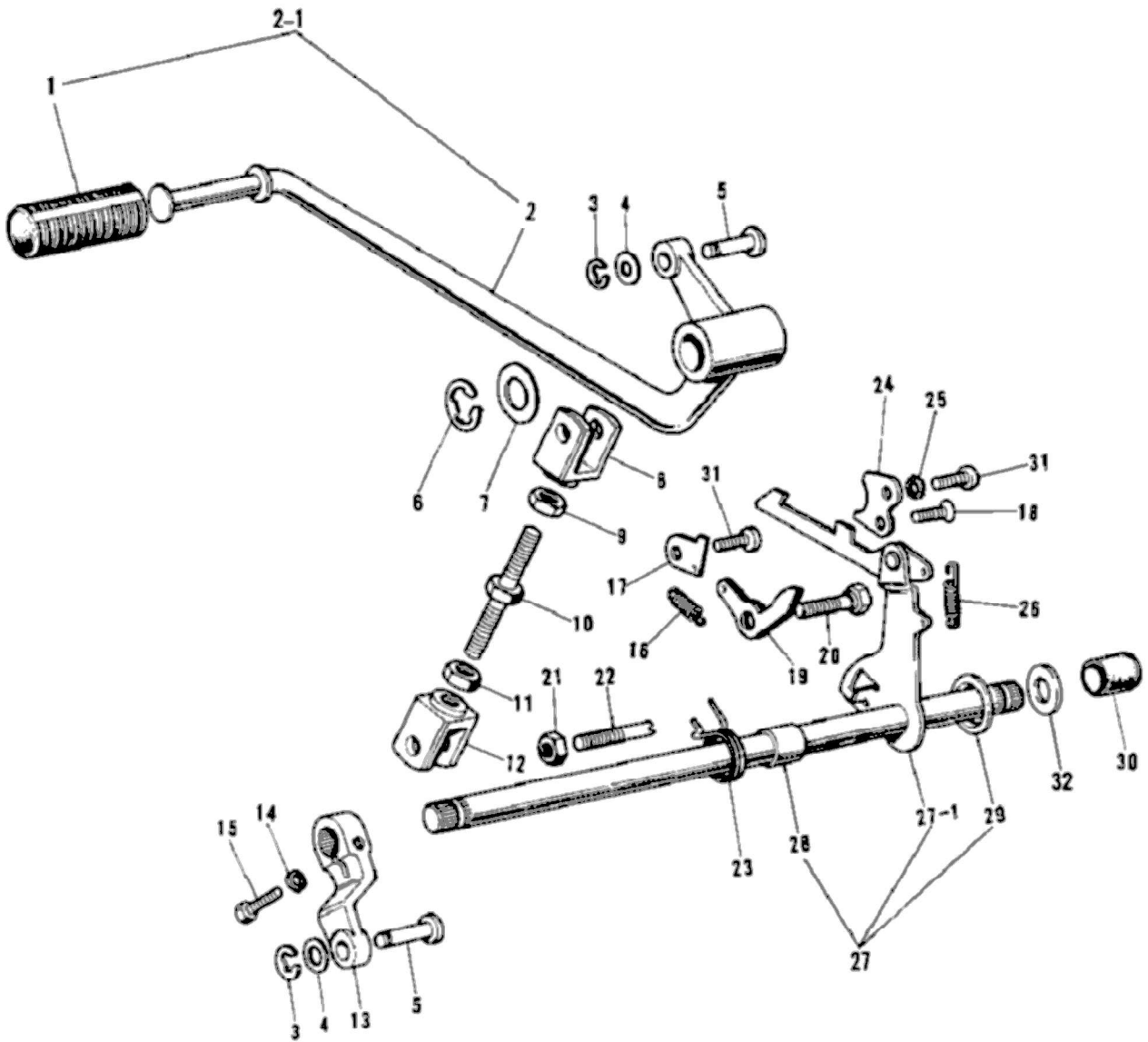
GEAR CHANGE MECHANISM



GEAR CHANGE MECHANISM

Ref No.	Part No.	Part Name	Quantity	Remarks
1	13157-004	RUBBER, gear change pedal	1	
2	13156-026	PEDAL, gear change	1	selective use
2	13242-011	PEDAL, gear change	1	
2	13242-011	PEDAL, gear change	1	
3	482K5000	CIRCLIP, 5 mm	2	
4	410B0600	WASHER, plain, 6 mm	2	
4	410B0800	WASHER, plain, 8 mm	2	
5	92043-024	PIN, joint	2	
5	92043-069	PIN	2	
6	482K0200	CIRCLIP, 12 mm	1	
7	92022-085	WASHER, brake pedal	1	
8	13159-005	JOINT	1	use with 13156-026
8	13159-007	CONNECTOR A (Clockwise thread)	1	
9	318B0800	NUT, 8 mm	1	
9	318N0800	NUT, 8 mm	0	
10	92003-040	BOLT, change pedal, joint	1	
11	92017-004	NUT, 8 mm	1	
11	92017-010	NUT, 8 mm (Counterclockwise thread)	0	
12	13159-006	JOINT	1	use with 13158-004
12	13159-008	CONNECTOR B	1	"A"-Mark
13	13158-004	LEVER, gear change pedal	1	
13	13158-011	LEVER, gear change pedal	1	
14	461F0600	WASHER, spring, 6 mm	1	
14	461F0800	WASHER, spring, 8 mm	1	
15	112G0620	BOLT, upset, 6 x 20	1	
15	115B0822	BOLT, small, upset, 8 x 22	1	
16	92081-1045	SPRING, change drum lever	1	
17	13170-004	PLATE, change drum lever	1	
18	212B0616	SCREW, countersunk head, 6 x 16	1	
19	13168-012	LEVER, gear change drum	1	
20	92150-1450	BOLT, change drum lever	1	
21	312B0800	NUT, 8 mm	1	
22	92001-1401	BOLT, return spring	1	
23	92081-1129	SPRING, tension	1	
24	13169-005	PLATE, gear change drum positioning	1	
25	464H0600	WASHER, lock, 6 mm	1	
26	92144-1720	SPRING, change lever	1	
27	13161-035	LEVER ASSY, gear change	1	
27	13162-008	LEVER ANY, gear change	1	
28	92027-121	COLLAR, gear change lever boss	1	
29	92026-068	SPACER	1	
30	13080-004	RUBBER CAP	1	
31	220B0616	SCREW, pan head, 6 x 16	2	

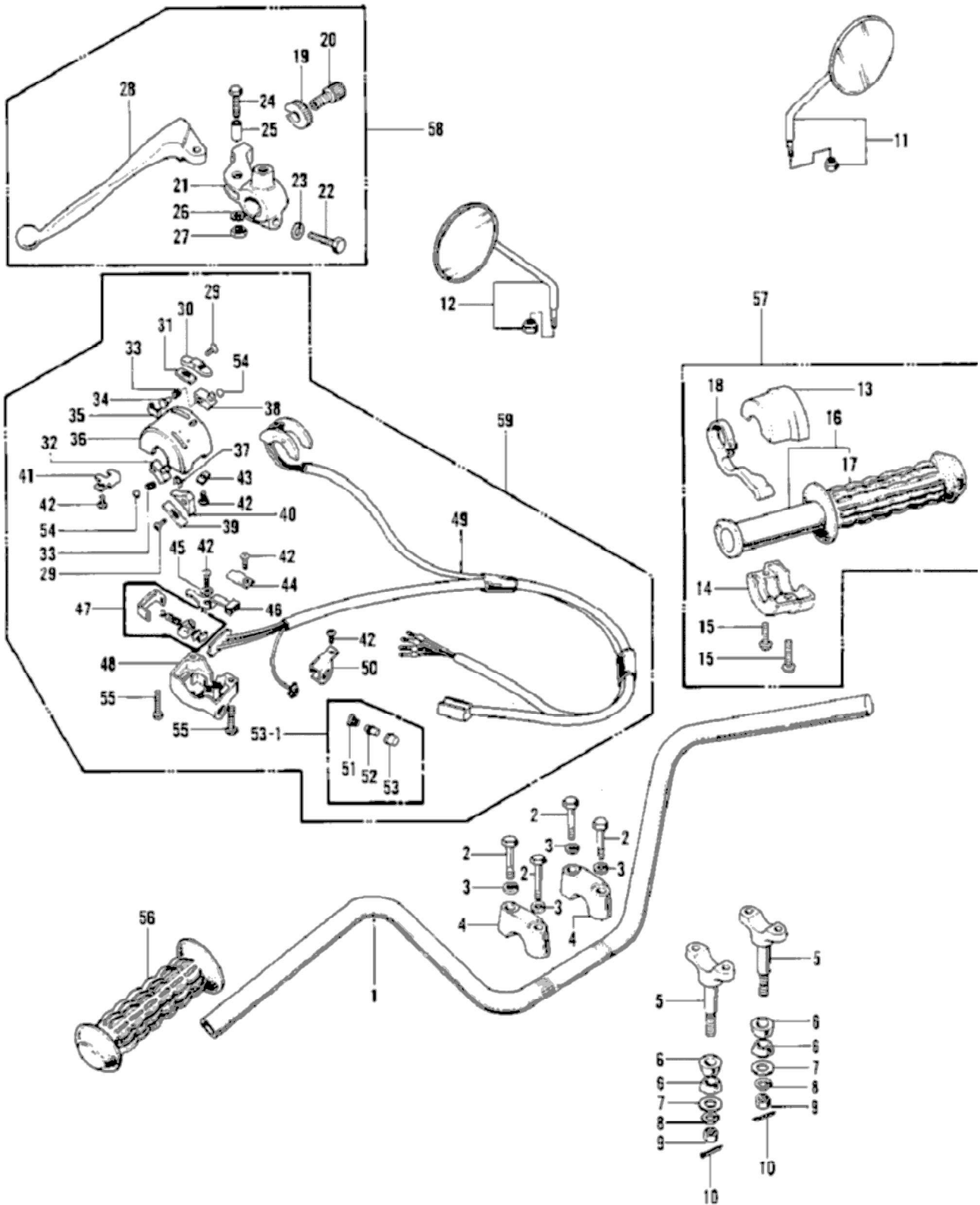
GEAR CHANGE MECHANISM - 2



GEAR CHANGE MECHANISM - 2

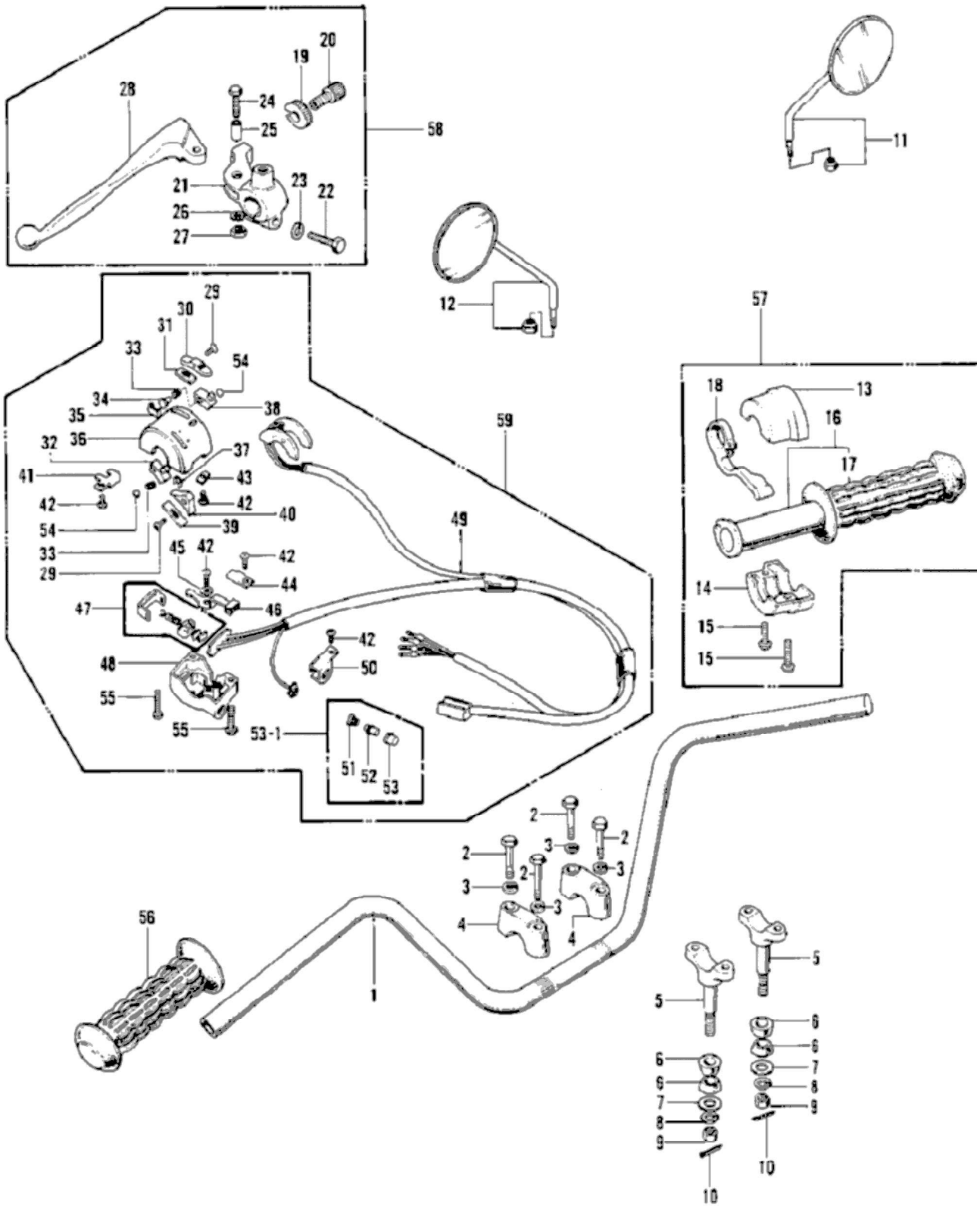
Ref No.	Part No.	Part Name	Quantity	Remarks
32	92022-150	WASHER, plain	1	

HANDLEBAR



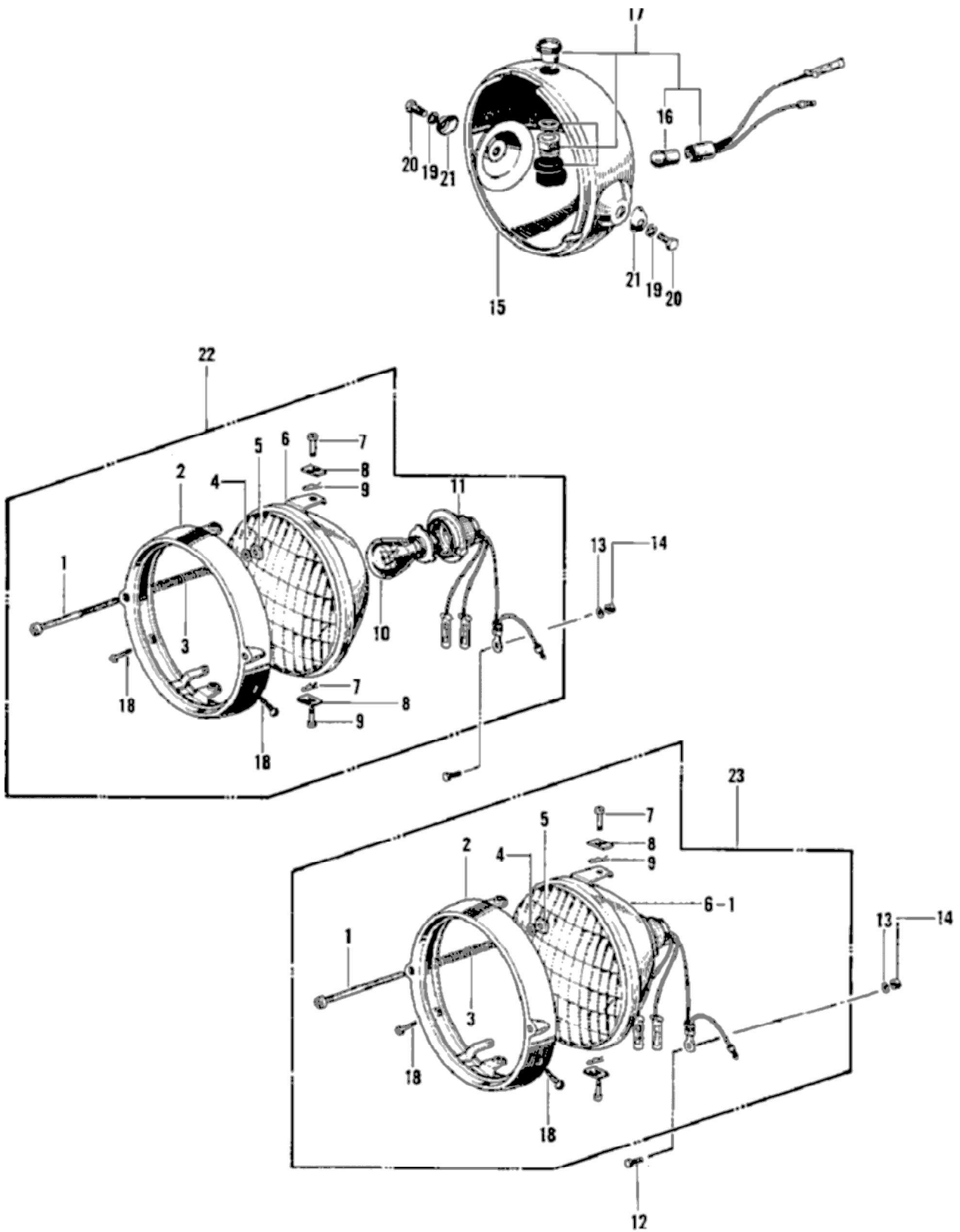
HANDLEBAR

Ref No.	Part No.	Part Name	Quantity	Remarks
1	46003-017	HANDLEBAR	1	
2	92001-1405	BOLT, 8 x 38	4	
3	461F0800	WASHER, spring, 8 mm	4	
4	46012-008	HOLDER, upper handlebar	2	
5	46012-010	HOLDER, lower handlebar	2	
6	92075-039	DAMPER RUBBER, handlebar	4	
7	92022-196	WASHER, plain	2	
8	461F1000	WASHER, spring, 10 mm	2	
9	314B1000	NUT, 10 mm	2	
10	554A0800	PIN, snap	2	
11	56002-020	REAR VIEW MIRROR, R.H.	1	
12	56003-009	REAR VIEW MIRROR, L.H.	1	
13	46041-006	CASE, R.H. upper	1	
14	46023-006	CASE, R.H. lower	1	
15	220B0522	SCREW, pan head, 5 x 22	2	
16	46019-017	GRIP ASSY, throttle	1	
17	46061-012	RUBBER, R.H. grip	1	
18	46096-007	LEVER, starter	1	
19	46056-005	NUT, cable adjust lock	1	
20	46055-006	SCREW, cable adjust	1	
21	46094-011-21	HOLDER, clutch lever, black	1	
22	110N0625	BOLT, hex head, 6 x 25	1	
23	410B0600	WASHER, plain, 6 mm	1	
24	92007-020	BOLT, hex head, 5 x 20	1	
25	46059-011	COLLAR, lever	1	use for 92007-020
26	464H0500	WASHER, lock, 5 mm	1	use for 92007-020
27	312B0500	NUT, 5 mm	1	use for 92007-020
28	46092-015	LEVER, clutch	1	
29	221B0308A	SCREW, countersunk head, 3 x 8	2	
30	46044-008	KNOB, L.H. switch, B	1	
31	46031-006	SPRING,-L.H. switch knob, B	1	
32	46089-005	SWITCH, L.H, A	1	
33	46031-007	SPRING,-L.H. switch	2	
34	46079-004	CONTACT-L.H. switch	1	
35	46080-004	PLATE-L.H. switch contact, B	1	
36	46086-014	CASE, L.H., upper	1	
37	46080-003	PLATE-L.H. switch contact, A	1	
38	46089-006	SWITCH, L.H, B	1	
39	46031-003	SPRING, L.H. switch knob	1	
40	46044-011	KNOB, L.H. switch	1	
41	46085-018	HOLDER, L.H. switch upper, A	1	
42	220B0305A	SCREW, pan head, 3 x 5	5	
43	46085-019	HOLDER, L.H. switch upper, B	1	



HANDLEBAR - 2

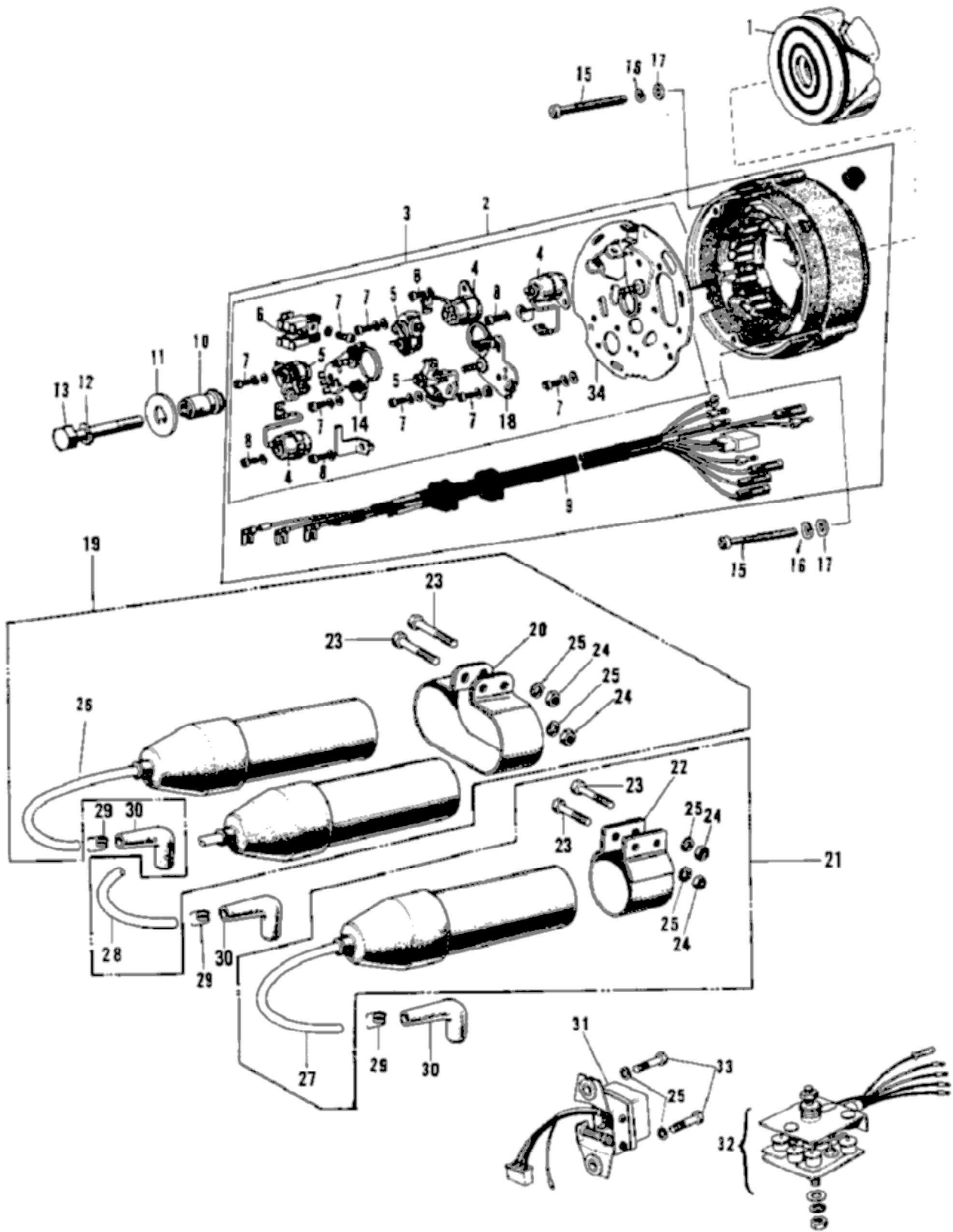
Ref No.	Part No.	Part Name	Quantity	Remarks
44	46085-016	HOLDER, L.H. switch lower, A	1	
45	92095-010	WASHER	1	
46	46044-007	KNOB, switch	1	
47	46089-007	SLIDE BLOCK AY, L.H., switch	1	
48	46077-016	CASE L.H. lower	1	
49	46082-018	WIRING HARNESS, -L.H. switch	1	
50	46085-017	HOLDER, L.H. switch lower, B	1	
51	27010-1009	SWITCH ASSY, horn button	1	
52	27010-1009	SWITCH ASSY, horn button	1	
53	27010-1009	SWITCH ASSY, horn button	1	
53	27010-1009	SWITCH ASSY, horn button	1	
54	46079-004	CONTACT-L.H. switch	2	
55	220B0522	SCREW, pan head, 5 x 22	2	
56	46075-017	RUBBER, L.H. grip	1	
57	46018-018	CASE ASSY-R.H.	1	
58	46076-022	LEVER ASSY, clutch	1	
59	46091-005	CASE ASSY, L.H.	1	



HEADLIGHT

Ref No.	Part No.	Part Name	Quantity	Remarks
1	23019-021	SCREW, focus adjust	1	
2	23006-017	RIM, head lamp	1	
3	23014-005	SPRING, focus adjust	1	
4	23021-004	WASHER	1	
5	23020-016	NUT	1	
6	23007-025	SEALED BEAM UNIT	1	'70 H1, H1-A/B
7	23019-018	SCREW, lens unit fitting	2	
8	23020-009	NUT, lens unit fitting	2	
9	23022-001	PIN LENS UNIT FITTING	2	
12	220B0306	SCREW, pan head, 3 x 6	1	
13	461F0300	WASHER, spring, 3 mm	1	
14	311B0300	NUT, 3 mm	1	
15	23005-018-21	BODY, head lamp, F BLK	1	'70 H1,H1-B
16	92069-017	BULB, 12V 1,5W	1	
17	222E0510	SCREW, countersunk head, 5 x 10	2	
17	23016-002	LAMP ASSY, high beam	1	
19	461F1000	WASHER, spring, 10 mm	2	
20	92007-045	BOLT, hex head, 10 x 25	2	
21	92075-058	DAMPER RUBBER	2	
23	23003-011	LAMP UNIT, head	1	

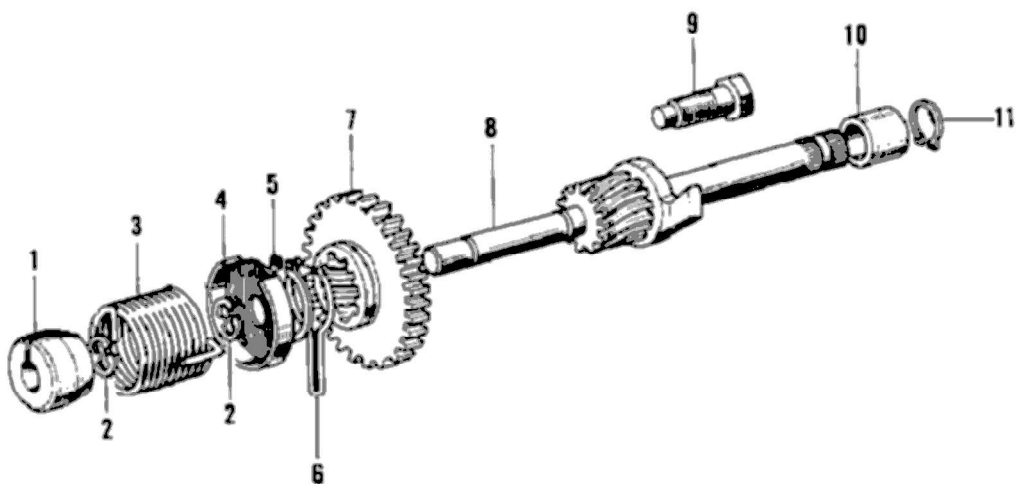
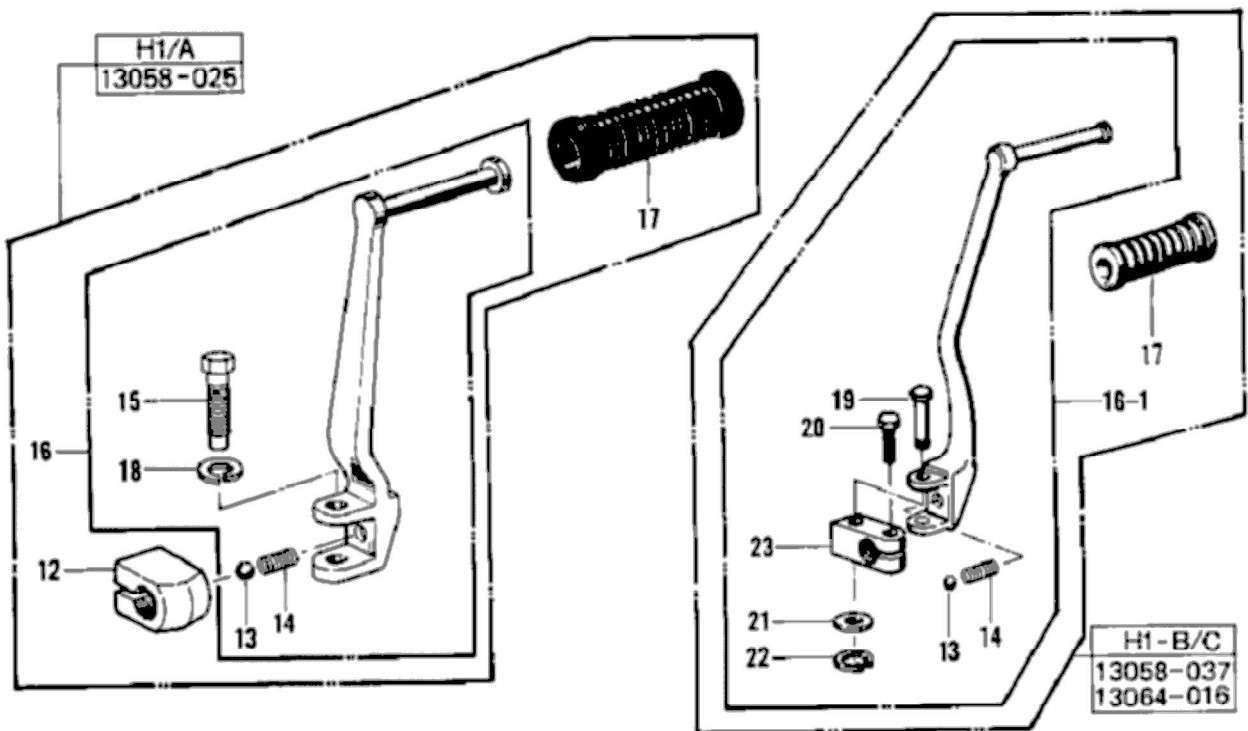
IGNITION, GENERATOR, REGULATOR



IGNITION, GENERATOR, REGULATOR

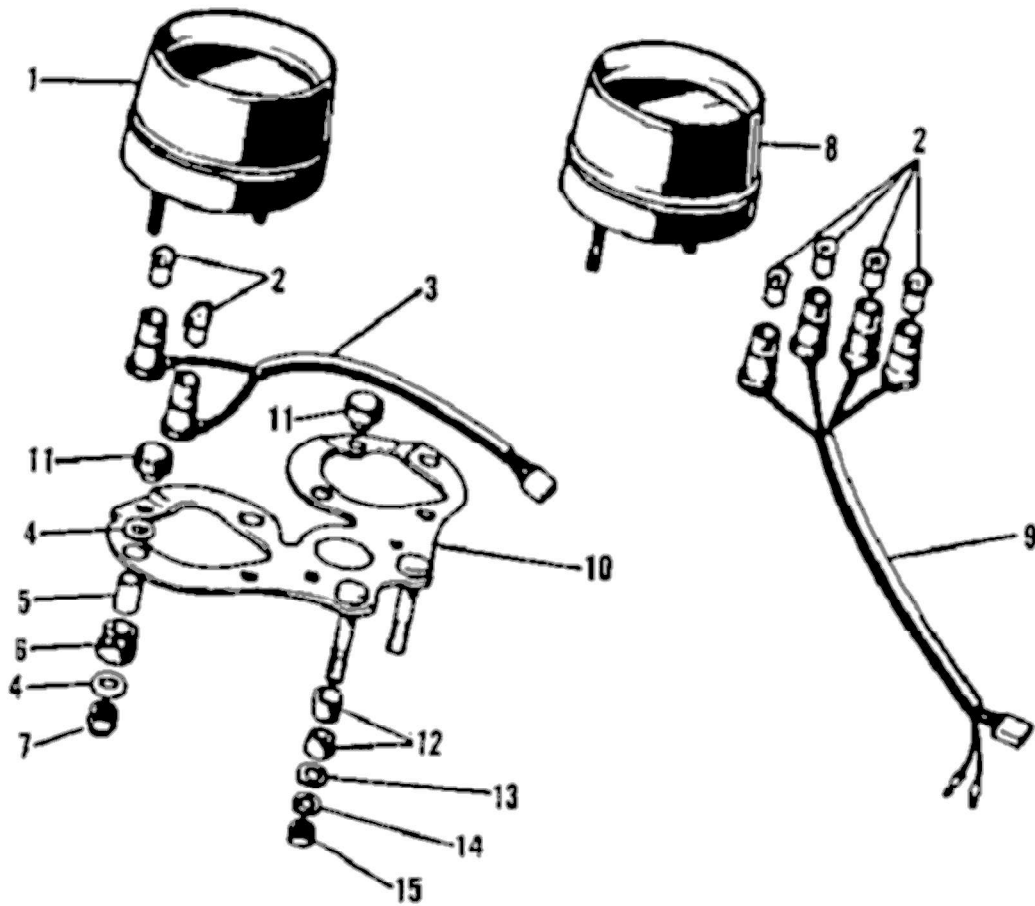
Ref No.	Part No.	Part Name	Quantity	Remarks
1	21007-016	ROTOR	1	
2	21076-012	YOKE ASSY	1	
3	21018-001	BREAKER ASSY	1	
4	21013-015	CONDENSER	3	
5	21082-007	POINT CONTACT BREAKER	3	
6	21088-009	BRUSH, carbon	1	
7	21085-004	SCREW PAN HEAD 4X8	10	
7	220B0408	SCREW, pan head, 4 x 8	10	
8	21085-005	UNAVAILABLE IN PRICE BOOK	4	
8	220B0406	SCREW, pan head, 4 x 6	4	
9	21029-021	WIRING HARNESS-MAG	1	
10	21103-005	CAM-MAGNETO	1	
11	21106-003	CAM PLATE	1	
12	461F0800	WASHER, spring, 8 mm	1	
13	92001-1583	BOLT, flanged, 8 x 70	1	
14	21156-007	PLATE, CENTER BREAKER	1	
15	220B0555A	SCREW, pan head, 5 x 55	3	
16	461F0500	WASHER, spring, 5 mm	3	
17	411B0500	WASHER, plain, 5 mm	3	
18	21156-006	PLATE, R.H. BREAKER	1	
19	21121-054	COIL-IGNITION, L.H. & R.H.	1	
20	21126-005	CLAMP, ignition coil	1	
21	21121-055	COIL-IGNITION, CENTER	1	
22	21126-006	CLAMP, ignition coil	1	
23	112G0640	BOLT, upset, 6 x 40	4	
24	311B0600	NUT, 6 mm	4	
25	461F0600	WASHER, spring, 6 mm	6	
26	21133-023	CORD, high tension, L.H.	1	L=215 MM
27	21133-021	CORD, high tension, center	1	L=106 MM
28	21133-025	CORD, high tension, R.H.	1	L=215 MM
29	92101-001	SPRING, spark plug cap	3	
30	21130-009	CAP, spark plug	3	
31	21072-004	REGULATOR VOLTAGE	1	
32	21061-008	RECTIFIER	1	
33	112G0618	BOLT, hex head, 6 x 18	2	
34	21155-006	PLATE, yoke	1	

KICKSTARTER MECHANISM



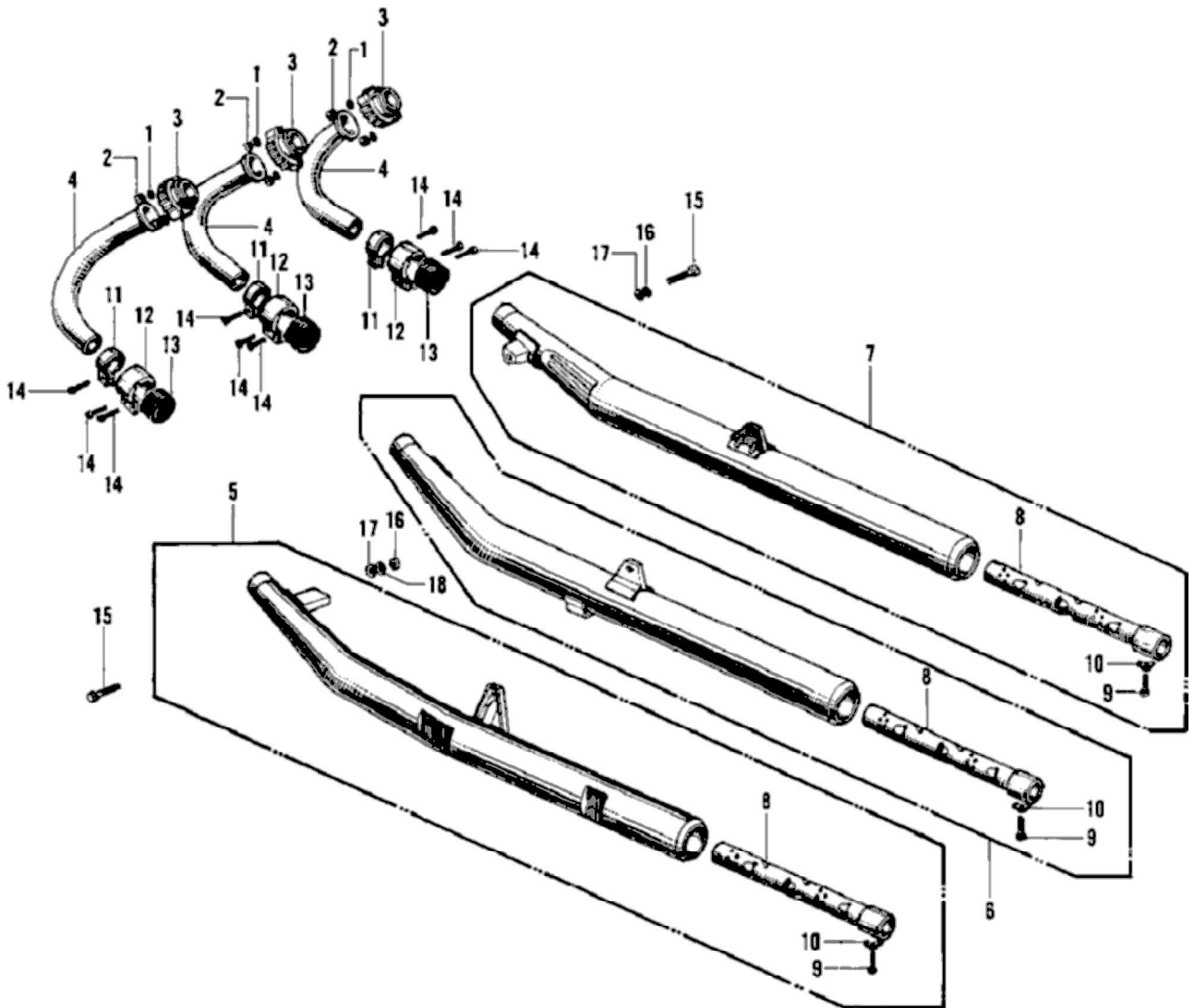
KICKSTARTER MECHANISM

Ref No.	Part No.	Part Name	Quantity	Remarks
1	13070-001	GUIDE, kickstarter spring	1	
2	482J0100	CIRCLIP, 10 mm	2	
3	92081-021	SPRING, kickstarter	1	
4	13071-003	PLATE, kickstarter spring holder	1	
5	480J2600	CIRCLIP, 26 mm	1	
6	13077-002	HOLDER, kickstarter gear	1	
7	13068-015	GEAR, kickstarter	1	
8	13245-009	SHAFT, kickstarter	1	
9	13072-006	STOPPER, kickstarter	1	
10	92028-072	BUSHING	1	
11	480J1600	CIRCLIP, 16 mm	1	
13	600A0600	BALL, steel, 3/16"	1	
14	92081-020	SPRING, kickstarter pedal	1	
16	13064-016	PEDAL, kickstarter	1	
16	13064-016	PEDAL, kickstarter	1	
17	13063-004	RUBBER, kickstarter pedal	1	
19	92043-075	PIN, kickstarter	1	
20	92001-101	BOLT, hex head, 10 x 25	1	
21	410B0800	WASHER, plain, 8 mm	1	
22	482K5000	CIRCLIP, 5 mm	1	
23	13061-013	BOSS, kickstarter pedal	1	



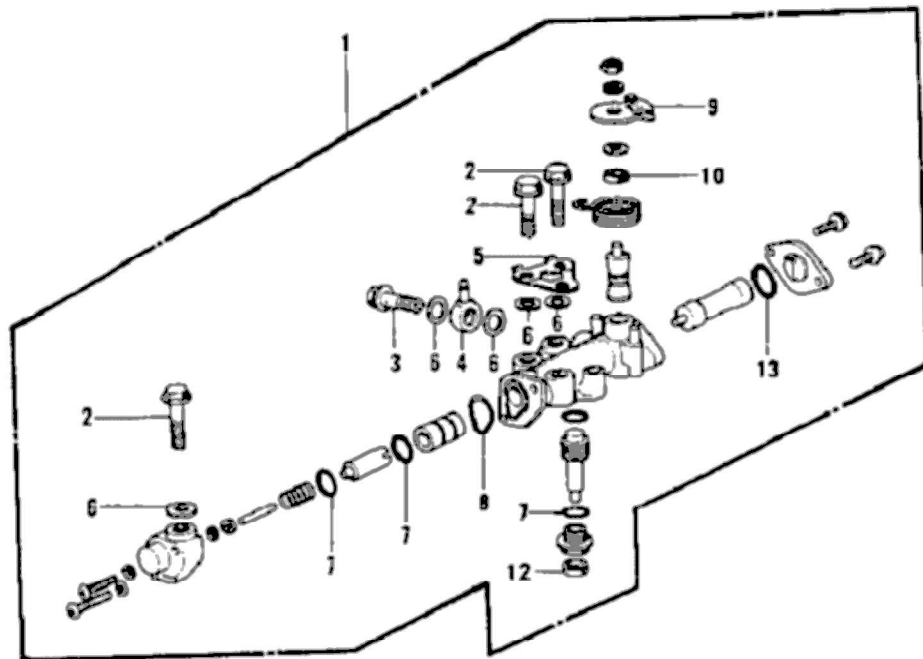
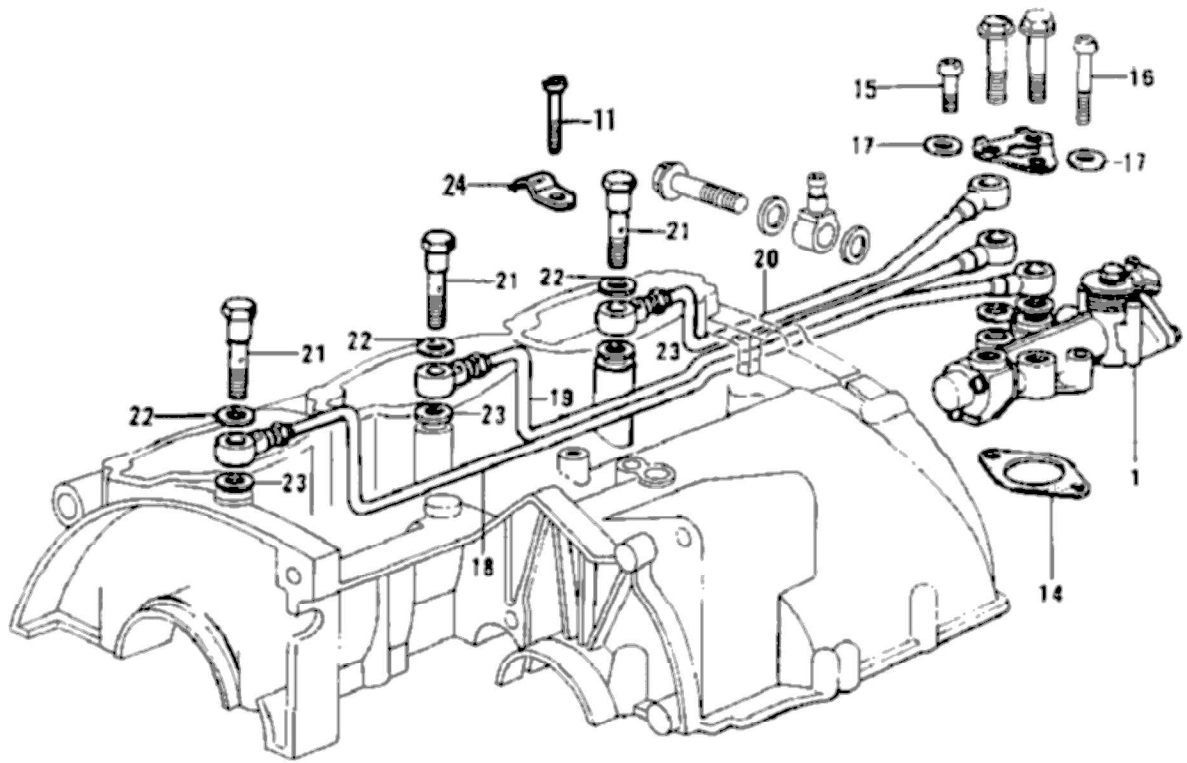
METERS, IGNITION SWITCH

Ref No.	Part No.	Part Name	Quantity	Remarks
1	25005-052	SPEEDOMETER ASSY, MPH	1	INCLUDES REF. #S 2-7
2	92069-018	BULB, 12V 3W	6	
3	25011-020	SOCKET, speedometer	1	
4	92022-194	WASHER, meter fitting	8	
5	92027-140	COLLAR	4	
6	92075-089	DAMPER RUBBER, meter fitting	4	
7	92015-009	NUT, 6 mm	4	
8	25016-014	TACHOMETER ASSY	1	INCLUDES REF. #S 2,4-9
9	25011-021	SOCKET, tachometer	1	
10	25008-014	BRACKET, speedometer	1	
11	92075-090	DAMPER RUBBER, meter bracket	3	
12	92075-080	DAMPER RUBBER	4	
13	411B0800	WASHER, plain, 8 mm	2	
14	461F0800	WASHER, spring, 8 mm	2	
15	311B0800	NUT, 8 mm	2	



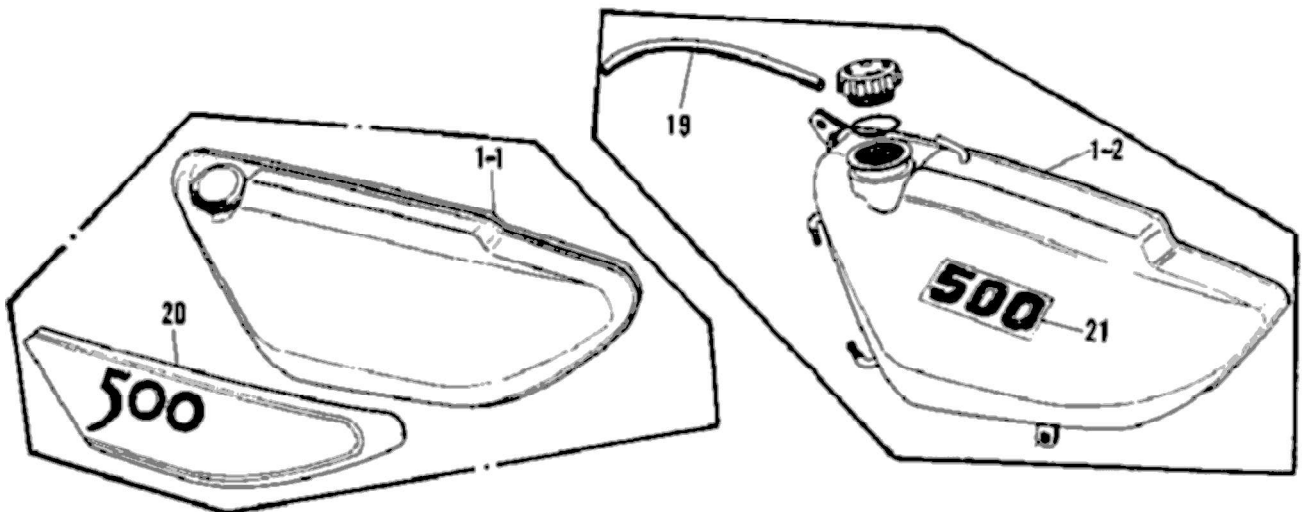
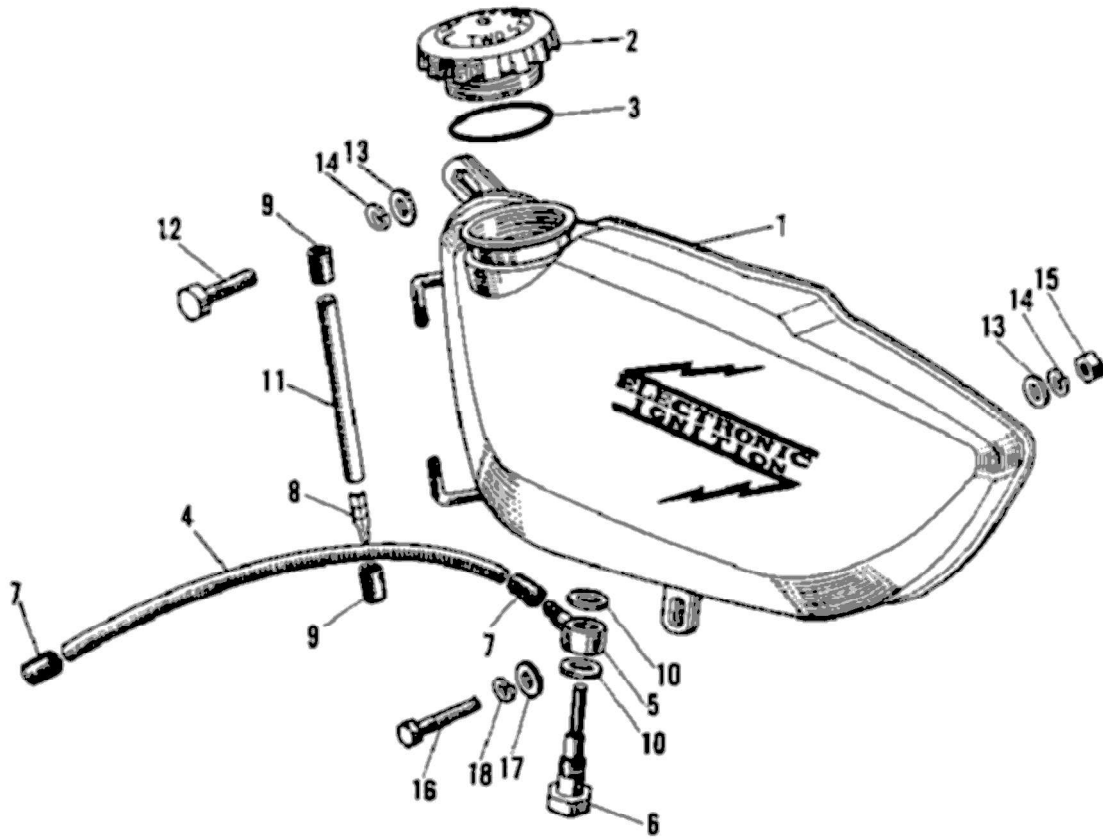
MUFFLERS

Ref No.	Part No.	Part Name	Quantity	Remarks
1	461F0600	WASHER, spring, 6 mm	6	
2	311B0600	NUT, 6 mm	6	
3	18069-024	HOLDER, exhaust pipe	3	
4	18049-050	PIPE EXHAUST	3	
5	18001-063	MUFFLER ASSY, L.H.	1	
6	18001-064	MUFFLER ASSY, center	1	
7	18001-065	MUFFLER ASSY, R.H.	1	
8	18033-051	BAFFLE TUBE	3	
9	112G0612	BOLT, upset, 6 x 12	3	
10	92024-016	WASHER, lock	3	
11	18044-007	HOLDER MUFFLER CONECT	3	
12	18044-006	HOLDER MUFFLER CONECT	3	
13	18043-010	CONNECTOR MUFFLER	3	
14	220B0625	SCREW, pan head, 6 x 25	9	
15	115G0820	BOLT, small, upset, 8 x 20	2	
16	461F0800	WASHER, spring, 8 mm	2	
17	411B0800	WASHER, plain, 8 mm	2	
18	311B0800	NUT, 8 mm	1	



OIL PUMP

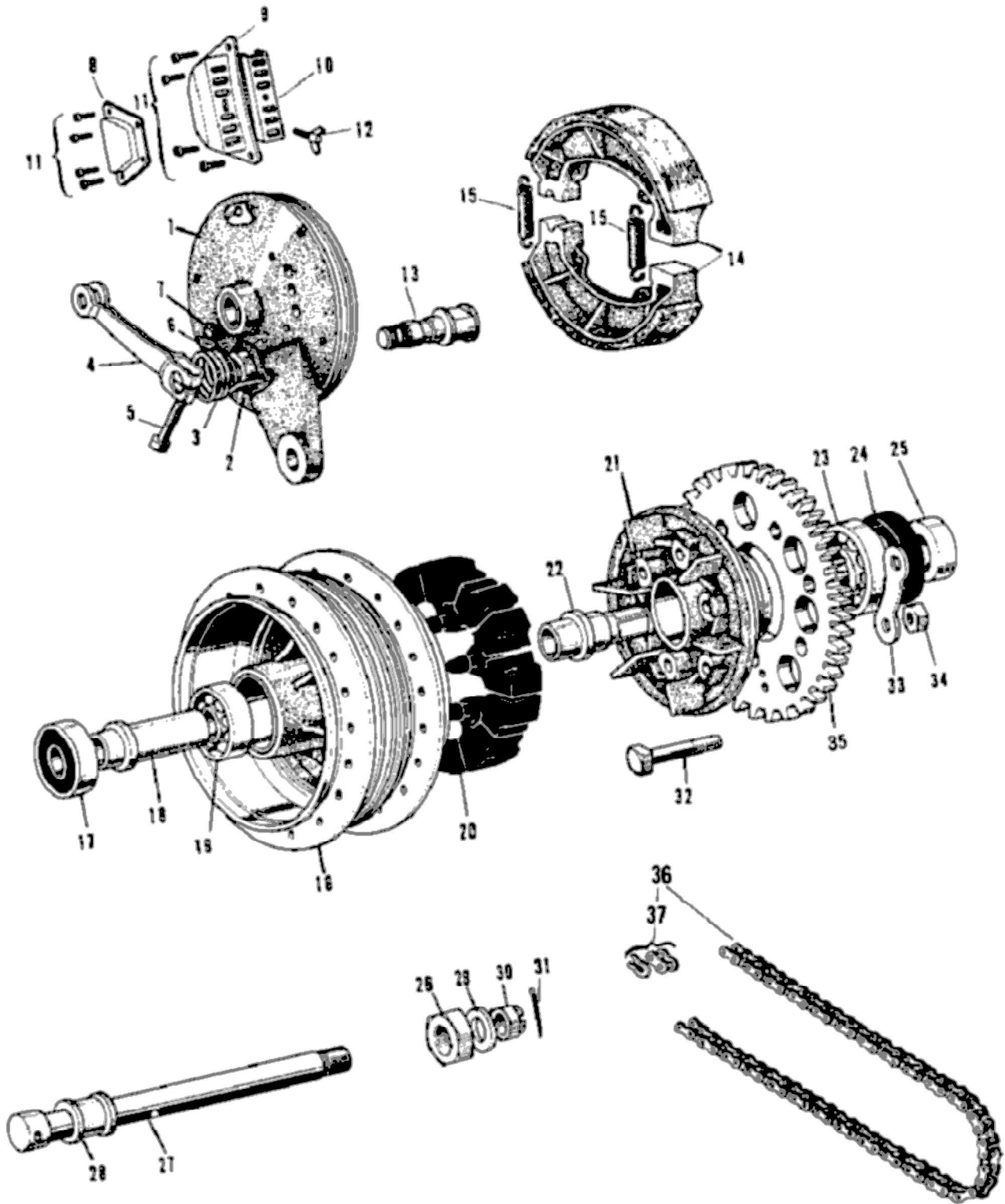
Ref No.	Part No.	Part Name	Quantity	Remarks
1	16082-040	OIL PUMP ASSY	1	
2	92060-008	BOLT, banjo	3	L=17,5 mm
3	92060-009	BOLT, banjo	1	L=24 mm
4	92061-015	CONNECTOR, banjo	1	
5	92024-058	WASHER, lock	1	
6	92022-077	GASKET, oil pump banjo	5	
7	16090-002	O-RING, oil pump shaft	3	
8	16088-002	O-RING, oil pump upper cap	1	
9	16096-003	LEVER, oil pump cable	1	
10	92049-1294	OIL SEAL, camshaft, "X"	1	
11	220B0610	SCREW, pan head, 6 x 10	1	
12	16091-001	OIL SEAL, oil pump shaft	1	
13	16090-003	O-RING, oil pump lower cap	1	
14	11060-1160	GASKET, oil pump	1	
15	220B0514	SCREW, pan head, 5 x 14	1	
16	220B0528	SCREW, pan head, 5 x 28	1	
17	92022-037	WASHER, oil pump	2	
18	16134-004	UNAVAILABLE IN PRICE BOOK	1	no longer available
18	16134-007	PIPE ASSY, oil, L.H.	1	
18	16138-001	PIPE ASSY, oil, L.H.	1	no longer available
19	16134-005	UNAVAILABLE IN PRICE BOOK	1	no longer available
19	16134-008	PIPE ASSY, oil, Center	1	
19	16138-002	PIPE ASSY, oil, Center	1	no longer available
20	16134-006	UNAVAILABLE IN PRICE BOOK	1	no longer available
20	16134-009	PIPE ASSY, oil, R.H.	1	
20	16138-003	PIPE ASSY, oil, R.H.	1	no longer available
21	92001-061	BOLT, banjo	3	USE FOR 16134-004/005/006
21	92060-010-79	BOLT, banjo	3	Cr-Plated
22	92065-023	GASKET, check valve	3	I.D.=8,5 mm
22	92065-058	GASKET, check valve	3	I.D.=10,5 mm
23	92065-023	GASKET, check valve	3	I.D.=8,5 mm
24	16068-004	HOLDER, oil pipe	1	



OIL TANK

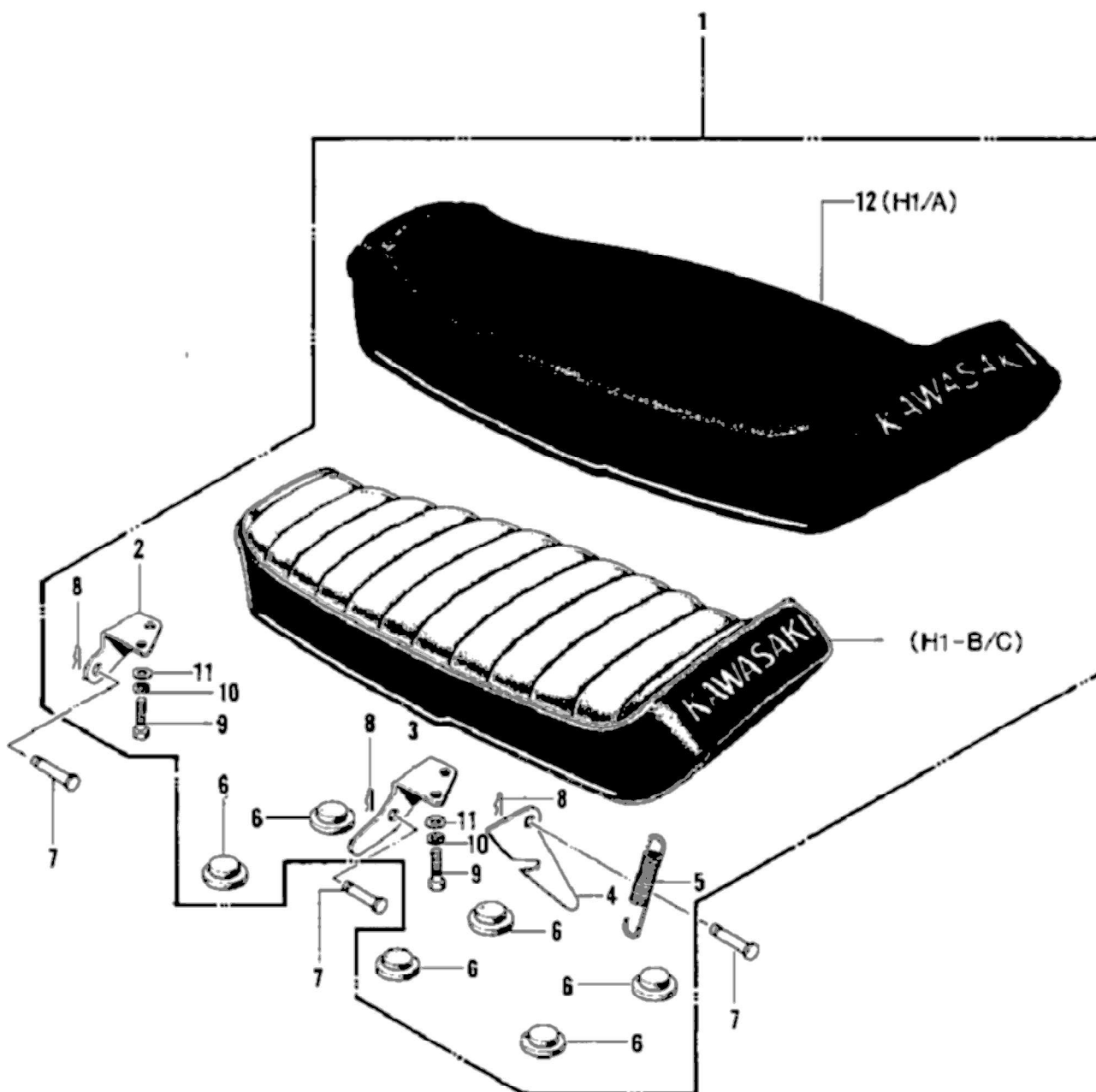
Ref No.	Part No.	Part Name	Quantity	Remarks
1	52001-028-67	TANK-OIL, P.C. ORANGE	1	
2	52003-009	CAP, oil tank	1	
3	670B3036	"O" RING, 36 mm	1	
4	92059-021	PIPE, oil tank	1	
5	92061-003	CONNECTOR, banjo	1	
6	92060-001	BOLT, oil tank, banjo	1	
7	92081-027	SPRING, coil	2	
8	52005-004	GAUGE, oil level	1	
9	92037-040	CLAMP, oil lever pipe	2	
10	11009-1146	GASKET, 10,2 x 15 x 1,5T	2	
11	700Q0695	TUBE, vinyl, 6 x 95	2	
12	115G0818	BOLT, small, upset, 8 x 18	1	
13	411B0800	WASHER, plain, 8 mm	2	
14	461F0800	WASHER, spring, 8 mm	2	
15	311B0800	NUT, 8 mm	1	
16	112G0660	BOLT, upset, 6 x 60	1	
17	411B0600	WASHER, plain, 6 mm	1	
18	461F0600	WASHER, spring, 6 mm	1	
19	700Q05470	TUBE, vinyl, 5 x 470	1	
21	56018-098	EMBLEM, side cover	1	

REAR HUB, BRAKE, CHAIN



REAR HUB, BRAKE, CHAIN

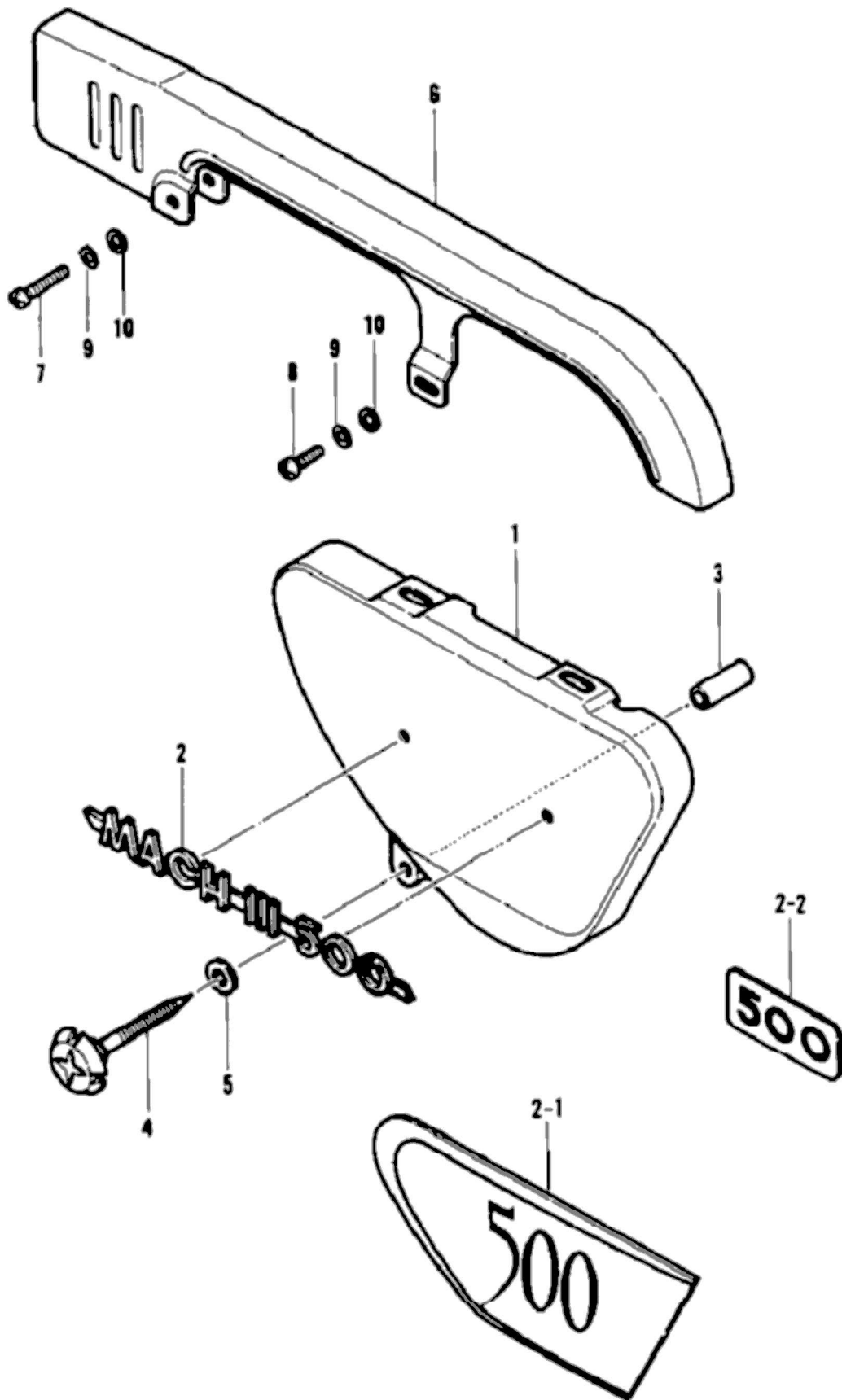
Ref No.	Part No.	Part Name	Quantity	Remarks
1	42006-013-21	DRUM ASSY, rear brake	1	
2	41051-001	DUST SHIELD, brake cam	1	
3	41056-003	SPRING, brake cam lever	1	
4	42029-037	LEVER, rear brake cam	1	
5	112G0640	BOLT, upset, 6 x 40	1	
6	411B0600	WASHER, plain, 6 mm	1	
7	311B0600	NUT, 6 mm	1	
8	42023-002	OUTLET, ventilator	1	
9	42022-002	INNLET, ventilator	1	
10	42024-001	SHUTTER AIR	1	
11	220E0406A	SCREW, pan head, 4 x 6	8	
12	92001-062	BOLT, 3 x 10, wing	1	
13	42026-009	CAM SHAFT, rear brake	1	
14	42019-007	SHOE, brake	2	
15	42020-003	SPRING, brake shoe	2	
16	42005-015-80	DRUM ASSY, rear brake	1	Buff Finish
17	601B6205Z	BEARING, ball, #6205Z	1	
18	42010-014	SPACER, rear hub bearing	1	
19	601B6303Z	BEARING, ball, #6303Z	1	
20	42014-014	DAMPER, rear hub shock	1	
21	42008-005	COUPLING ASSY, rear hub	1	INCLUDES REF. #S 22-26
22	42036-011	SLEEVE, rear hub coupling	1	
23	601B6305	BEARING, ball, #6305	1	
24	92050-027	OIL SEAL, #39627	1	
25	42037-017	COLLAR, sleeve	1	
26	42045-006	NUT, sleeve	1	
27	42031-038	AXLE, rear	1	
28	42032-017	COLLAR, rear axle	1	
29	42046-010	WASHER, L.H., sleeve	1	
30	42045-014	NUT, castle, 16 mm	0	
30	42045-014	NUT, castle, 16 mm	1	
31	550D4030	PIN, cotter, 4,0 x 30	1	
32	92003-087	BOLT, rear sprocket fitting	6	
33	92088-007	WASHER, lock	3	
34	42045-005	NUT, 10 mm	6	
35	42041-046	REAR SPROCKET, 45T	1	STD
35	42041-047	REAR SPROCKET, 43T	1	Option
35	42041-077	REAR SPROCKET, 47T	1	Option
36	92057-010	DRIVE CHAIN, 530 x 102L	1	530 x 102L
37	92058-015	CHAIN, joint 530	1	



DUAL SEAT

Ref No.	Part No.	Part Name	Quantity	Remarks
1	53001-072	SEAT ASSY, dual	1	
2	53009-012-10	HINGE, front, black	1	
3	53009-013-10	HINGE, rear, black	1	
4	53008-006	HOOK	1	
5	53012-002	SPRING	1	
6	92075-023	DAMPER RUBBER, dual seat	6	
7	53011-001	PIN, dual seat pivot	3	
8	550D2015	PIN, cotter, 2,0 x 15	3	
8	554A0800	PIN, snap	3	
9	112B0614	BOLT, upset, 6 x 14	4	
10	461F0600	WASHER, spring, 6 mm	4	
11	411B0600	WASHER, plain, 6 mm	4	

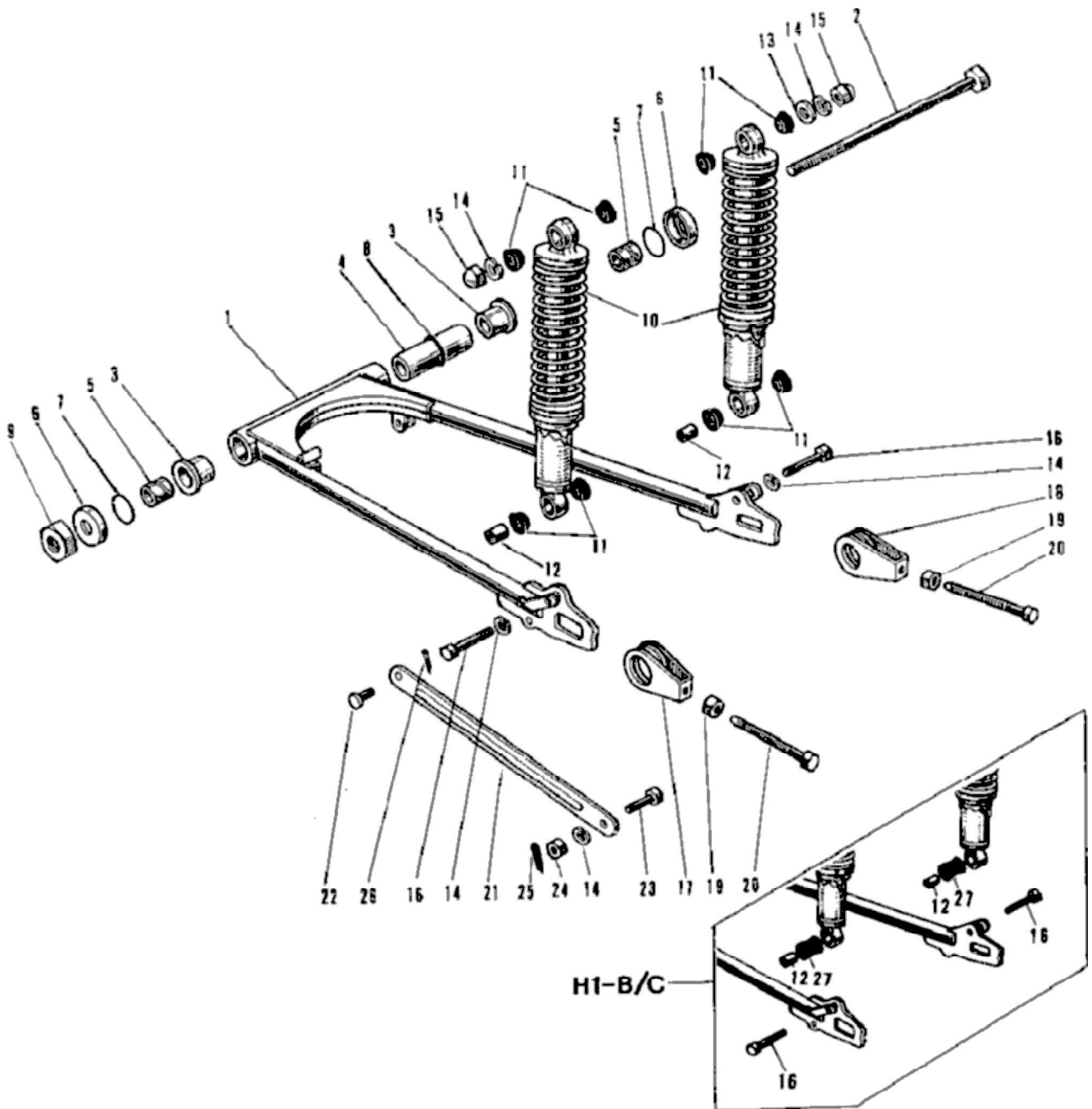
SIDE COVERS, CHAIN COVER



SIDE COVERS, CHAIN COVER

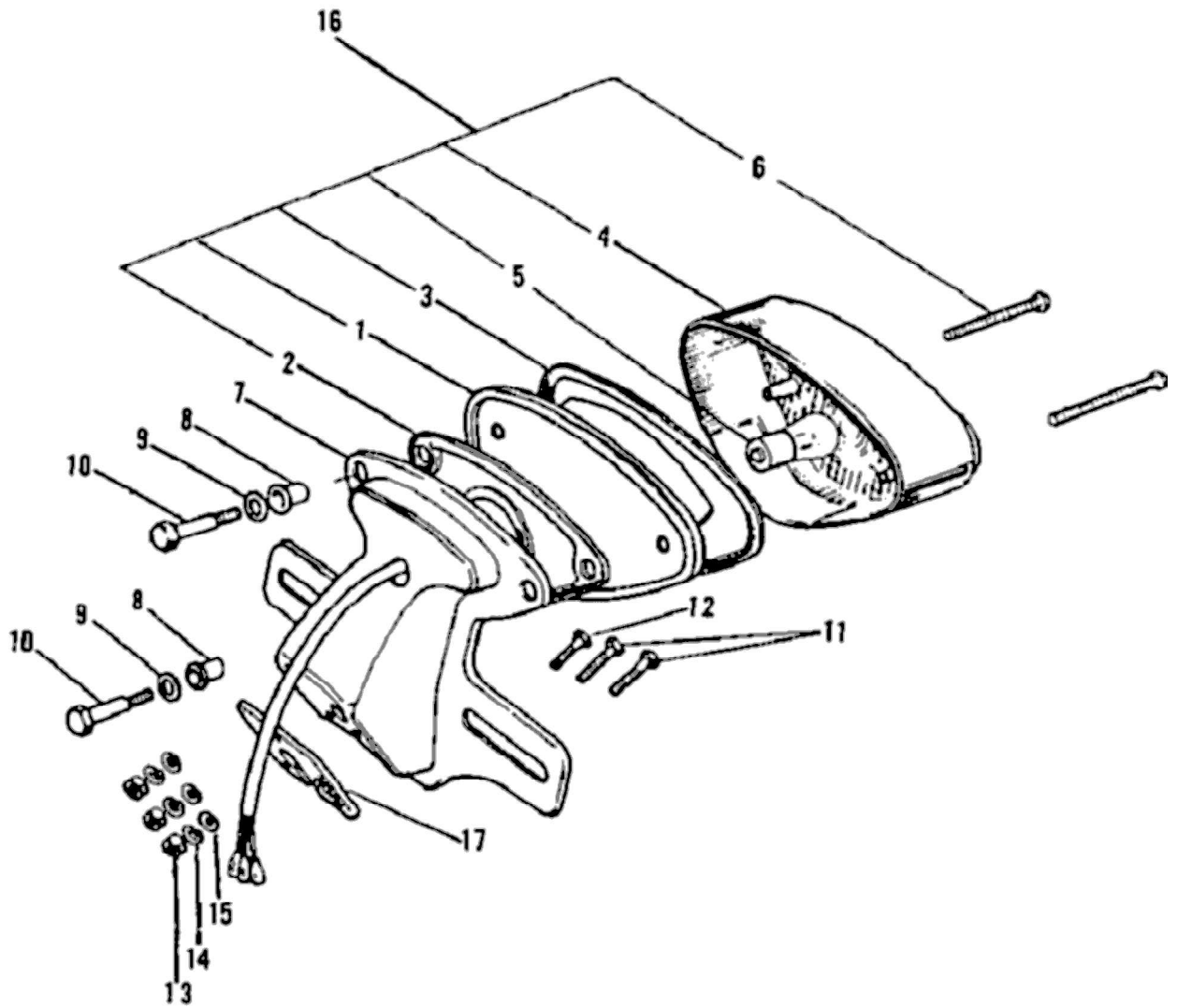
Ref No.	Part No.	Part Name	Quantity	Remarks
1	36001-034-67	COVER, L.H. SIDE, P.C.O.	1	
2	56018-099	EMBLEM, oil tank	1	
3	92094-001	RUBBER, side cover knob	1	
4	92077-016	KNOB, L.H., side cover	1	
5	410B0600	WASHER, plain, 6 mm	1	
6	36014-042	COVER, chain	1	
7	220E0650	SCREW, pan head, 6 x 50	1	
8	220E0612	SCREW, pan head, 6 x 12	1	
9	461F0600	WASHER, spring, 6 mm	2	
10	411B0600	WASHER, plain, 6 mm	2	

SWINGING ARM, REAR SHOCK ABSORBER



SWINGING ARM, REAR SHOCK ABSORBER

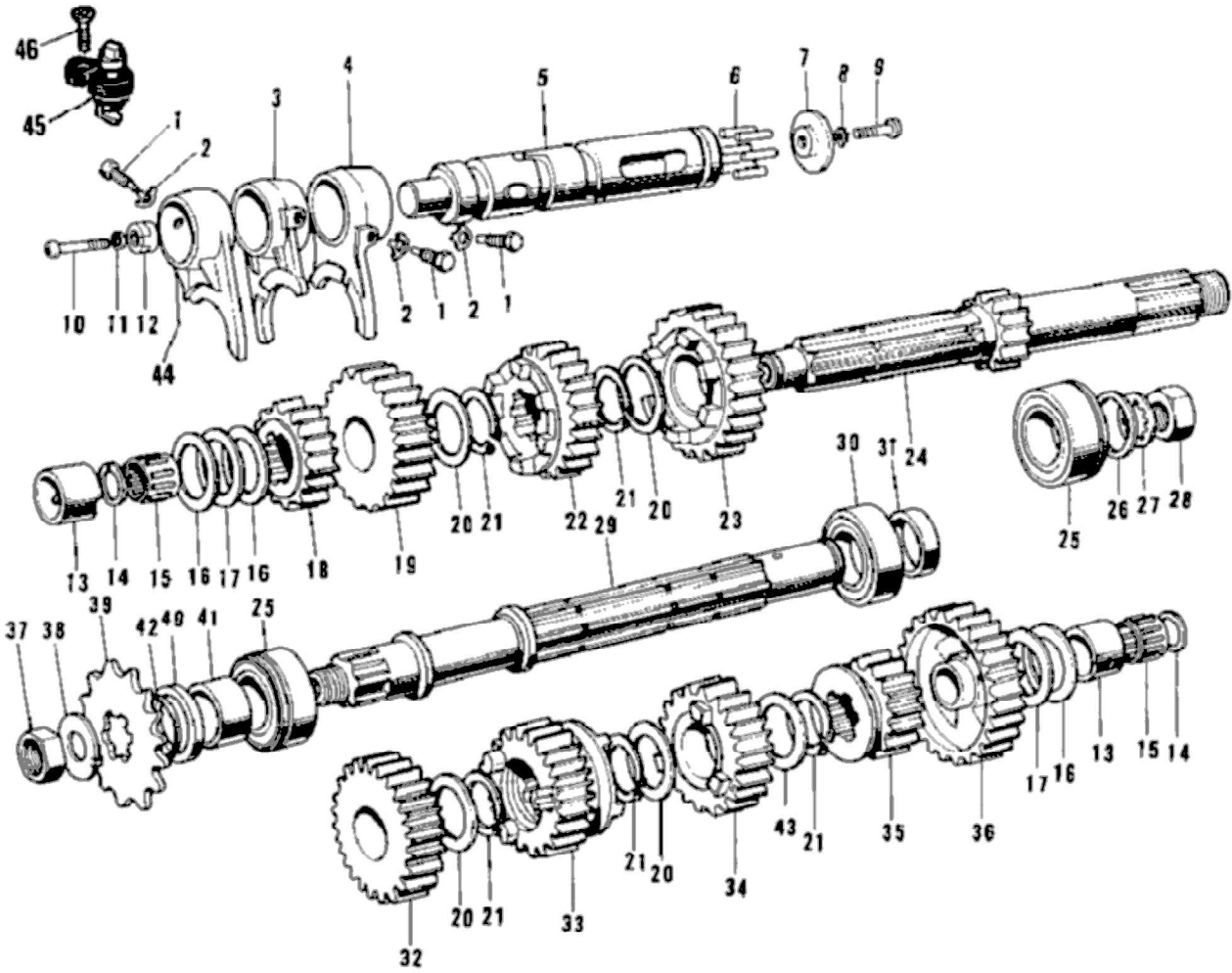
Ref No.	Part No.	Part Name	Quantity	Remarks
1	33001-040	SWINGING ARM	1	
2	33032-038	SHAFT, swinging arm pivot	1	
2	33032-038	SHAFT, swinging arm pivot	1	
3	33033-009	BUSHING, swinging arm	2	
4	33034-008	SLEEVE, swinging arm long	1	
5	33034-009	SLEEVE, swinging arm short	2	
6	33035-007	CAP, swinging arm	2	
7	671B2530	"O" RING, 30 mm	2	
9	92019-012	NUT, lock, 16 mm	1	
10	45014-056	SHOCK ABSORBER, rear	2	
11	45017-001	BUSHING, shock absorber rubber	4	
12	45016-005	BUSHING, shock absorber, pivot shaft	2	
13	92022-044	WASHER, plain, 10,5 x 26 x 23	1	
14	461F1000	WASHER, spring, 10 mm	3	
15	92020-003	NUT, shock absorber fitting	2	
16	92003-083	BOLT, hex head, 10 x 35	2	
17	33040-028	ADJUSTER, chain, L.H	1	
18	33040-029	ADJUSTER, chain, R.H	1	
19	312B0800	NUT, 8 mm	2	
20	92001-1399	BOLT, 8 x 50	2	
21	43007-016	TORQUE LINK, rear brake	1	
22	43009-001	PIN REAR TORQUE LINK	1	
23	92003-034	BOLT, hex head, 10 mm	1	
24	321B1000	NUT, castle 10 mm	1	
25	554A0800	PIN, snap	1	
26	550D2520	PIN, cotter, 2,5 x 20	1	
27	45017-018	BUSHING, shock absorber rubber	2	



TAILLIGHT

Ref No.	Part No.	Part Name	Quantity	Remarks
1	23027-029	CASE, tail lamp	1	
2	23028-015	GASKET, tail lamp case	1	
3	23028-016	GASKET, tail lamp lens	1	
4	23026-022	LENS, tail lamp	1	
5	92069-059	BULB, 12V 32/3 CP	1	
6	220R0455	SCREW, pan head, 4 x 55	4	
7	23036-014-21	BRACKET, license plate, black	1	
8	92075-091	DAMPER RUBBER, bracket	2	
9	92022-1561	WASHER, 8.5 x 20 x 1.6	2	
10	92001-105	BOLT	2	
11	112G0640	BOLT, upset, 6 x 40	2	
12	110G0650	BOLT, hex head, 8 x 50	1	
13	312B0600	NUT, 6 mm	3	
14	461F0600	WASHER, spring, 6 mm	3	
15	411B0600	WASHER, plain, 6 mm	3	
16	23025-044	LAMP ASSY, tail	1	INCLUDES REF. #S 1-6

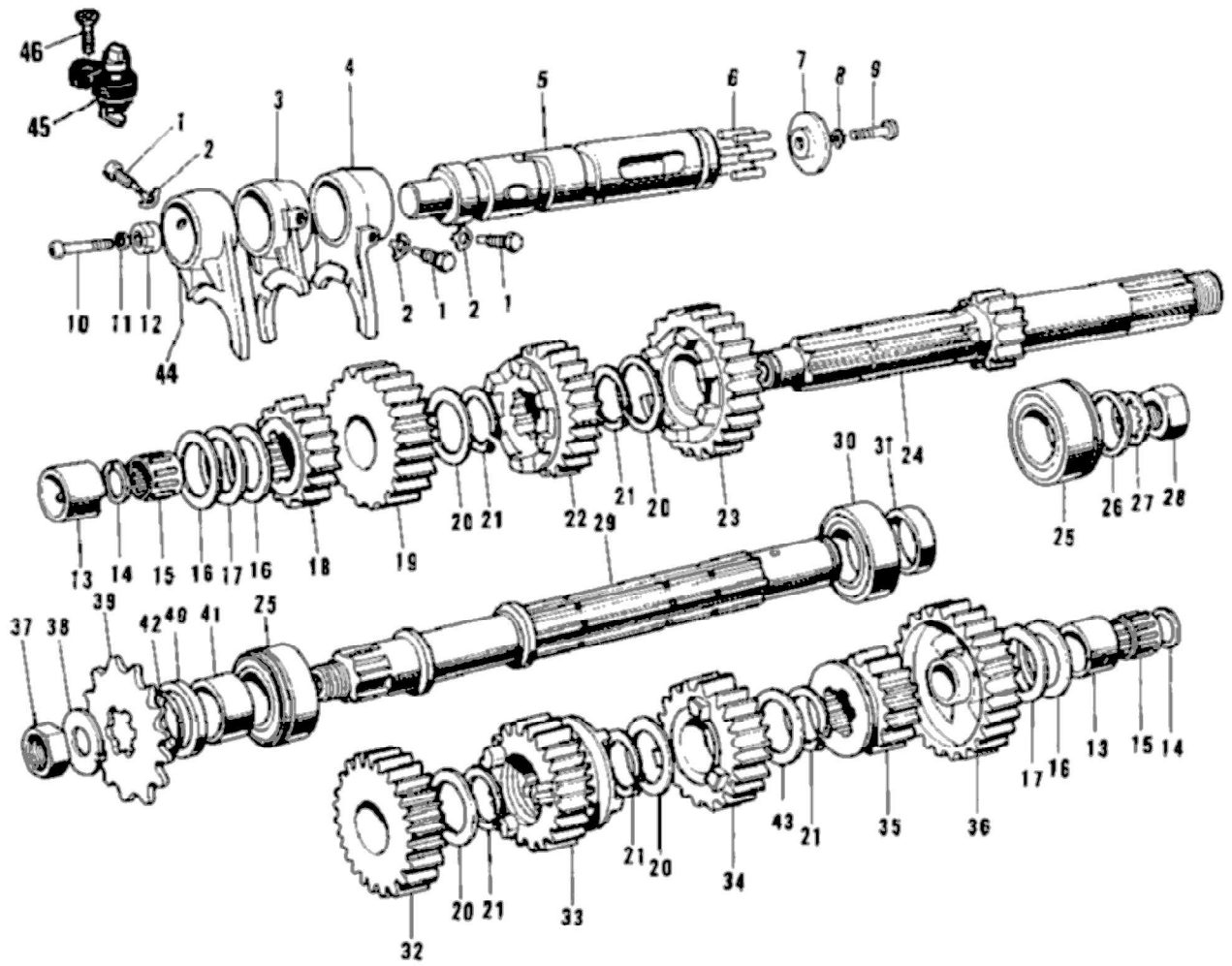
TRANSMISSION, CHANGE DRUM



TRANSMISSION, CHANGE DRUM

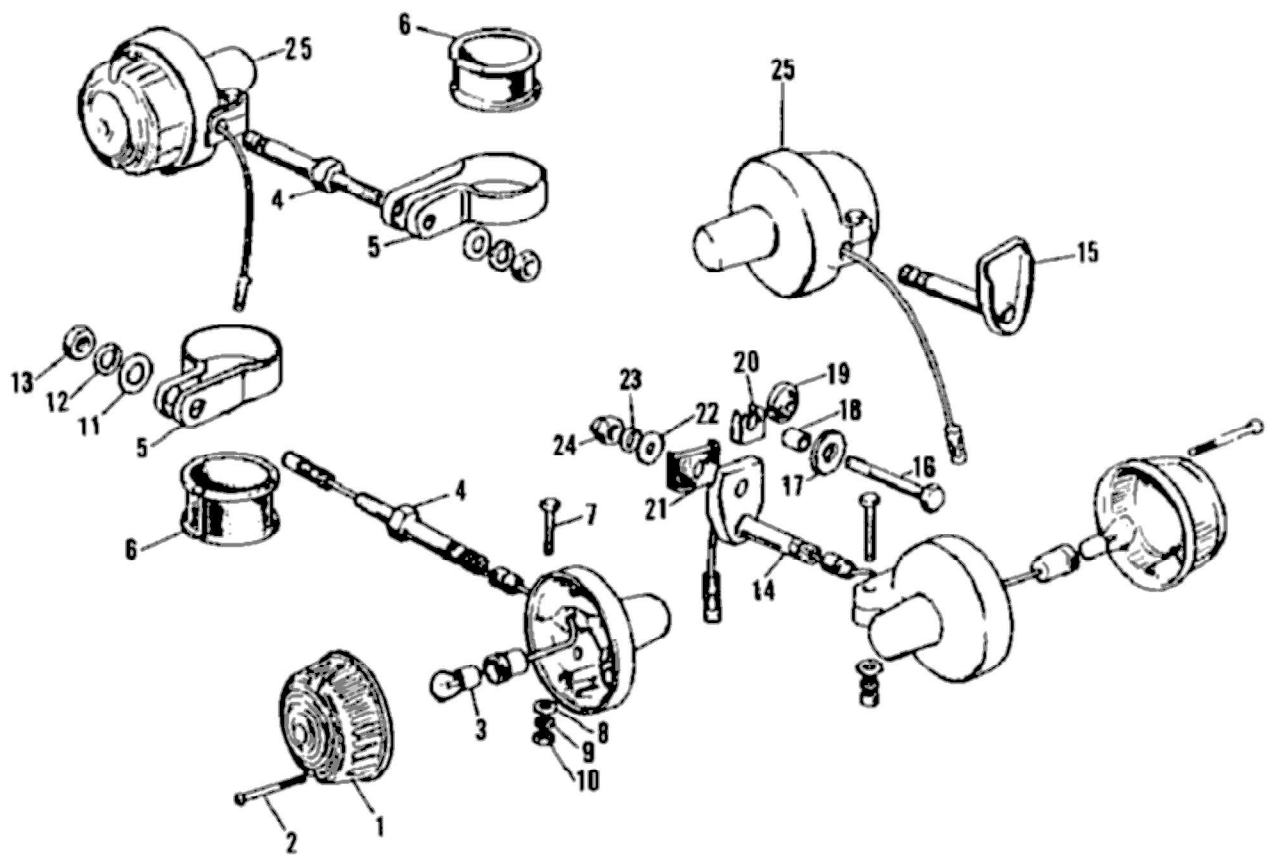
Ref No.	Part No.	Part Name	Quantity	Remarks
1	92043-016	PIN, selector fork guide	3	
2	92031-001	WASHER, lock, 10 mm	3	
3	13140-013	SELECTOR FORK, top	1	
4	13140-014	SELECTOR FORK, top	1	
5	13239-007	DRUM ASSY, gear change	1	
6	92042-014	PIN, gear change drum	6	
7	13142-004	PLATE, gear change drum	1	
8	464H0600	WASHER, lock, 6 mm	1	
9	220B0612	SCREW, pan head, 6 x 12	1	
10	220B0625	SCREW, pan head, 6 x 25	1	
11	461F0600	WASHER, spring, 6 mm	1	
12	13147-001	ROTOR, neutral indicator switch	1	
13	92028-073	BUSHING	2	
14	92033-015	CIRCLIP	2	
15	92046-010	BEARING, needle	2	KT202513
16	92022-112	WASHER, thrust t=1.0 mm	3	Steel
17	92022-113	WASHER, thrust t=1,0 mm	2	Phosphor-Bronze
18	13130-017	2ND GEAR, drive shaft	1	20T
19	13134-003	4TH GEAR, drive shaft	1	25T
20	92022-076	WASHER, 25 mm	4	
21	92033-026	CIRCLIP, 24 mm	5	
22	13132-014	3RD GEAR, drive shaft	1	23T
23	13136-041	TOP GEAR, drive shaft	1	26T
24	13127-019	SHAFT, drive	1	15T
25	92045-010	BEARING, ball, #6205NX3C3	1	
26	92022-114	WASHER, thrust	1	
27	463G2000	WASHER, lock, 20 mm	1	
28	92016-043	NUT, 20 mm	1	
29	13128-020	SHAFT, output	1	
30	601B6005	BEARING, ball, #6005	1	
31	92027-052	COLLAR	1	
32	13131-011	2ND GEAR, output shaft	1	25T
33	13135-007	4TH GEAR, output shaft	1	23T
34	13133-015	3RD GEAR, output shaft	1	25T
35	13137-010	TOP GEAR, output shaft	1	21T
36	13129-024	LOW GEAR, output shaft	1	33T
37	92015-019	NUT, 18 mm	1	
38	92024-067	WASHER, lock, 18 mm	1	
39	13144-030	ENGINE SPROCKET, 15T	1	Option
39	13144-035	ENGINE SPROCKET, 14T	1	Option
39	13144-036	ENGINE SPROCKET, 16T	1	STD
40	92050-024	OIL SEAL, SC325211	1	
41	92026-1024	SPACER, engine sprocket	1	

TRANSMISSION, CHANGE DRUM - 2



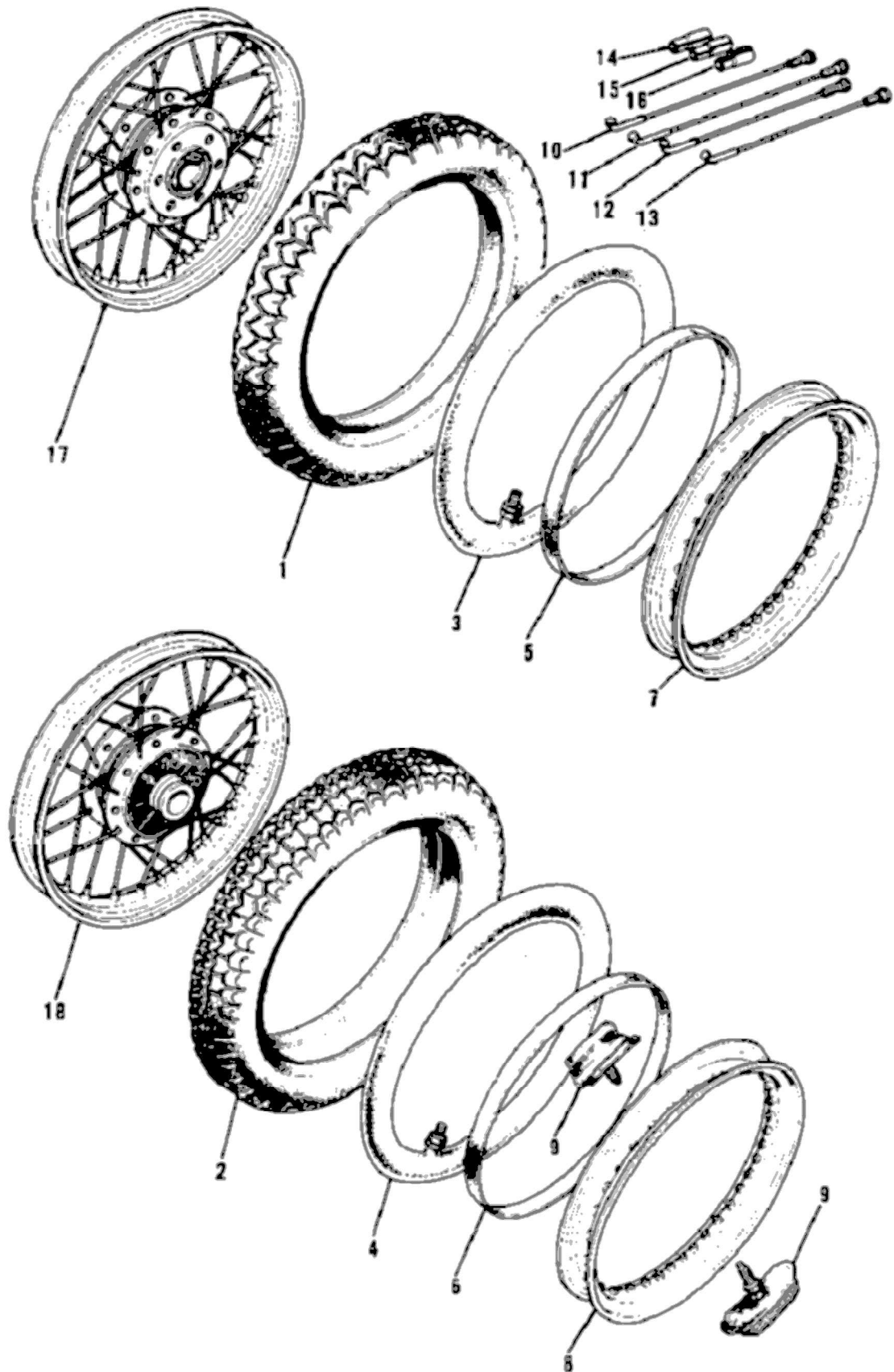
TRANSMISSION, CHANGE DRUM - 2

Ref No.	Part No.	Part Name	Quantity	Remarks
42	92055-035	"O" RING	1	
43	92024-033	WASHER, lock	1	
44	13140-064	SELECTOR FORK, 2ND & 3RD	1	
45	13151-012	SWITCH, neutral indicator	1	
46	221B0616	SCREW, countersunk head, 6 x 16	1	



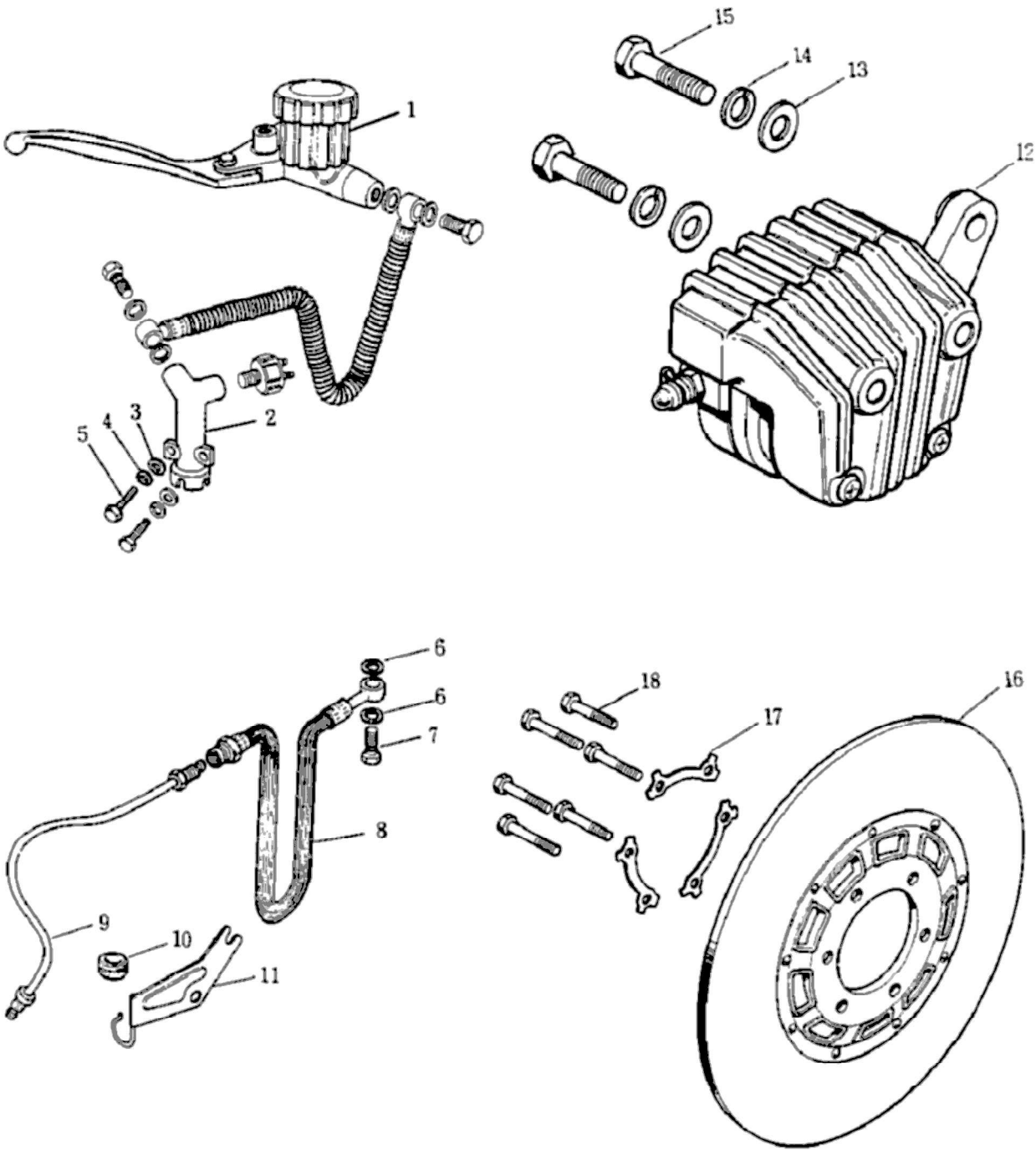
TURN SIGNALS

Ref No.	Part No.	Part Name	Quantity	Remarks
1	23048-1024	LENS, signal lamp	4	
2	220E0430	SCREW, pan head, 4 x 30	8	
3	92069-055	BULB, 12V 32CP	4	
4	23051-047	BRACKET, turn signal	2	
7	112G0630	BOLT, upset, 6 x 30	4	
8	410B0600	WASHER, plain, 6 mm	4	
9	461F0600	WASHER, spring, 6 mm	4	
10	311B0600	NUT, 6 mm	4	
12	461F1200	WASHER, spring, 12 mm	2	
13	314N1200A	NUT, 12 mm	2	
14	23051-018	BRACKET, rear signal lamp, R.H.	1	
15	23051-019	BRACKET, rear signal lamp, L.H.	1	
16	92001-1254	BOLT, hex head, 10 x 50	2	
17	92022-206	WASHER, plain	2	
18	92027-137	COLLAR	2	
19	92075-114	DAMPER RUBBER, A	2	
20	23061-003	PLATE-EARTH	2	
21	92075-082	DAMPER RUBBER B	2	
23	461F1000	WASHER, spring, 10 mm	2	
25	23040-029	LAMP, turn signal	4	



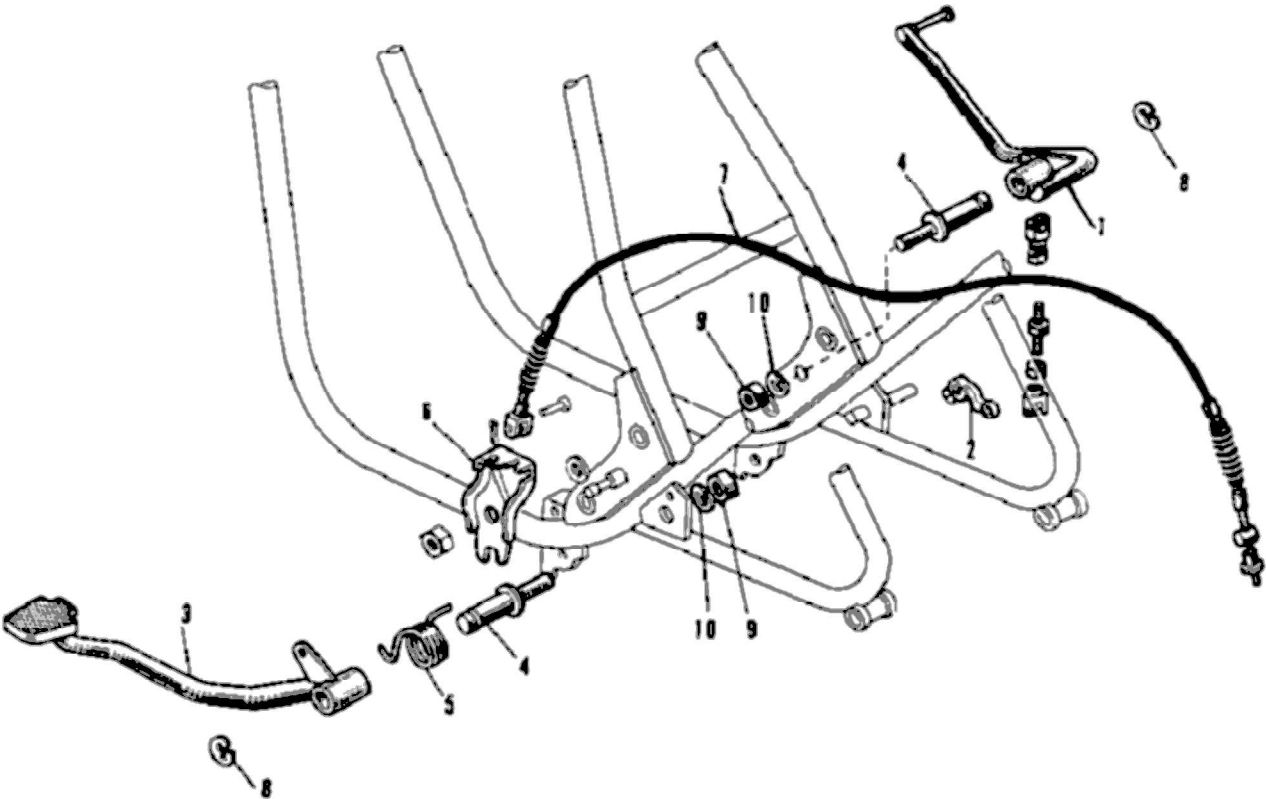
TIRES, RIMS

Ref No.	Part No.	Part Name	Quantity	Remarks
1	41020-004	UNAVAILABLE IN PRICE BOOK	1	
1	41021-038	TIRE 3,25H-19 F6B (F)	1	
2	41021-011	UNAVAILABLE IN PRICE BOOK	1	
2	41021-039	TIRE 4,00H-18 K87 ®	1	
3	41022-030	TUBE, tire, 3,25-19	1	
3	41022-1019	TUBE, 3,0/3.25/3.60-19	1	
4	41022-031	TUBE, tire, 4,00-18	1	
5	41023-015	BAND, rim	1	
6	41023-1006	BAND, rim, 4.00/5.10-18	1	
7	41025-051	RIM, 1.8B x 19W	1	
8	41025-058	RIM, 2,15B x 18W	1	
9	41024-007	PROTECTOR, bead, 1,85B	2	
10	41027-042	SPOKE ASSY, front inner	20	
11	41028-041	SPOKE ASSY, front outer	20	
12	41027-047	SPOKE ASSY, rear inner	20	147,5 mm x 100°
13	41028-046	SPOKE ASSY, rear outer	20	147 mm x 81°
14	41075-1007	WEIGHT, balance, 10 g	0	
15	41075-1008	WEIGHT, balance, 20 g	0	
16	41075-1009	WEIGHT, balance, 30 g	0	
17	41074-022	WHEEL ASSY, front	1	
18	42048-008	WHEEL ASSY, rear	1	
18	42048-021	WHEEL ASSY, rear	1	



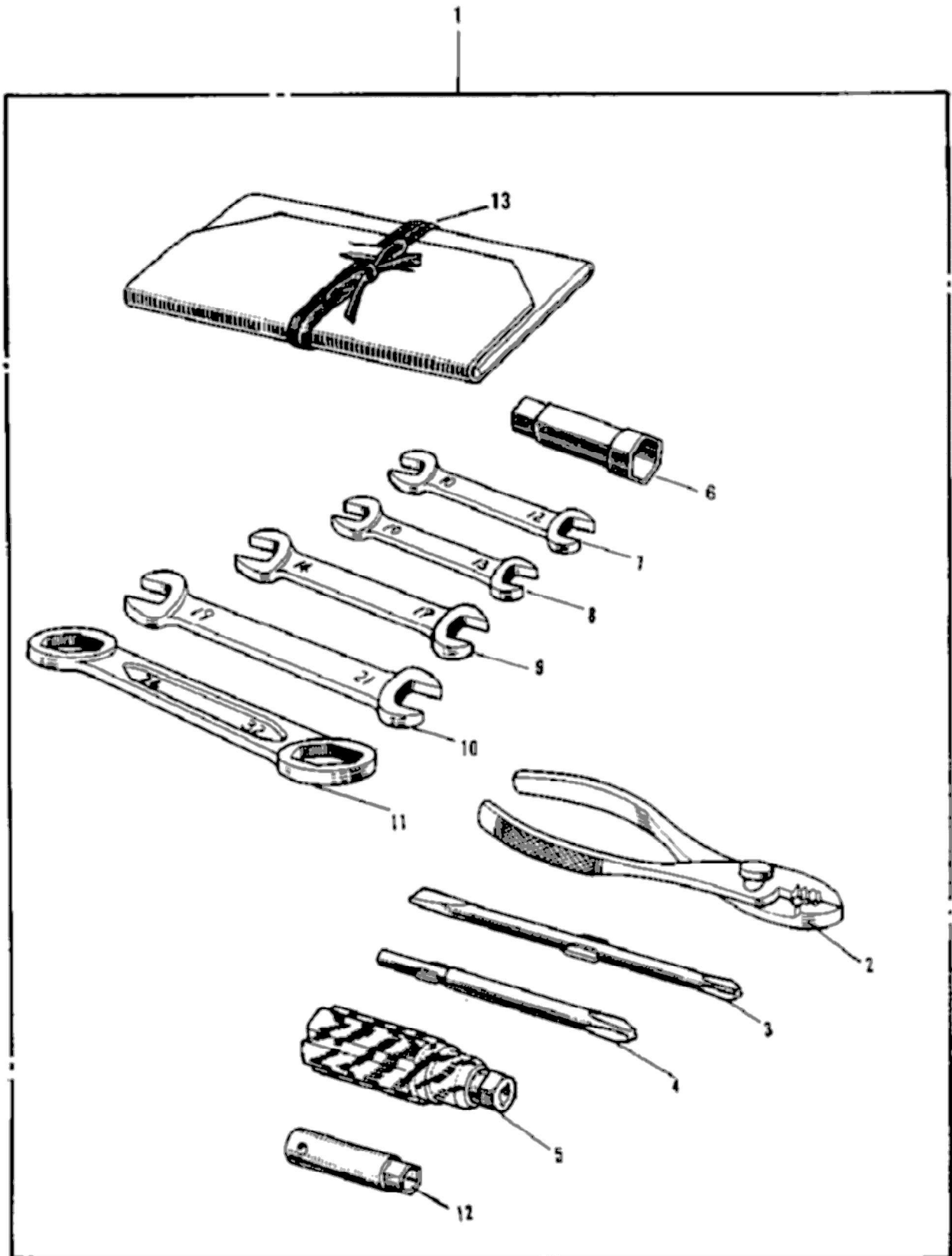
OPTIONAL PARTS A

Ref No.	Part No.	Part Name	Quantity	Remarks
1	43015-018	CYLINDER ASSY, master	1	
1	99990-516	R.H. DISC BRAKES H1/2	0	
2	43075-001	JOINT, four way	1	
3	410B0600	WASHER, plain, 6 mm	0	
4	461F0600	WASHER, spring, 6 mm	0	
5	110N0632	BOLT, hex head, 6 x 32	2	
6	43067-001	WASHER, oil bolt	0	
7	92002-1888	BOLT, oil	1	L=23 mm
8	43059-1262	HOSE, brake	1	L=350 mm
9	43060-002	PIPE, front brake, R.H.	1	
10	43064-001	DAMPER RUBBER	0	
11	43063-003	BRACKET, brake hose	1	
12	43041-002	CALIPER ASSY, R.H	1	
13	410B1000	WASHER, plain, 10 mm	0	
14	461F1000	WASHER, spring, 10 mm	0	
15	43070-001	BOLT, hex head, 10 x 43	2	
16	41080-001	DISC PLATE, front brake	1	
17	92088-014	WASHER, lock, 8 mm	3	
18	43073-005	REPAIR SET, master cylinder	0	
18	92001-104	BOLT, hex head, 8 x 28	6	



OPTIONAL PARTS B

Ref No.	Part No.	Part Name	Quantity	Remarks
1	13156-028	PEDAL, gear change, option	1	
2	13158-005	LEVER, gear change pedal, option	1	
3	43001-028	PEDAL, brake, option	1	
4	43004-006	SHAFT, brake pedal, option	2	
5	43005-012	SPRING, brake pedal	1	
6	32067-009	BRACKET, cable	1	
7	54022-012	CABLE, rear brake	1	Option
8	482K0200	CIRCLIP, 12 mm	2	
9	315B1200	NUT, hex, fine, 12 mm	2	
10	461F1200	WASHER, spring, 12 mm	2	



OWNER TOOLS

Ref No.	Part No.	Part Name	Quantity	Remarks
1	56007-017	UNAVAILABLE IN PRICE BOOK	1	
2	92112-001	92112-003 (Canada)	1	
3	92107-1052	TOOL, driver	1	
4	92107-005	SCREW DRIVER, #3 phillips	1	
5	92106-002	GRIP, screw driver	1	
6	92110-008	92110-012 (Canada)	1	
7	960B1012	UNAVAILABLE IN PRICE BOOK	1	
8	960B1013	UNAVAILABLE IN PRICE BOOK	1	
9	960B1417	UNAVAILABLE IN PRICE BOOK	1	
10	960B1921	UNAVAILABLE IN PRICE BOOK	1	
11	92109-002	WRENCH BOX, 24 x 32	1	
12	92110-007	WRENCH BOX, 10 mm	1	
13	56008-008	BAG, tool	1	

PARTS LIST SUMMARY

Ref No.	Part No.	Part Name	Total	Remarks
#-001	92055-025	"O" RING	2	
#-002	92055-035	"O" RING	1	
#-003	92055-044	"O" RING	1	
#-004	670B2020	"O" RING, 20 mm	1	
#-005	92055-018	"O" RING, 22 mm	1	
#-006	671B2530	"O" RING, 30 mm	2	
#-007	670B3036	"O" RING, 36 mm	1	
#-008	44046-015	"O" RING, fork top	2	
#-009	43053-001	"O" RING, shaft	4	
#-010	13130-017	2ND GEAR, drive shaft	1	20T
#-011	13131-011	2ND GEAR, output shaft	1	25T
#-012	13132-014	3RD GEAR, drive shaft	1	23T
#-013	13133-015	3RD GEAR, output shaft	1	25T
#-014	13134-003	4TH GEAR, drive shaft	1	25T
#-015	13135-007	4TH GEAR, output shaft	1	23T
#-016	92110-008	92110-012 (Canada)	1	
#-017	92112-001	92112-003 (Canada)	1	

A-001	16002-017	ADJUSTER, cable	6	
A-002	33040-028	ADJUSTER, chain, L.H	1	
A-003	33040-029	ADJUSTER, chain, R.H	1	
A-004	11010-058-21	AIR CLEANER ASSY, black	1	
A-005	41068-036	AXLE, front	1	
A-006	42031-038	AXLE, rear	1	

B-001	18033-051	BAFFLE TUBE	3	
B-002	56008-008	BAG, tool	1	
B-003	600A0800	BALL, steel, 1/4"	38	
B-004	600A0600	BALL, steel, 3/16"	1	
B-005	32100-013	BAND, battery	1	
B-006	43058-001	BAND, dust seal	1	
B-007	92072-032	BAND, long	3	
B-008	41023-015	BAND, rim	1	
B-009	41023-1006	BAND, rim, 4.00/5.10-18	1	
B-010	92072-013	BAND, rubber	1	
B-011	92072-018	BAND, rubber	1	
B-012	92072-030	BAND, rubber	6	L=123 mm
B-013	92072-031	BAND, rubber	2	L=149 mm
B-014	34030-001	BAR SET, rear footrest	2	INCLUDES REF. #9
B-015	34003-013	BAR, footrest, L.H.	1	
B-016	34003-015	BAR, footrest, R.H.	1	
B-017	34027-012	BAR, rear footrest	2	L=78 mm
B-018	34027-013	BAR, rear footrest	2	L=62 mm
B-019	601B6005	BEARING, ball, #6005	1	
B-020	601B6203	BEARING, ball, #6203	2	
B-021	601B6205	BEARING, ball, #6205	3	

PARTS LIST SUMMARY

Ref No.	Part No.	Part Name	Total	Remarks
B-022	92045-010	BEARING, ball, #6205NX3C3	1	
B-023	601B6205Z	BEARING, ball, #6205Z	1	
B-024	601B6303Z	BEARING, ball, #6303Z	1	
B-025	601B6305	BEARING, ball, #6305	3	
B-026	92045-020	BEARING, ball, #6305N	2	
B-027	92046-004	BEARING, needle	1	
B-028	92046-010	BEARING, needle	2	KT202513
B-029	13034-010	BEARING, needle, big end	3	
B-030	92046-1038	BEARING, needle, small end	3	
B-031	23005-018-21	BODY, head lamp, F BLK	1	'70 H1,H1-B
B-032	92001-105	BOLT	2	
B-033	92001-1182	BOLT, 10 x 45	1	
B-034	92001-062	BOLT, 3 x 10, wing	1	
B-035	92001-1405	BOLT, 8 x 38	6	
B-036	92001-1399	BOLT, 8 x 50	2	
B-037	92001-1386	BOLT, 8 x 55	1	
B-038	92001-061	BOLT, banjo	3	USE FOR 16134-004/005/006
B-039	92060-008	BOLT, banjo	3	L=17,5 mm
B-040	92060-009	BOLT, banjo	1	L=24 mm
B-041	92060-010-79	BOLT, banjo	3	Cr-Plated
B-042	92150-1450	BOLT, change drum lever	1	
B-043	92003-040	BOLT, change pedal, joint	1	
B-044	92091-024	BOLT, engine mounting, 10 x 274	3	
B-045	92001-1581	BOLT, flanged, 8 x 60	1	
B-046	92001-1583	BOLT, flanged, 8 x 70	1	
B-047	44041-040	BOLT, fork cylinder	2	
B-048	44062-003	BOLT, fork top fitting	2	
B-049	92007-020	BOLT, hex head, 5 x 20	1	
B-050	92003-034	BOLT, hex head, 10 mm	1	
B-051	92001-101	BOLT, hex head, 10 x 25	1	
B-052	92007-045	BOLT, hex head, 10 x 25	2	
B-053	92003-083	BOLT, hex head, 10 x 35	2	
B-054	43070-001	BOLT, hex head, 10 x 43	4	
B-055	92001-1254	BOLT, hex head, 10 x 50	2	
B-056	113B1236A	BOLT, hex head, 12 x 36	2	
B-057	92003-165	BOLT, hex head, 12 x 56	2	
B-058	92007-026	BOLT, hex head, 6 mm	2	
B-059	112G0618	BOLT, hex head, 6 x 18	7	
B-060	110N0625	BOLT, hex head, 6 x 25	3	
B-061	110N0632	BOLT, hex head, 6 x 32	3	
B-062	92001-104	BOLT, hex head, 8 x 28	12	
B-063	110G0650	BOLT, hex head, 8 x 50	1	
B-064	44041-038	BOLT, hex head, 8 x 55	3	
B-065	92001-1248	BOLT, hex head, 10 x 125	2	
B-066	43030-002	BOLT, lever adjust	1	
B-067	43033-001	BOLT, lever fitting	1	

PARTS LIST SUMMARY

Ref No.	Part No.	Part Name	Total	Remarks
B-068	92002-1888	BOLT, oil	4	L=23 mm
B-069	92001-060	BOLT, oil pump pinion	1	
B-070	92060-001	BOLT, oil tank, banjo	1	
B-071	92003-087	BOLT, rear sprocket fitting	6	
B-072	92001-1401	BOLT, return spring	1	
B-073	92003-079	BOLT, side stand fitting	1	
B-074	114G0812	BOLT, small	1	
B-075	115B0814	BOLT, small, upset, 8 x 14	2	
B-076	115G0816	BOLT, small, upset, 8 x 16	2	
B-077	115G0818	BOLT, small, upset, 8 x 18	1	
B-078	115G0820	BOLT, small, upset, 8 x 20	4	
B-079	115B0822	BOLT, small, upset, 8 x 22	3	
B-080	92090-020	BOLT, steering stem	1	
B-081	112N0620	BOLT, upset	1	
B-082	112G0612	BOLT, upset, 6 x 12	11	
B-083	112B0614	BOLT, upset, 6 x 14	6	
B-084	112G0616	BOLT, upset, 6 x 16	7	
B-085	112G0620	BOLT, upset, 6 x 20	1	
B-086	112G0630	BOLT, upset, 6 x 30	4	
B-087	112G0640	BOLT, upset, 6 x 40	7	
B-088	112G0660	BOLT, upset, 6 x 60	1	
B-089	49006-1041	BOOT, dust	1	
B-090	13061-013	BOSS, kickstarter pedal	1	
B-091	32099-009	BOX, battery tool	1	
B-092	35009-018	BRACE, front fender	1	
B-093	43063-001	BRACKET, brake hose	1	
B-094	43063-002	BRACKET, brake hose	1	
B-095	43063-003	BRACKET, brake hose	1	
B-096	32067-009	BRACKET, cable	1	
B-097	32051-005	BRACKET, fuel tank	1	
B-098	23036-014-21	BRACKET, license plate, black	1	
B-099	35025-009	BRACKET, rear fender	1	
B-100	35025-010	BRACKET, rear fender	1	
B-101	23051-019	BRACKET, rear signal lamp, L.H.	1	
B-102	23051-018	BRACKET, rear signal lamp, R.H.	1	
B-103	25008-014	BRACKET, speedometer	1	
B-104	32056-012	BRACKET, steering damper	1	
B-105	23051-047	BRACKET, turn signal	2	
B-106	23051-031	BRACKET, turn signal lamp	2	
B-107	32064-008	BRACKET, turn signal rely	1	
B-108	21018-001	BREAKER ASSY	1	
B-109	43085-001	BREEDER	1	
B-110	21088-009	BRUSH, carbon	1	
B-111	92069-017	BULB, 12V 1,5W	1	
B-112	92069-059	BULB, 12V 32/3 CP	1	
B-113	92069-055	BULB, 12V 32CP	4	
B-114	92069-018	BULB, 12V 3W	6	

PARTS LIST SUMMARY

Ref No.	Part No.	Part Name	Total	Remarks
B-115	92028-072	BUSHING	1	
B-116	92028-073	BUSHING	2	
B-117	92028-081	BUSHING	1	
B-118	92028-071	BUSHING, change pedal shaft	1	
B-119	92028-070	BUSHING, clutch push rod	1	
B-120	92028-074	BUSHING, oil pump gear	1	
B-121	43047-001	BUSHING, rubber	1	
B-122	45017-001	BUSHING, shock absorber rubber	4	
B-123	45017-018	BUSHING, shock absorber rubber	2	
B-124	45016-005	BUSHING, shock absorber, pivot shaft	2	
B-125	41062-001	BUSHING, speedometer cable	1	
B-126	33033-009	BUSHING, swinging arm	2	
B-127	92028-075	BUSHING, tachometer gear	1	

C-001	54011-030	CABLE, clutch	1	
C-002	54012-054	CABLE, combination	1	
C-003	54012-055	CABLE, combination	1	
C-004	54022-011	CABLE, rear brake	1	
C-005	54022-012	CABLE, rear brake	1	Option
C-006	54001-036	CABLE, speedometer	1	
C-007	54017-031	CABLE, starter	1	
C-008	54017-032	CABLE, starter	1	NOTE: INDICATES CABLES AS OPTION
C-009	54018-007	CABLE, tachometer	1	
C-010	54012-054-SP	CABLE, throttle, upper	1	
C-011	43042-001	CALIPER A	1	
C-012	43041-001	CALIPER ASSY	1	
C-013	43041-002	CALIPER ASSY, R.H	1	
C-014	43043-001	CALIPER B	1	
C-015	21106-003	CAM PLATE	1	
C-016	42026-009	CAM SHAFT, rear brake	1	
C-017	21103-005	CAM-MAGNETO	1	
C-018	16036-004	CAP carburetor	3	
C-019	11012-011	CAP, air cleaner	1	
C-020	92073-001	CAP, battery terminal rubber	1	
C-021	16036-005	CAP, cable adjuster	3	
C-022	92102-006	CAP, front drum hole	6	
C-023	51051-004	CAP, fuel tank	1	
C-024	16004-006	CAP, mixing chamber	3	
C-025	43026-003	CAP, oil cup	1	
C-026	52003-009	CAP, oil tank	1	
C-027	21130-009	CAP, spark plug	3	
C-028	16012-008	CAP, starter plunger	3	
C-029	46098-016	CAP, steering stern	1	
C-030	33035-007	CAP, swinging arm	2	
C-031	16001-165	CARBURETOR ASSY, L.H. & Center	6	
C-032	16001-166	CARBURETOR ASSY, R.H.	3	

PARTS LIST SUMMARY

Ref No.	Part No.	Part Name	Total	Remarks
C-033	46091-005	CASE ASSY, L.H.	1	
C-034	41078-001	CASE ASSY, speed gear	1	
C-035	46018-018	CASE ASSY-R.H.	1	
C-036	46077-016	CASE L.H. lower	1	
C-037	46086-014	CASE, L.H., upper	1	
C-038	46023-006	CASE, R.H. lower	1	
C-039	46041-006	CASE, R.H. upper	1	
C-040	23027-029	CASE, tail lamp	1	
C-041	92058-015	CHAIN, joint 530	1	
C-042	16008-010	CIRCLIP	3	
C-043	92033-015	CIRCLIP	2	
C-044	92036-013	CIRCLIP	1	
C-045	482J0100	CIRCLIP, 10 mm	2	
C-046	482K0200	CIRCLIP, 12 mm	3	
C-047	480J1600	CIRCLIP, 16 mm	3	
C-048	481J1800	CIRCLIP, 18 mm	1	
C-049	92033-026	CIRCLIP, 24 mm	5	
C-050	480J2600	CIRCLIP, 26 mm	1	
C-051	482K5000	CIRCLIP, 5 mm	3	
C-052	44044-008	CIRCLIP, fork piston	2	use for 44022-007
C-053	44044-019	CIRCLIP, fork piston	2	
C-054	44044-012	CIRCLIP, oil seal fitting	2	
C-055	92036-004	CIRCLIP, piston pin	6	
C-056	92033-024	CIRCLIP, steering lock	1	
C-057	92037-034	CLAMP, air cleaner	3	
C-058	92037-128	CLAMP, air cleaner	1	
C-059	92037-020	CLAMP, cable	1	
C-060	92037-069	CLAMP, cable	3	
C-061	16051-002	CLAMP, carburetor mounting	3	
C-062	21126-005	CLAMP, ignition coil	1	
C-063	21126-006	CLAMP, ignition coil	1	
C-064	92037-040	CLAMP, oil lever pipe	2	
C-065	92037-010	CLAMP, pipe	8	
C-066	13081-071	CLUTCHASSY	2	
C-067	51023-040	COCK ASSY, fuel	1	
C-068	21121-055	COIL-IGNITION, CENTER	1	
C-069	21121-054	COIL-IGNITION, L.H. & R.H.	1	
C-070	92027-052	COLLAR	1	
C-071	92027-091	COLLAR	1	
C-072	92027-137	COLLAR	2	
C-073	92027-140	COLLAR	4	
C-074	92027-149	COLLAR	2	
C-075	41069-018	COLLAR, front axle	1	
C-076	41039-019	COLLAR, front drum	1	
C-077	92027-1134	COLLAR, fuel tank fitting	1	
C-078	92027-121	COLLAR, gear change lever boss	1	
C-079	46059-011	COLLAR, lever	1	use for 92007-020

PARTS LIST SUMMARY

Ref No.	Part No.	Part Name	Total	Remarks
C-080	92027-031	COLLAR, R.H. crankshaft	1	
C-081	42032-017	COLLAR, rear axle	1	
C-082	42037-017	COLLAR, sleeve	1	
C-083	21013-015	CONDENSER	3	
C-084	92061-003	CONNECTOR, banjo	1	
C-085	92061-015	CONNECTOR, banjo	1	
C-086	13044-034	CONNECTING ROD SET	3	
C-087	13159-007	CONNECTOR A (Clockwise thread)	1	
C-088	13159-008	CONNECTOR B	1	"A"-Mark
C-089	18043-010	CONNECTOR MUFFLER	3	
C-090	46079-004	CONTACT-L.H. switch	3	
C-091	21133-021	CORD, high tension, center	1	L=106 MM
C-092	21133-023	CORD, high tension, L.H.	1	L=215 MM
C-093	21133-025	CORD, high tension, R.H.	1	L=215 MM
C-094	42008-005	COUPLING ASSY, rear hub	1	INCLUDES REF. #S 22-26
C-095	14031-030	COVER L.H ENGINE	1	
C-096	41042-009	COVER, brake drum dust	1	
C-097	36014-042	COVER, chain	1	
C-098	14026-024-80	COVER, chain case	1	
C-099	44033-043-21	COVER, L.H. fork, black	1	
C-100	36001-034-67	COVER, L.H. SIDE, P.C.O.	1	
C-101	14030-036-80	COVER, oil pump	1	Buff Finish
C-102	14032-1024-80	COVER, R.H. engine	1	
C-103	14032-071-36	COVER, R.H. engine, silver	1	
C-104	44034-042-21	COVER, R.H. fork, black	1	
C-105	13031-049	CRANK & CONROD ASSY	1	
C-106	13035-017	CRANK PIN	3	
C-107	14001-030	CRANKCASE SET	1	
C-108	43019-001	CUP, primary	1	
C-109	92048-006	CUP, steering ball	2	
C-110	11005-050	CYLINDER	1	
C-111	11005-051	CYLINDER	1	
C-112	11005-052	CYLINDER	1	
C-113	43015-018	CYLINDER ASSY, master	1	
C-114	43015-032	CYLINDER ASSY, master	1	
C-115	11001-065	CYLINDER HEAD, CENTER	1	
C-116	11001-099-2H	CYLINDER HEAD, CENTER	1	Barrel
C-117	11001-064-80	CYLINDER HEAD, L.H. & R.H.	2	
C-118	11001-098-2H	CYLINDER HEAD, L.H. & R.H.	2	Barrel
C-119	44022-007	CYLINDER, fork	2	
C-120	44023-006	CYLINDER, fork	2	includes ref. #S 24 & 25

D-001	43064-001	DAMPER RUBBER	1	
D-002	92075-058	DAMPER RUBBER	2	
D-003	92075-077	DAMPER RUBBER	1	
D-004	92075-080	DAMPER RUBBER	4	
D-005	92075-118	DAMPER RUBBER	2	

PARTS LIST SUMMARY

Ref No.	Part No.	Part Name	Total	Remarks
D-006	92075-082	DAMPER RUBBER B	2	
D-007	92075-114	DAMPER RUBBER, A	2	
D-008	92075-091	DAMPER RUBBER, bracket	2	
D-009	43064-006	DAMPER RUBBER, cylinder hose	1	
D-010	92075-023	DAMPER RUBBER, dual seat	6	
D-011	92075-039	DAMPER RUBBER, handlebar	4	
D-012	92075-046	DAMPER RUBBER, main stand	1	
D-013	92075-090	DAMPER RUBBER, meter bracket	3	
D-014	92075-089	DAMPER RUBBER, meter fitting	4	
D-015	92094-009	DAMPER RUBBER, reflector	2	
D-016	92075-013	DAMPER RUBBER, tank, front	2	
D-017	92075-019	DAMPER RUBBER, tank, front	4	
D-018	92075-030	DAMPER RUBBER, tank, rear	1	
D-019	42014-014	DAMPER, rear hub shock	1	
D-020	43028-001	DIAPHRAGM	1	
D-021	51069-001	DIAPHRAGM, fuel cock	1	
D-022	41080-001	DISC PLATE, front brake	2	
D-023	92057-010	DRIVE CHAIN, 530 x 102L	1	530 x 102L
D-024	41034-021-21	DRUM ASSY, front brake, black	1	
D-025	13239-007	DRUM ASSY, gear change	1	
D-026	42005-015-80	DRUM ASSY, rear brake	1	Buff Finish
D-027	42006-013-21	DRUM ASSY, rear brake	1	
D-028	43024-001	DUST COVER	1	
D-029	43054-001	DUST SEAL, piston	1	
D-030	43052-001	DUST SEAL, shaft	4	
D-031	41051-001	DUST SHIELD, brake cam	1	
D-032	44010-021	DUST SHIELD, fork	2	

E-001	11013-019	ELEMENT, air cleaner	1	
E-002	56018-099	EMBLEM, oil tank	1	
E-003	56018-098	EMBLEM, side cover	1	
E-004	13144-035	ENGINE SPROCKET, 14T	1	Option
E-005	13144-030	ENGINE SPROCKET, 15T	1	Option
E-006	13144-036	ENGINE SPROCKET, 16T	1	STD

F-001	35004-060-67	FENDER, front, P.C.ORANGE	1	
F-002	35022-060-67	FENDER, rear, P.C.ORANGE	1	
F-003	16031-023	FLOAT	3	
F-004	16030-005	FLOAT VALVE ASSY	3	
F-005	32002-049	FRAME	1	
F-006	44001-087	FRONT FORK ASSY	1	
F-007	26004-010	FUSE ASSY	1	
F-008	26004-015	FUSE ASSY	1	
F-009	26006-002	FUSE, 20A	1	

G-001	16062-011	GASKET, air inlet	6	
-------	-----------	-------------------	---	--

PARTS LIST SUMMARY

Ref No.	Part No.	Part Name	Total	Remarks
G-002	92065-023	GASKET, check valve	6	I.D.=8,5 mm
G-003	92065-058	GASKET, check valve	4	I.D.=10,5 mm
G-004	11009-019	GASKET, cylinder base	3	
G-005	11004-048	GASKET, cylinder head	3	
G-006	44045-002	GASKET, drain plug	2	
G-007	18067-008	GASKET, exhaust pipe	3	
G-008	16019-008	GASKET, float chamber	3	
G-009	44045-035	GASKET, fork cover	2	
G-010	44045-057	GASKET, fork cylinder bolt	2	
G-011	51037-007	GASKET, fuel cock cup	1	
G-012	92065-055	GASKET, fuel cock lever	1	
G-013	92065-054	GASKET, fuel cook joint	1	
G-014	51059-008	GASKET, fuel tank cap	1	
G-015	11017-008	GASKET, inlet	1	
G-016	14045-022	GASKET, L.H. engine cover	1	
G-017	11060-1160	GASKET, oil pump	1	
G-018	92022-077	GASKET, oil pump banjo	5	
G-019	14046-014	GASKET, R.H. engine cover	1	
G-020	92065-052	GASKET, rubber, 7 mm	1	
G-021	23028-015	GASKET, tail lamp case	1	
G-022	23028-016	GASKET, tail lamp lens	1	
G-023	11009-1146	GASKET, 10,2 x 15 x 1,5T	2	
G-024	52005-004	GAUGE, oil level	1	
G-025	13068-015	GEAR, kickstarter	1	
G-026	16085-011	GEAR, oil pump	1	
G-027	13121-013	GEAR, primary	1	
G-028	41059-016	GEAR, speedometer	1	
G-029	13224-005	GEAR, tachometer	1	35T
G-030	46019-017	GRIP ASSY, throttle	1	
G-031	32109-009	GRIP, frame	1	
G-032	92106-002	GRIP, screw driver	1	
G-033	13092-005	GUIDE, clutch spring	5	
G-034	44064-002	GUIDE, fork cover	2	
G-035	44029-019	GUIDE, fork spring	2	
G-036	43062-001	GUIDE, hose	1	
G-037	13070-001	GUIDE, kickstarter spring	1	

H-001	46003-017	HANDLEBAR	1	
H-002	44039-040	HEAD, steering stern	1	
H-003	53009-012-10	HINGE, front, black	1	
H-004	53009-013-10	HINGE, rear, black	1	
H-005	18044-006	HOLDER MUFFLER CONECT	3	
H-006	18044-007	HOLDER MUFFLER CONECT	3	
H-007	43044-001	HOLDER, caliper	1	
H-008	46094-011-21	HOLDER, clutch lever, black	1	
H-009	13091-009	HOLDER, clutch spring	5	
H-010	18069-024	HOLDER, exhaust pipe	3	

PARTS LIST SUMMARY

Ref No.	Part No.	Part Name	Total	Remarks
H-011	44063-003	HOLDER, front axle	2	
H-012	13077-002	HOLDER, kickstarter gear	1	
H-013	46085-016	HOLDER, L.H. switch lower, A	1	
H-014	46085-017	HOLDER, L.H. switch lower, B	1	
H-015	46085-018	HOLDER, L.H. switch upper, A	1	
H-016	46085-019	HOLDER, L.H. switch upper, B	1	
H-017	46012-010	HOLDER, lower handlebar	2	
H-018	43034-001	HOLDER, master cylinder	1	
H-019	16068-004	HOLDER, oil pipe	1	
H-020	46012-008	HOLDER, upper handlebar	2	
H-021	51063-001	HOOK	1	
H-022	53008-006	HOOK	1	
H-023	27003-042	HORN	1	
H-024	27003-066	HORN	0	
H-025	43059-1262	HOSE, brake	2	L=350 mm
H-026	43059-001	HOSE, front brake	1	
H-027	13095-018	HOUSING, clutch	1	
H-028	13087-030	HUB, clutch	1	

I-001	16060-009	INLET PIPE	3	
I-002	13102-017	INNER, clutch release	1	
I-003	42022-002	INNLET, ventilator	1	
I-004	16061-010	INSULATOR, heat	3	

J-001	16009-049	JET NEEDLE, 5DJ19	3	
J-002	92064-022	JET-PILOT, #30	3	
J-003	13159-005	JOINT	1	use with 13156-026
J-004	13159-006	JOINT	1	use with 13158-004
J-005	43075-001	JOINT, four way	1	
J-006	43061-001	JOINT-THREE WAY	1	

K-001	27008-042-85	KEY SET, #685	0	
K-002	27008-042-89	KEY SET, #689	0	
K-003	27008-042-01	KEY SET, #701	0	
K-004	27008-042-05	KEY SET, #705	0	
K-005	46044-011	KNOB, L.H. switch	1	
K-006	46044-008	KNOB, L.H. switch, B	1	
K-007	92077-016	KNOB, L.H., side cover	1	
K-008	46101-006	KNOB, steering damper	1	
K-009	46044-007	KNOB, switch	1	

L-001	23016-002	LAMP ASSY, high beam	1	
L-002	23025-044	LAMP ASSY, tail	1	INCLUDES REF. #S 1-6
L-003	23003-011	LAMP UNIT, head	1	
L-004	23040-029	LAMP, turn signal	4	
L-005	23048-1024	LENS, signal lamp	4	

PARTS LIST SUMMARY

Ref No.	Part No.	Part Name	Total	Remarks
L-006	23026-022	LENS, tail lamp	1	
L-007	13162-008	LEVER ANY, gear change	1	
L-008	46076-022	LEVER ASSY, clutch	1	
L-009	13161-035	LEVER ASSY, gear change	1	
L-010	46092-015	LEVER, clutch	1	
L-011	13168-012	LEVER, gear change drum	1	
L-012	13158-004	LEVER, gear change pedal	1	
L-013	13158-011	LEVER, gear change pedal	1	
L-014	13158-005	LEVER, gear change pedal, option	1	
L-015	16096-003	LEVER, oil pump cable	1	
L-016	42029-037	LEVER, rear brake cam	1	
L-017	46096-007	LEVER, starter	1	
L-018	27016-024	LOCK ASSY, steering	1	
L-019	13129-024	LOW GEAR, output shaft	1	33T

M-001	92063-094	MAIN JET, #87.5R	3	Option
M-002	92063-068	MAIN JET, #92.5R	3	STD
M-003	92063-1028	MAIN JET, #A102,5	3	
M-004	92063-1042	MAIN JET, #A105R	3	
M-005	92063-1029	MAIN JET, #A90R	3	
M-006	92063-1031	MAIN JET, #A95	3	
M-007	92063-1035	MAIN JET, #A97.5R	3	
M-008	32103-012	MAT, battery	1	
M-009	18001-064	MUFFLER ASSY, center	1	
M-010	18001-063	MUFFLER ASSY, L.H.	1	
M-011	18001-065	MUFFLER ASSY, R.H.	1	

N-001	16017-058	NEEDLE JET, O-4	3	E/NO. 61606
N-002	16017-062	NEEDLE JET, O-4/8	3	
N-003	23020-016	NUT	1	
N-004	314B1000	NUT, 10 mm	15	
N-005	317B1000	NUT, 10 mm	12	
N-006	42045-005	NUT, 10 mm	6	
N-007	314N1200A	NUT, 12 mm	2	
N-008	315N1200A	NUT, 12 mm	1	
N-009	92015-019	NUT, 18 mm	2	
N-010	92016-043	NUT, 20 mm	1	
N-011	311B0300	NUT, 3 mm	1	
N-012	311B0500	NUT, 5 mm	4	
N-013	312B0500	NUT, 5 mm	1	use for 92007-020
N-014	311B0600	NUT, 6 mm	45	
N-015	312B0600	NUT, 6 mm	3	
N-016	312N0600	NUT, 6 mm	1	
N-017	92015-009	NUT, 6 mm	4	
N-018	92019-008	NUT, 6 mm	4	
N-019	311B0800	NUT, 8 mm	16	

PARTS LIST SUMMARY

Ref No.	Part No.	Part Name	Total	Remarks
N-020	311N0800	NUT, 8 mm	3	
N-021	312B0800	NUT, 8 mm	3	
N-022	314N0800	NUT, 8 mm	1	
N-023	318B0800	NUT, 8 mm	1	
N-024	318N0800	NUT, 8 mm	0	
N-025	92015-020	NUT, 8 mm	12	
N-026	92017-004	NUT, 8 mm	1	
N-027	92017-010	NUT, 8 mm (Counterclockwise thread)	0	
N-028	92015-041	NUT, brake cable adjust	1	
N-029	16003-004	NUT, cable adjust lock	6	
N-030	46056-005	NUT, cable adjust lock	1	
N-031	321B1000	NUT, castle 10 mm	1	
N-032	42045-014	NUT, castle, 16 mm	1	
N-033	51035-005	NUT, fuel cock joint	1	
N-034	92020-007	NUT, fuel tank, front	2	
N-035	315B1200	NUT, hex, fine, 12 mm	2	
N-036	23020-009	NUT, lens unit fitting	2	
N-037	92019-012	NUT, lock, 16 mm	1	
N-038	92015-1124	NUT, lock, 8 mm	1	
N-039	92020-003	NUT, shock absorber fitting	2	
N-040	42045-006	NUT, sleeve	1	
N-041	46125-005	NUT, steering damper, guide	1	
N-042	92090-007	NUT, steering stern lock	1	

O-001	46117-006	OIL DAMPER, steering	1	
O-002	16082-040	OIL PUMP ASSY	1	
O-003	13045-010	OIL RECEIVER, crankshaft	3	
O-004	92050-027	OIL SEAL, #39627	1	
O-005	92049-1294	OIL SEAL, camshaft, "X"	1	
O-006	92052-003	OIL SEAL, coupling	1	
O-007	92049-1216	OIL SEAL, fork outer p	2	
O-008	16091-001	OIL SEAL, oil pump shaft	1	
O-009	92049-004	OIL SEAL, SB12205	2	
O-010	92049-002	OIL SEAL, SB16244	1	
O-011	92050-024	OIL SEAL, SC325211	1	
O-012	92050-025	OIL SEAL, SC7317	1	
O-013	92050-051	OIL SEAL, TC255210	1	
O-014	92054-004	OIL SEAL, TC7144	1	
O-015	92050-052	OIL SEAL, TCY326210	1	
O-016	92050-046	OIL SEAL, VC54656	1	
O-017	92054-017	OIL SEAL, Y325222.5	1	Y325222.5
O-018	92054-018	OIL SEAL, Y326219	1	Y326219
O-019	16090-003	O-RING, oil pump lower cap	1	
O-020	16090-002	O-RING, oil pump shaft	3	
O-021	16088-002	O-RING, oil pump upper cap	1	
O-022	13118-008	OUTER, clutch release	1	
O-023	42023-002	OUTLET, ventilator	1	

PARTS LIST SUMMARY

Ref No.	Part No.	Part Name	Total	Remarks
P-001	43082-001	PAD A	1	
P-002	43051-001	PAD B	1	
P-003	43001-027	PEDAL, brake	1	
P-004	43001-028	PEDAL, brake, option	1	
P-005	13156-026	PEDAL, gear change	1	selective use
P-006	13242-011	PEDAL, gear change	2	
P-007	13156-028	PEDAL, gear change, option	1	
P-008	13064-016	PEDAL, kickstarter	2	
P-009	92043-069	PIN	2	
P-010	23022-001	PIN LENS UNIT FITTING	2	
P-011	43009-001	PIN REAR TORQUE LINK	1	
P-012	92043-053	PIN, brake rod	1	
P-013	550D1210	PIN, cotter, 1,2 x 10	3	
P-014	550D1615	PIN, cotter, 1,6 x1 5	1	
P-015	550D2015	PIN, cotter, 2,0 x 15	4	
P-016	550D2520	PIN, cotter, 2,5 x 20	1	
P-017	550D2525	PIN, cotter, 2,5 x 25	2	
P-018	550D3025	PIN, cotter, 3,0 x 25	1	
P-019	550D4030	PIN, cotter, 4,0 x 30	1	
P-020	92042-035	PIN, dowel	1	
P-021	610A0512	PIN, dowel 5 x 12	2	
P-022	92042-016	PIN, dowel, 6 mm	4	
P-023	92043-1037	PIN, dowel, 10 x 8.2 x 14	4	
P-024	53011-001	PIN, dual seat pivot	3	
P-025	16032-003	PIN, float	3	
P-026	92042-014	PIN, gear change drum	6	
P-027	92043-072	PIN, hook	1	
P-028	92043-024	PIN, joint	2	
P-029	92043-041	PIN, joint	2	
P-030	92043-075	PIN, kickstarter	1	
P-031	13002-010	PIN, piston	3	
P-032	92043-034	PIN, rear brake cable joint	1	
P-033	92043-016	PIN, selector fork guide	3	
P-034	554A0800	PIN, snap	6	
P-035	92043-074	PIN, tank cap fitting	1	
P-036	92043-073	PIN, tank cap stopper	1	
P-037	16084-010	PINION, oil pump	1	
P-038	41060-012	PINION, speedometer	1	
P-039	16134-008	PIPE ASSY, oil, Center	1	
P-040	16138-002	PIPE ASSY, oil, Center	1	no longer available
P-041	16134-007	PIPE ASSY, oil, L.H.	1	
P-042	16138-001	PIPE ASSY, oil, L.H.	1	no longer available
P-043	16134-009	PIPE ASSY, oil, R.H.	1	
P-044	16138-003	PIPE ASSY, oil, R.H.	1	no longer available
P-045	18049-050	PIPE EXHAUST	3	
P-046	11015-033	PIPE, air inlet	1	
P-047	43060-001	PIPE, front brake	1	

PARTS LIST SUMMARY

Ref No.	Part No.	Part Name	Total	Remarks
P-048	43060-002	PIPE, front brake, R.H.	1	
P-049	92059-008	PIPE, fuel	1	
P-050	51047-001	PIPE, fuel tank connect	3	
P-051	92059-021	PIPE, oil tank	1	
P-052	43072-001	PISTON ASSY	1	
P-053	13029-031	PISTON, 0,020" O.S.	3	Option
P-054	13027-031	PISTON, 0,040" O.S.	3	Option
P-055	43048-001	PISTON, caliper	1	
P-056	44018-003	PISTON, fork	2	use for 44022-007
P-057	44018-009	PISTON, fork	2	
P-058	13001-031	PISTON, STD	3	
P-059	21156-007	PLATE, CENTER BREAKER	1	
P-060	13170-004	PLATE, change drum lever	1	
P-061	13088-015	PLATE, clutch friction	7	
P-062	13088-1008	PLATE, clutch friction	7	
P-063	13090-011	PLATE, clutch outer	1	not requested 13087-03
P-064	13187-005	PLATE, clutch spring	1	
P-065	13089-013	PLATE, clutch steel	14	
P-066	43027-001	PLATE, diaphragm	1	
P-067	32030-016	PLATE, engine mounting	2	
P-068	13142-004	PLATE, gear change drum	1	
P-069	13169-005	PLATE, gear change drum positioning	1	
P-070	13071-003	PLATE, kickstarter spring holder	1	
P-071	21156-006	PLATE, R.H. BREAKER	1	
P-072	46105-005	PLATE, steering damper, anchor	1	
P-073	46104-005	PLATE, steering damper, friction	1	
P-074	46106-005	PLATE, steering damper, steel	1	
P-075	46106-006	PLATE, steering damper, steel	1	
P-076	21155-006	PLATE, yoke	1	
P-077	23061-003	PLATE-EARTH	2	
P-078	46080-003	PLATE-L.H. switch contact, A	1	
P-079	46080-004	PLATE-L.H. switch contact, B	1	
P-080	92067-001	PLUG, oil drain	1	
P-081	16115-017	PLUG, oil filler	1	
P-082	92074-005	PLUG, rubber	1	
P-083	16016-002	PLUNGER, starter	3	
P-084	21082-007	POINT CONTACT BREAKER	3	
P-085	41024-007	PROTECTOR, bead, 1,85B	2	
P-086	31082-005	PROTECTOR, side cover	2	
P-087	13116-009	PUSH ROD, clutch long	1	L=167,5 mm
P-088	13116-010	PUSH ROD, clutch short	1	L=49 mm
P-089	13116-011	PUSHER, clutch spring plate	1	
R-001	99990-516	R.H. DISC BRAKES H1/2	0	
R-002	92047-006	RACE INNER, steering hall	2	
R-003	42041-047	REAR SPROCKET, 43T	1	Option
R-004	42041-046	REAR SPROCKET, 45T	1	STD

PARTS LIST SUMMARY

Ref No.	Part No.	Part Name	Total	Remarks
R-005	42041-077	REAR SPROCKET, 47T	1	Option
R-006	56003-009	REAR VIEW MIRROR, L.H.	1	
R-007	56002-020	REAR VIEW MIRROR, R.H.	1	
R-008	14015-001	RECEIVER, oil	1	
R-009	41064-007	RECEIVER, speedometer gear	1	
R-010	21061-008	RECTIFIER	1	
R-011	28012-006	REFLECTOR, reflex, front	2	
R-012	21072-004	REGULATOR VOLTAGE	1	
R-013	27002-011	RELAY, turn signal	0	
R-014	27002-012	RELAY, turn signal	1	
R-015	13231-010	RELEASE ASSY, clutch	1	
R-016	43073-002	REPAIR SET, caliper	1	
R-017	43073-001	REPAIR SET, master cylinder	1	
R-018	43073-005	REPAIR SET, master cylinder	0	
R-019	41025-051	RIM, 1.8B x 19W	1	
R-020	41025-058	RIM, 2,15B x 18W	1	
R-021	23006-017	RIM, head lamp	1	
R-022	13025-044	RING SET, piston, 0,020" O.S.	3	Option
R-023	13024-048	RING SET, piston, 0,040" O.S.	3	Option
R-024	13008-041	RING SET, piston, STD	3	
R-025	13229-003	RING, clutch steel	7	
R-026	43071-001	RING, pad B	1	
R-027	43049-001	RING, piston	1	
R-028	14013-004	RING, positioning	2	
R-029	14013-1004	RING, positioning	1	
R-030	92033-1040	RING, snap, 43.5 mm	1	
R-031	16024-005	ROD, throttle stop	3	
R-032	21007-016	ROTOR	1	
R-033	13147-001	ROTOR, neutral indicator switch	1	
R-034	13080-004	RUBBER CAP	1	
R-035	92076-015	RUBBER, footrest	2	
R-036	13157-004	RUBBER, gear change pedal	1	
R-037	13063-004	RUBBER, kickstarter pedal	1	
R-038	46075-017	RUBBER, L.H. grip	1	
R-039	46061-012	RUBBER, R.H. grip	1	
R-040	92076-008	RUBBER, rear footrest	2	USE FOR 34027-0
R-041	92076-009	RUBBER, rear footrest	2	USE FOR 34027-0
R-042	92094-001	RUBBER, side cover knob	1	
R-043	92075-031	RUBBER, side stand damper	1	

S-001	92107-005	SCREW DRIVER, #3 phillips	1	
S-002	21085-004	SCREW PAN HEAD 4X8	10	
S-003	46055-006	SCREW, cable adjust	1	
S-004	221B0308A	SCREW, countersunk head, 3 x 8	2	
S-005	222E0510	SCREW, countersunk head, 5 x 10	2	
S-006	92012-001	SCREW, countersunk head, 5 x 10	12	
S-007	222E0512A	SCREW, countersunk head, 5 x 12	3	

PARTS LIST SUMMARY

Ref No.	Part No.	Part Name	Total	Remarks
S-008	212B0616	SCREW, countersunk head, 6 x 16	1	
S-009	221B0616	SCREW, countersunk head, 6 x 16	4	
S-010	16033-009	SCREW, float chamber fitting	12	
S-011	23019-021	SCREW, focus adjust	1	
S-012	23019-018	SCREW, lens unit fitting	2	
S-013	220B0305A	SCREW, pan head, 3 x 5	5	
S-014	220B0306	SCREW, pan head, 3 x 6	1	
S-015	220E0430	SCREW, pan head, 4 x 30	8	
S-016	220R0455	SCREW, pan head, 4 x 55	4	
S-017	220B0406	SCREW, pan head, 4 x 6	4	
S-018	220E0406A	SCREW, pan head, 4 x 6	8	
S-019	220B0408	SCREW, pan head, 4 x 8	12	
S-020	220B0514	SCREW, pan head, 5 x 14	1	
S-021	220B0522	SCREW, pan head, 5 x 22	4	
S-022	220B0528	SCREW, pan head, 5 x 28	1	
S-023	220B0555A	SCREW, pan head, 5 x 55	3	
S-024	220B0610	SCREW, pan head, 6 x 10	1	
S-025	220B06100	SCREW, pan head, 6 x 100	2	
S-026	220B06110	SCREW, pan head, 6 x 110	1	
S-027	220B0612	SCREW, pan head, 6 x 12	4	
S-028	220E0612	SCREW, pan head, 6 x 12	1	
S-029	220E0614	SCREW, pan head, 6 x 14	4	
S-030	220B0616	SCREW, pan head, 6 x 16	2	
S-031	220B0620	SCREW, pan head, 6 x 20	2	
S-032	220B0625	SCREW, pan head, 6 x 25	11	
S-033	220B0630	SCREW, pan head, 6 x 30	7	
S-034	220B0635	SCREW, pan head, 6 x 35	3	
S-035	220B0640	SCREW, pan head, 6 x 40	1	
S-036	220B0645	SCREW, pan head, 6 x 45	2	
S-037	220E0650	SCREW, pan head, 6 x 50	1	
S-038	220B0655	SCREW, pan head, 6 x 55	3	
S-039	220B0685	SCREW, pan head, 6 x 85	1	
S-040	16014-006	SCREW, pilot air adjust	3	
S-041	92099-001	SCREW, rivet	1	
S-042	291Z0622	SCREW, slotted, 6 x 22	1	
S-043	16021-002	SCREW, throttle stop	3	
S-044	23007-025	SEALED BEAM UNIT	1	'70 H1, H1-A/B
S-045	53001-072	SEAT ASSY, dual	1	
S-046	32103-003	SEAT, rectifier rubber	2	
S-047	13140-064	SELECTOR FORK, 2ND & 3RD	1	
S-048	13140-013	SELECTOR FORK, top	1	
S-049	13140-014	SELECTOR FORK, top	1	
S-050	43045-001	SHAFT	2	
S-051	43004-006	SHAFT, brake pedal, option	2	
S-052	13127-019	SHAFT, drive	1	15T
S-053	13245-009	SHAFT, kickstarter	1	
S-054	13128-020	SHAFT, output	1	

PARTS LIST SUMMARY

Ref No.	Part No.	Part Name	Total	Remarks
S-055	33032-038	SHAFT, swinging arm pivot	2	
S-056	13226-004	SHAFT, tachometer gear	1	
S-057	45014-056	SHOCK ABSORBER, rear	2	
S-058	42019-007	SHOE, brake	2	
S-059	42024-001	SHUTTER AIR	1	
S-060	11016-004	SILENCER, air cleaner	1	
S-061	42036-011	SLEEVE, rear hub coupling	1	
S-062	33034-008	SLEEVE, swinging arm long	1	
S-063	33034-009	SLEEVE, swinging arm short	2	
S-064	46089-007	SLIDE BLOCK AY, L.H., switch	1	
S-065	25011-020	SOCKET, speedometer	1	
S-066	25011-021	SOCKET, tachometer	1	
S-067	92026-066	SPACER	2	
S-068	92026-068	SPACER	1	
S-069	92026-1024	SPACER, engine sprocket	1	
S-070	44028-023	SPACER, fork spring guide	2	
S-071	51065-001	SPACER, fuel tank mounting	4	
S-072	92027-012	SPACER, fuel tank mounting	1	
S-073	92027-034	SPACER, fuel tank, rear	1	
S-074	42010-014	SPACER, rear hub bearing	1	
S-075	B9HS1	SPARK PLUG, B9HS1	3	
S-076	25005-052	SPEEDOMETER ASSY, MPH	1	INCLUDES REF. #S 2-7
S-077	41027-042	SPOKE ASSY, front inner	20	
S-078	41028-041	SPOKE ASSY, front outer	20	
S-079	41027-047	SPOKE ASSY, rear inner	20	147,5 mm x 100°
S-080	41028-046	SPOKE ASSY, rear outer	20	147 mm x 81°
S-081	53012-002	SPRING	1	
S-082	43018-001	SPRING ASSY, return	1	
S-083	16007-007	SPRING SEAT, throttle valve	3	
S-084	41056-003	SPRING, brake cam lever	1	
S-085	27011-013	SPRING, brake lamp switch	1	
S-086	43005-011	SPRING, brake pedal	1	
S-087	43005-012	SPRING, brake pedal	1	
S-088	42020-003	SPRING, brake shoe	2	
S-089	92081-1045	SPRING, change drum lever	1	
S-090	92144-1720	SPRING, change lever	1	
S-091	92081-042	SPRING, clutch	5	
S-092	92081-027	SPRING, coil	2	
S-093	23014-005	SPRING, focus adjust	1	
S-094	34006-002	SPRING, footrest peg	2	
S-095	44026-031	SPRING, fork	2	
S-096	92081-048	SPRING, fuel cock diaphragm	1	
S-097	51053-003	SPRING, hook	1	
S-098	92081-021	SPRING, kickstarter	1	
S-099	92081-020	SPRING, kickstarter pedal	1	
S-100	46031-003	SPRING, L.H. switch knob	1	
S-101	16022-007	SPRING, pilot air adjust srew	3	

PARTS LIST SUMMARY

Ref No.	Part No.	Part Name	Total	Remarks
S-102	41082-001	SPRING, pin	1	
S-103	34023-005	SPRING, side stand	2	
S-104	92101-001	SPRING, spark plug cap	3	
S-105	16013-003	SPRING, starter plunger	3	
S-106	46124-006	SPRING, steering damper	1	
S-107	46126-001	SPRING, steering damper, knob	1	
S-108	92081-1129	SPRING, tension	1	
S-109	16022-005	SPRING, throttle stop screw	3	
S-110	16006-012	SPRING, throttle valve	3	
S-111	46031-007	SPRING,-L.H. switch	2	
S-112	46031-006	SPRING,-L.H. switch knob, B	1	
S-113	34011-034	STAND, main	1	
S-114	34024-032	STAND, side	1	
S-115	35032-021	STAY, rear fender	1	
S-116	35034-007-67	STAY, rear fender, P.C.O.	2	
S-117	35031-004-67	STAY, tail lamp, P.C.O.	1	
S-118	44037-041	STEM, steering	1	
S-119	43022-001	STOPPER	1	
S-120	43025-001	STOPPER, dust cover	1	
S-121	13072-006	STOPPER, kickstarter	1	
S-122	43046-001	STOPPER, pad A	1	
S-123	51038-005	STRAINER, fuel	1	
S-124	92004-029	STUD	6	
S-125	172G1060	STUD, 10 x 60	8	
S-126	172G1075	STUD, 10 x 75	2	
S-127	172G1090	STUD, 10 x 90	2	
S-128	172G0622	STUD, 6 x 22	9	
S-129	172G0635	STUD, 6 x 35	4	
S-130	172G0650	STUD, 6 x 50	3	
S-131	172G0675	STUD, 6 x 75	4	
S-132	172G0685	STUD, 6 x 85	1	
S-133	172G0820	STUD, 8 x 20	6	
S-134	172G0875	STUD, 8 x 75	12	
S-135	33001-040	SWINGING ARM	1	
S-136	43065-001	SWITCH ASSY, front brake	1	
S-137	27010-1009	SWITCH ASSY, horn button	4	
S-138	27005-1058	SWITCH ASSY, ignition	1	
S-139	27010-020	SWITCH, brake lamp	1	
S-140	46089-005	SWITCH, L.H, A	1	
S-141	46089-006	SWITCH, L.H, B	1	
S-142	13151-012	SWITCH, neutral indicator	1	

T-001	25016-014	TACHOMETER ASSY	1	INCLUDES REF. #S 2,4-9
T-002	51001-074-67	TANK, fuel, P.C.ORANGE	1	
T-003	52001-028-67	TANK-OIL, P.C. ORANGE	1	
T-004	41021-038	TIRE 3,25H-19 F6B (F)	1	
T-005	41021-039	TIRE 4,00H-18 K87 ®	1	

PARTS LIST SUMMARY

Ref No.	Part No.	Part Name	Total	Remarks
T-006	92107-1052	TOOL, driver	1	
T-007	13136-041	TOP GEAR, drive shaft	1	26T
T-008	13137-010	TOP GEAR, output shaft	1	21T
T-009	16005-016	TOP, mixing chamber	3	
T-010	43007-016	TORQUE LINK, rear brake	1	
T-011	43074-001	TUBE	1	
T-012	41022-1019	TUBE, 3.0/3.25/3.60-19	1	
T-013	44013-032	TUBE, fork inner	2	
T-014	44005-041	TUBE, L.H. fork outer	1	
T-015	44006-039	TUBE, R.H. fork outer	1	
T-016	41022-030	TUBE, tire, 3,25-19	1	
T-017	41022-031	TUBE, tire, 4,00-18	1	
T-018	700Q05470	TUBE, vinyl, 5 x 470	1	
T-019	700Q0695	TUBE, vinyl, 6 x 95	2	

U-001	16134-004	UNAVAILABLE IN PRICE BOOK	1	no longer available
U-002	16134-005	UNAVAILABLE IN PRICE BOOK	1	no longer available
U-003	16134-006	UNAVAILABLE IN PRICE BOOK	1	no longer available
U-004	21085-005	UNAVAILABLE IN PRICE BOOK	4	
U-005	41020-004	UNAVAILABLE IN PRICE BOOK	1	
U-006	41021-011	UNAVAILABLE IN PRICE BOOK	1	
U-007	56007-017	UNAVAILABLE IN PRICE BOOK	1	
U-008	960B1012	UNAVAILABLE IN PRICE BOOK	1	
U-009	960B1013	UNAVAILABLE IN PRICE BOOK	1	
U-010	960B1417	UNAVAILABLE IN PRICE BOOK	1	
U-011	960B1921	UNAVAILABLE IN PRICE BOOK	1	

V-001	43017-001	VALVE ASSY, check	1	
V-002	43029-003	VALVE ASSY, check	1	
V-003	16025-048	VALVE, throttle	3	CA 2,0

W-001	23021-004	WASHER	1	
W-002	92095-010	WASHER	1	
W-003	92022-076	WASHER, 25 mm	4	
W-004	92022-1564	WASHER, 8 x 26 x 2.3	7	
W-005	92022-1561	WASHER, 8.5 x 20 x 1.6	2	
W-006	92022-085	WASHER, brake pedal	2	
W-007	92026-022	WASHER, clutch thrust	1	
W-008	16029-004	WASHER, float valve seat	3	
W-009	92022-049	WASHER, folding peg	2	
W-010	44032-008	WASHER, fork cover	2	
W-011	42046-010	WASHER, L.H., sleeve	1	
W-012	43031-001	WASHER, lock	1	
W-013	92024-016	WASHER, lock	3	
W-014	92024-021	WASHER, lock	1	
W-015	92024-033	WASHER, lock	1	

PARTS LIST SUMMARY

Ref No.	Part No.	Part Name	Total	Remarks
W-016	92024-058	WASHER, lock	1	
W-017	92088-007	WASHER, lock	3	
W-018	92031-001	WASHER, lock, 10 mm	3	
W-019	92024-015	WASHER, lock, 18 mm	1	
W-020	92024-067	WASHER, lock, 18 mm	1	
W-021	463G2000	WASHER, lock, 20 mm	1	
W-022	464H0500	WASHER, lock, 5 mm	1	use for 92007-020
W-023	463H0600	WASHER, lock, 6 mm	1	
W-024	464H0600	WASHER, lock, 6 mm	4	
W-025	92088-014	WASHER, lock, 8 mm	6	
W-026	16034-001	WASHER, main jet	3	
W-027	92022-194	WASHER, meter fitting	8	
W-028	43067-001	WASHER, oil bolt	6	
W-029	92022-037	WASHER, oil pump	2	
W-030	44043-044	WASHER, oil seal fitting	2	
W-031	92022-125	WASHER, plain	3	
W-032	92022-150	WASHER, plain	1	
W-033	92022-193	WASHER, plain	4	
W-034	92022-196	WASHER, plain	2	
W-035	92022-206	WASHER, plain	2	
W-036	410B1000	WASHER, plain, 10 mm	2	
W-037	411B1000	WASHER, plain, 10 mm	2	
W-038	92022-044	WASHER, plain, 10,5 x 26 x 23	1	
W-039	410B1200	WASHER, plain, 12 mm	2	
W-040	92022-072	WASHER, plain, 12 mm	12	
W-041	411B0500	WASHER, plain, 5 mm	5	
W-042	410B0600	WASHER, plain, 6 mm	9	
W-043	411B0600	WASHER, plain, 6 mm	46	
W-044	410B0800	WASHER, plain, 8 mm	5	
W-045	411B0800	WASHER, plain, 8 mm	10	
W-046	92026-024	WASHER, side	6	
W-047	461F1000	WASHER, spring, 10 mm	35	
W-048	461F1200	WASHER, spring, 12 mm	20	
W-049	461F0300	WASHER, spring, 3 mm	1	
W-050	461F0500	WASHER, spring, 5 mm	5	
W-051	461F0600	WASHER, spring, 6 mm	68	
W-052	461F0800	WASHER, spring, 8 mm	40	
W-053	41063-001	WASHER, thrust	2	
W-054	92022-114	WASHER, thrust	1	
W-055	92022-119	WASHER, thrust	1	
W-056	92026-026	WASHER, thrust	2	
W-057	92022-113	WASHER, thrust t=1,0 mm	2	Phosphor-Bronze
W-058	92022-112	WASHER, thrust t=1.0 mm	3	Steel
W-059	46100-002	WASHER, wave	1	
W-060	41075-1007	WEIGHT, balance, 10 g	0	
W-061	41075-1008	WEIGHT, balance, 20 g	0	
W-062	41075-1009	WEIGHT, balance, 30 g	0	

PARTS LIST SUMMARY

Ref No.	Part No.	Part Name	Total	Remarks
W-063	41074-022	WHEEL ASSY, front	1	
W-064	42048-008	WHEEL ASSY, rear	1	
W-065	42048-021	WHEEL ASSY, rear	1	
W-066	26010-015	WIRE, battery ground lead	1	
W-067	26010-017	WIRE, battery ground lead	1	
W-068	26011-047	WIRE, lead	1	
W-069	46082-018	WIRING HARNESS, -L.H. switch	1	
W-070	26001-065	WIRING HARNESS, main	1	
W-071	26002-030	WIRING HARNESS, rear	1	
W-072	21029-021	WIRING HARNESS-MAG	1	
W-073	510A5200	WOODRUFF KEY	1	
W-074	92038-001	WOODRUFF KEY	1	
W-075	92110-007	WRENCH BOX, 10 mm	1	
W-076	92109-002	WRENCH BOX, 24 x 32	1	

Y-001	21076-012	YOKE ASSY	1	
Y-002	26012-017	YUASA BATTERY, 12N9-4B-1	1	12N9-4B-1