

KAWASAKI

Model

500:H1-D

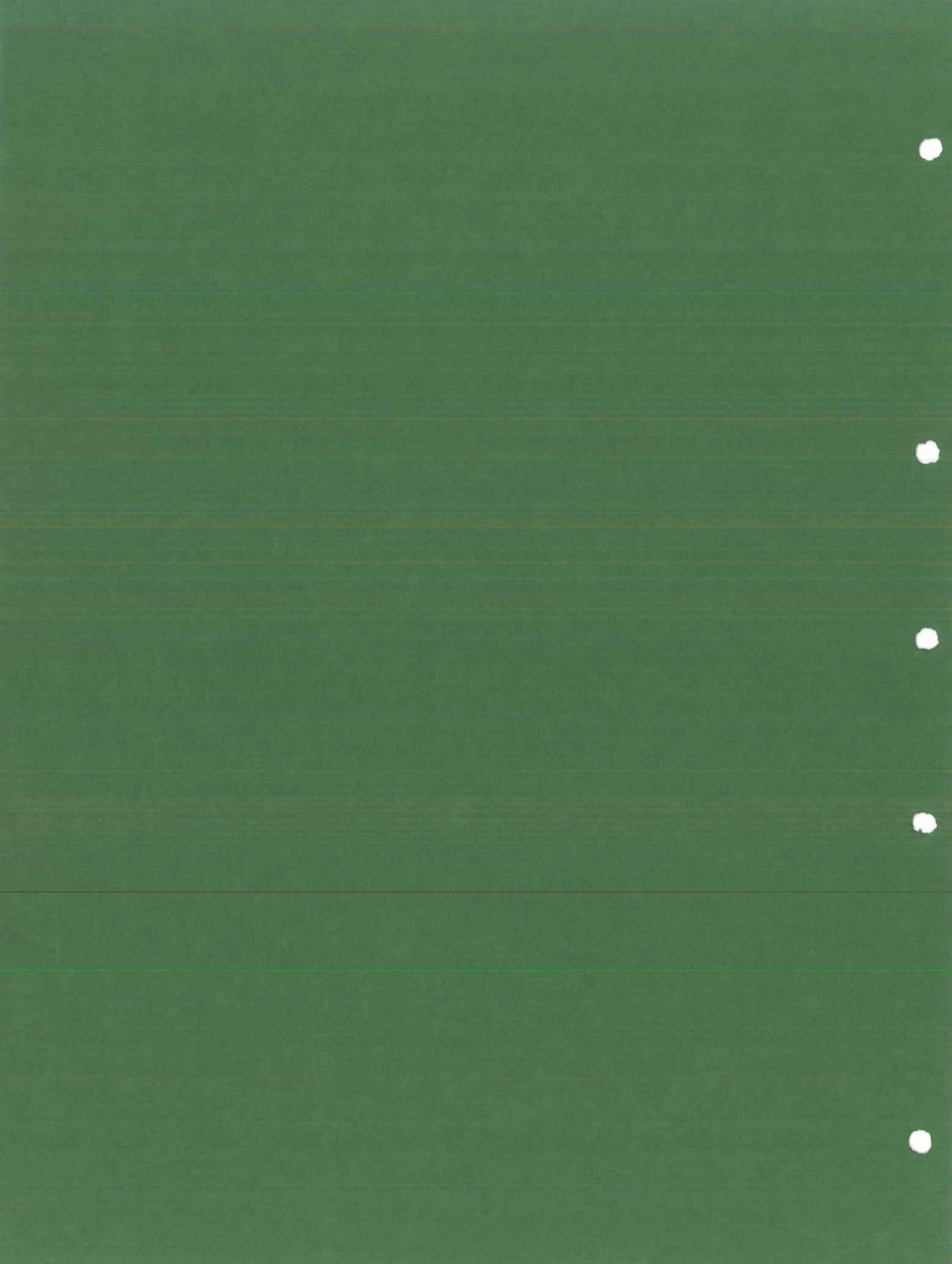
Special Parts List For European Market

KAWASAKI HEAVY INDUSTRIES, LTD.
MOTORCYCLE DIVISION

1-1, Kawasaki-Cho, Akashi, Hyogo Pref, Japan.

10. Nov. 1972

NO. 99997-605 ©



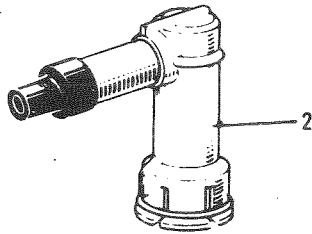
KAWASAKI 500 H1-D

Special Parts List

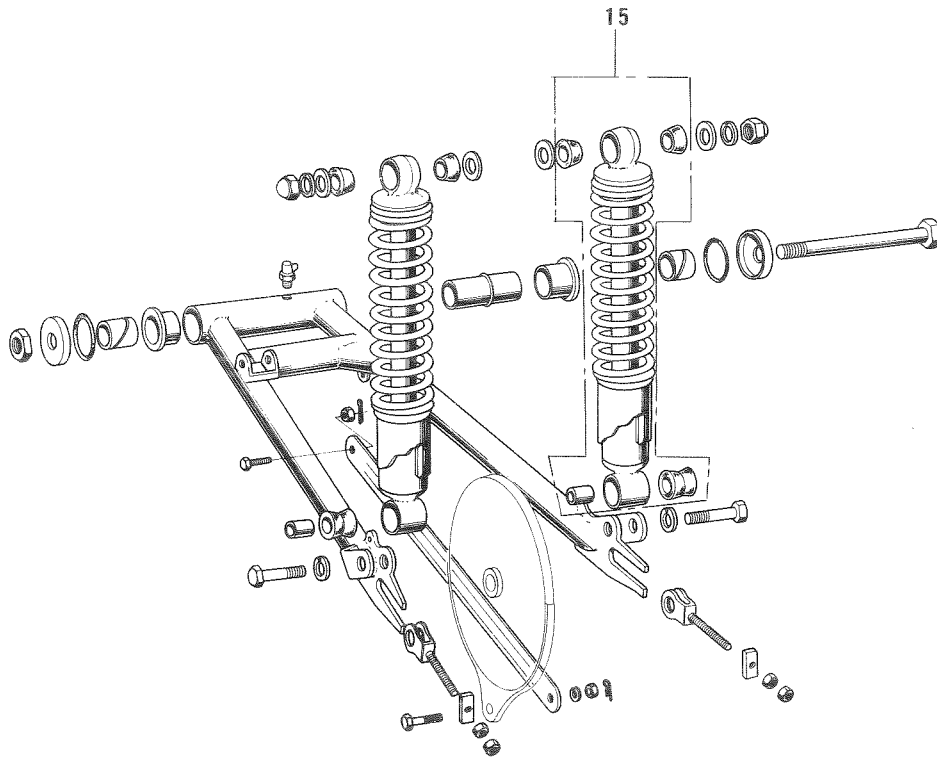
INDEX

9.	Electrical Equipment for Engine	1
14.	Swinging Arm, Rear Shock Absorber	1
15.	Footrests, Stands, Brake Pedal	1
16.	Handlebar, Grips	3
18.	Fenders	3
20.	Disc Brake Equipment A	5
26.	Dual Seat	5
27.	Cables	7
28-1.	Electrical Equipment A (German Type)	9
28-2.	Electrical Equipment A (French Type)	9
29.	Electrical Equipment B	7
	Numerical Parts Index (Part No. Sequence)	11

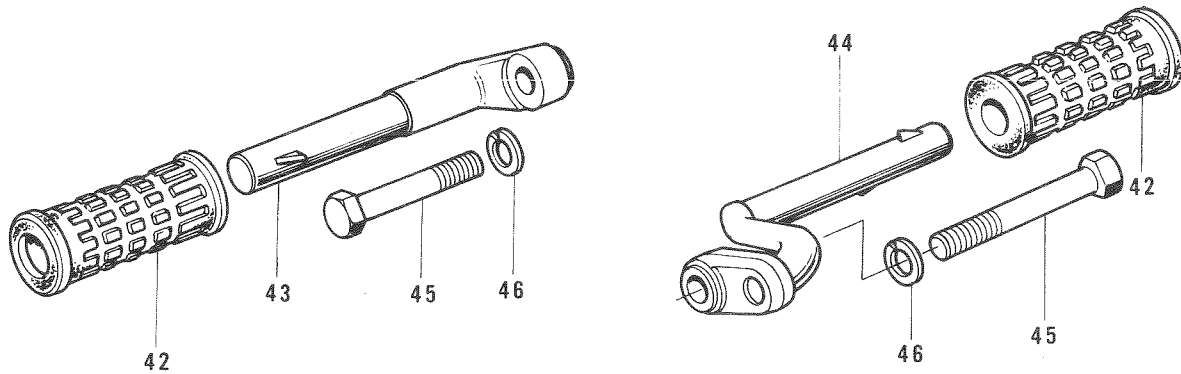
9. Electrical Equipment for Engine



14. Swinging Arm, Rear Shock Absorber



15. Footrests, Stands, Brake Pedal



9. Electrical Equipment for Engine

Ref. No.	Part No.	Part Name	Quantity	Remarks
2	21130-018	CAP, spark plug	3	

P/No. 92101-001 is not required for European Market.

14. Swinging Arm, Rear Shock Absorber

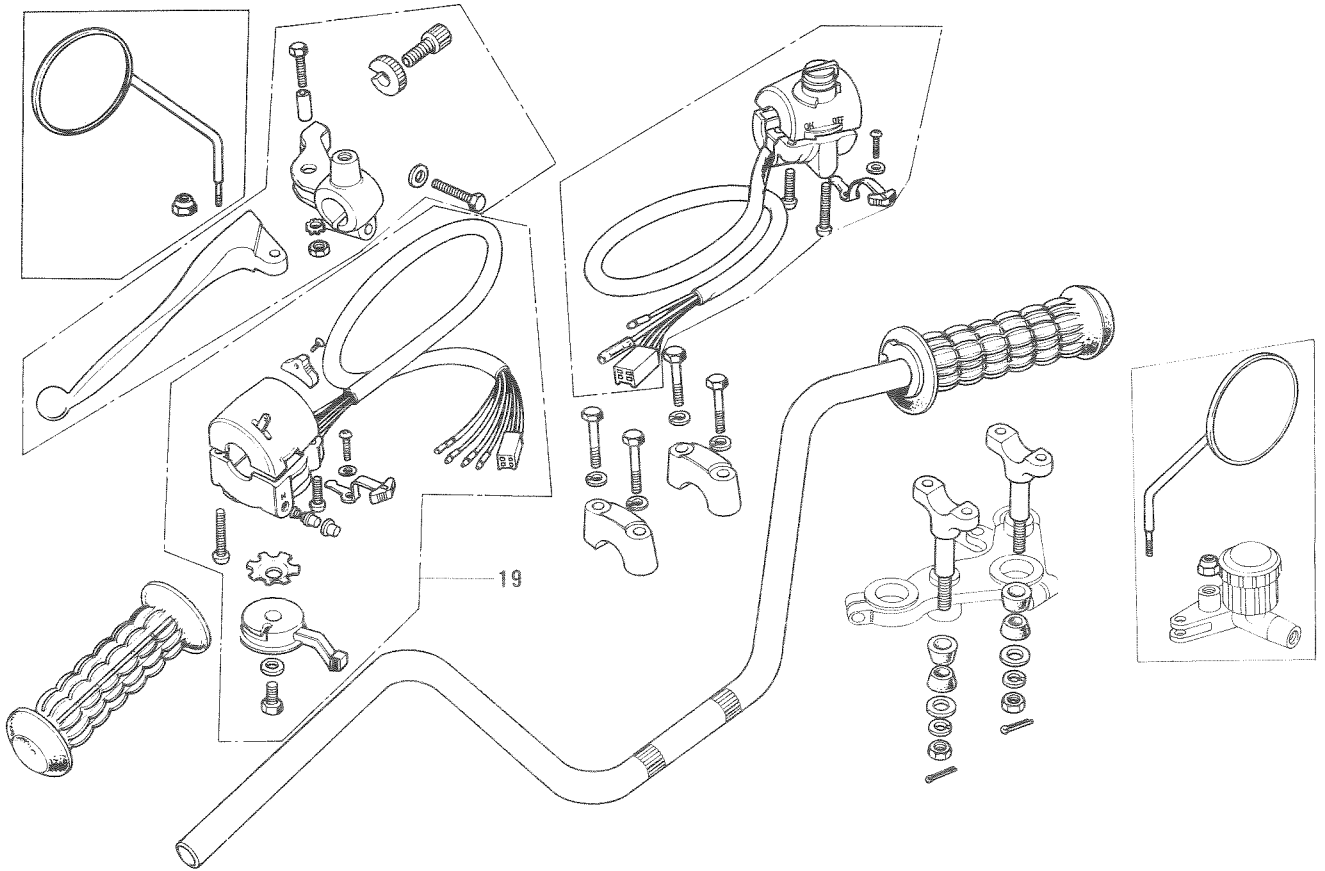
Ref. No.	Part No.	Part Name	Quantity	Remarks
15	45014-079	SHOCK ABSORBER, rear	2	

Ref. No. 29, 30 not required for European Market.

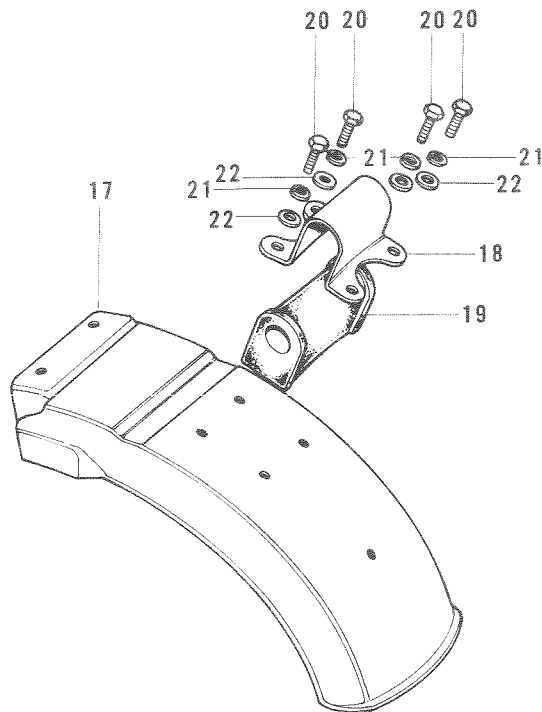
15. Footrests, Stands, Brake Pedal

Ref. No.	Part No.	Part Name	Quantity	Remarks
42	92076-005	RUBBER, footrest bar	2	
43	34003-042	BAR, L.H. footrest	1	
44	34003-043	BAR, R.H. footrest	1	
45	113G1236A	BOLT, hex head, 12 x 36	2	
46	461F1200	WASHER, spring, 12 m/m	2	

16. Handlebar, Grips



18. Fenders



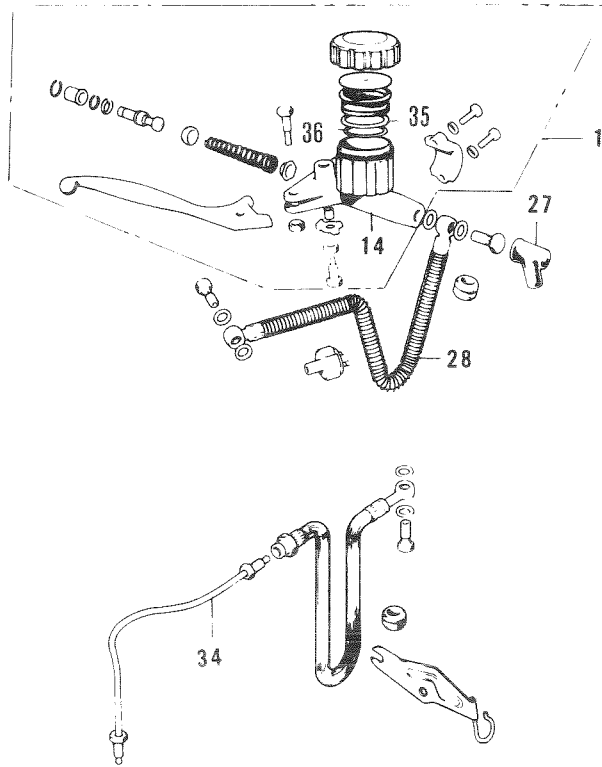
16. Handlebar, Grips

Ref. No.	Part No.	Part Name	Quantity	Remarks
19	46091-010	CASE ASSY, L.H.	1	

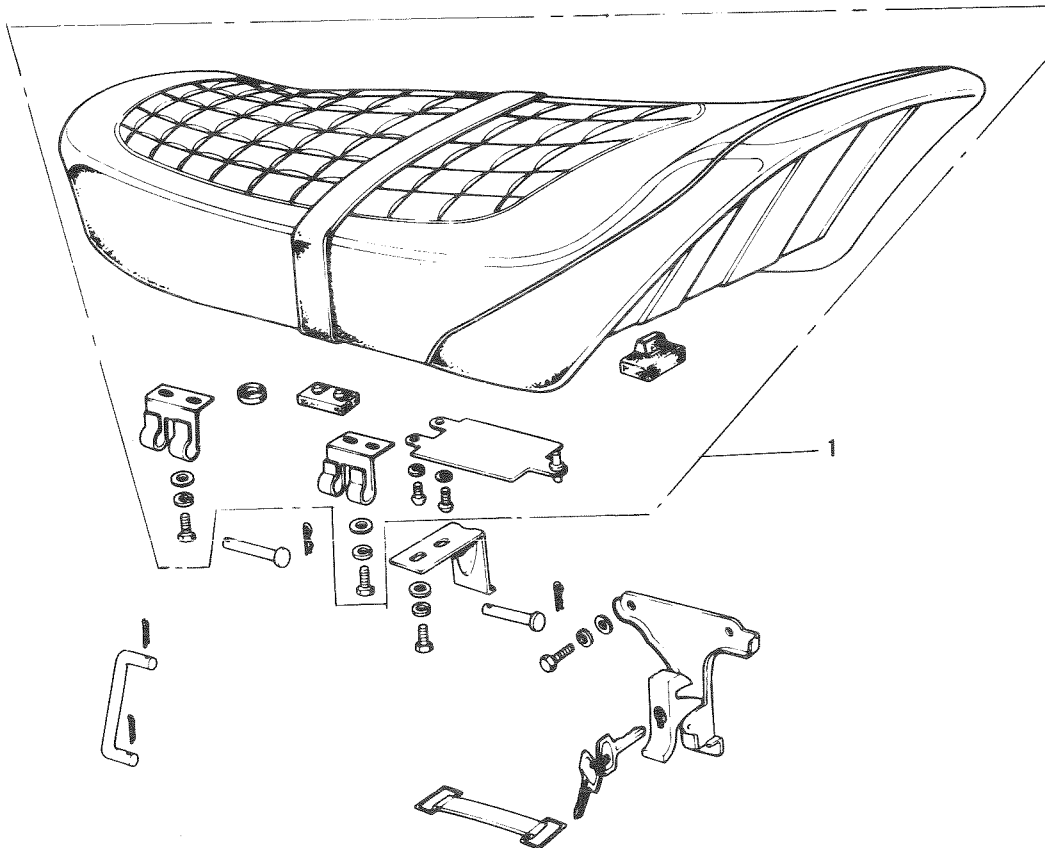
18. Fenders

Ref. No.	Part No.	Part Name	Quantity	Remarks
17	35022-082	FENDER, rear	1	
18	35026-007	BRACKET, rear fender	1	
19	92075-171	DAMPER RUBBER	1	
20	110B0612	BOLT, hex head, 6 x 12	4	
	116B0612	BOLT, hex head, 6 x 12	ALT	
21	461F0600	WASHER, spring, 6 m/m	4	
22	411B0600	WASHER, plain, 6 m/m	4	

20. Disc Brake Equipment A



26. Dual Seat



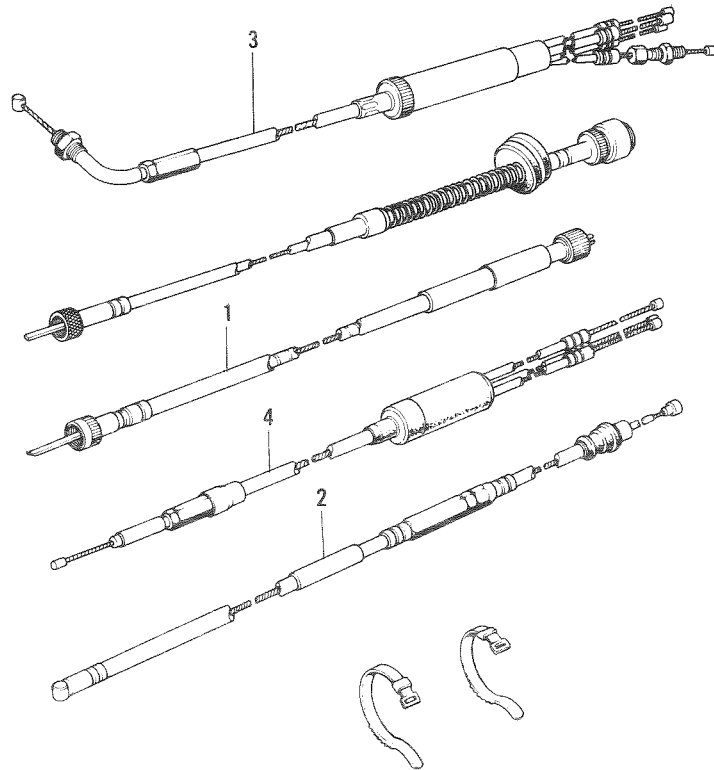
20. Disc Brake Equipment A

Ref. No.	Part No.	Part Name	Quantity	Remarks
1	43015-003	CYLINDER ASSY, master	1	
14	43016-003	CYLINDER, master	1	
27	43069-001	DUST COVER	1	
28	43059-010	HOSE, master cylinder brake	1	
34	43060-007	PIPE, bridge	1	
35	43053-003	RING, seal	1	
36	43079-001	"O" RING	1	

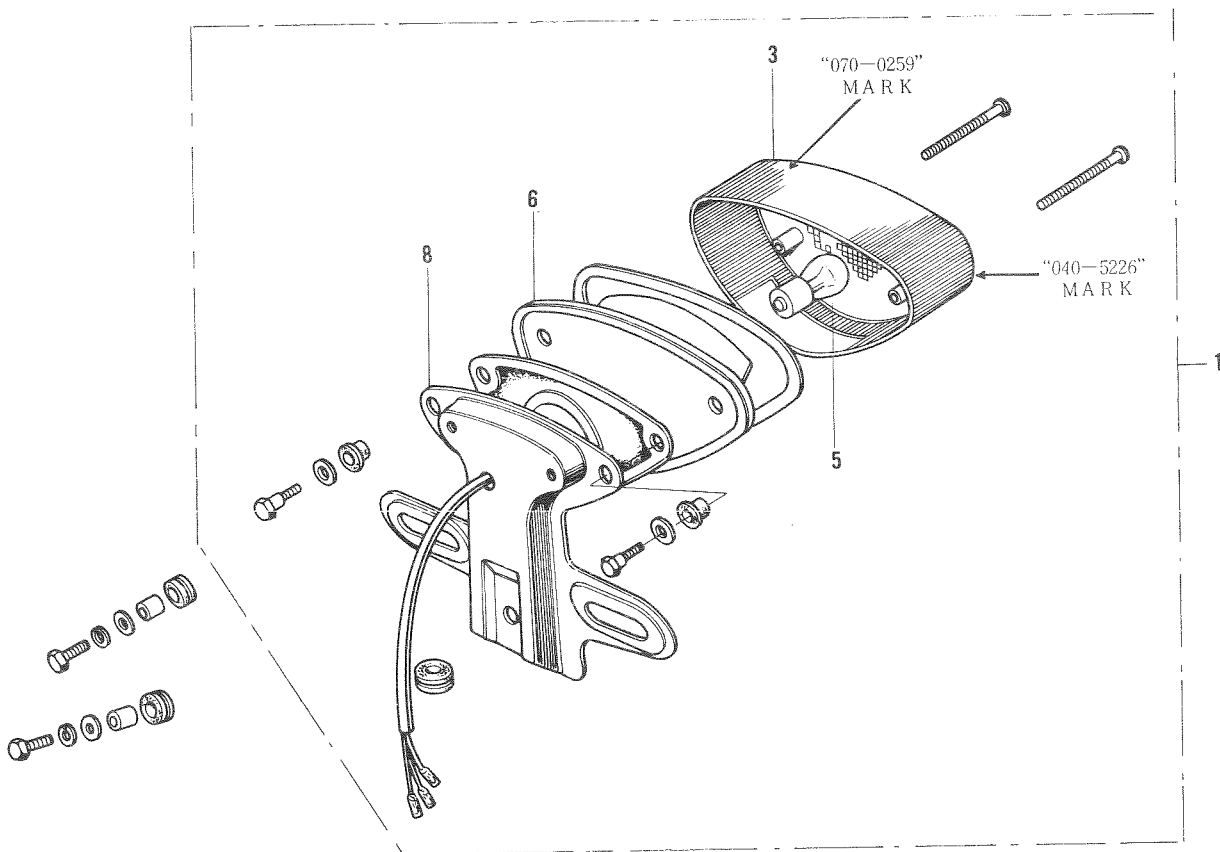
26. Dual Seat

Ref. No.	Part No.	Part Name	Quantity	Remarks
1	53001-081	SEAT ASSY, dual	1	

27. Cables



29. Electrical Equipment B



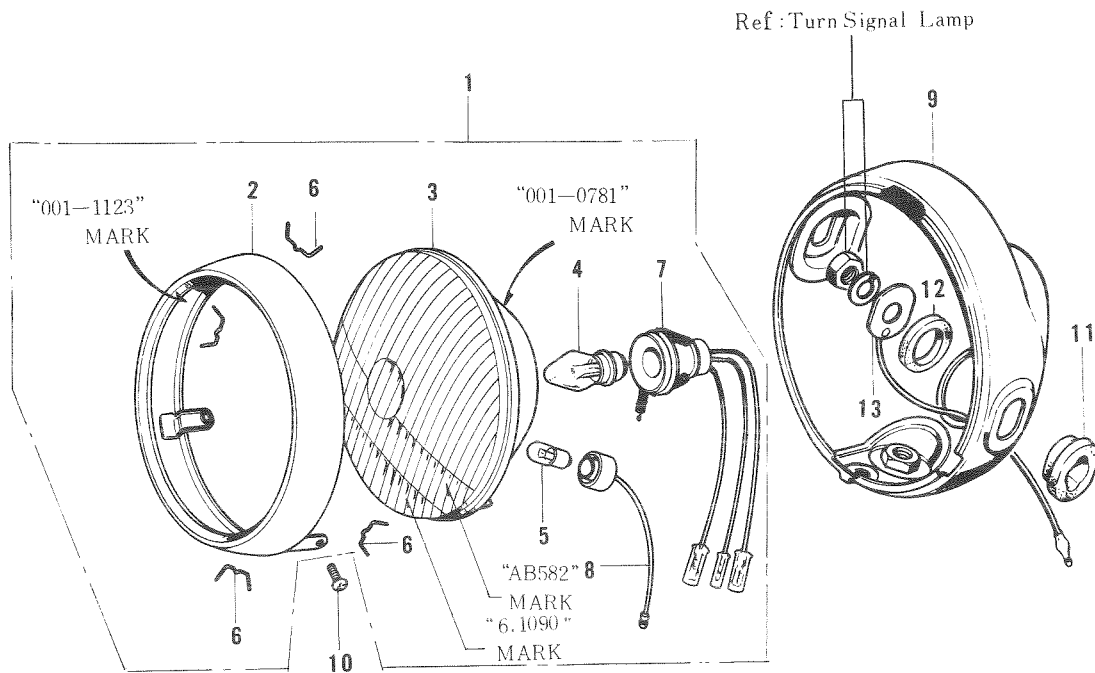
27. Cables

Ref. No.	Part No.	Part Name	Quantity	Remarks
1	54001-036	CABLE, speedometer	1	
2	54011-050	CABLE, clutch	1	
3	54012-055	CABLE, combination	1	
4	54017-054	CABLE, starter	1	

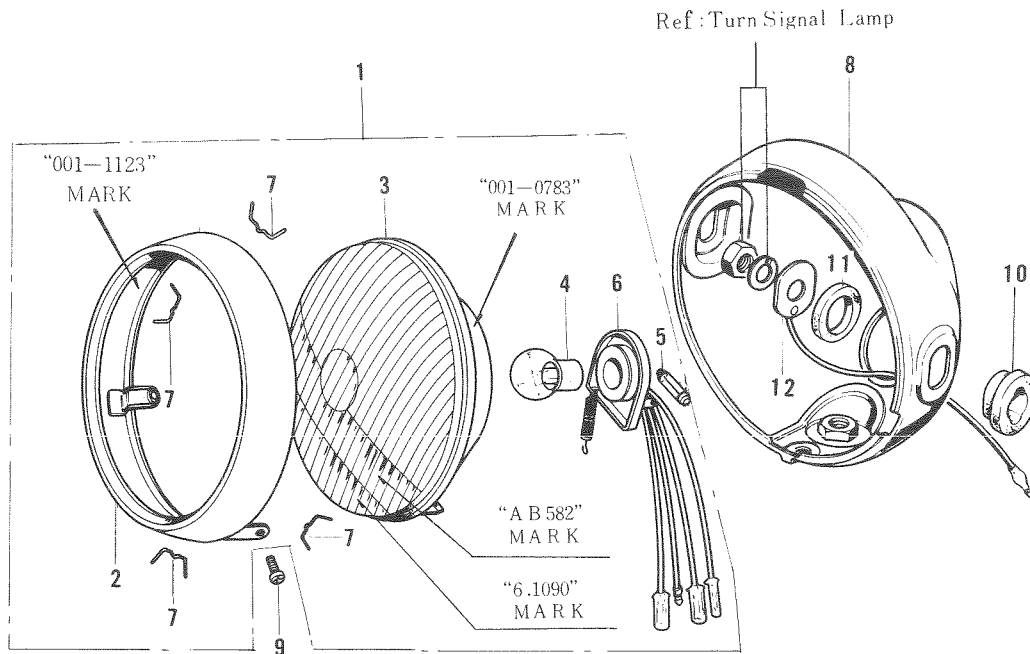
29. Electrical Equipment B

Ref. No.	Part No.	Part Name	Quantity	Remarks
1	23024-031-21	LAMP ASSY, tail	1	Flat Black
3	23026-025	LENS, TAIL LAMP	1	
5	92069-063	BULB, 12V 21/5W	1	Local Procurement Item
6	23027-033	CASE, tail lamp	1	
8	23036-024-21	BRACKET, license plate	1	Flat Black

28-1. Electrical Equipment A (German Type)



28-2. Electrical Equipment A (French Type)



28-1. Electrical Equipment A (German Type)

Ref. No.	Part No.	Part Name	Quantity	Remarks
1	23004-043	LAMP UNIT, head	1	
2	23006-036	RIM, head lamp	1	
3	23007-042	LENS UNIT, head lamp	1	
4	92069-069	BULB, 12V 25/25W	1	} Local Procurement Item
5	92069-071	BULB, 12V 4W	1	
6	23009-012	CLAMP, head lamp lens unit spring	4	
7	23008-035	SOCKET, head lamp	1	
8	23008-036	SOCKET, head lamp	1	
9	23005-038-21	BODY, head lamp	1	
10	23019-022	SCREW, lens unit fitting	2	
11	23066-005	DAMPER RUBBER B	2	
12	23066-001	DAMPER RUBBER A	2	
13	23076-001	COLLAR SET	2	

28-2. Electrical Equipment A (French Type)

Ref. No.	Part No.	Part Name	Quantity	Remarks
1	23004-044	LAMP UNIT, head	1	
2	23006-036	RIM, head lamp	1	
3	23007-047	LENS UNIT, head lamp	1	
4	92069-070	BULB, 12V 36/36W	1	} Local Procurement Item
5	92069-072	BULB, 12V 4W	1	
6	23008-034	SOCKET, head lamp	1	
7	23009-012	CLAMP, head lamp lens unit spring	4	
8	23005-038-21	BODY, head lamp	1	Flat Black
9	23019-022	SCREW, lens unit fitting	2	
10	23066-005	DAMPER RUBBER B	2	
11	23066-001	DAMPER RUBBER A	2	
12	23076-001	COLLAR SET	2	

Numerical Part Index (Part No. Sequence)

* : Indicates the Newly developed parts for Kawasaki 500 H1-D

Part No.	Page	Q'ty	Part No.	Page	Q'ty
21130-018	2	3	461F0600	4	4
23004-043	10	1	461F1200	2	2
23004-044	10	1			
23005-038-21	10	1			
23006-036	10	1			
23007-042	10	1			
23007-047	10	1			
23008-034	10	1			
23008-035	10	1			
23008-036	10	1			
23009-012	10	4			
23019-022	10	2			
* 23024-031-21	8	1			
* 23026-025	8	1			
* 23027-033	8	1			
* 23036-024-21	8	1			
23066-001	10	2			
23066-005	10	2			
23076-001	10	2			
* 34003-042	2	1			
* 34003-043	2	1			
* 35022-082	4	1			
* 35026-007	4	1			
41021-021	6	1			
41021-023	6	1			
43015-003	6	1			
43016-003	6	1			
43053-003	6	1			
43059-010	6	1			
43060-007	6	1			
43069-001	6	1			
43079-001	6	1			
* 45014-079	2	2			
46091-012	4	1			
* 53001-081	6	1			
54001-036	8	1			
* 54011-050	8	1			
54012-055	8	1			
* 54017-054	8	1			
92069-063	8	1			
92069-069	10	1			
92069-070	10	1			
92069-071	10	1			
92069-072	10	1			
92075-171	4	1			
92076-005	2	2			
110B0612	4	4			
113G1236A	2	2			
116B0612	4				
411B0600	4	4			

