



Model

500:H1-F

**Exclusive Parts List
for European Market**

KAWASAKI HEAVY INDUSTRIES, LTD.

Motorcycle Division.

1-1, Kawasaki-cho, Akashi, Hyogo Pref. Japan

Printed No. 99997-625-51 ©

20. Sep. 1974

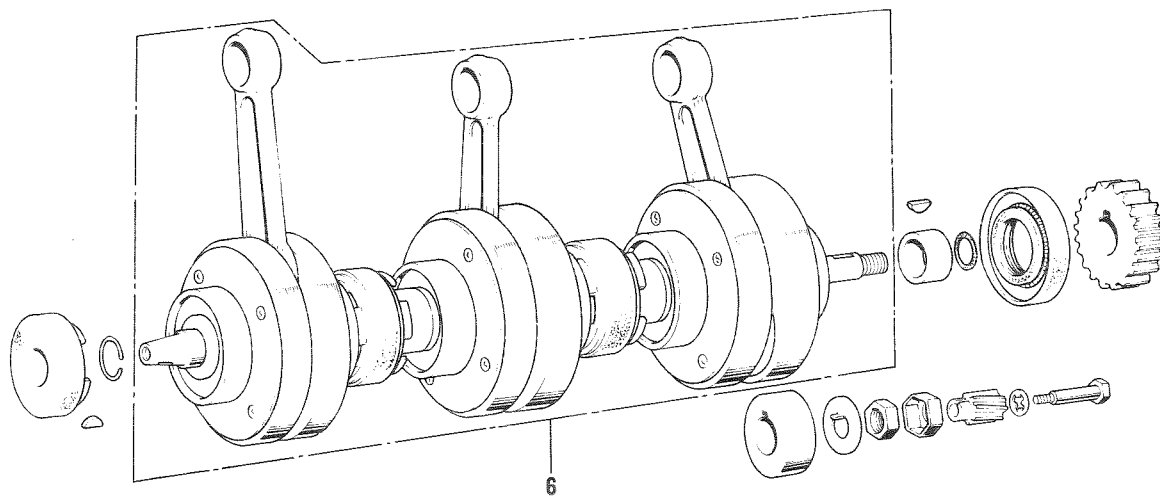


500:H1-F

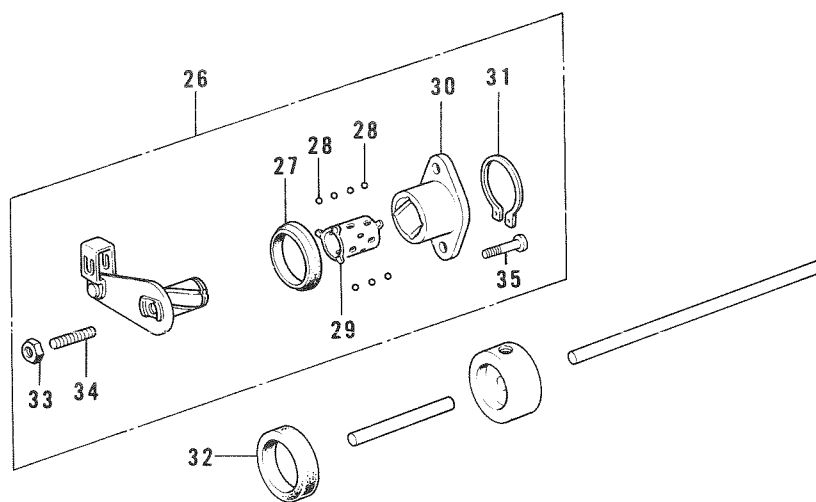
INDEX

3.	Piston, Crankshaft	1
4.	Clutch	1
5.	Transmission Gears	3
9.	Electrical Equipment for Engine	3
10.	Air Cleaner, Mufflers	5
13.	Frame	5
14.	Swinging Arm, Rear Shock Absorber	7
15.	Footrests, Stands, Brake Pedal	7
16.	Handlebar, Grips	9
17.	Front Fork	9
18.	Fenders	11
20.	Disc Brake Equipment A	11
24.	Fuel Tank	13
25.	Oil Tank, Side Cover, Chain Cover, Chain	13
26.	Dual Sheat.	15
27.	Cables	15
28.	Electrical Equipment A	17
29.	Electrical Equipment B	19
30.	Electrical Equipment C	19
	Numerical Parts Index	22

3. Piston, Crankshaft



4. Clutch



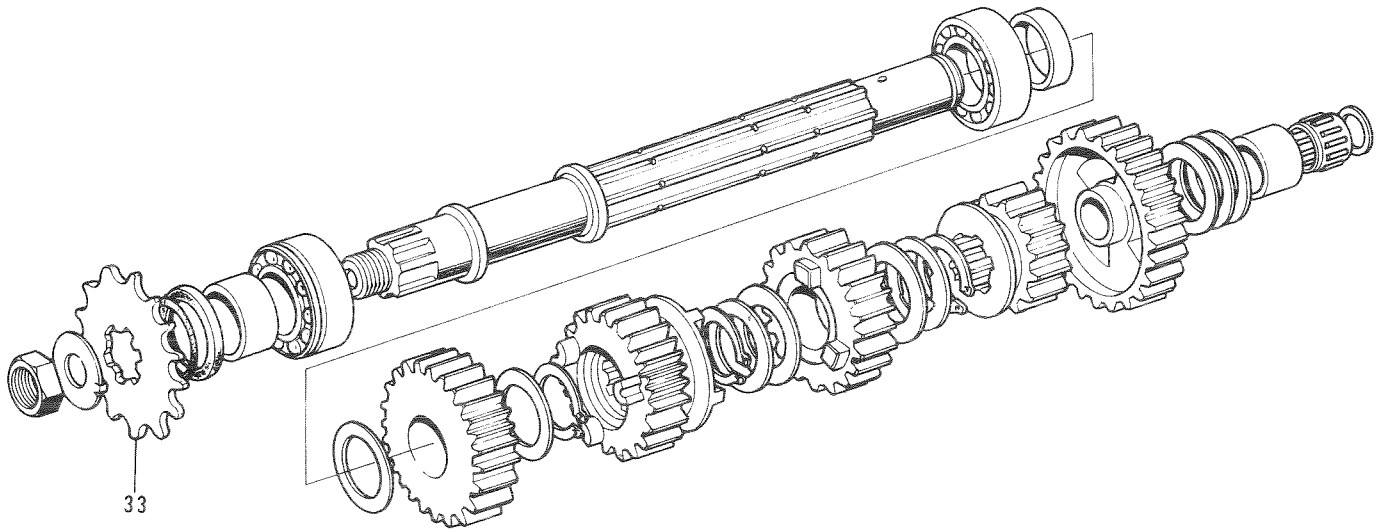
3. Piston, Crankshaft

Ref. No.	Part No.	Part Name	Quantity	Remarks
6	13031-049	CRANK & CONROD ASSY	1	

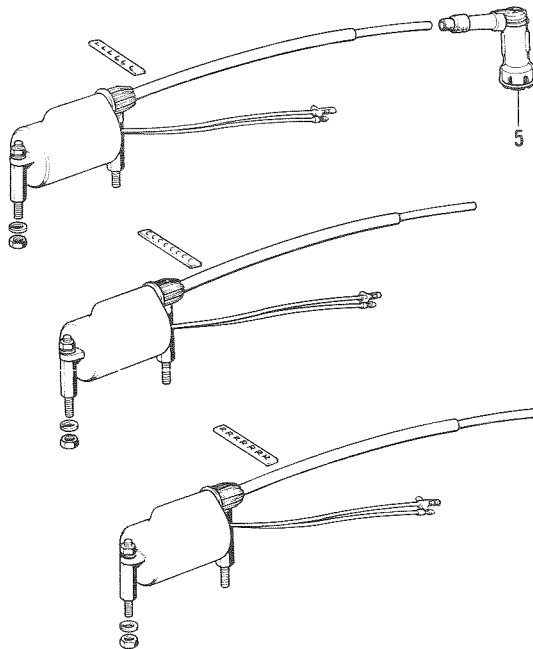
4. Clutch

Ref. No.	Part No.	Part Name	Quantity	Remarks
26	13231-018	RELEASE ASSY, clutch	1	
27	92056-007	OIL SEAL	1	
28	600A0400	BALL, steel, 1/8"	11	
29	13197-006	RETAINER	1	
30	13118-015	OUTER, clutch release	1	
31	480J1500	CIRCLIP, 15 m/m	1	
32	92050-070	OIL SEAL	1	
33	311B0600	NUT, 6 m/m	1	
34	291Z0625	SCREW, slotted, 6 x 25	1	
35	220B0616	SCREW, pan head, 6 x 16	2	

5. Transmission Gears



9. Electrical Equipment for Engine



5. Transmission Gears

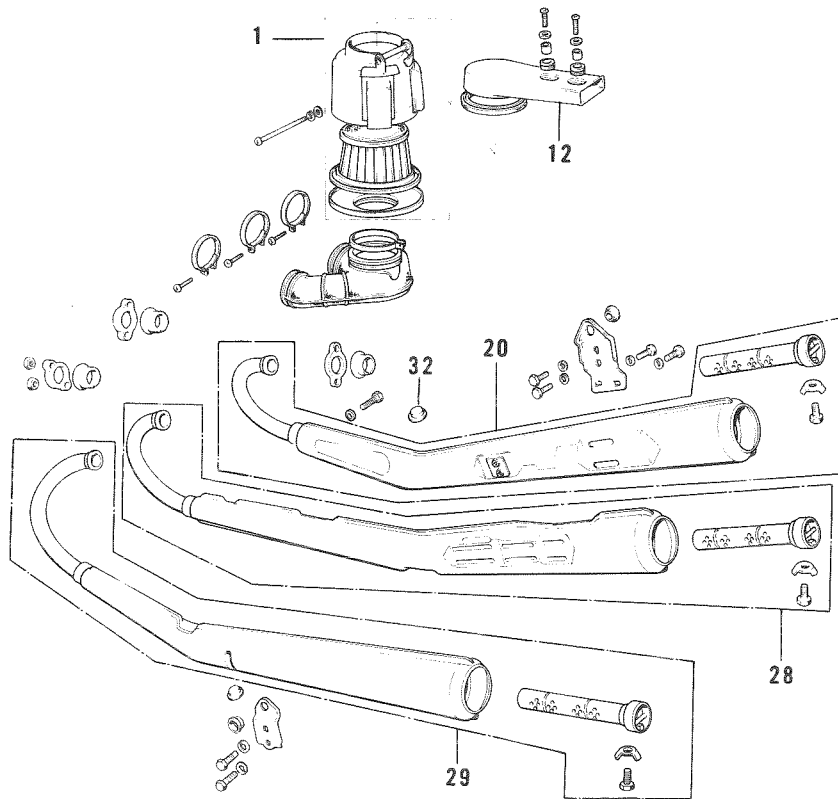
Ref. No.	Part No.	Part Name	Quantity	Remarks
33	13144-036	ENGINE SPROCKET, 16T	1	S.T.D.
	13144-035	ENGINE SPROCKET, 14T		} Option
	13144-030	ENGINE SPROCKET, 15T		

9. Electrical Equipment for Engine

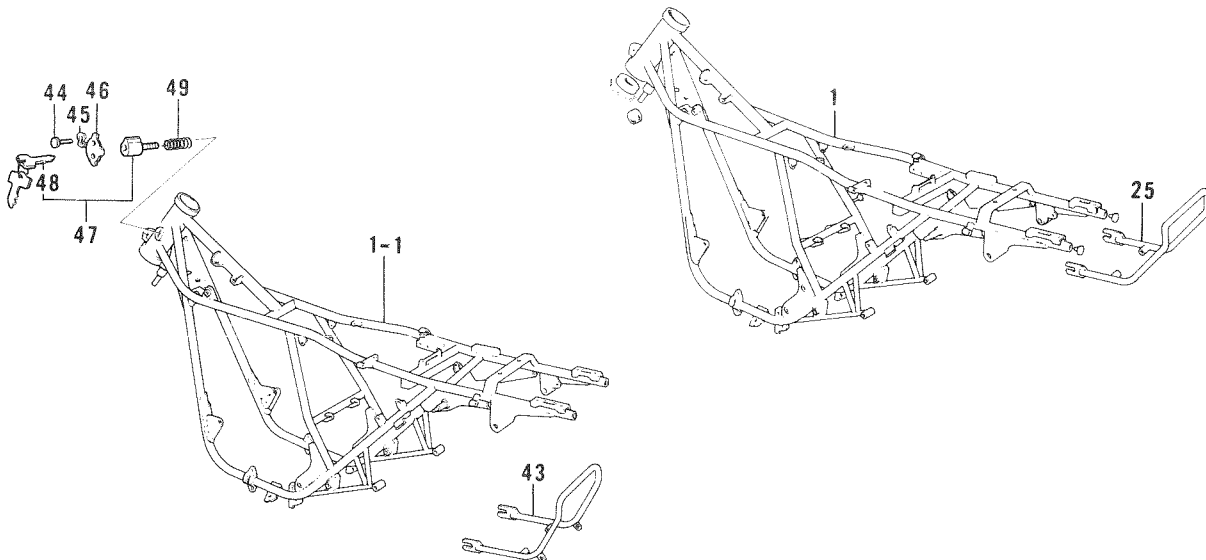
Ref. No.	Part No.	Part Name	Quantity	Remarks
5	21130-023	CAP, spark plug	3	

P/No. 92101-001 is not required for European Market.

10. Air Cleaner, Mufflers



13. Frame



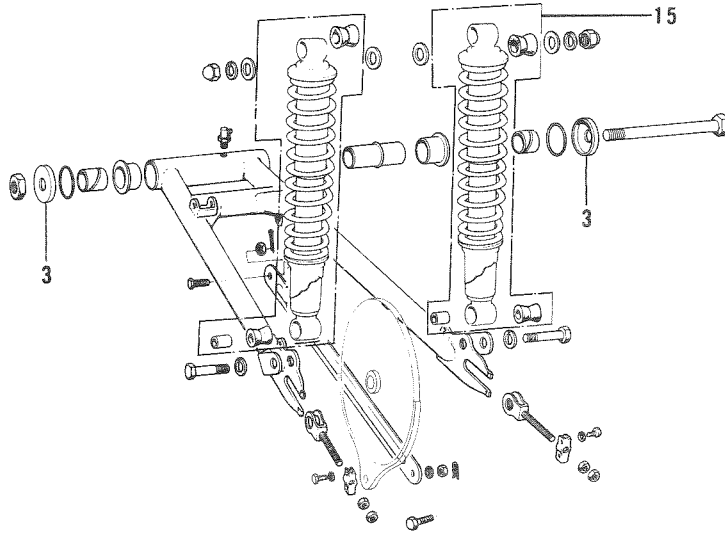
10. Air Cleaner, Mufflers

Ref. No.	Part No.	Part Name	Quantity	Remarks
1	11010-091-10	AIR CLEANER ASSY, Black	1	"D.G.M" MARK
12	11016-007	SILENCER	1	"D.G.M" MARK
20	18001-164	MUFFLER ASSY, R.H.	1	"D.G.M" MARK
28	18001-163	MUFFLER ASSY, CENTER	1	"D.G.M" MARK
29	18001-162	MUFFLER ASSY, L.H.	1	"D.G.M" MARK
32	92075-006	DAMPER RUBBER	1	

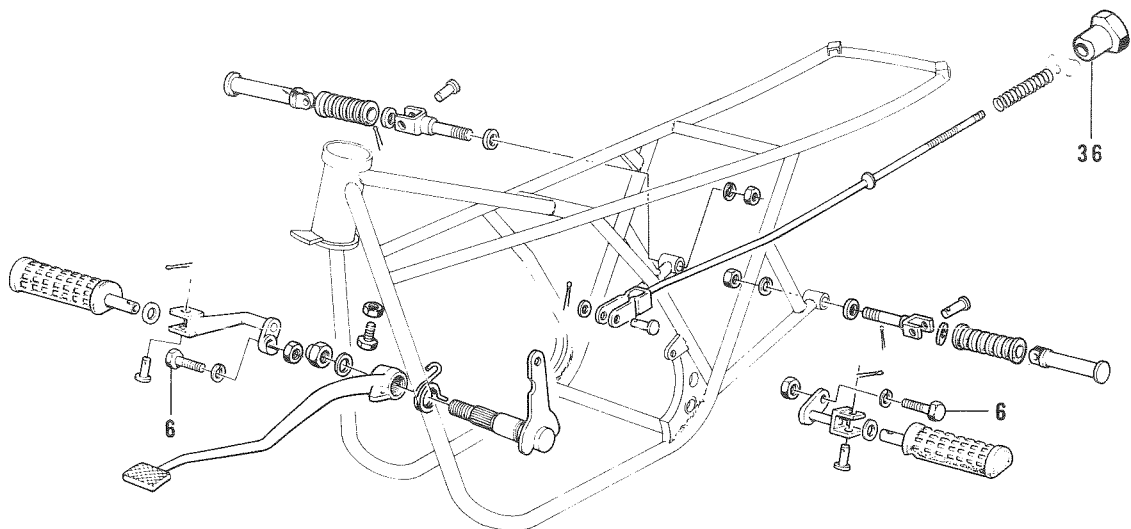
13. Frame

Ref. No.	Part No.	Part Name	Quantity	Remarks
1	32002-114	FRAME	1	
1-1	32002-117	FRAME	1	Use for Germany spec.
25	35032-023	STAY, rear fender	1	
43	35032-031	STAY, rear fender	1	Use for French spec.
44	92008-007	SCREW, tapping	1	} Use for Germany Spec.
45	92097-003	WASHER, wave	1	
46	27031-001	CAP, steering lock	1	
47	27016-038	LOCK ASSY, steering	1	
48	27008-055-01	KEY SET, #901	1	
	27008-055-02	KEY SET, #902	1	
	27008-055-03	KEY SET, #903	1	
	27008-055-04	KEY SET, #904	1	
	27008-055-05	KEY SET, #905	1	
	27008-055-06	KEY SET, #906	1	
	27008-055-07	KEY SET, #907	1	
	27008-055-08	KEY SET, #908	1	
	27008-055-09	KEY SET, #909	1	
	27008-055-10	KEY SET, #910	1	
49	27032-001	SPRING, steering lock	1	

14. Swinging Arm, Rear Shock Absorber



15. Footrests, Stands, Brake Pedal



14. Swinging Arm, Rear Shock Absorber

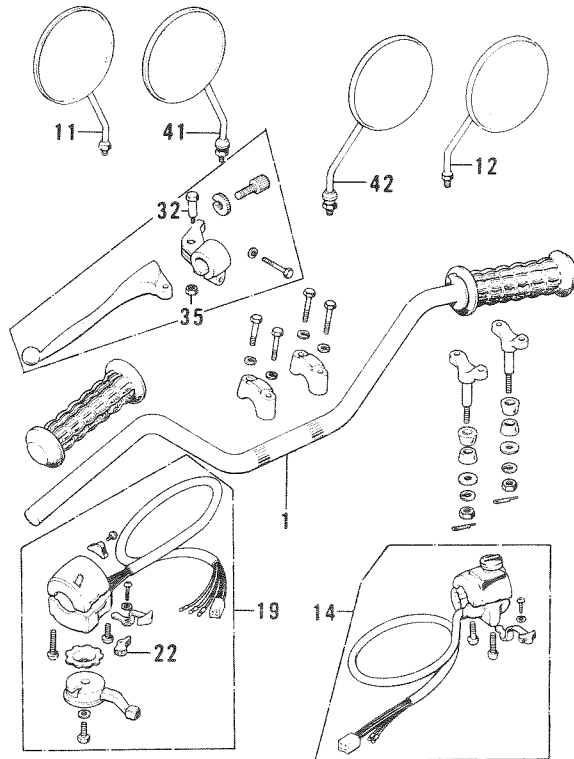
Ref. No.	Part No.	Part Name	Quantity	Remarks
3	33035-007	CAP, swinging arm	2	
15	45014-097	SHOCK ABSORBER, rear	2	

Ref. No. 31 and 32 are not required for P/No. 45014-097.

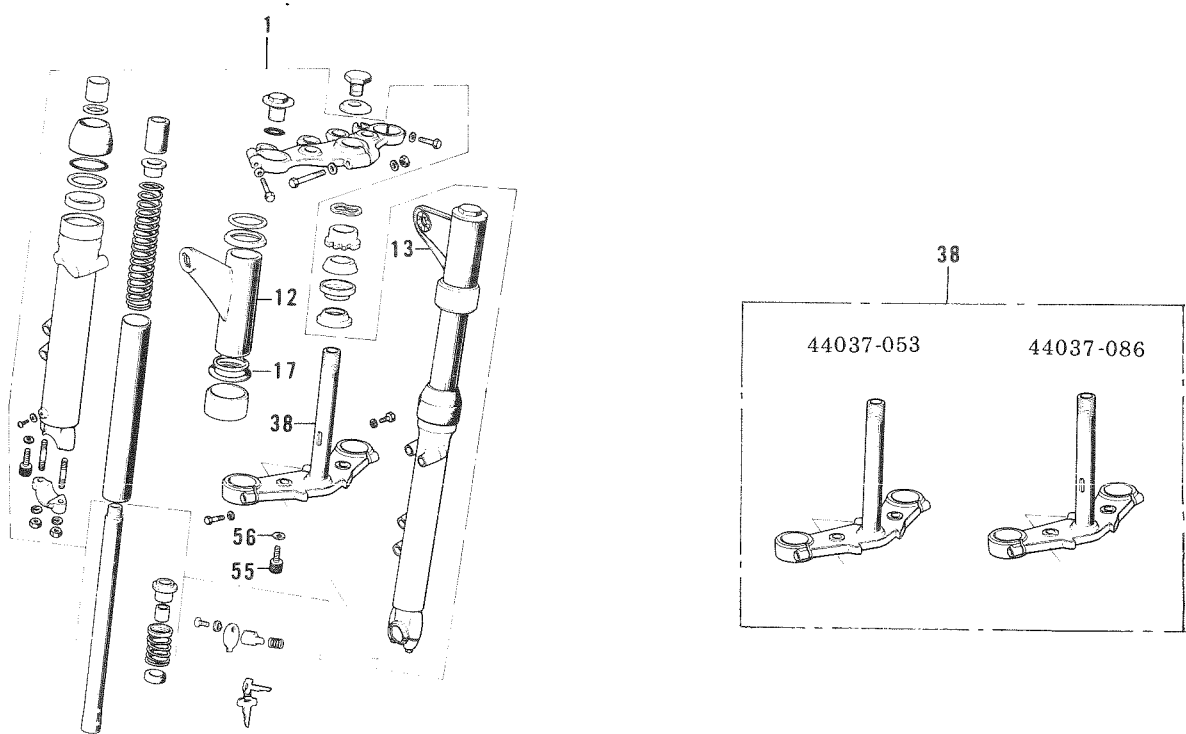
15. Foorests, Stands, Brake Pedal

Ref. No.	Part No.	Part Name	Quantity	Remarks
6	92003-165	BOLT, hex head, 12 x 56	2	
36	92015-042	NUT, brake rod adjust	1	

16. Handlebar, Grips



17. Front Fork



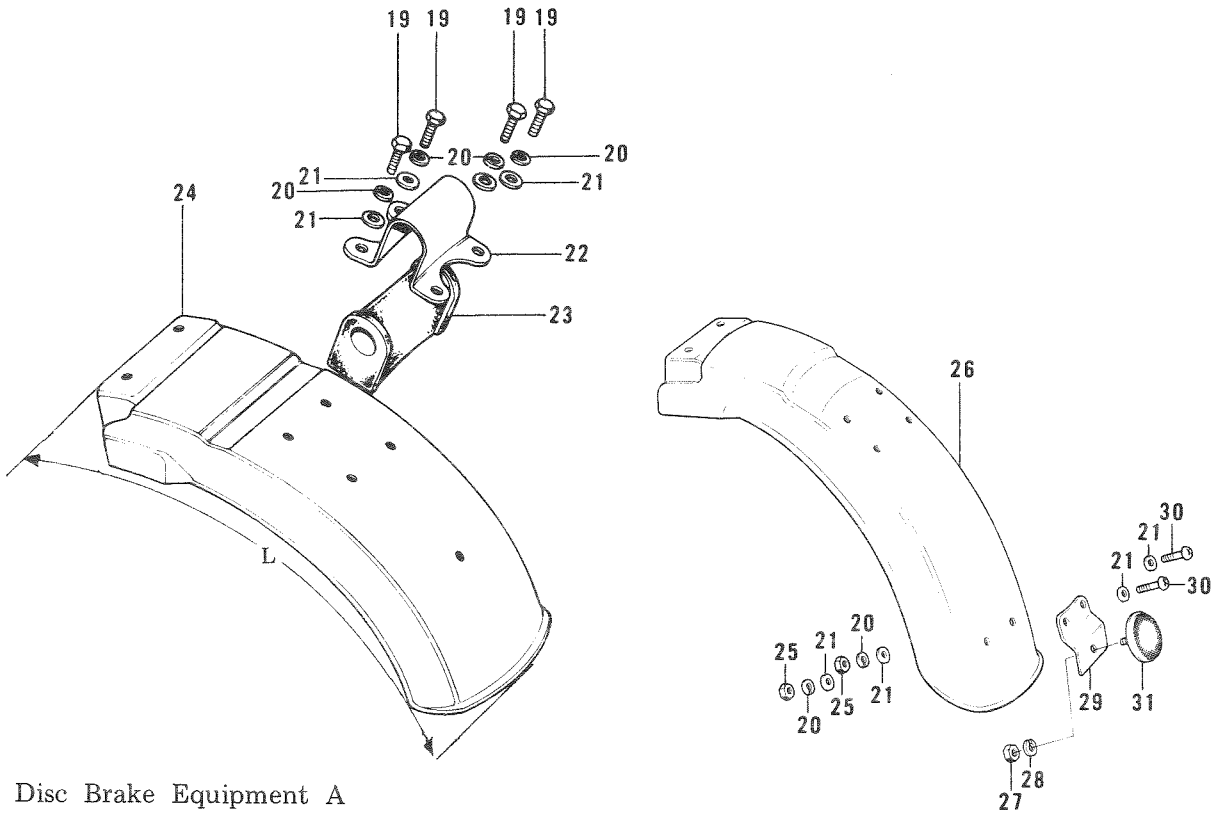
16. Handlebar, Grips

Ref. No.	Part No.	Part Name	Quantity	Remarks
1	46006-012	HANDLEBAR, semi-low	1	
11	56003-009	REAR VIEW MIRROR, L.H.	1	
12	56002-020	REAR VIEW MIRROR, R.H.	1	
14	46132-012	CASE ASSY, R.H.	1	
19	46091-033	CASE ASSY, L.H.	1	
22	46027-015	SWITCH ASSY, push button	1	
32	92007-046	BOLT, hex head, 5 x 22	1	
33,34		Not required for P/No. 92007-046		
35	92019-014	NUT, lock, 5 m/m	1	
41	56003-014	REAR VIEW MIRROR, L.H.	1	} Use for Germany & French spec.
42	56002-022	REAR VIEW MIRROR, R.H.	1	

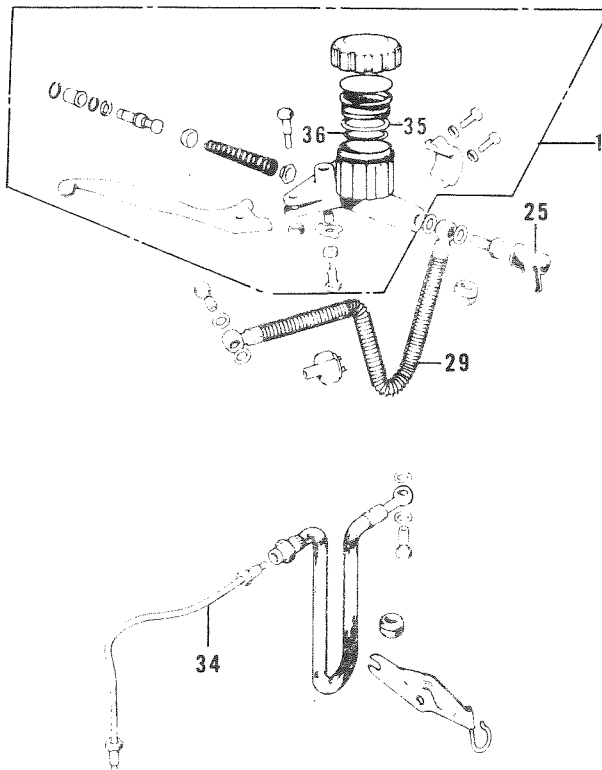
17. Front Fork

Ref. No.	Part No.	Part Name	Quantity	Remarks
1	44001-131	FRONT FORK ASSY	1	
	44001-153	FRONT FORK ASSY	1	Use for Germany spec.
12	44033-069	COVER, L.H. fork	1	
13	44034-069	COVER, R.H. fork	1	
17	44045-038	GASKET, fork cover	2	
38	44037-053	STEM, steering	1	
	44037-086	STEM, steering	1	Use for Germany spec.
41,42		Not required for European Market		
55	44041-075	BOLT, steering stem	1	
56	43067-001	WASHER	1	

18. Fenders



20. Disc Brake Equipment A



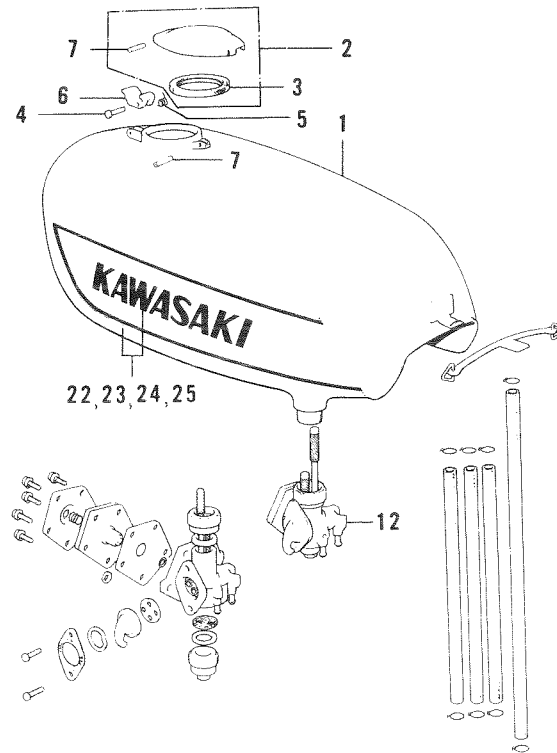
18. Fenders

Ref. No.	Part No.	Part Name	Quantity	Remarks
19	110B0612	BOLT, hex head , 6 x 12	4	
20	461F0600	WASHER, spring, 6 m/m	6	
21	411B0600	WASHER, plain, 6 m/m	8	
22	35026-010	BRACKET, rear fender	1	
23	92075-228	DAMPER RUBBER	1	
24	35022-106	FENDER, rear L = 635.63 m/m	1	
25	310B0600	NUT, 6 m/m	2	} Use for French spec.
26	35022-125	FENDER, rear	1	
27	310B0500A	NUT, 5 m/m	1	
28	461F0500	WASHER, spring, 5 m/m	1	
29	28013-008	BRACKET, reflex reflector	1	
30	220B0616	SCREW, pan head, 6 x 16	2	
31	28012-012	REFLECTOR, rear reflex	1	

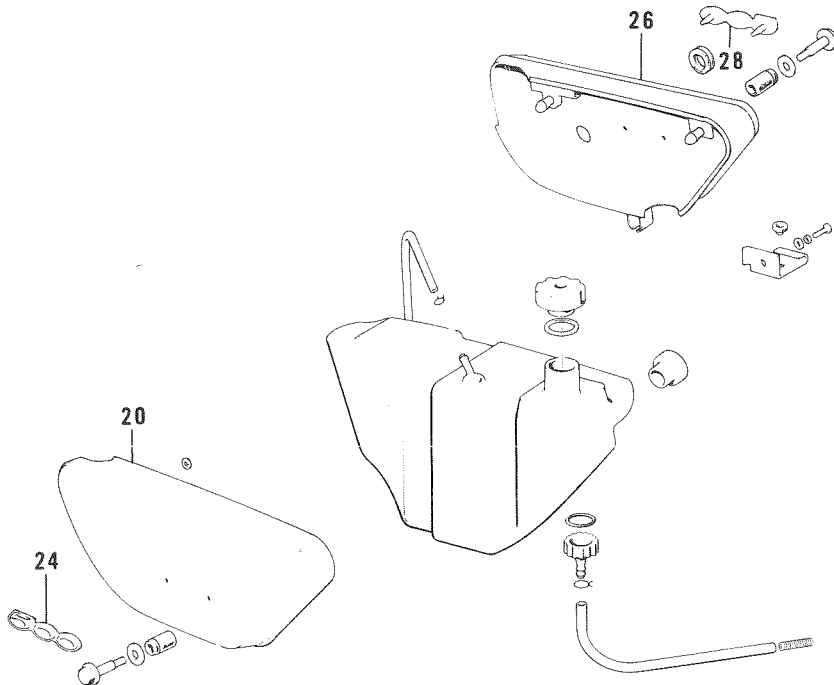
20. Disc Brake Equipment A

Ref. No.	Part No.	Part Name	Quantity	Remarks
1	43015-009	CYLINDER ASSY, master	1	
25	43069-001	DUST COVER	1	
29	43059-010	HOSE, master cylinder brake	1	
34	43060-007	PIPE, bridge	1	
35	43053-003	RING, seal	1	
36	43079-001	"O" RING	1	

24. Fuel Tank



25. Oil Tank, Side Cover, Chain Cover, Chain



24. Fuel Tank

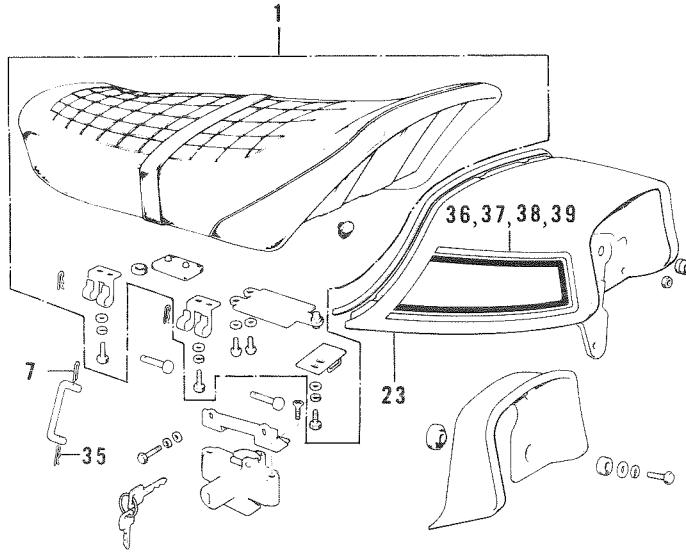
Ref. No.	Part No.	Part Name	Quantity	Remarks
1	51001-082-2W	TANK, fuel, Candytone Sky Blue	1	
	51001-082-2X	TANK, fuel, Candytone Gold	1	
2	51048-007	CAP ASSY, fuel tank	1	
3	51059-008	GASKET, fuel tank cap	1	
4	92043-091	PIN, hook	1	
5	51053-003	SPRING, hook	1	
6	51063-002	HOOK	1	
7	92043-096	PIN, fuel tank cap fitting	2	2.5 ϕ x28m/m
12	51023-040	COCK ASSY, fuel	1	
22	*56027-270-SP	DECAL, fuel tank, L.H.	1	} Use for Candytone Sky Blue
23	*56027-271-SP	DECAL, fuel tank, R.H.	1	
24	*56027-266-SP	DECAL, fuel tank, L.H.	1	} Use for Candytone Gold
25	*56027-267-SP	DECAL, fuel tank, R.H.	1	

* Special solution is required for these transfer type marks.

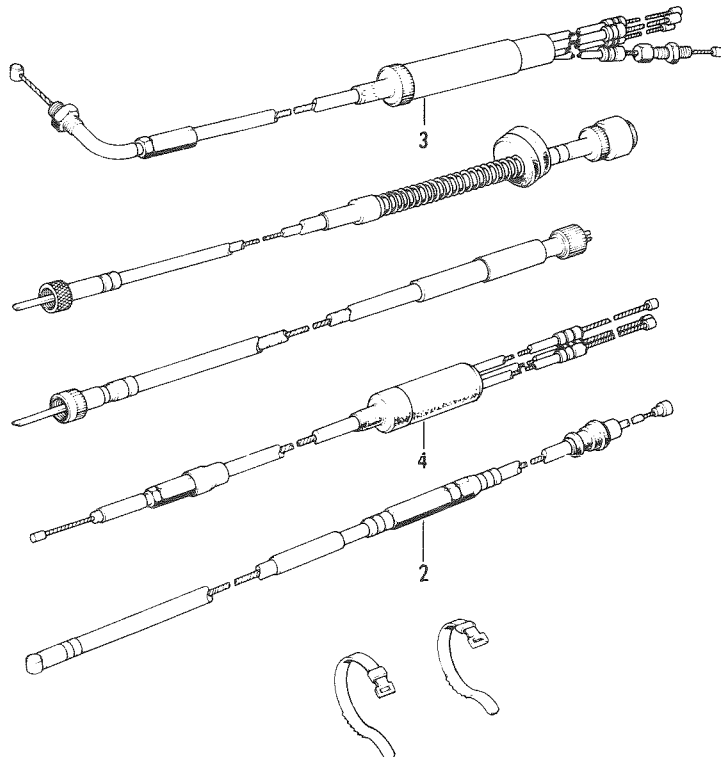
25. Oil Tank, Side Cover, Chain Cover, Chain

Ref. No.	Part No.	Part Name	Quantity	Remarks
20	36001-037-2W	COVER, L.H. side, Candytone Sky Blue	1	
	36001-037-2X	COVER, L.H. side, Candytone Gold	1	
24	56018-195	EMBLEM, L.H. side cover	1	
26	36007-032-2W	COVER, R.H. side, Candytone Sky Blue	1	
	36007-032-2X	COVER, R.H. side, Candytone Gold	1	
28	56018-196	EMBLEM, R.H. side cover	1	
29		Not required for H1-F Model		

26. Dual Seat



27. Cables



26. Dual Seat

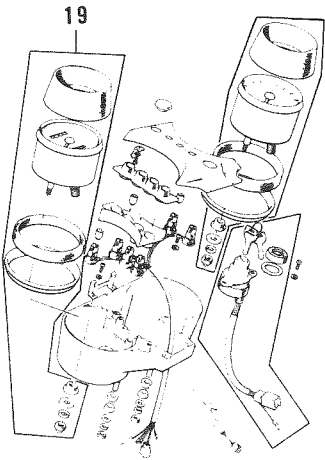
Ref. No.	Part No.	Part Name	Quantity	Remarks
1	53001-098	SEAT ASSY, dual	1	
7	550D1615	PIN, cotter, 1.6 x 15	1	
23	53043-006-2W	BACK REST, Candytone Sky Blue	1	
	53043-006-2X	BACK REST, Candytone Gold	1	
35	92041-003	PIN, cotter	1	
36	*56027-239-SP	DECAL, back rest	1	} Use for Candytone Gold
37	*56027-240-SP	DECAL, back rest	1	
38	*56027-260-SP	DECAL, back rest	1	} Use for Candytone Sky Blue
39	*56027-261-SP	DECAL, back rest	1	

* Special solution is required for these transfer type marks.

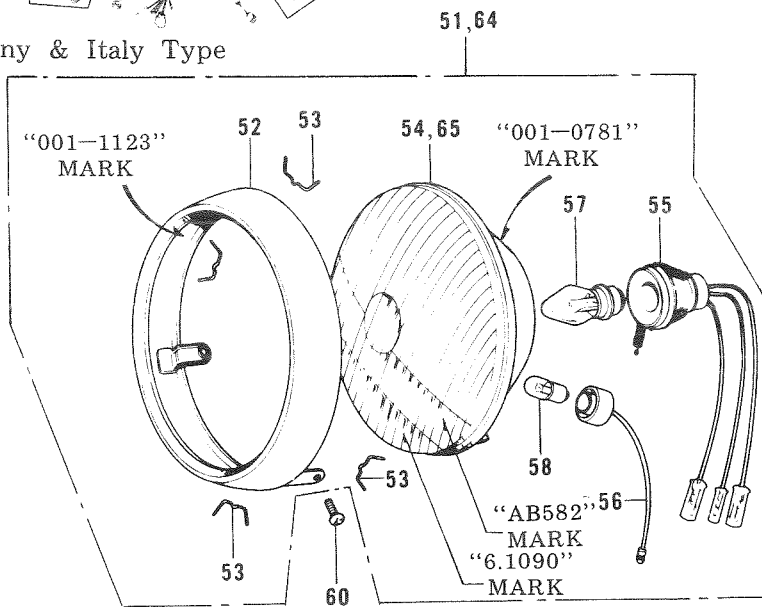
27. Cables

Ref. No.	Part No.	Part Name	Quantity	Remarks
2	54011-050	CABLE, clutch	1	
3	54012-055	CABLE, combination	1	
4	54017-054	CABLE, starter	1	

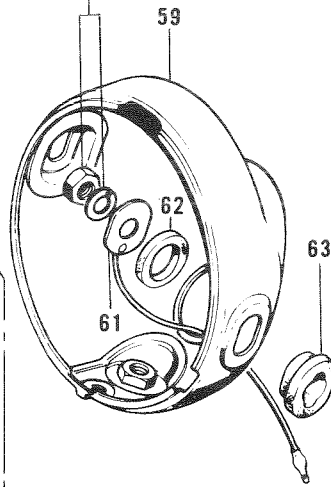
28. Electrical Equipment A



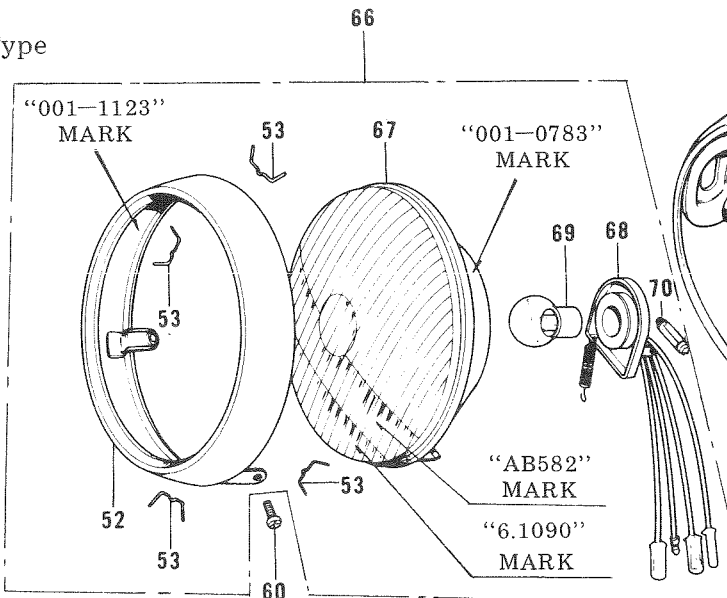
Germany & Italy Type



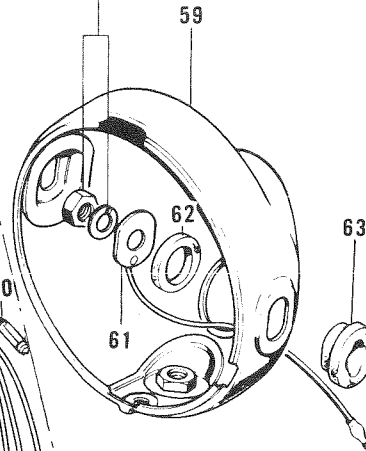
Ref : Turn Signal Lamp



French Type



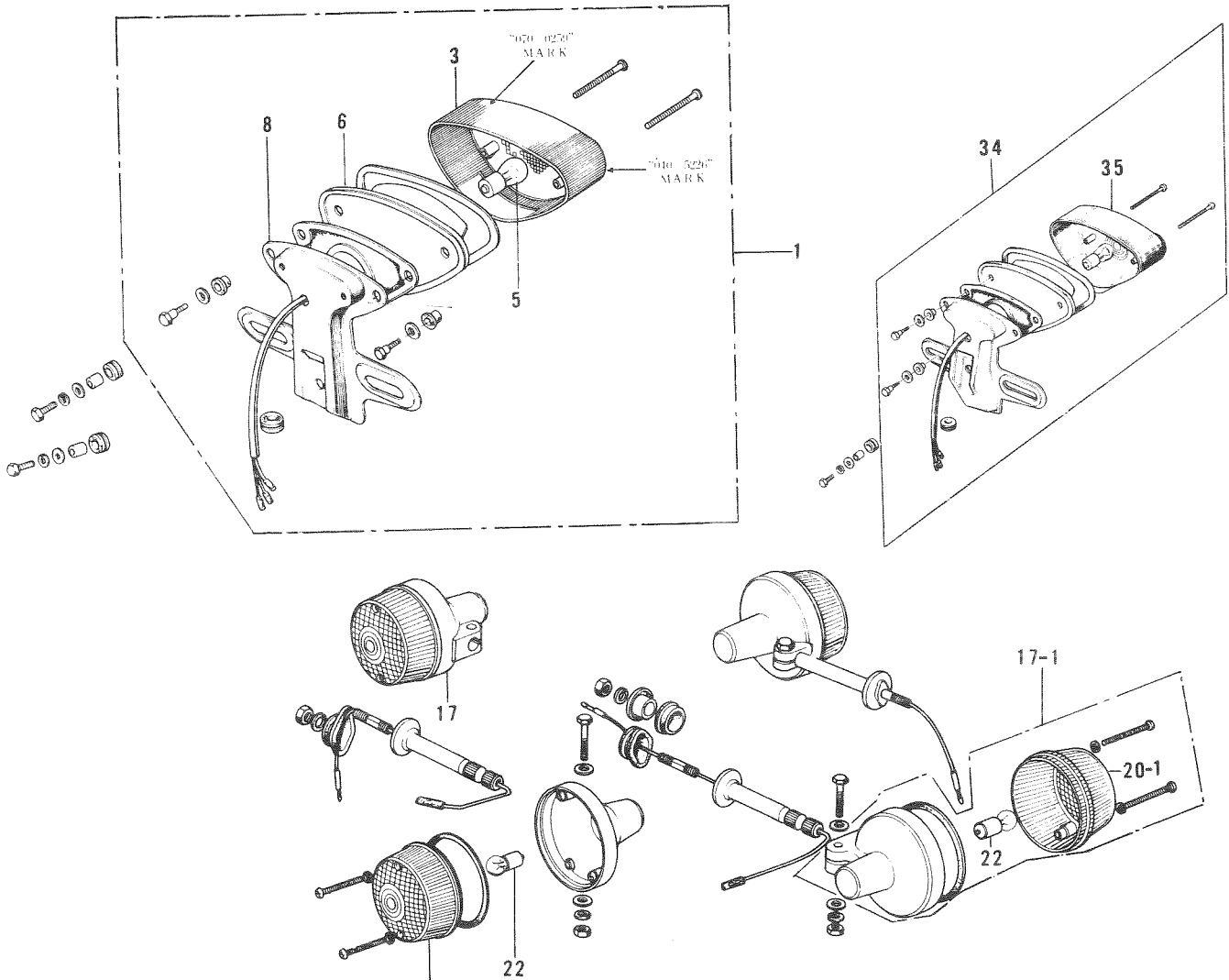
Ref : Turn Signal Lamp



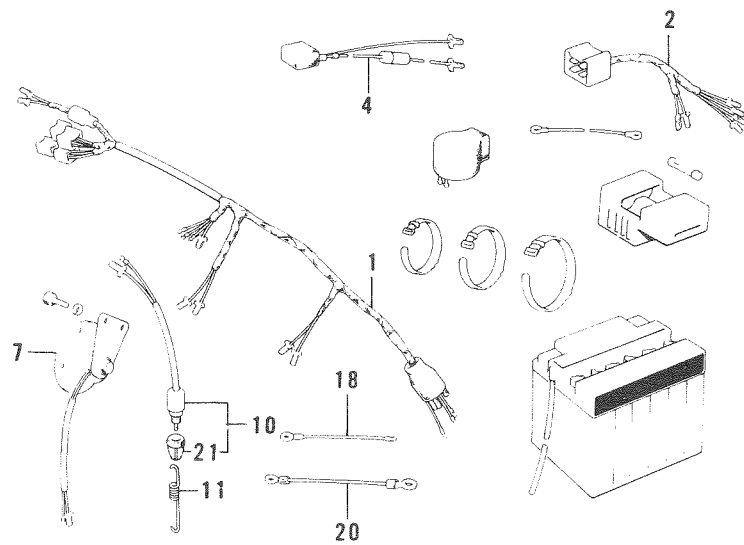
28. Electrical Equipment A

Ref. No.	Part No.	Part Name	Quantity	Remarks
19	25005-122	SPEEDOMETER ASSY, MPH	1	
	25005-111	SPEEDOMETER ASSY, KPH	1	
51	23004-043	LAMP UNIT, head	1	
52	23006-036	RIM, head lamp	1	
53	23009-013	CLAMP, head lamp lens unit	4	
54	23007-042	LENS UNIT, head lamp	1	
55	23008-035	SOCKET, head lamp	1	
56	23008-036	SOCKET, parking lamp	1	
57		BULB, 12V 35/35W	1	} Local Procurement Item
58		BULB, 12V 4W	1	
59	23005-038-21	BODY, head lamp	1	Flat Black
60	23019-022	SCREW, pan head, 5 m/m	2	
61	23076-005	COLLAR SET	2	
62	23066-001	DAMPER RUBBER A	2	
63	23066-005	DAMPER RUBBER B	2	
64	23004-061	LAMP UNIT, head	1	"DGM" MARK
65	23007-064	LENS UNIT, head lamp	1	"DGM" MARK
66	23004-044	LAMP UNIT, head	1	
67	23007-047	LENS UNIT, head lamp	1	
68	23008-034	SOCKET, head lamp	1	
69		BULB, 12V 36/36W	1	} Local Procurement Item
70		BULB, 12V 4W	1	

29. Electrical Equipment B



30. Electrical Equipment C 20



29. Electrical Equipment B

Ref. No.	Part No.	Part Name	Quantity	Remarks
1	23024-031-21	LAMP ASSY, tail	1	Flat Black
3	23026-025	LENS, tail lamp	1	
5		BULB, 12V 21/5W	1	Local Procurement Item
6	23027-033	CASE, tail lamp		
8	23036-024-21	BRACKET, license plate	1	Flat Black
17	23040-045	LAMP ASSY, front turn signal	2	
17-1	23040-046	LAMP ASSY, rear turn signal	2	
20	23048-013	LENS, front turn signal lamp	2	"SAE D71" MARK
20-1	23048-016	LENS, rear turn signal lamp	2	"AU 40 GH" MARK
22	92069-076	BULB, 12V 21W	4	
34	23024-061-21	LAMP ASSY, tail	1	
35	23026-030	LENS, tail lamp	1	"RS-1, E2" MARK

30. Electrical Equipment C

Ref. No.	Part No.	Part Name	Quantity	Remarks
1	26001-117	WIRING HARNESS, main	1	
2	26002-039	WIRING HARNESS, rear L = 410 m/m	1	
	26002-048	WIRING HARNESS, rear L = 425 m/m	1	Use for Germany spec.
4	26004-023	FUSE ASSY	1	
7	27003-067	HORN	1	"DGM" MARK
10	27010-022	SWITCH, brake lamp	1	
11	27011-017	SPRING, brake lamp switch	1	
18	26011-080	WIRE, lead	1	
20	26011-084	WIRE, lead	1	
21	27037-001	NUT, brake lamp switch	1	

Numerical Parts Index

* : Indicates the Newly developed parts for Kawasaki 500 Model H1-F.

Part No.	Page	Q'ty	Part No.	Page	Q'ty
11080612	12	4	* 27003-067	20	1
* 11010-091-10	6	1	27008-055-01	6	1
* 11016-007	6	1	27008-055-02	6	1
13031-049	2	1	27008-055-03	6	1
* 13118-015	2	1	27008-055-04	6	1
13144-030	4		27008-055-05	6	1
13144-035	4		27008-055-06	6	1
13144-036	4	1	27008-055-07	6	1
* 13197-006	2	1	27008-055-08	6	1
* 13231-018	2	1	27008-055-09	6	1
* 18001-162	6	1	27008-055-10	6	1
* 18001-163	6	1	27010-022	20	1
* 18001-164	6	1	* 27011-017	20	1
21130-023	4	3	27016-038	6	1
22080616	2	2	27031-001	6	1
22080616	12	2	27032-001	6	1
23004-043	18	1	27037-001	20	1
23004-044	18	1	28012-012	12	1
23004-061	18	1	28013-008	12	1
23005-038-21	18	1	291Z0625	2	1
23006-036	18	1	310B0500A	12	1
23007-042	18	1	310B0600	12	2
23007-047	18	1	311B0600	2	1
23007-064	18	1	* 32002-114	6	1
23008-034	18	1	* 32002-117	6	1
23008-035	18	1	33035-007	8	2
23008-036	18	1	35022-106	12	1
23009-013	18	4	* 35022-125	12	1
23019-022	18	2	35026-010	12	1
23024-031-21	20	1	35032-023	6	1
23024-061-21	20	1	35032-031	6	1
23026-025	20	1	* 36001-037-2W	14	1
23026-030	20	1	* 36001-037-2X	14	1
23027-033	20		* 36007-032-2W	14	1
23036-024-21	20	1	* 36007-032-2X	14	1
23040-045	20	2	411B0600	12	8
23040-046	20	2	43015-009	12	1
23048-013	20	2	43053-003	12	1
23048-016	20	2	43059-010	12	1
23066-001	18	2	43060-007	12	1
23066-005	18	2	43067-001	10	1
23076-005	18	2	43069-001	12	1
25005-111	18	1	43079-001	12	1
* 25005-122	18	1	44001-131	10	1
26001-117	20	1	* 44001-153	10	1
26002-039	20	1	* 44033-069	10	1
26002-048	20	1	* 44034-069	10	1
26004-023	20	1	44037-053	10	1
26011-080	20	1	* 44037-086	10	1
26011-084	20	1	44041-075	10	1

Numerical Parts Index

* : Indicates the Newly developed parts for Kawasaki 500 Model H1-F.

Part No.	Page	Q'ty	Part No.	Page	Q'ty
44045-038	10	2	92069-070	18	1
45014-097	8	2	92069-071	18	1
46006-012	10	1	92069-072	18	1
46027-015	10	1	* 92069-076	20	4
46091-033	10	1	* 92075-006	6	1
461F0500	12	1	92075-228	12	1
461F0600	12	6	92097-003	6	1
46132-012	10	1			
480J1500	2	1			
* 51001-082-2W	14	1			
* 51001-082-2X	14	1			
* 51023-040	14	1			
51048-007	14	1			
51053-003	14	1			
51059-008	14	1			
51063-002	14	1			
53001-098	16	1			
* 53043-006-2W	16	1			
* 53043-006-2X	16	1			
54011-050	16	1			
54012-055	16	1			
54017-054	16	1			
550D1615	16	1			
56002-020	10	1			
56002-022	10	1			
56003-009	10	1			
56003-014	10	1			
* 56018-195	14	1			
* 56018-196	14	1			
* 56027-239-SP	16	1			
* 56027-240-SP	16	1			
* 56027-260-SP	16	1			
* 56027-261-SP	16	1			
* 56027-266-SP	14	1			
* 56027-267-SP	14	1			
* 56027-270-SP	14	1			
* 56027-271-SP	14	1			
* 600A0400	2	11			
92003-165	8	2			
92007-046	10	1			
92008-007	6	1			
92015-042	8	1			
92019-014	10	1			
92041-003	16	1			
92043-091	14	1			
92043-096	14	1			
* 92050-070	2	1			
* 92056-007	2	1			
92069-063	20	1			
92069-690	18	1			