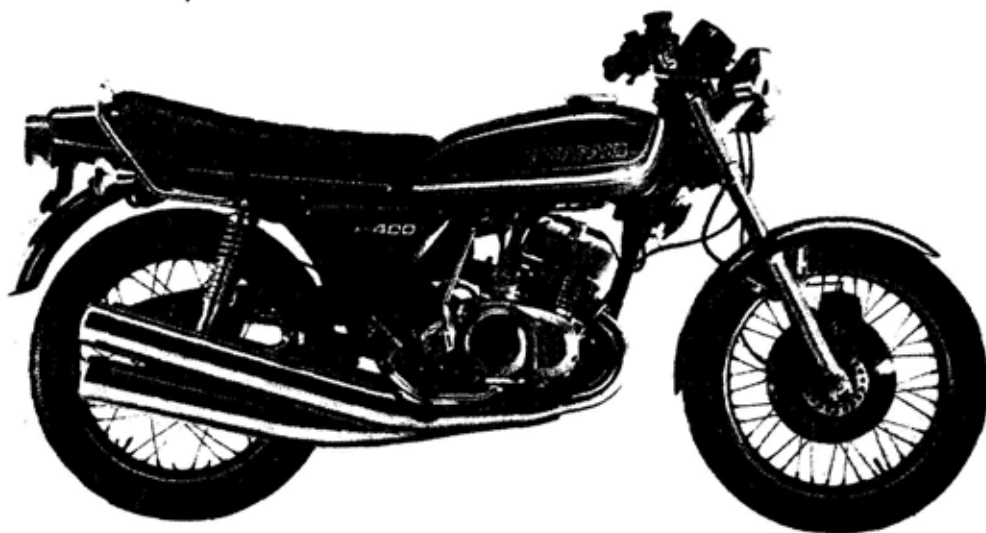
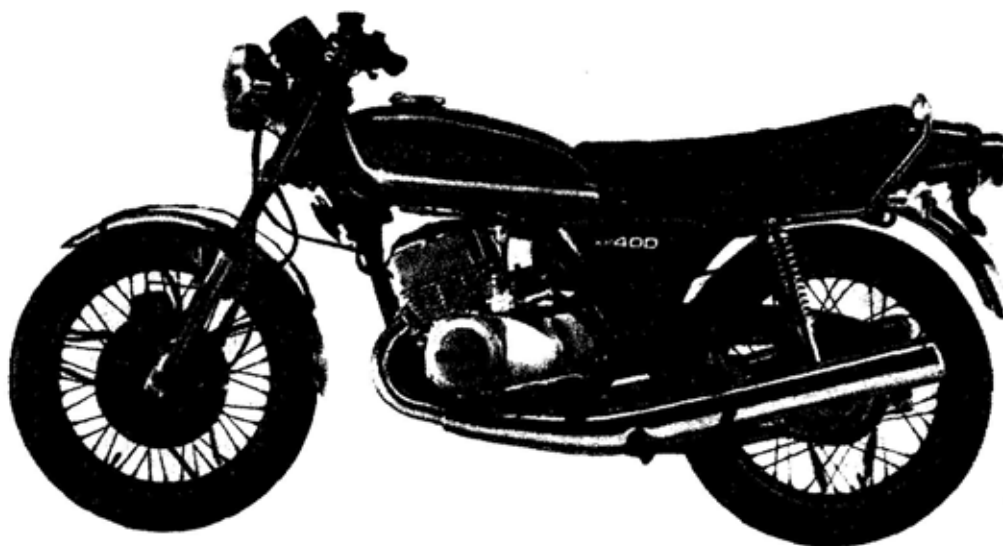


KAWASAKI

PARTS CATALOGUE



Right Side View

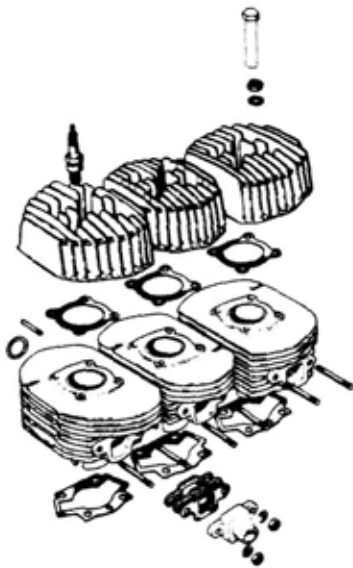


Left Side View

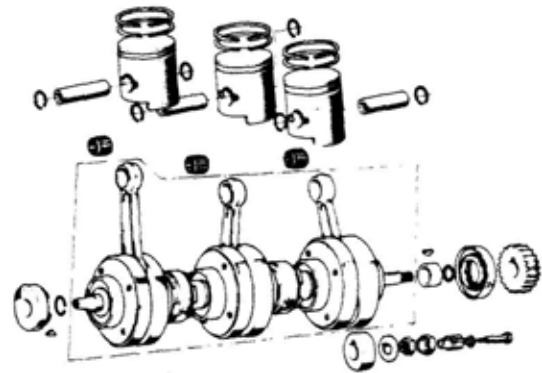
KH400-A3

INDEX

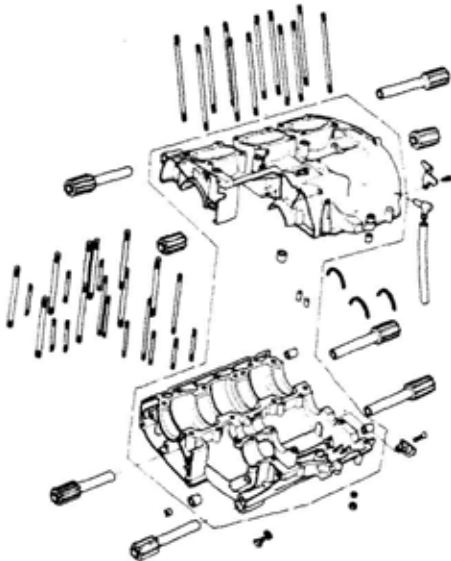
1. Cylinder Head, Cylinder Page 1



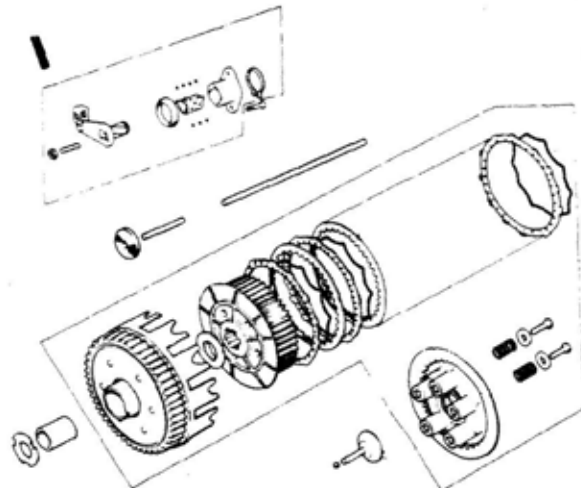
3. Piston , Crankshaft. Page 5



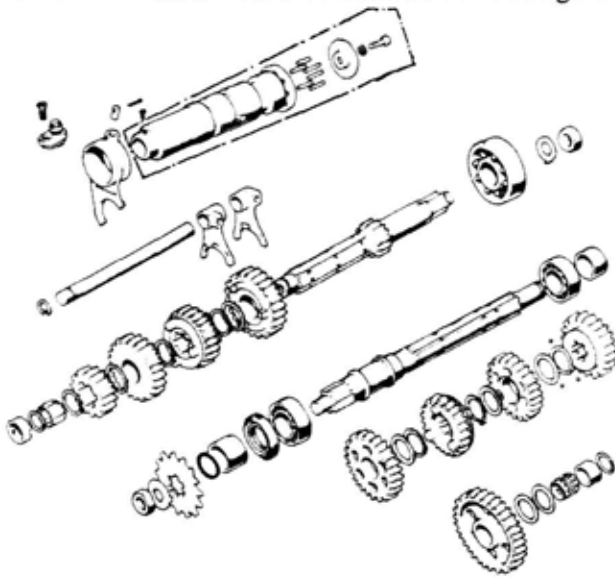
2. Crankcase Page 3



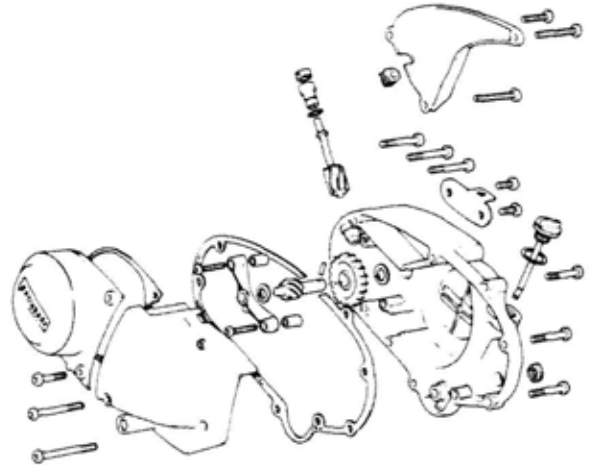
4. Clutch Page 7



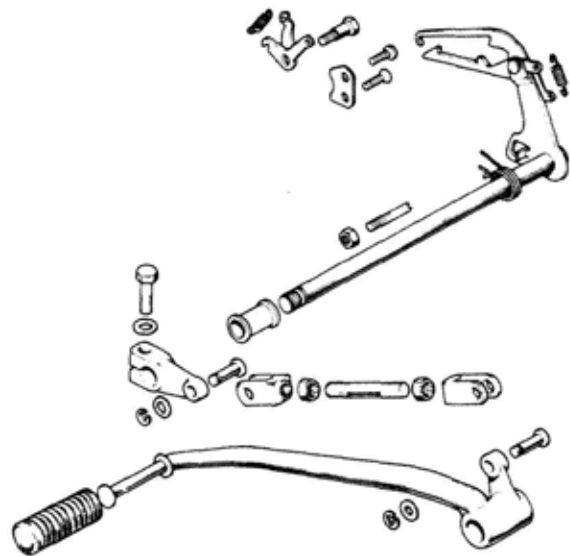
5. Transmission Gears Page 9



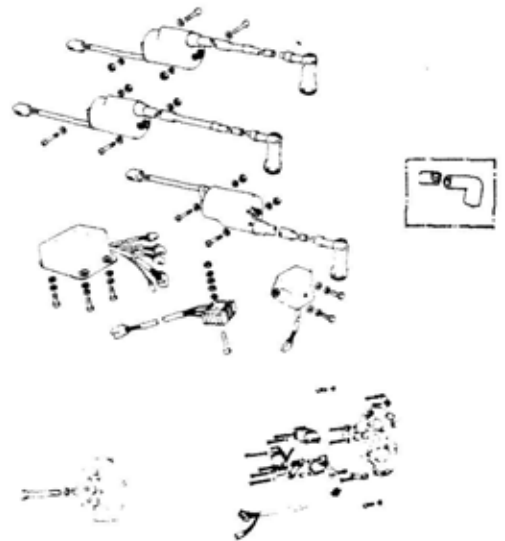
8. Engine Covers Page 17



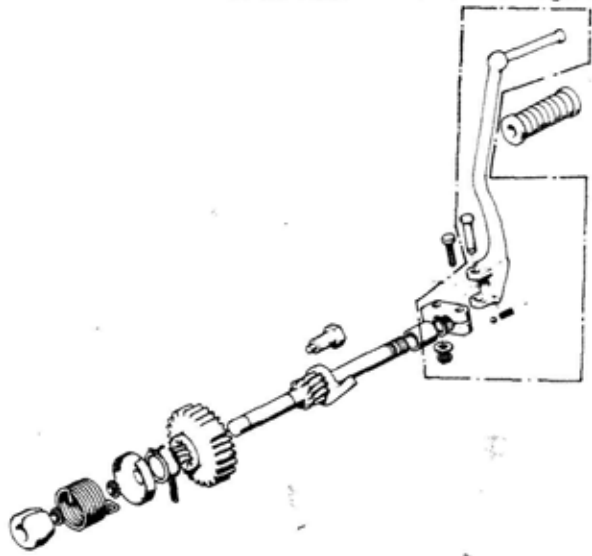
6. Gear Change Mechanism Page 13



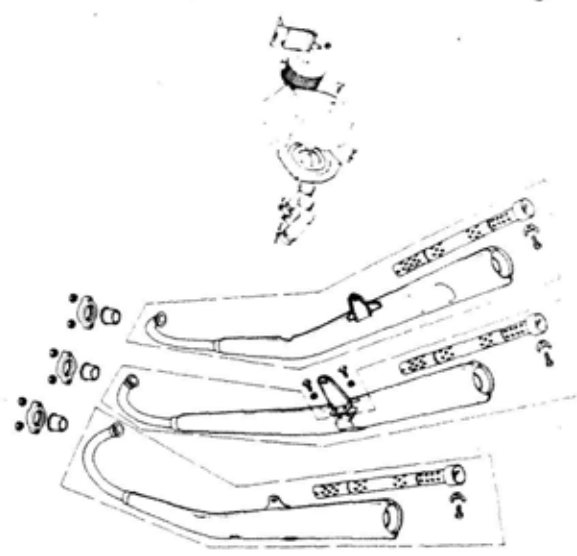
9. Electrical Equipment for Engine . . Page 19



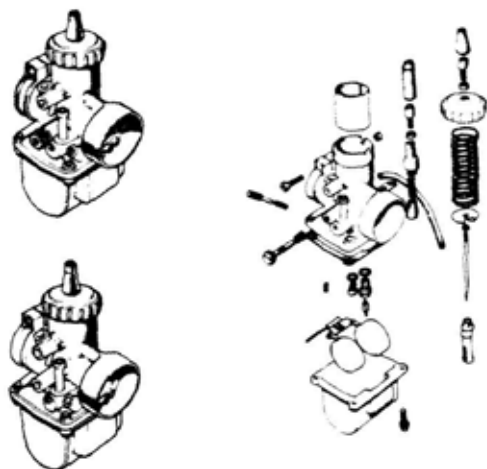
7. Kickstarter Mechanism..... Page 15



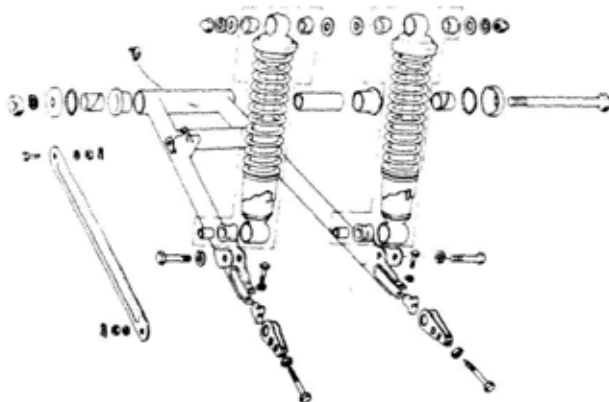
10. Air Cleaner, Mufflers Page 23



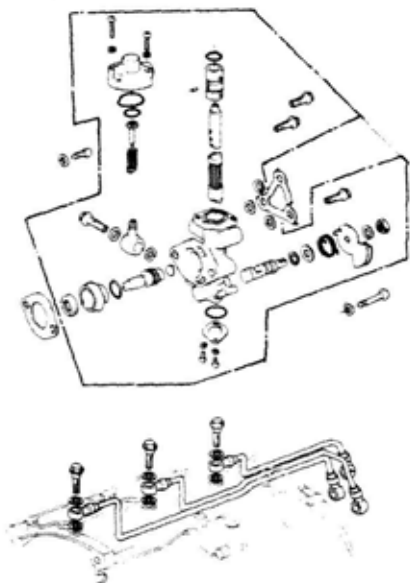
11. Carburetors Page 25



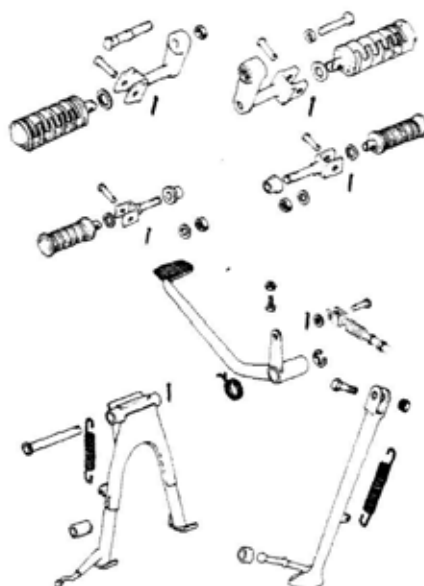
14. Swing Arm, Rear Shock Absorber
. Page 33



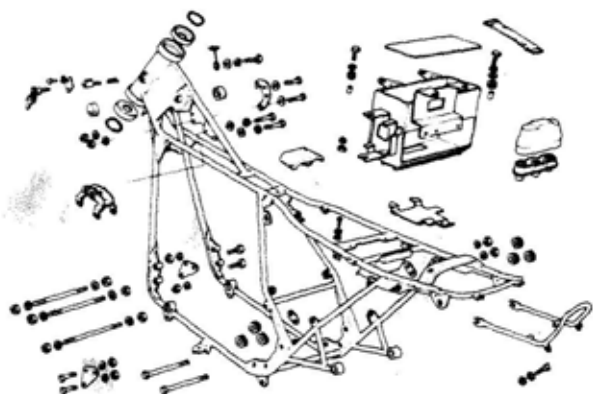
12. Oil Pump Page 27



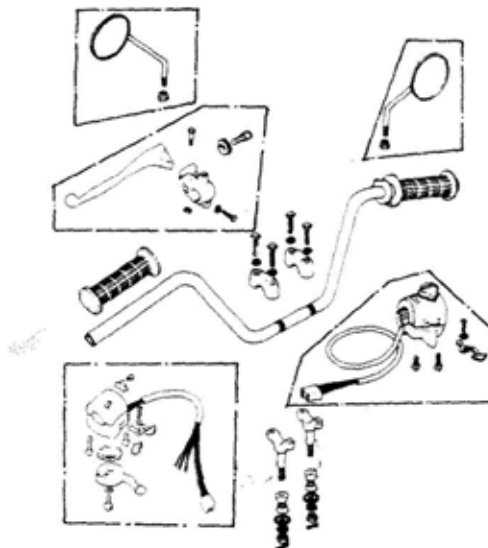
15. Footrests, Stand, Brake Pedal. . . . Page 35



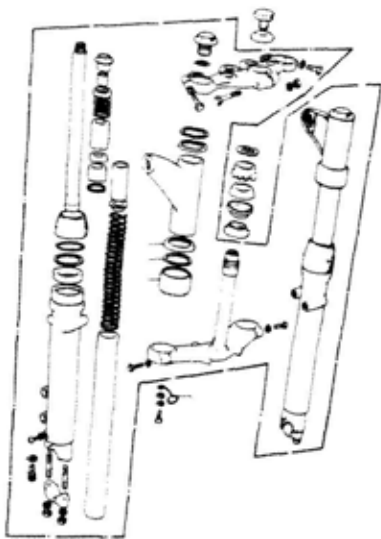
13. Frame Page 29



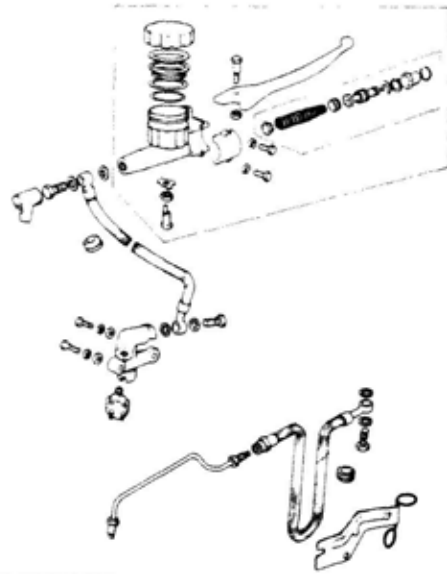
16. Handlebar, Grips Page 37



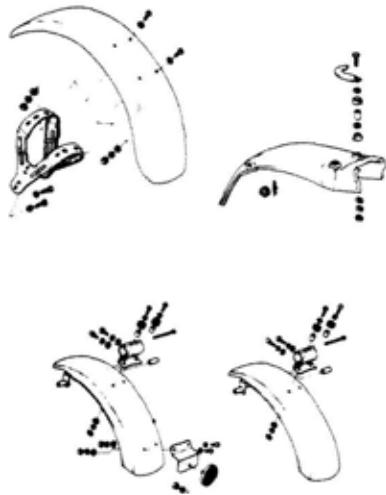
17. Front Fork Page 41



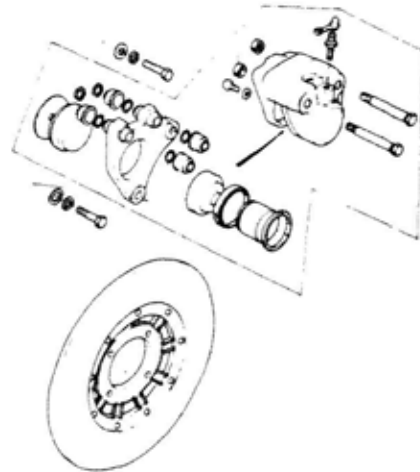
20. Disc Brake Equipment A Page 51



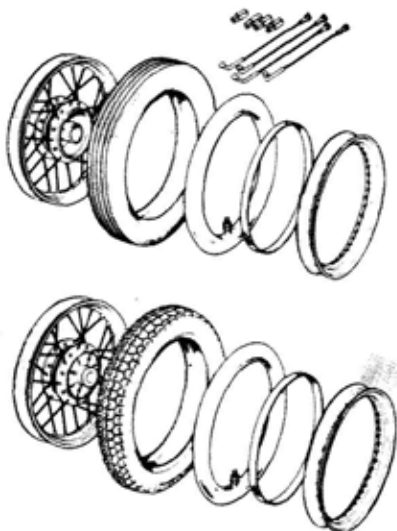
18. Fenders Page 45



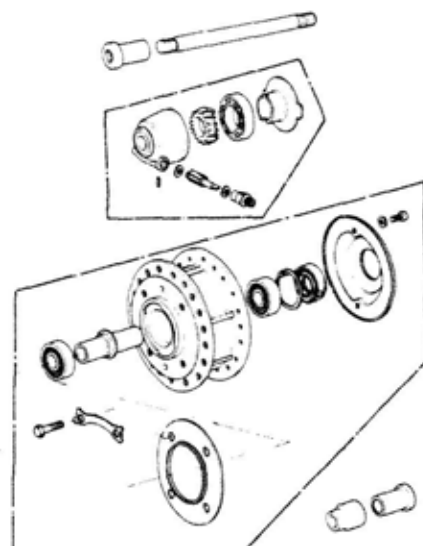
21. Disc Brake Equipment B Page 53



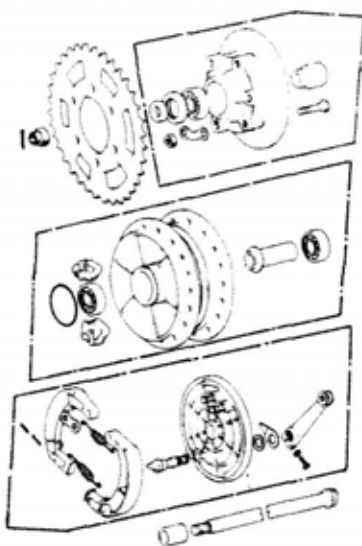
19. Wheels Page 49



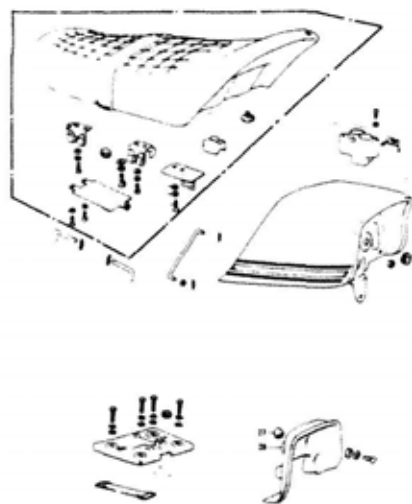
22. Front Hub Page 55



23. Rear Hub Page 57



26. Dual Seat Page 63



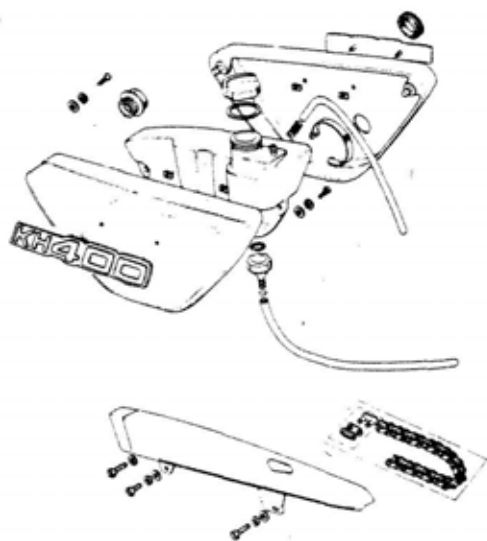
24. Fuel Tank Page 59



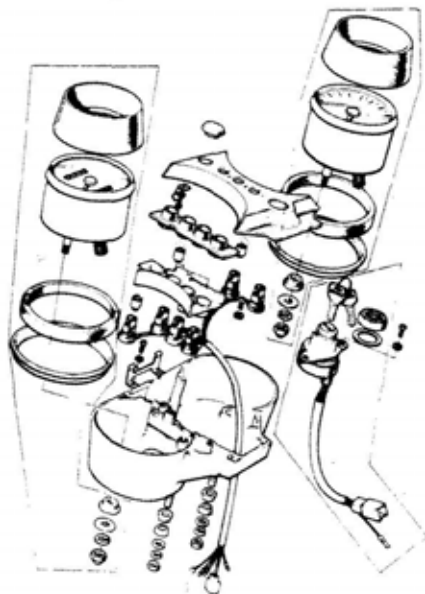
27. Cables Page 67



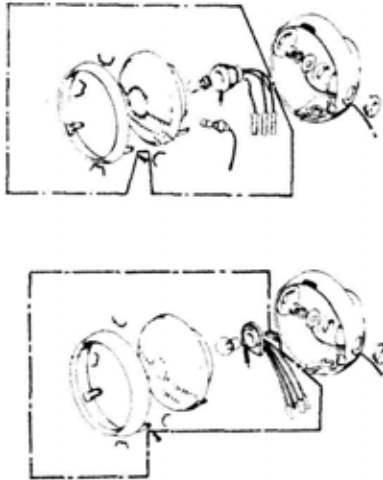
25. Oil Tank, Side Cover, Chain Cover . Page 61



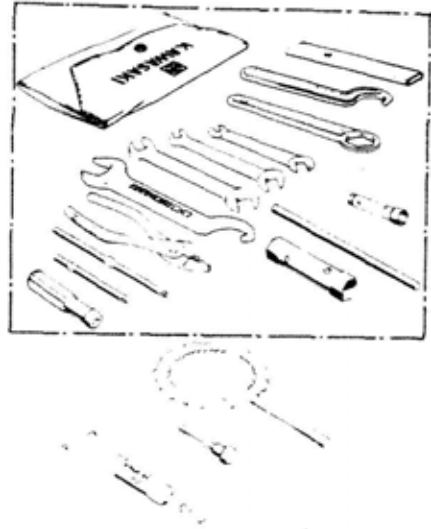
28. Electrical Equipments A Page 69



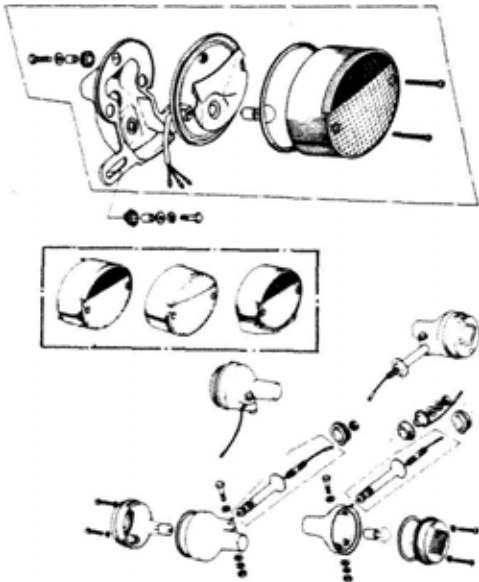
29. Electrical Equipment B Page 71



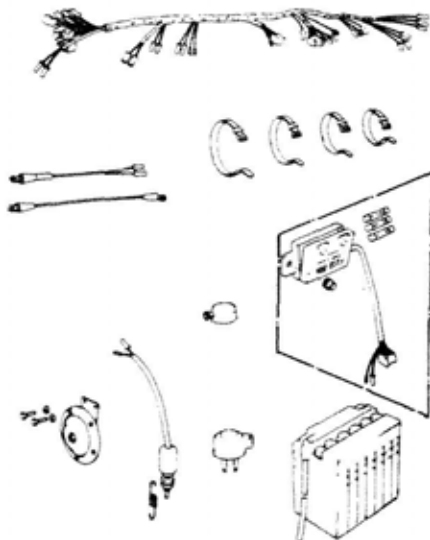
32. Tools, Optional Parts Page 77



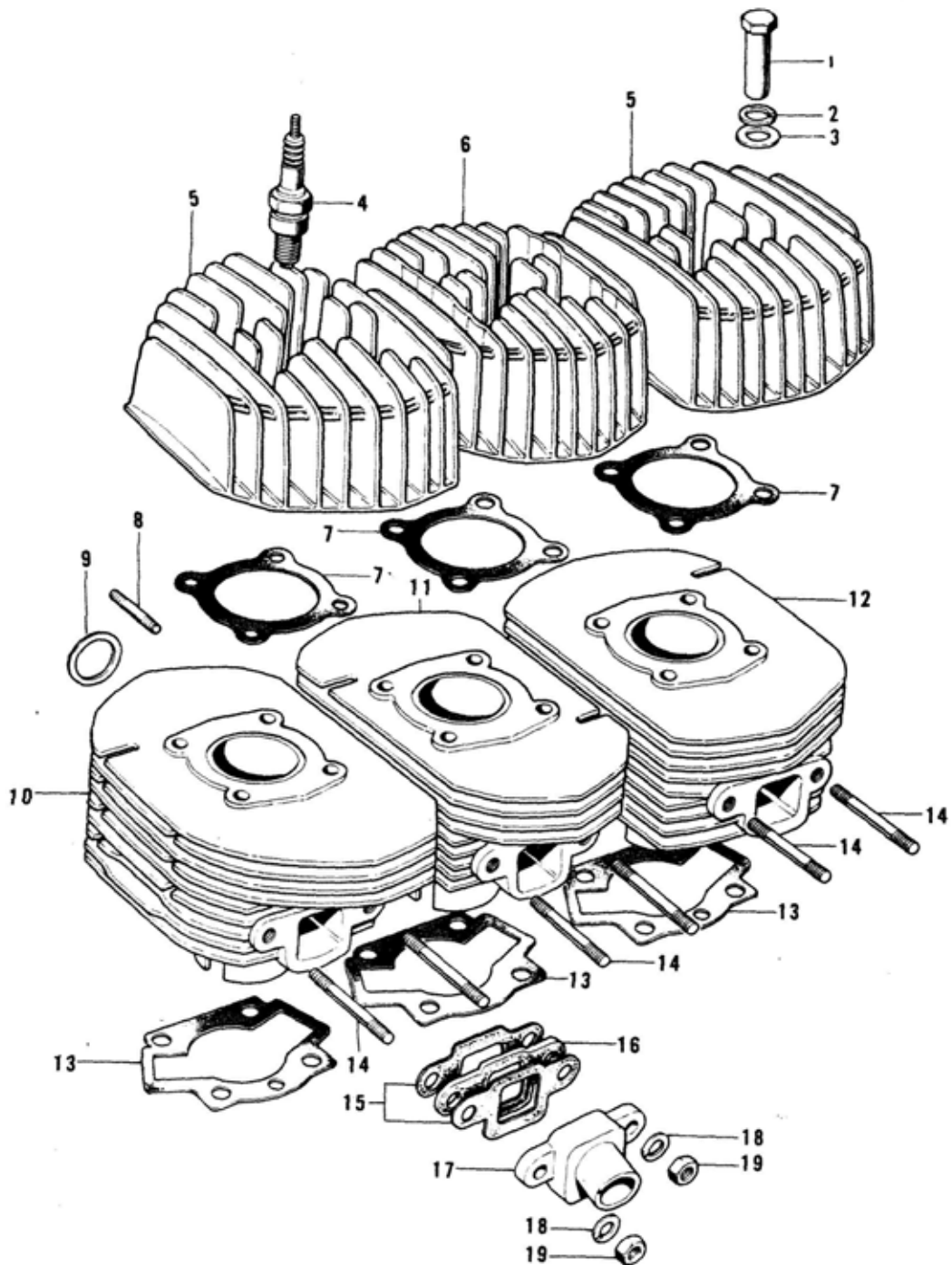
30. Electrical Equipment C Page 73



31. Electrical Equipment D Page 75



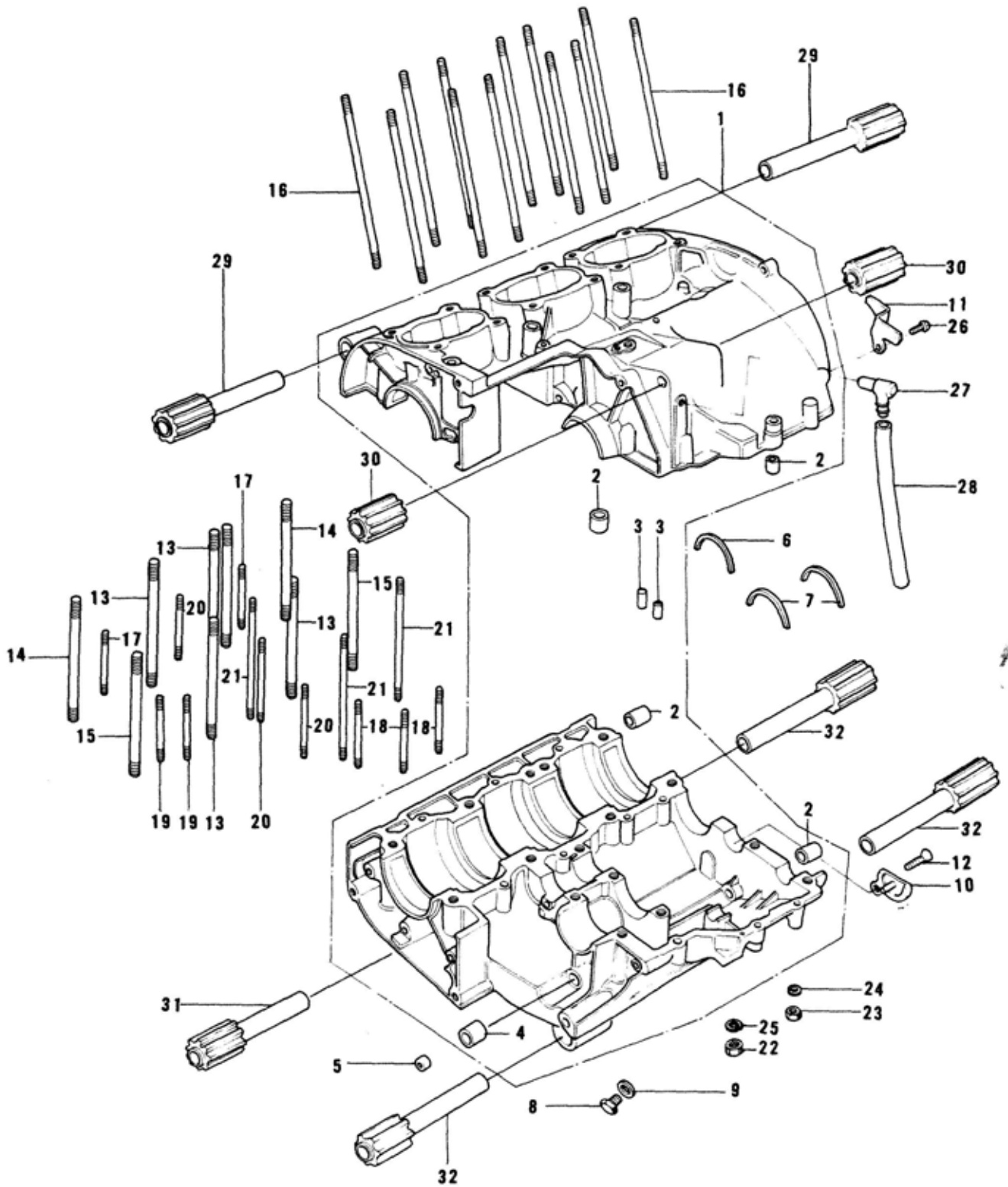
1. Cylinder Head, Cylinder



1. Cylinder Head, Cylinder

Ref. No.	Part No.	Part Name	Quantity	Remarks
1	92015-020	NUT, 8 m/m	12	
2	460E1200	WASHER, spring, 12 m/m	12	
3	92022-072	WASHER, plain, 12 m/m	12	
4	92070-005	SPARK PLUG, B-8HS	3	
5	11001-086-2H	CYLINDER HEAD, L.H. & R.H.	2	Barrel
6	11001-087-2H	CYLINDER HEAD, Center	1	Barrel
7	11004-061	GASKET	3	
8	172G0835	STUD, 8 x 35	6	
9	18067-008	GASKET, exhaust pipe	3	
10	11005-125-2H	CYLINDER, L.H.	1	Barrel
11	11005-126-2H	CYLINDER, Center	1	Barrel
12	11005-127-2H	CYLINDER, R.H.	1	Barrel
13	11009-036	GASKET, cylinder base	3	
14	172G0820	STUD, 8 x 20	6	
15	16062-014	GASKET, air inlet	6	
16	16061-012	INSULATOR, heat	3	
17	16060-012	INLET PIPE	3	
18	460E0800	WASHER, spring, 8 m/m	6	
19	310B0800	NUT, 8 m/m	6	

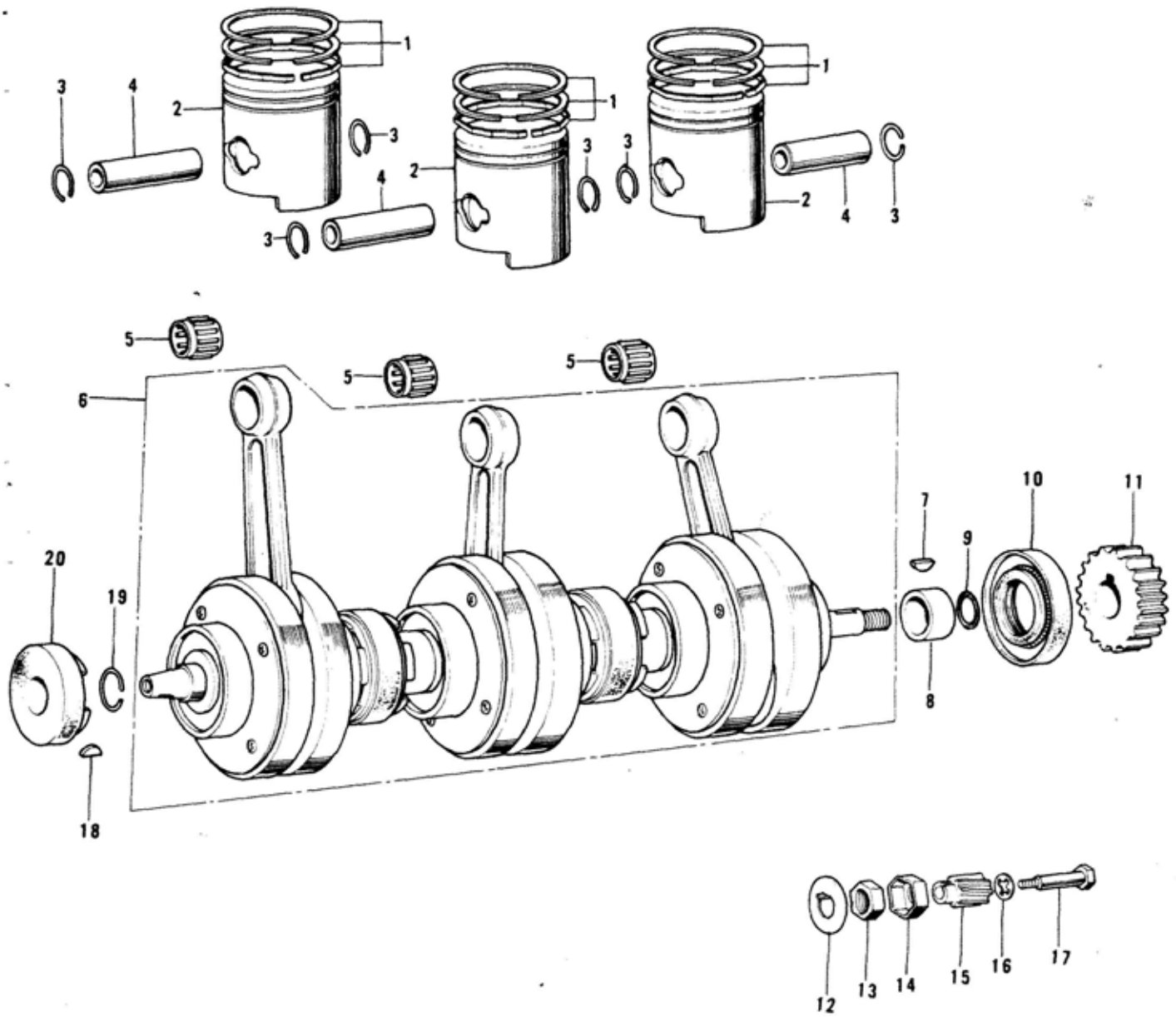
2. Crankcase



2. Crankcase

Ref. No.	Part No.	Part Name	Quantity	Remarks
1	14001-075	CRANKCASE SET	1	
2	552A1014	DOWEL PIN, 10 x 14	4	
3	92042-016	DOWEL PIN, 6 m/m	3	
4	92028-071	BUSHING, gear change pedal shaft	1	
5	92049-004	OIL SEAL, SB12205	1	
6	14013-013	RING, bearing setting	1	
7	14013-004	RING, bearing setting	2	
8	92067-001	PLUG, oil drain	1	
9	92065-011	GASKET, oil drain plug	1	
10	14015-001	RECEIVER, oil	1	
11	14015-003	RECEIVER, oil	1	
12	221B0616	SCREW, countersunk head, 6 x 16	1	
13	172G1055	STUD, 10 x 55	4	
14	172G1070	STUD, 10 x 70	2	
15	172G1080	STUD, 10 x 80	2	
16	172G0865	STUD, 8 x 65	12	
17	172G0622	STUD, 6 x 22	2	
18	172G0635	STUD, 6 x 35	3	
19	172G0645	STUD, 6 x 45	2	
20	172G0650	STUD, 6 x 50	3	
21	172G0665	STUD, 6 x 65	3	
22	316B1000	NUT, 10 m/m	8	
23	310B0600	NUT, 6 m/m	13	
24	461E0600	WASHER, spring, 6 m/m	13	
25	460E1000	WASHER, spring, 10 m/m	8	
26	220B0610	SCREW, pan head, 6 x 10	1	
27	14069-003	BREATHER, crankcase	1	
28	92059-061	PIPE, breather	1	
29	14017-002	ABSORBER, front upper	2	
30	14017-004	ABSORBER, rear upper	2	
31	14017-009	ABSORBER, front lower	1	
32	14017-003	ABSORBER, rear lower	3	

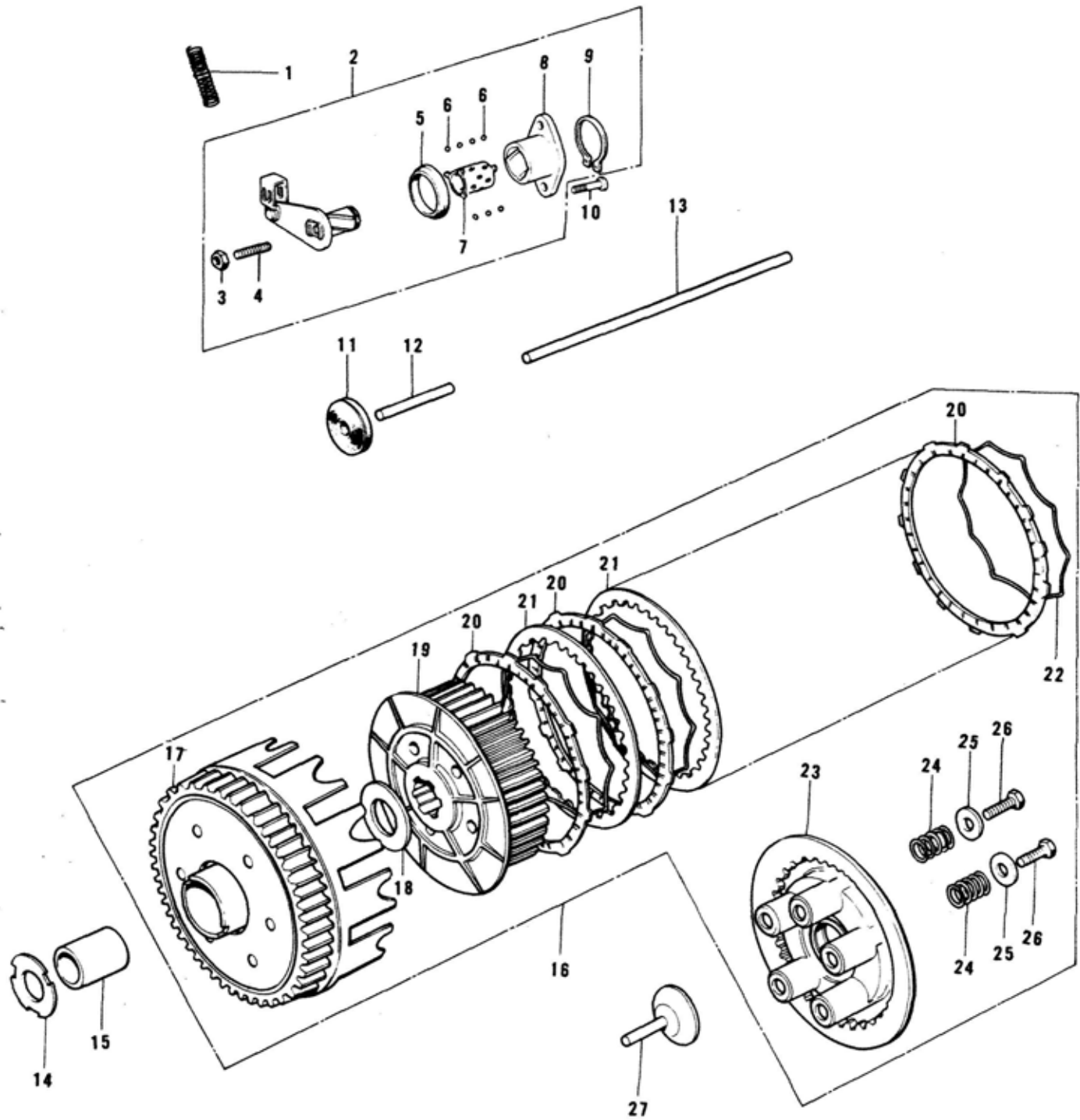
3. Piston, Crankshaft



3. Piston, Crankshaft

Ref. No.	Part No.	Part Name	Quantity	Remarks
1	13008-049	RING SET, piston STD	3	
	13025-053	RING SET, piston, 0.020" over size	(3)	Option
	13024-054	RING SET, piston, 0.040" over size	(3)	Option
2	13001-071	PISTON, STD	3	
	13029-062	PISTON, 0.020" over size	(3)	Option
	13027-060	PISTON, 0.040" over size	(3)	Option
3	92036-005	CIRCLIP, piston pin	6	
4	13002-025	PIN, piston	3	
5	13033-007	NEEDLE BEARING, small end	3	KTV151919
6	13031-040	CRANK & CONROD ASSY	1	
7	92038-015	WOODRUFF KEY	1	
8	92027-031	COLLAR, crankshaft	1	
9	92055-018	"O" RING	1	
10	92050-052	OIL SEAL, TC326210	1	
11	13121-025	PINION, primary	1	27T
12	92024-067	WASHER, lock, 18 m/m	1	
13	92015-019	NUT, 18 m/m	1	
14	92024-021	WASHER, lock	1	
15	16084-014	PINION, oil pump	1	
16	463H0600	WASHER, lock, 6 m/m	1	
17	92003-068	BOLT, oil pump pinion	1	
18	92038-001	WOODRUFF KEY	1	
19	92036-013	CIRCLIP	1	
20	92050-041	OIL SEAL, TCY256210	1	

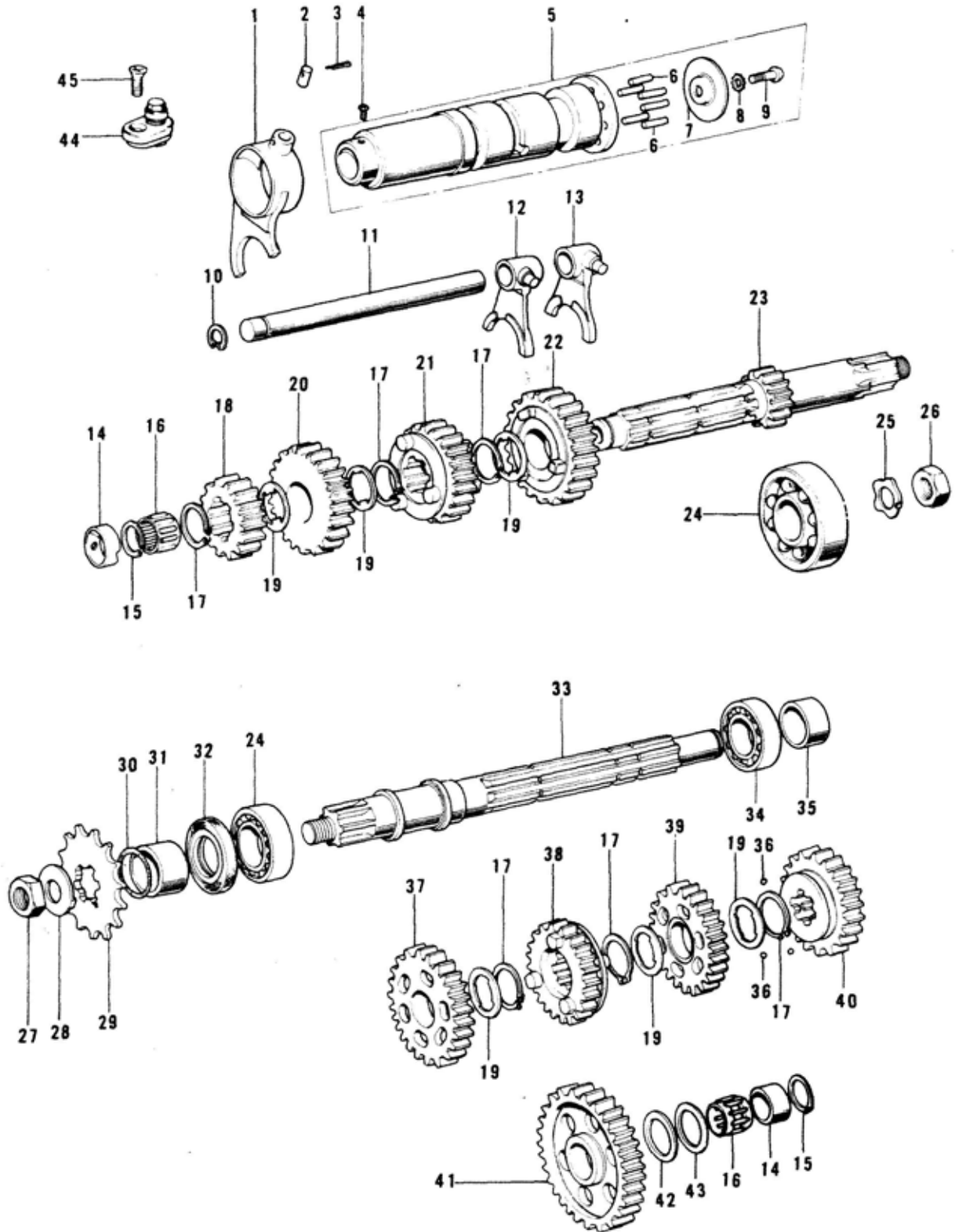
4. Clutch



4. Clutch

Ref. No.	Part No.	Part Name	Quantity	Remarks
1	92081-096	SPRING, clutch release	1	
2	13231-018	RELEASE ASSY, clutch	1	
3	311B0600	NUT, 6m/m	1	
4	291Z0625	SCREW, slotted, 6 x 25	1	
5	92056-007	OIL SEAL	1	
6	600A0400	BALL, steel, 1/8"	11	
7	13197-006	RETAINER	1	
8	13118-015	OUTER, clutch, release	1	
9	480J1500	CIRCLIP, 15m/m	1	
10	220B0616	SCREW, pan head, 6 x 16	2	
11	92050-040	OIL SEAL	1	
12	13116-010	ROD, clutch push	1	L=49m/m
13	13116-019	ROD, clutch push	1	L=167.5m/m
14	92022-119	WASHER, thrust	1	
15	92028-045	BUSHING, clutch	1	
16	13081-067	CLUTCH ASSY	1	
17	13095-039	HOUSING, clutch	1	
18	92022-189	WASHER, thrust	1	
19	13087-036	HUB, clutch	1	
20	13088-025	PLATE, clutch friction	7	
21	13089-003	PLATE, clutch steel	6	
22	13229-002	RING, clutch steel	7	
23	13187-004	PLATE, clutch spring	1	
24	92081-095	SPRING, clutch	5	
25	92022-167	HOLDER, clutch spring	5	
26	92003-078	BOLT, hex head, 5 x 18	5	
27	13116-016	PUSHER, clutch spring plate	1	

5. Transmission Gears (1/2)



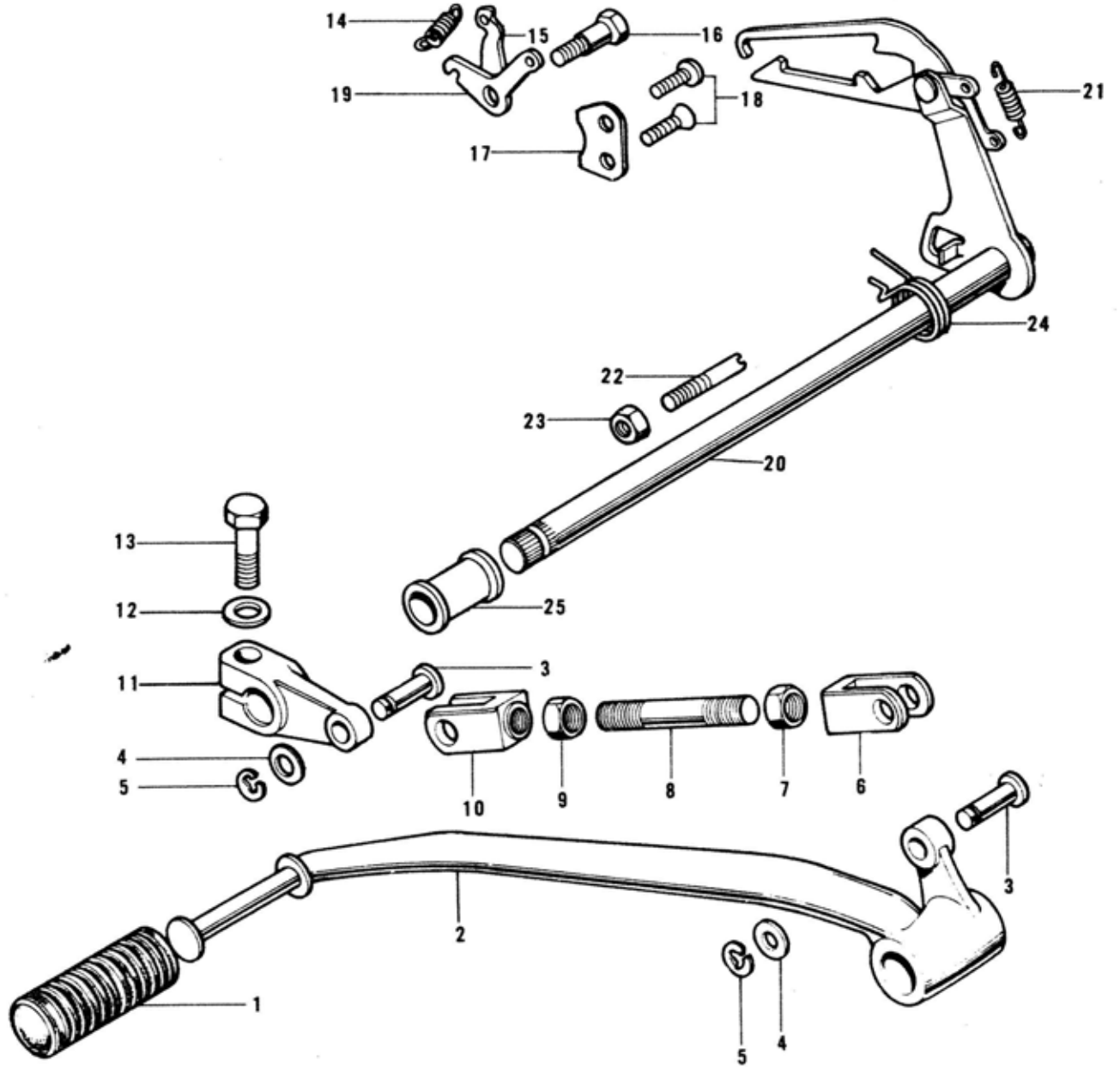
5. Transmission Gears (1/2)

Ref. No.	Part No.	Part Name	Quantity	Remarks
1	13140-037	SELECTOR FORK, 4TH & TOP	1	
2	92042-021	PIN, selector fork guide	1	
3	550D3020	PIN, cotter, 3.0 x 20	1	
4	211B0406A	SCREW, pan head, 4 x 6	1	
5	13239-003	DRUM ASSY, gear change	1	
6	92042-014	PIN, gear change drum	6	
7	13142-008	PLATE, gear change drum	1	
8	464H0600	WASHER, lock, 6 m/m	1	
9	220B0614	SCREW, pan head, 6 x 14	1	
10	482J0100	CIRCLIP, 10 m/m	1	
11	13209-006	ROD, shift	1	
12	13140-054	SELECTOR FORK, 2ND & 3RD	1	
13	13140-053	SELECTOR FORK, LOW	1	
14	92028-043	BUSHING	2	
15	92033-009	CIRCLIP, 17 m/m	2	
16	92046-005	NEEDLE BEARING	2	
17	92033-025	CIRCLIP, 25 mm/m	6	
18	13130-028	2ND GEAR, drive shaft	1	19T
19	92024-034	WASHER, lock	6	t=1.0m/m
20	13136-038	TOP GEAR, drive shaft	1	27T
21	13132-027	3RD GEAR, drive shaft	1	23T
22	13134-013	4TH GEAR, drive shaft	1	25T
23	13127-034	SHAFT, drive	1	14T
24	92045-010	BALL BEARING, BALL BEARING, #6205NX3C3	2	
25	92024-046	WASHER, lock	1	
26	315B1400	NUT, 14 m/m	1	
27	92015-019	NUT, 18 m/m	1	
28	92024-067	WASHER, lock, 18 m/m	1	
29	13144-030	ENGINE SPROCKET, 15T	1	STD
	13144-035	ENGINE SPROCKET, 14T	(1)	} Option
	13144-036	ENGINE SPROCKET, 16T	(1)	
30	92055-035	"O" RING	1	
31	92026-027	COLLAR, engine sprocket	1	
32	92050-024	OIL SEAL, SC325210	1	
33	13128-031	SHAFT, output	1	

5. Transmission Gear (2/2)

Ref. No.	Part No.	Part Name	Quantity	Remarks
34	601B6005	BALL BEARING #6005	1	
35	92027-135	COLLAR, output shaft	1	
36	600A0500	STEEL BALL, 5/32"	3	
37	13131-034	2ND GEAR, output shaft	1	34T
38	13137-022	TOP GEAR, output shaft	1	26T
39	13133-027	3RD GEAR, output shaft	1	31T
40	13135-017	4TH GEAR, output shaft	1	28 T
41	13129-038	LOW GEAR, output shaft	1	40T
42	92026-021	WASHER, thrust	1	Phosphor-Bronze
43	92022-075	WASHER, thrust, 17 m/m	1	
44	13151-021	SWITCH, neutral indicator	1	
45	221B0616	SCREW, pan head, 6 x 16	1	

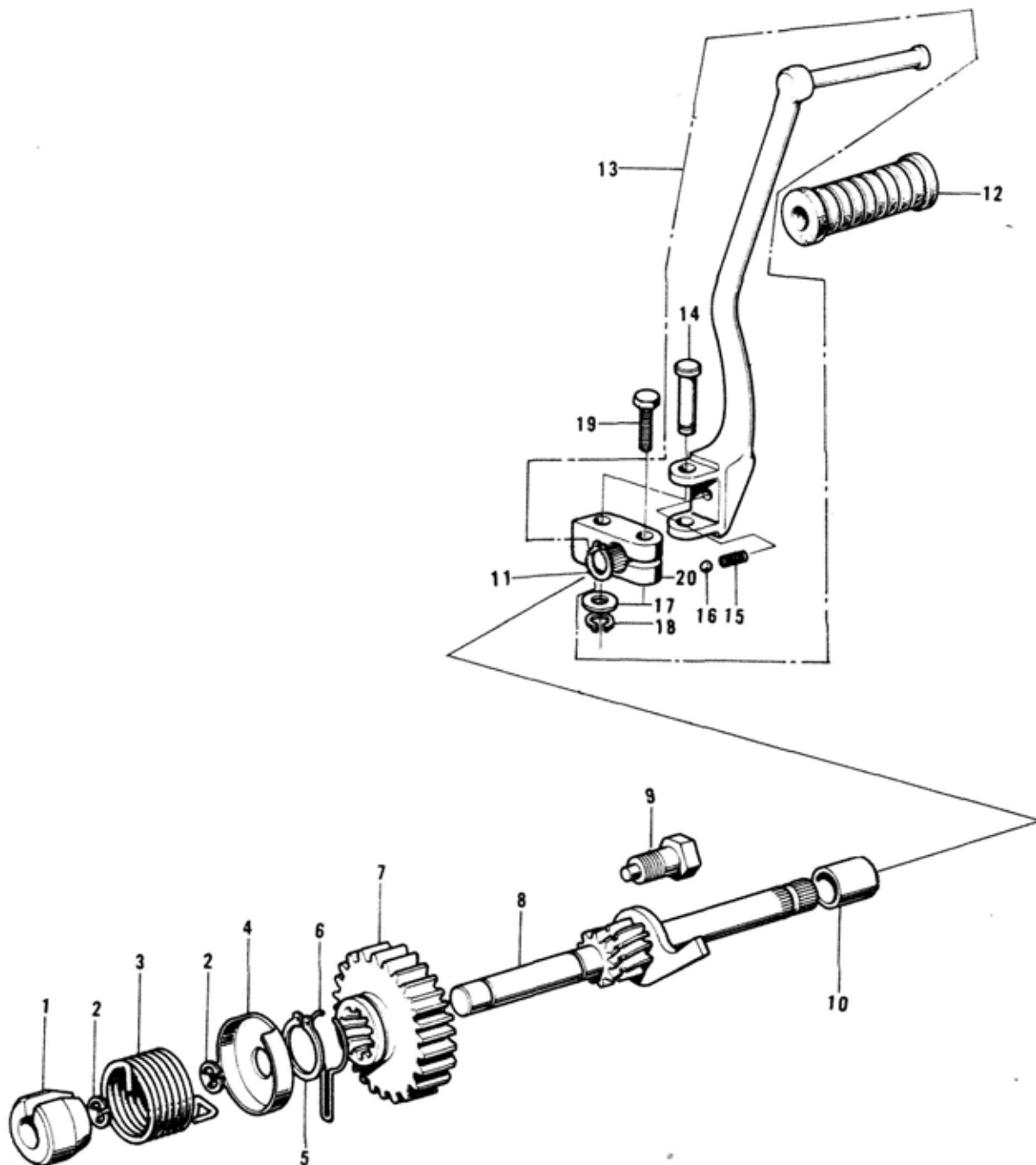
6. Gear Change Mechanism



6. Gear Change Mechanism

Ref. No.	Part No.	Part Name	Quantity	Remarks
1	13157-004	RUBBER, gear change pedal	1	
2	13156-040	PEDAL, gear change	1	
3	92043-069	PIN, joint	2	
4	92022-203	WASHER, plain, 8 m/m	2	
5	482K5000	CIRCLIP, 5 m/m	2	
6	13159-008	JOINT (Counterclock wise-thread)	1	
7	92017-010	NUT, 8 m/m (Counterclock wise-thread)	1	
8	92003-074	ROD, change shaft joint	1	
9	318N0800	NUT, 8 m/m	1	
10	13159-007	JOINT (Clock wise-thread)	1	
11	13158-007	LEVER, gear change pedal	1	
12	461F0800	WASHER, spring, 8 m/m	1	
13	110B0825	BOLT, hex head, 8 x 25	1	
14	92081-091	SPRING, gear change drum lever	1	
15	13170-005	LEVER, gear change drum	1	
16	92011-023	SCREW, gear change drum lever	1	
17	13169-007	PLATE, gear change drum position	1	
18	221B0616	SCREW, countersank head, 6 x 16	2	
19	13236-002	LEVER ASSY, gear change drum return	1	
20	13161-036	LEVER ASSY, gear change	1	
21	92081-011	SPRING, gear change lever	1	
22	92043-009	PIN, gear change pedal return spring	1	
23	312B0800	NUT, 8 m/m	1	
24	92083-002	SPRING, gear change pedal return	1	
25	13171-004	DUST SHIELD, gear change shaft	1	

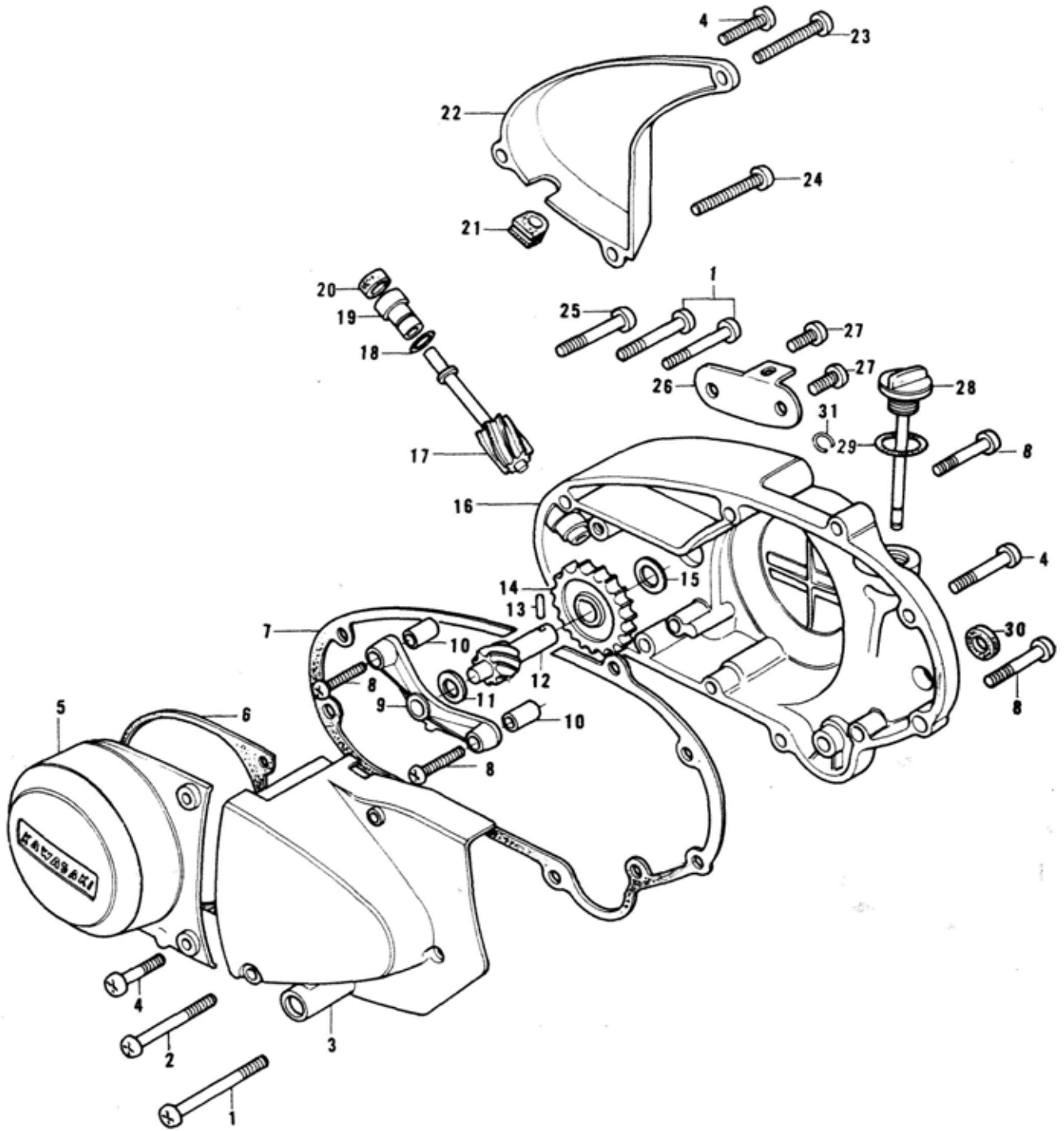
7. Kickstarter Mechanism



7. Kickstarter Mechanism

Ref. No.	Part No.	Part Name	Quantity	Remarks
1	13070-001	GUIDE, kickstarter spring	1	
2	482J0100	CIRCLIP, 10 m/m	2	
3	92081-021	SPRING, kick starter	1	
4	13071-003	PLATE, kickstarter spring holder	1	
5	480J2600	CIRCLIP, 26 m/m	1	
6	13077-002	HOLDER, kickstarter gear	1	
7	13068-024	GEAR, kickstarter	1	
8	13245-008	SHAFT, kickstarter	1	
9	13072-006	STOPPER, kickstarter	1	
10	92028-072	BUSHING, kickstarter shaft	1	
11	480J1600	CIRCLIP, 16 m/m	1	
12	13063-004	RUBBER, kickstarter pedal	1	
13	13058-038	PEDAL ASSY, kickstarter	1	
14	92043-068	PIN, kickstarter	1	
15	92081-020	SPRING, kickstarter pedal	1	
16	600A0800	STEEL BALL, 1/4"	1	
17	410B1000	WASHER, plain, 10 m/m	1	
18	482J8000	CIRCLIP, 8 m/m	1	
19	92001-101	BOLT, hex head, 10 x 25	1	
20	13061-015	BOSS, kickstarter pedal	1	

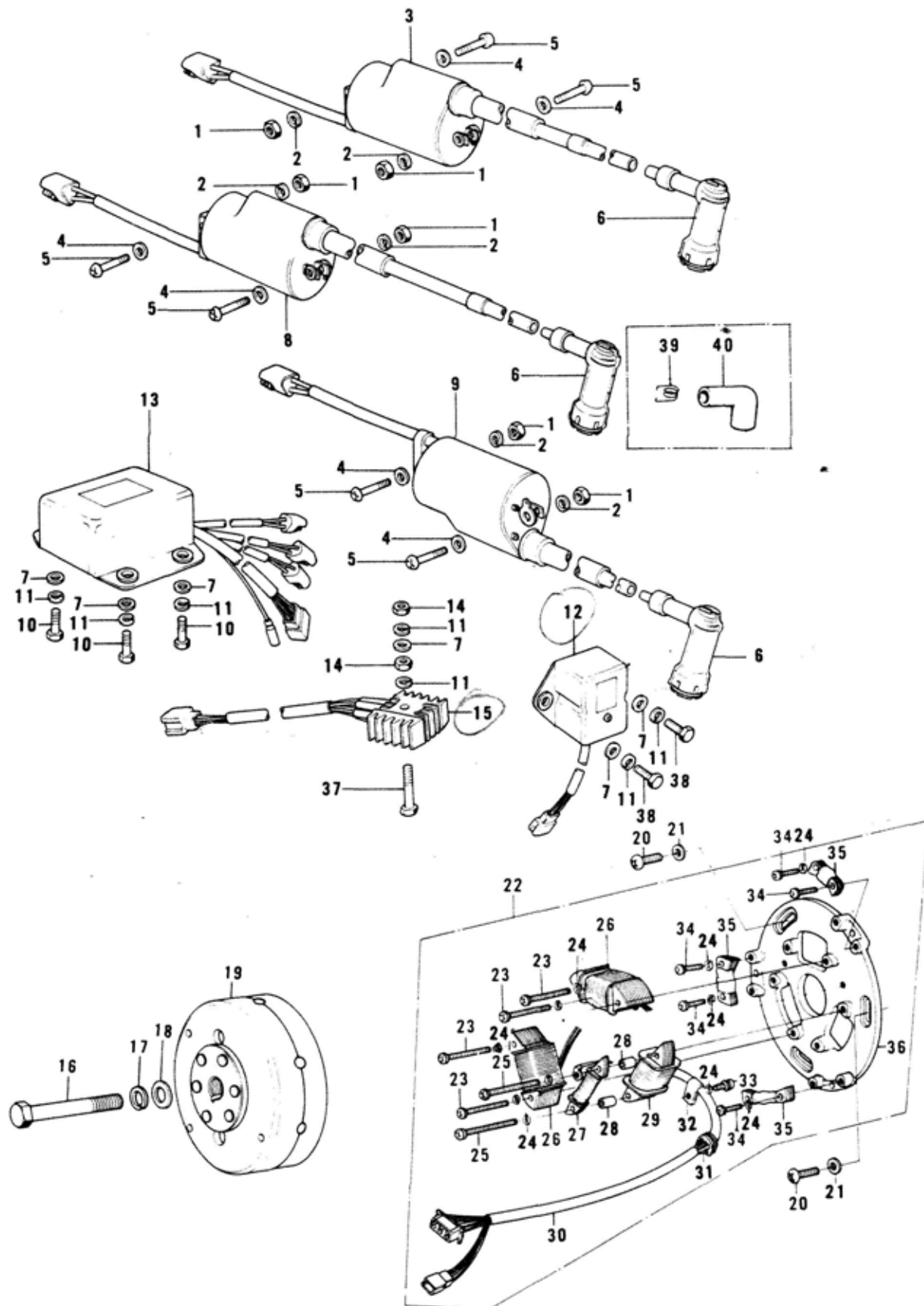
8. Engine Covers



8. Engine Covers

Ref. No.	Part No.	Part Name	Quantity	Remarks
1	220B0655	SCREW, pan head, 6 x 55	4	
2	220B0645	SCREW, pan head, 6 x 45	1	
3	14026-022-80	COVER, front chain	1	Buff Finish
4	220B0625	SCREW, pan head, 6 x 25	4	
5	14031-093-80	COVER, L. H. engine	1	Buff Finish
6	14045-028	GASKET, L. H. engine cover	1	
7	14046-019	GASKET, R. H. engine cover	1	
8	220B0630	SCREW, pan head, 6 x 30	7	
9	14018-005	HOLDER, tachometer gear	1	
10	92042-007	DOWEL PIN	2	
11	92026-026	WASHER, thrust	1	I.D.=7.5φ
12	13224-008	GEAR, tachometer	1	
13	92042-015	DOWEL PIN	1	
14	16085-017	GEAR, oil pump	1	
15	92026-025	WASHER, thrust	1	I.D.=9φ
16	14032- 025-80 ^{oil}	COVER, R. H. engine	1	Buff Finish
17	13226-005	SHAFT, tachometer gear	1	
18	92055-025	"O" RING	1	
19	92028-075	BUSHING	1	
20	92054-004	OIL SEAL, SB12205	1	
21	14038-030	GROMMET, R. H. engine cover	1	
22	14030-030-80	COVER, oil pump	1	Buff Finish
23	220B0690	SCREW, pan head, 6 x 90	1	
24	220B06100	SCREW, pan head, 6 x 100	1	
25	220B0635	SCREW, pan head, 6 x 35	1	
26	14044-006	HOLDER, oil pump cable	1	
27	220B0620	SCREW, pan head, 6 x 20	2	
28	16115-017	PLUG, oil filler	1	
29	670B2020	"O" RING, 20 m/m	1	
30	92049-002	OIL SEAL, SB16244	1	
31	92036-017	CIRCLIP	1	

9. Electrical Equipment for Engine (1/2)



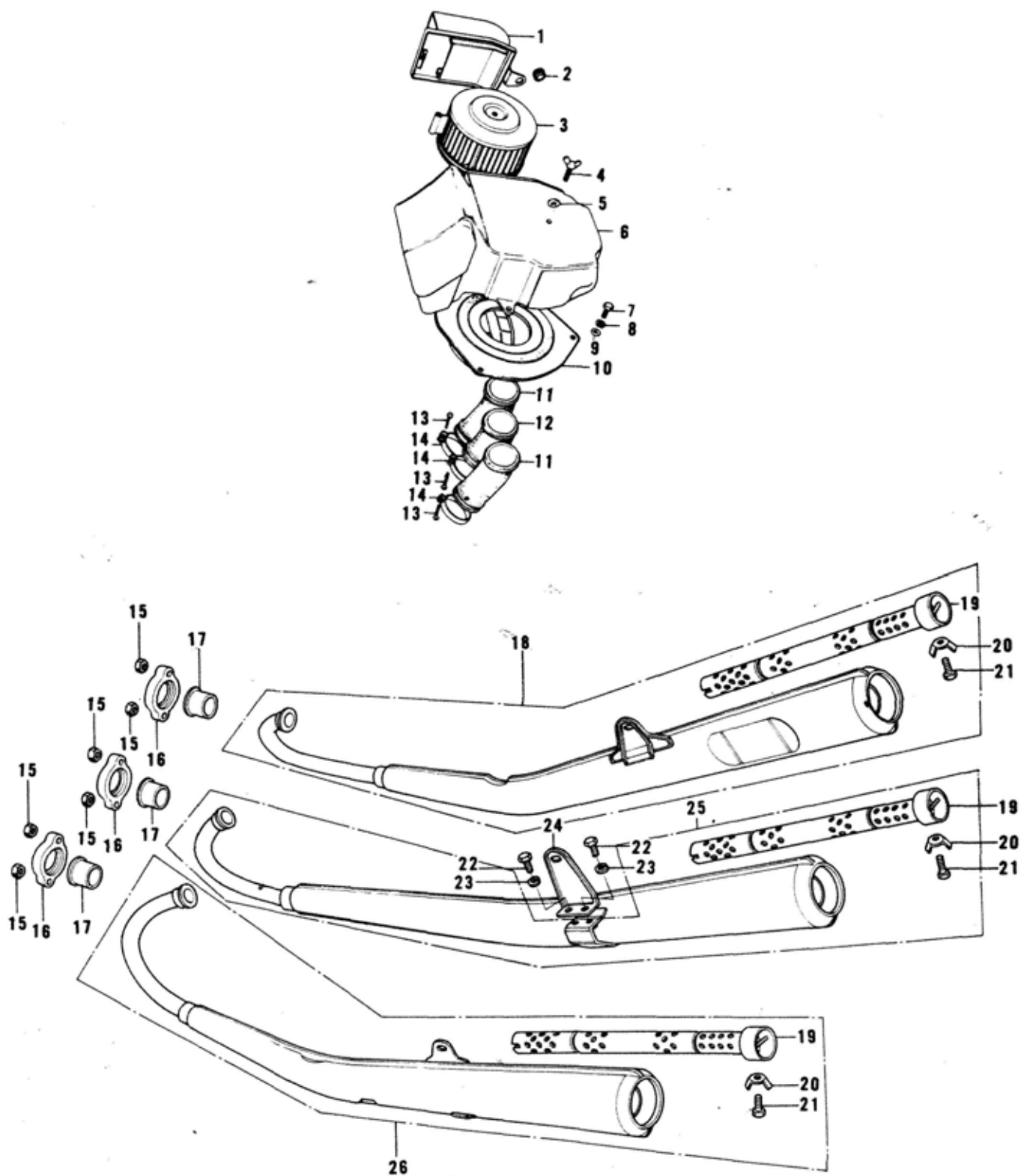
9. Electrical Equipment for Engine (1/2)

Ref. No.	Part No.	Part Name	Quantity					Remarks
			ENGLAND	FRANCE	W. GERMANY	ITALY	OTHERS	
1	310B0500A	NUT, 5 m/m	6	6	6	6	6	
2	461F0500	WASHER, spring, 5 m/m	6	6	6	6	6	
3	21121-080	COIL, R. H. ignition	1	1	1	1	1	
4	411B0500	WASHER, plain, 5 m/m	6	6	6	6	6	
5	220B0520A	SCREW, pan head, 5 x 20	6	6	6	6	6	
6	21130-023	CAP, spark plug	3	3	3		3	
7	411B0600	WASHER, plain, 6 m/m	8	8	8	8	8	
8	21121-079	COIL, center ignition	1	1	1	1	1	
9	21121-078	COIL, L. H. ignition	1	1	1	1	1	
10	110B0616	BOLT, hex head, 6 x 16	4	4	4	4	4	
11	461F0600	WASHER, spring, 6 m/m	8	8	8	8	8	
12	21072-009	REGULATOR	1	1	1	1	1	
13	21119-024	IGNITION UNIT	1	1	1	1	1	
14	311B0600	NUT, 6 m/m	1	1	1	1	1	
15	21061-022	RECTIFIER	1	1	1	1	1	
16	110G0850	BOLT, hex head, 8 x 50	1	1	1	1	1	
17	461E0800	WASHER, spring, 8 m/m	1	1	1	1	1	
18	92022-218	WASHER, plain, 8 m/m	1	1	1	1	1	
19	21050-022	FLY WHEEL	1	1	1	1	1	
20	220B0516A	SCREW, pan head, 5 x 16	3	3	3	3	3	
21	410B0500	WASHER, plain, 5 m/m	3	3	3	3	3	
22	21003-032	STATOR ASSY	1	1	1	1	1	
23	21022-020	SCREW, pan head, 4 x 35	4	4	4	4	4	
24	461F0400	WASHER, spring, 4 m/m	13	13	13	13	13	
25	21022-021	SCREW, pan head, 4 x 38	2	2	2	2	2	
26	21047-032	COIL, lighting	2	2	2	2	2	
27	21047-029	COIL B. excite	1	1	1	1	1	
28	21033-003	COLLAR	2	2	2	2	2	
29	21047-028	COIL A, excite	1	1	1	1	1	
30	21029-035	WIRING HARNESS, magneto	1	1	1	1	1	
31	21017-002	GROMMET	2	2	2	2	2	
32	21037-006	CLAMP, wiring harness	1	1	1	1	1	
33	220B0408A	SCREW, pan head, 4 x 8	1	1	1	1	1	
34	21022-022	SCREW, pan head, 4 x 18	6	6	6	6	6	
35	21047-030	COIL, pulser	3	3	3	3	3	

9. Electrical Equipment for Engine (2/2)

Ref. No.	Part No.	Part Name	Quantity					Remarks
			ENGLAND	FRANCE	W. GERMANY	ITALY	OTHERS	
36	21048-016	BASE, magneto	1	1	1	1	1	
37	110B0640	BOLT, hex head, 6 x 40	1	1	1	1	1	
38	110B0614	BOLT, hex head, 6 x 14	2	2	2	2	2	
39	92101-001	SPRING, spark plug cap				3		
40	21130-009	CAP, spark plug				3		

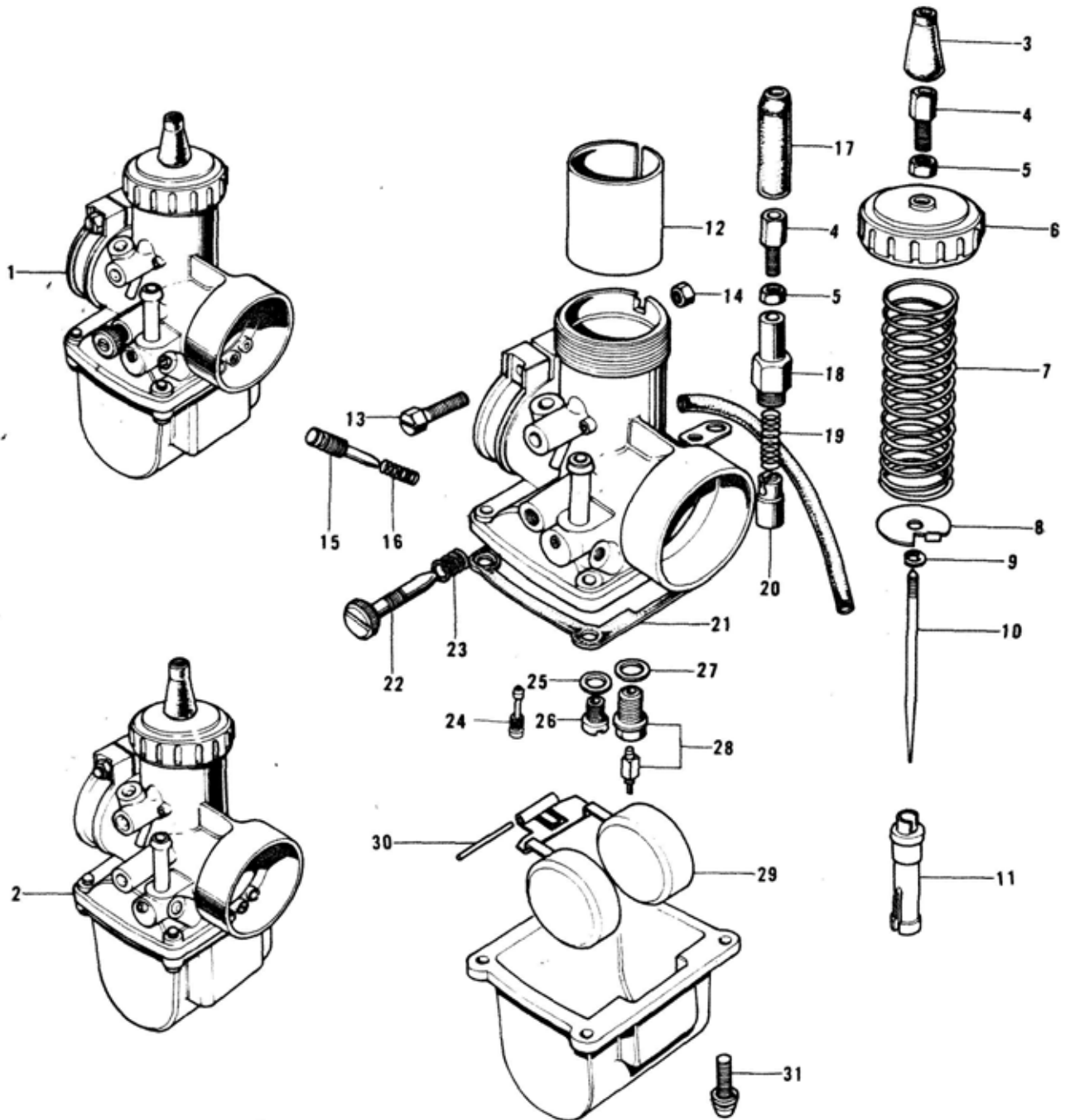
10. Air Cleaner, Mufflers



10. Air Cleaner, Mufflers

Ref. No.	Part No.	Part Name	Quantity					Remarks
			ENGLAND	FRANCE	W. GERMANY	ITALY	OTHERS	
1	11012-071	CAP, air cleaner	1	1	1	1	1	
2	92071-056	GROMMET, cleaner cap	1	1	1	1	1	
3	11013-052	ELEMENT, air cleaner	1	1	1	1	1	
4	92003-199	BOLT, air cleaner fitting	1	1	1	1	1	
5	92022-021	WASHER, plain	1	1	1	1	1	
6	11011-051	BODY, air cleaner	1	1	1	1	1	
7	110B0620	BOLT, hex head, 6 x 20	3	3	3	3	3	
8	461F0600	WASHER, spring, 6 m/m	3	3	3	3	3	
9	411B0600	WASHER, plain, 6 m/m	3	3	3	3	3	
10	11011-052	BODY, air cleaner	1	1	1	1	1	
11	11015-024	PIPE, air inlet, L.H. & R.H.	2	2	2	2	2	
12	11015-025	PIPE, air inlet, center	1	1	1	1	1	
13	92011-033	SCREW, pan head, 6 x 35	3	3	3	3	3	
14	92037-109	CLAMP, air inlet pipe	3	3	3	3	3	
15	92017-013	NUT, lock, 8 m/m	6	6	6	6	6	
16	18069-054	HOLDER, exhaust pipe	3	3	3	3	3	
17	18070-011	INCERT, exhaust holder	3	3	3	3	3	
18	18001-190	MUFFLER ASSY, R.H.	1	1	1		1	
	18001-209	MUFFLER ASSY, R.H.				1		
19	18033-105	BAFFLE TUBE	3	3	3		3	
	18033-097	BAFFLE TUBE				3		
20	92024-016	WASHER, lock, 6 m/m	3	3	3	3	3	
21	110B0612	BOLT, hex head, 6 x 12	3	3	3	3	3	
22	110B0816	BOLT, hex head, 8 x 16	2	2	2	2	2	
23	461E0800	WASHER, spring, 8 m/m	2	2	2	2	2	
24	18061-042	BRACKET, muffler	1	1	1	1	1	
25	18001-189	MUFFLER ASSY, center	1	1	1		1	
	18001-208	MUFFLER ASSY, center				1		
26	18001-188	MUFFLER ASSY, L.H.	1	1	1		1	
	18001-207	MUFFLER ASSY, L.H.				1		

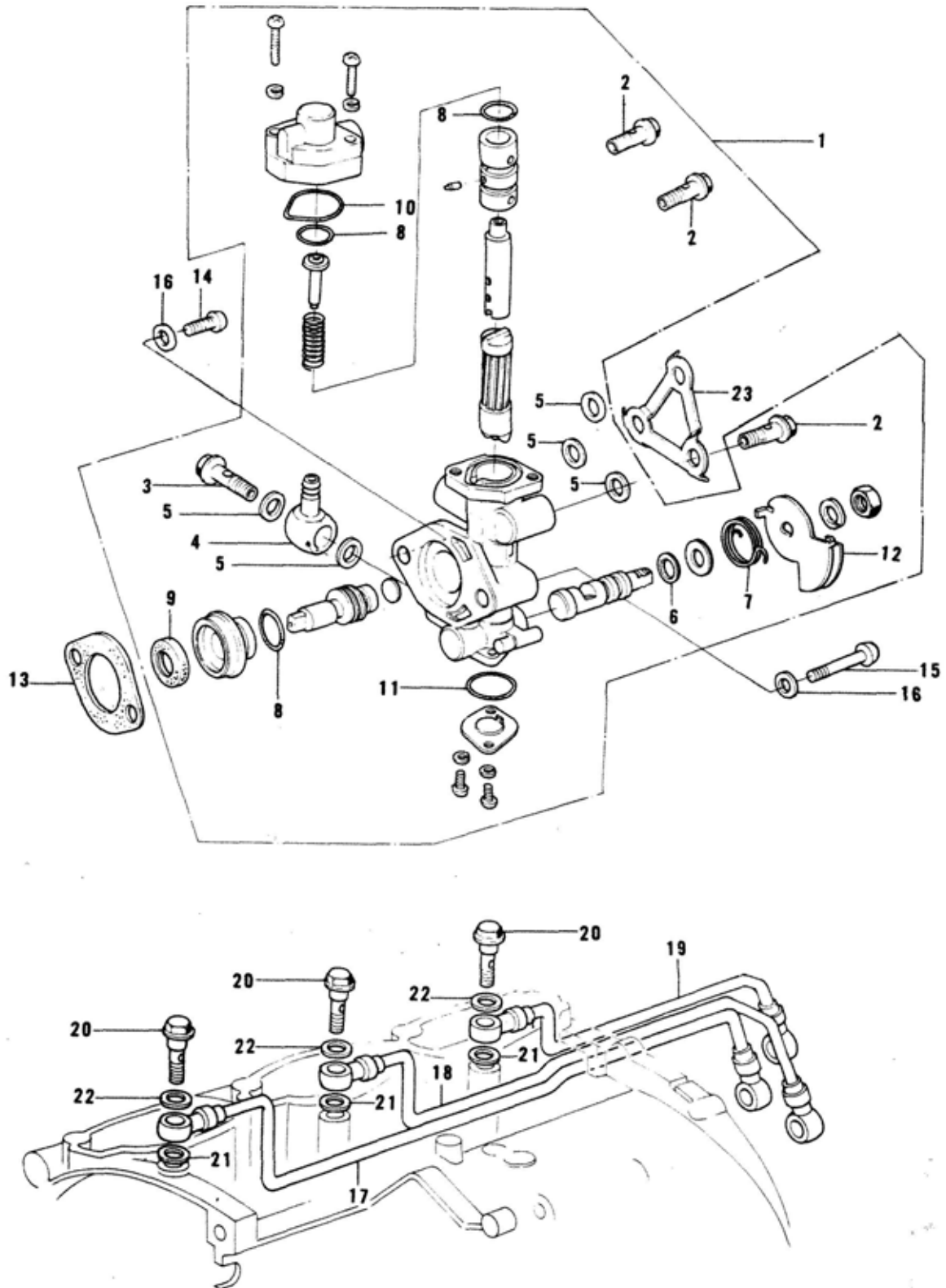
11. Carburetors



11. Carburetors

Ref. No.	Part No.	Part Name	Quantity	Remarks
1	16001-253	CARBURETOR ASSY, L.H.	1	VM26SC
2	16001-254	CARBURETOR ASSY, R.H. & Center	2	VM26SC
3	16036-007	CAP, carburetor	1 x 3	
4	16002-004	ADJUSTER, cable	2 x 3	
5	16003-004	NUT, cable adjuster lock	2 x 3	
6	16004-017	CAP, mixing chamber	1 x 3	
7	16006-024	SPRING, throttle valve	1 x 3	
8	16007-023	SPRING SEAT, throttle valve	1 x 3	
9	16008-004	CIRCLIP, needle jet	1 x 3	
10	16009-047	JET NEEDLE, 4EJ4	1 x 3	
11	16017-092	NEEDLE JET, 0-6	1 x 3	
12	16025-081	VALVE, throttle, L.H.	1	CA 2.5
	16025-082	VALVE, throttle, R.H. & Center	2	CA 2.5
13	16010-004	SCREW, clamp	1 x 3	
14	310B0600	NUT, 6 m/m	1 x 3	
15	16014-006	SCREW, pilot air	1 x 3	
16	16022-007	SPRING, pilot air screw	1 x 3	
17	16036-005	CAP, cable adjuster	1 x 3	
18	16012-008	CAP, starter plunger	1 x 3	
19	16013-003	SPRING, starter plunger	1 x 3	
20	16016-002	PLUNGER, starter	1 x 3	
21	16019-013	GASKET, float chamber	1 x 3	
22	16021-013	SCREW, throttle stop	1 x 3	
23	16022-005	SPRING, throttle stop screw	1 x 3	
24	92064-021	PILOT JET, #20	1 x 3	
25	16034-001	WASHER, main jet	1 x 3	
26	92063-122	MAIN JET, #77.5	1 x 3	STD
	92063-108	MAIN JET, #72.5	(1 x 3)	} Option
	92063-109	MAIN JET, #75	(1 x 3)	
	92063-123	MAIN JET, #80	(1 x 3)	
	92063-124	MAIN JET, #82.5	(1 x 3)	
27	16029-004	WASHER, float valve seat	1 x 3	
28	16030-005	FLOAT VALVE ASSY	1 x 3	
29	16031-016	FLOAT	1 x 3	
30	16032-003	PIN, float	1 x 3	
31	16033-009	SCREW, float chamber	4 x 3	

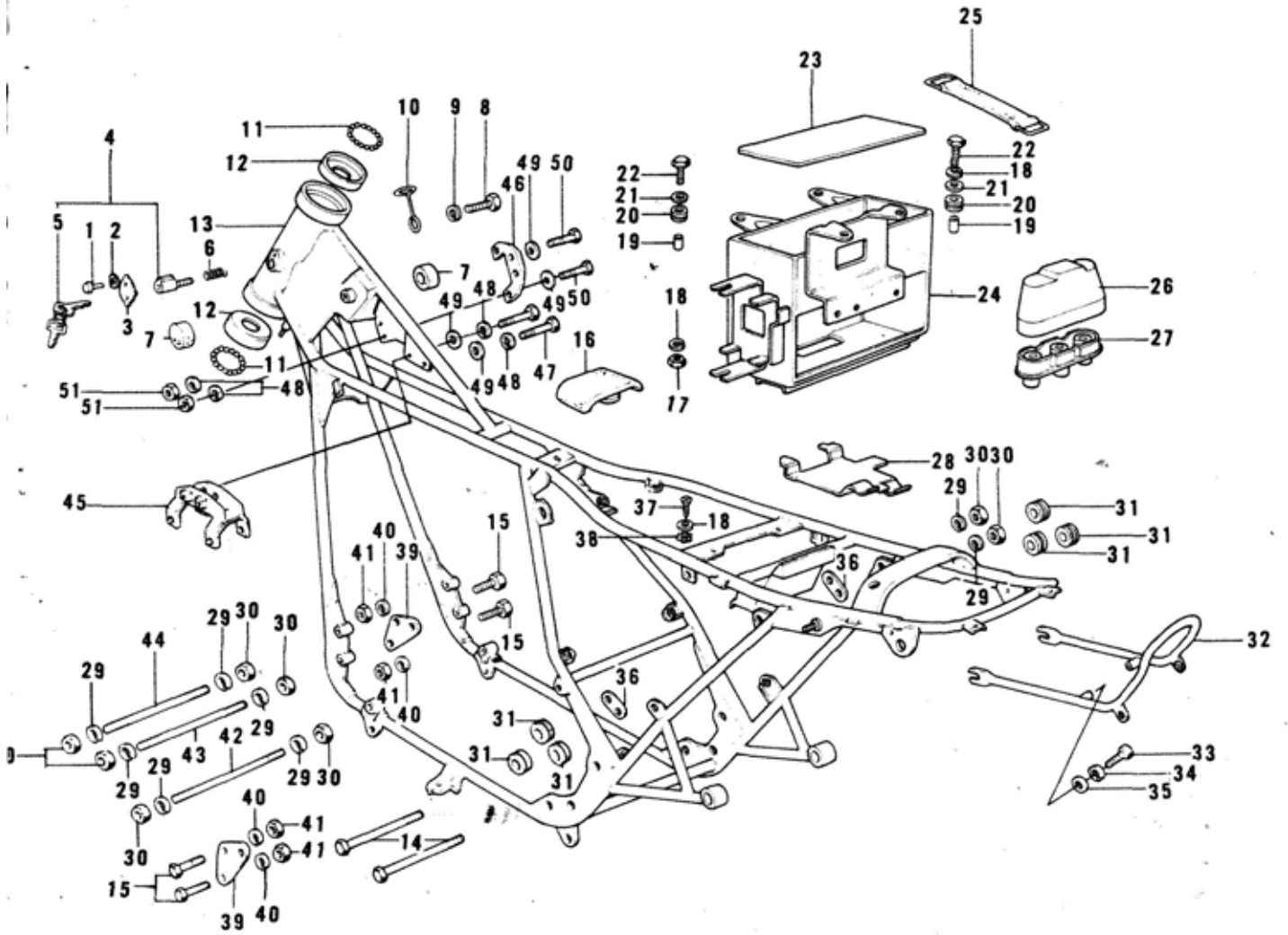
12. Oil Pump



12. Oil Pump

Ref. No.	Part No.	Part Name	Quantity	Remarks
1	16082-051	OIL PUMP ASSY	1	S2-2
2	92060-008	BOLT, banjo	3	L=17.5m/m
3	92060-009	BOLT, banjo	1	L=24 m/m
4	92061-015	CONNECTOR, banjo	1	
5	92022-077	GASKET, oil pump	5	
6	16089-001	"V" RING, oil pump cam shaft	1	
7	16093-002	SPRING, oil pump lever	1	
8	16090-002	"O"RING, oil pump shaft	3	
9	16091-001	OIL SEAL, oil pump shaft	1	
10	16088-002	"O" RING, oil pump upper cap	1	
11	16090-003	"O" RING, oil pump lower cap	1	
12	16096-011	LEVER, oil pump cable	1	
13	16094-002	GASKET, oil pump	1	
14	220B0514A	SCREW, pan head, 5 x 14	1	
15	220B0528A	SCREW, pan head, 5 x 28	1	
16	92022-037	WASHER, oil pump	2	
17	16134-012	PIPE ASSY, L.H. oil	1	
18	16134-013	PIPE ASSY, center oil	1	
19	16134-014	PIPE ASSY, R.H. oil	1	
20	92060-010-79	BOLT, banjo	3	
21	92065-023	GASKET, check valve	3	I.D.=8.5φ
22	92065-058	GASKET, check valve	3	I.D.=10.5φ
23	92024-058	WASHER, oil pump lock	1	

13. Frame (1/2)



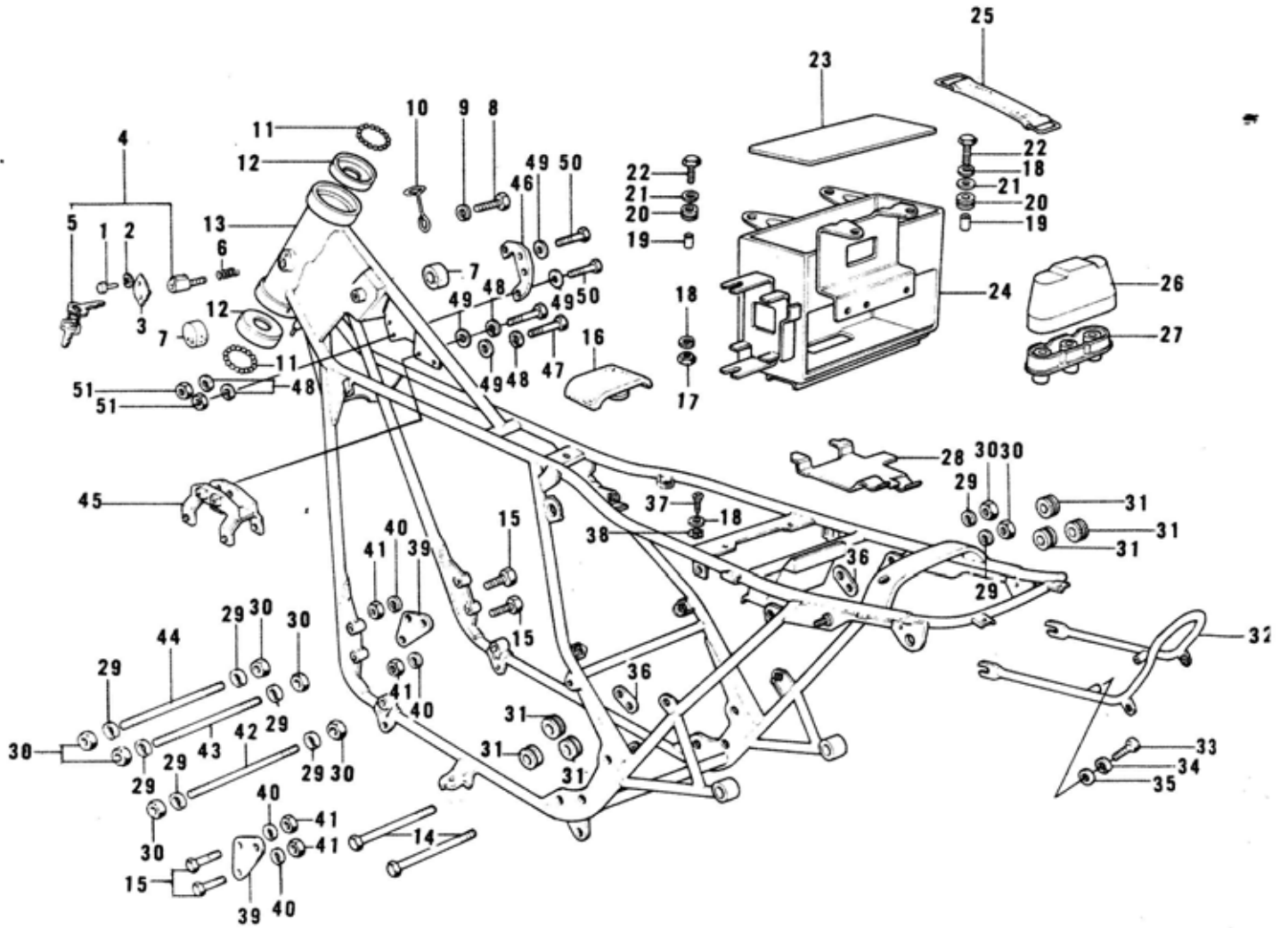
13. Frame (1/2)

Ref. No.	Part No.	Part Name	Quantity					Remarks
			ENGLAND	FRANCE	W. GERMANY	ITALY	OTHERS	
1	92008-007	SCREW, tapping	1	1	1	1	1	} Local Procurement Items
2	92097-003	WASHER, wave	1	1	1	1	1	
3	27031-005	CAP, steering lock	1	1	1	1	1	
4	27016-038	LOCK ASSY, steering	1	1		1	1	
5		LOCK ASSY, steering			1			
		KEY SET			1			
	27008-055-01	KEY SET, #901	1	1		1	1	
	27008-055-02	KEY SET, #902	1	1		1	1	
	27008-055-03	KEY SET, #903	1	1		1	1	
	27008-055-04	KEY SET, #904	1	1		1	1	
	27008-055-05	KEY SET, #905	1	1		1	1	
	27008-055-06	KEY SET, #906	1	1		1	1	
	27008-055-07	KEY SET, #907	1	1		1	1	
	27008-055-08	KEY SET, #908	1	1		1	1	
	27008-055-09	KEY SET, #909	1	1		1	1	
	27008-055-10	KEY SET, #910	1	1		1	1	
6	27032-001	SPRING, sttering lock	1	1	1	1	1	
7	92075-101	DAMPER RUBBER, fuel tank	2	2	2	2	2	
8	110B0612	BOLT, hex head 6 x 12	1	1	1	1	1	
9	461F0600	WASHER, spring, 6 m/m	1	1	1	1	1	
10	92037-108	CLAMP, cable	1	1	1	1	1	
11	600A0800	STEEL BALL, 1/4"	38	38	38	38	38	
12	92048-006	CUP, steering ball	2	2	2	2	2	
13	32002-139	FRAME	1	1	1	1	1	
14	113B10110	BOLT, hex head, 10 x 110	2	2	2	2	2	
15	110B0850	BOLT, hex head, 8 x 50	4	4	4	4	4	
16	92075-214	DAMPER RUBBER, fuel tank	1	1	1	1	1	
17	310B0600	NUT, 6 m/m	2	2	2	2	2	
18	461F0600	WASHER, spring, 6 m/m	5	5	5	5	5	
19	92027-129	COLLAR	4	4	4	4	4	
20	92075-076	DAMPER RUBBER	4	4	4	4	4	
21	92022-125	WASHER, Plain, 6 m/m	4	4	4	4	4	
22	110B0622	BOLT, hex head 6 x 22	4	4	4	4	4	
23	32103-006	MAT, battery	1	1	1	1	1	
24	32097-037	CASE, battery	1	1	1	1	1	
25	92072-045	BAND, battery	1	1	1	1	1	

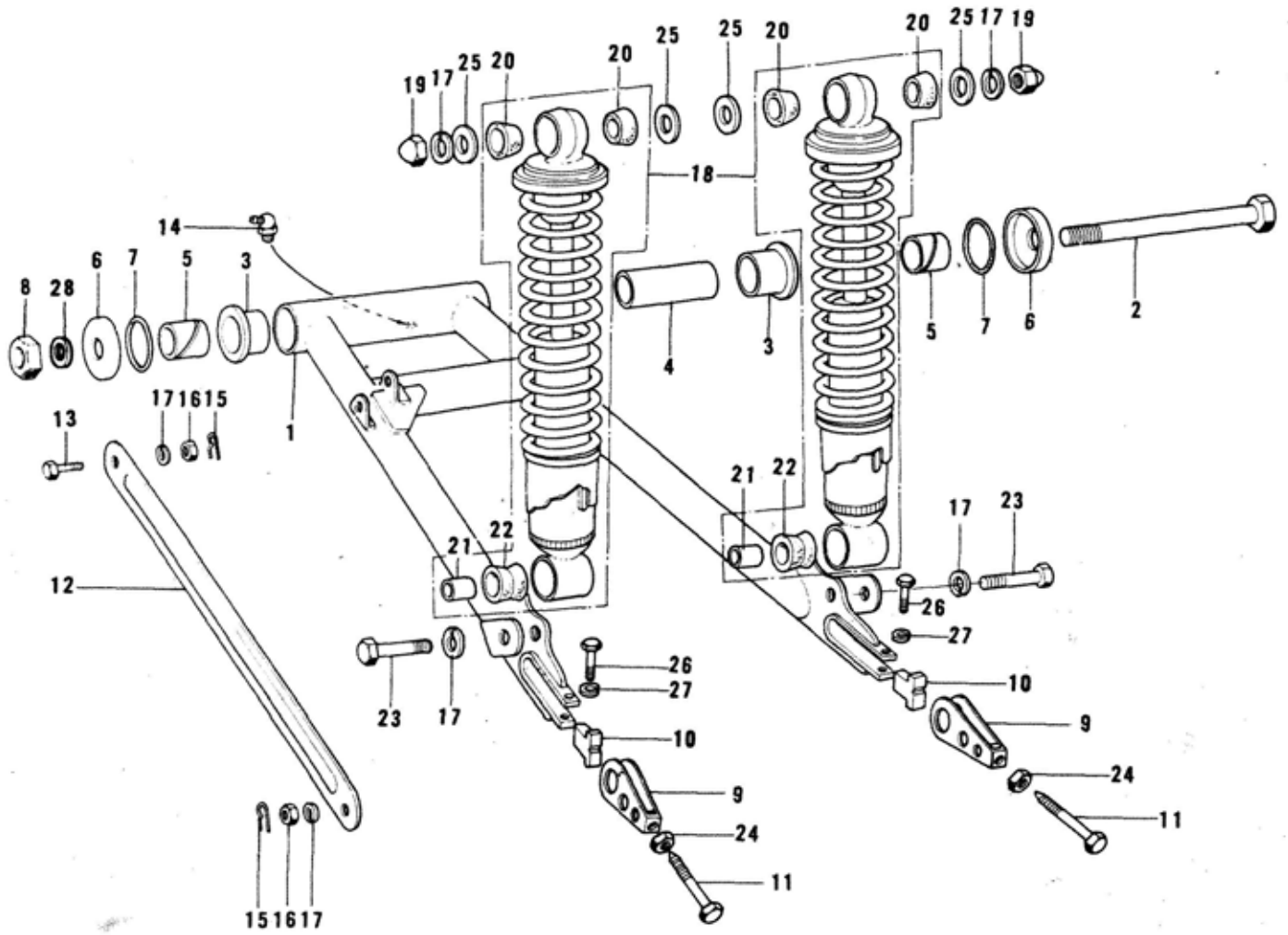
13. Frame (2/2)

Ref. No.	Part No.	Part Name	Quantity					Remarks
			ENGLAND	FRANCE	W. GERMANY	ITALY	OTHERS	
26	32132-003	COVER, spark plug	1	1	1	1	1	
27	32132-002	HOLDER, spark plug cover	1	1	1	1	1	
28	32116-004	BRACKET, fuse case	1	1	1	1	1	
29	461F1000	WASHER, spring, 10 m/m	8	8	8	8	8	
30	313B1000	NUT, 10 m/m	8	8	8	8	8	
31	92071-056	GROMMET, side cover	6	6	6	6	6	
32	35032-033	STAY, rear fender	1	1	1	1	1	
33	110B0845	BOLT, hex head, 8 x 45	2	2	2	2	2	
34	461F0800	WASHER, spring, 8 m/m	2	2	2	2	2	
35	411B0800	WASHER, plain, 8 m/m	2	2	2	2	2	
36	32030-023	PLATE, engine mounting rear	2	2	2	2	2	
37	220B0614	SCREW, pan head, 6 x 14	1	1	1	1	1	
38	464H0600	WASHER, lock, 6 m/m	1	1	1	1	1	
39	32030-030	PLATE, engine mounting, front	2	2	2	2	2	
40	461F0800	WASHER, spring, 8 m/m	4	4	4	4	4	
41	310B0800	NUT, 8 m/m	4	4	4	4	4	
42	92091-002	BOLT, 10 x 235	1	1	1	1	1	
43	92091-025	BOLT, 10 x 258	1	1	1	1	1	
44	92091-018	BOLT, 10 x 244	1	1	1	1	1	
45	32058-052	BRACKET, ginition coil, L.M. & R.H.	1	1	1	1	1	
46	32058-053	BRACKET, ignition coil, center	1	1	1	1	1	
47	110B0630	BOLT, hex head, 6 x 30	2	2	2	2	2	
48	461F0600	WASHER, spring, 6 m/m	4	4	4	4	4	
49	410B0600	WASHER, plain, 6m/m	4	4	4	4	4	
50	110B0616	BOLT, hex head, 6 x 16	2	2	2	2	2	
51	310B0600	NUT, 6 m/m	2	2	2	2	2	

13. Frame (2/2)



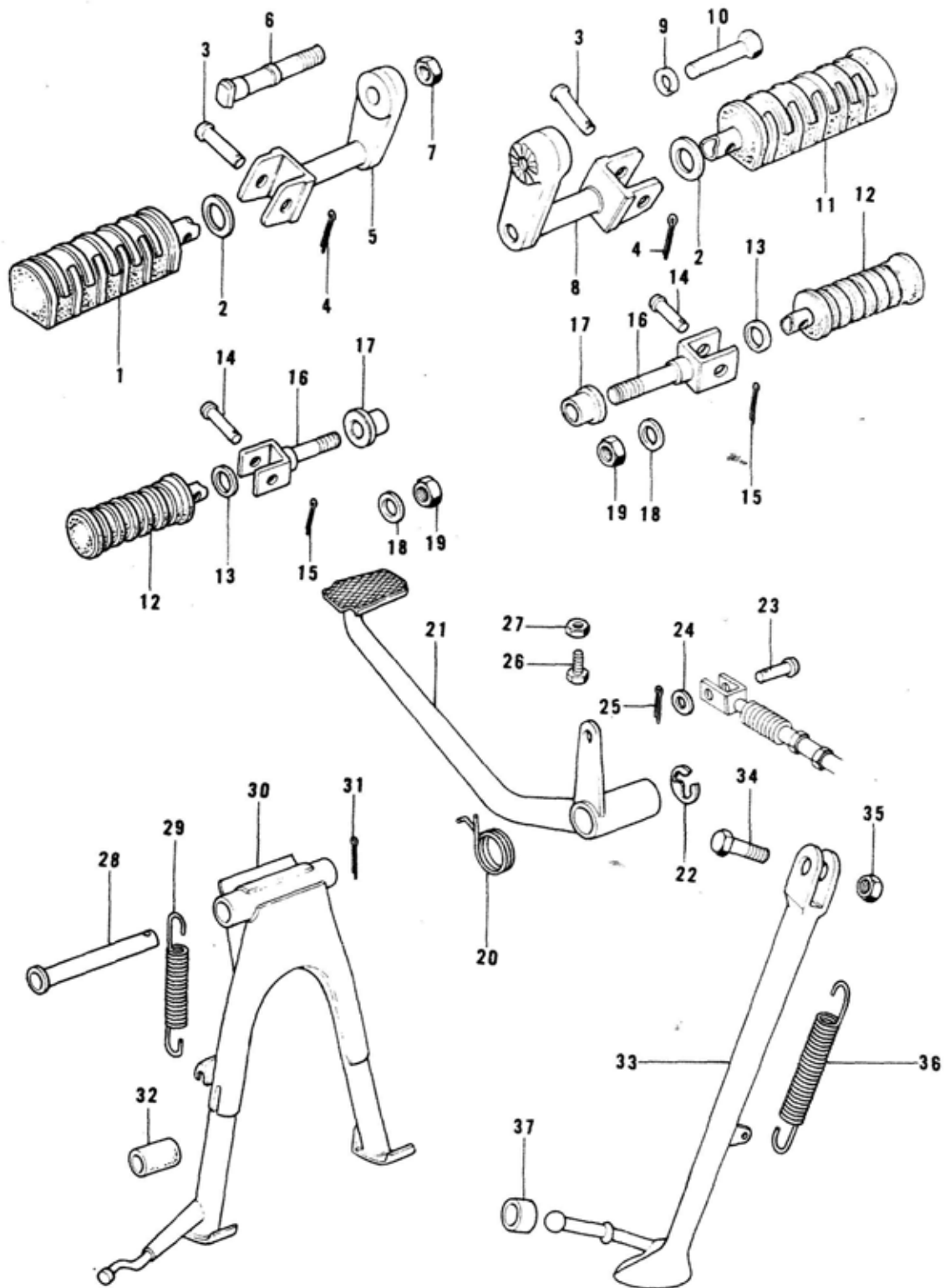
14. Swinging Arm, Rear Shock Absorber



14. Swinging Arm, Rear Shock Absorber

Ref. No.	Part No.	Part Name	Quantity	Remarks
1	33001-061	ARM, swinging	1	
2	33032-037	SHAFT, swinging arm pivot	1	
3	33033-009	BUSHING, swinging arm	2	
4	33034-012	SLEEVE, swinging arm	1	
5	33034-013	SLEEVE, swinging arm	2	
6	33035-007	CAP, swinging arm	2	
7	671B2530	"O" RING, 30 m/m	2	
8	92019-011	NUT, lock, 14 m/m	1	
9	33040-056	ADJUSTER, L.H. chain	2	
10	33044-002	STOPPER, chain adjuster	2	
11	92001-038	BOLT, chain adjuster	2	
12	43007-031	TORQUE LINK, rear brake	1	
13	92003-096	BOLT, torque link fitting	1	
14	92005-002	GREASE NIPPLE	1	
15	92041-005	PIN, cotter	2	
16	313B1000	NUT, 10 m/m	2	
17	461F1000	WASHER, spring, 10 m/m	6	
18	45014-114	SHOCK ABSORBER, rear	2	
19	92020-003	NUT, shock absorber fitting	2	
20	45017-001	BUSHING, shock absorber rubber	4	
21	45016-003	BUSHING, shock absorber	2	
22	45017-007	BUSHING, shock absorber rubber	2	
23	113N1035	BOLT, hex head, 10 x 35	2	
24	312B0800	NUT, 8 m/m	2	
25	92022-246	WASHER, plain, 10 m/m	4	
26	110B0835	BOLT, hex head, 8 x 35	2	
27	461F0800	WASHER, spring, 8 m/m	2	
28	410B1400	WASHER, plain, 14 m/m	1	

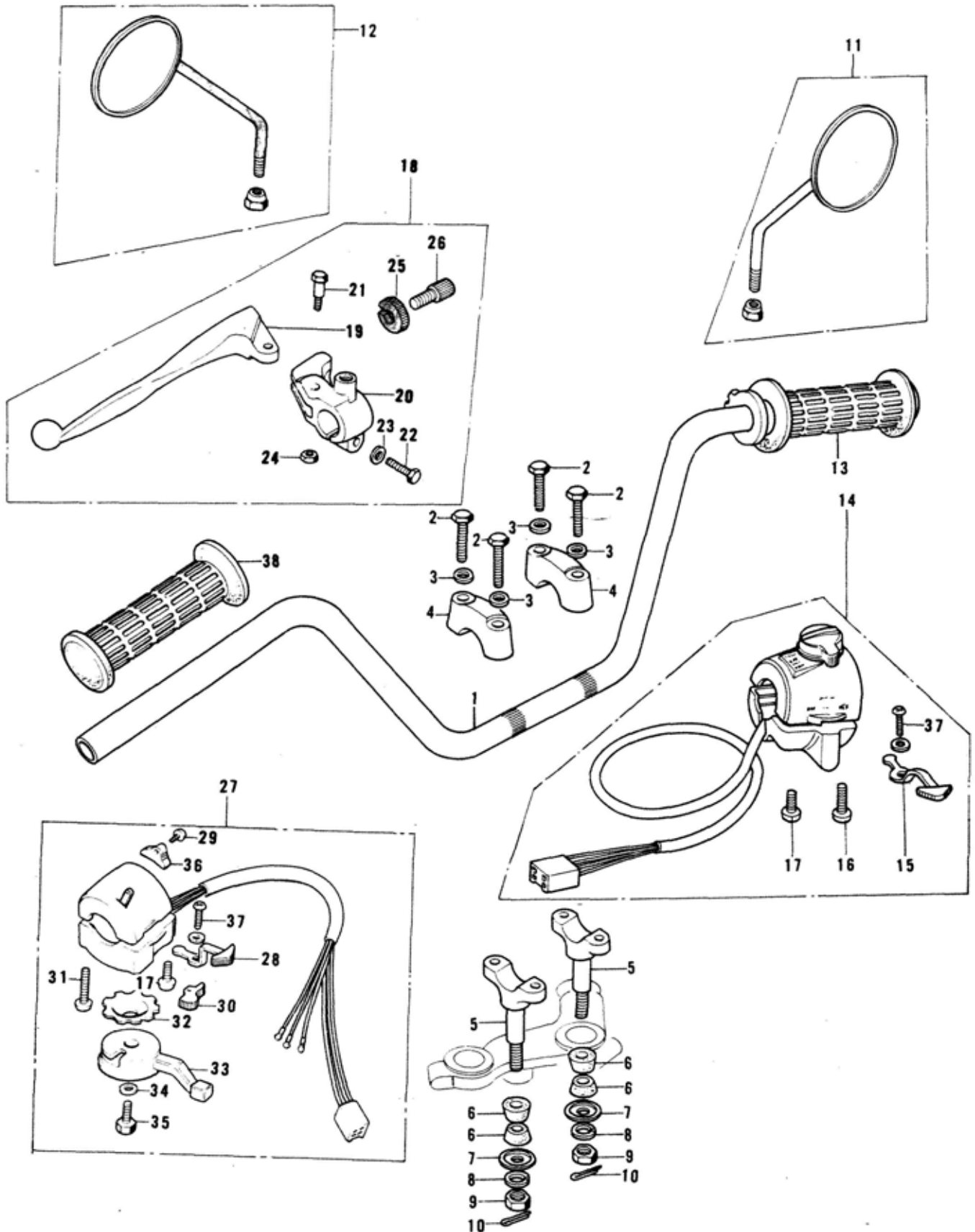
15. Footrests, Stands, Brake Pedal



15. Footrests, Stands, Brake Pedal

Ref. No.	Part No.	Part Name	Quantity	Remarks
1	34028-011	BAR, Footrest, L. H	1	
2	92022-204	WASHER, Plain	2	
3	92043-080	PIN, footrest bar fitting	2	
4	550D2516	PIN, cotter, 2.5 x 16	2	
5	34003-040	HOLDER, footrest bar, L. H	1	
6	92003-076	BOLT, L. H footrest fitting	1	
7	315B1200A	NUT, 12 m/m	1	
8	34003-041	HOLDER, footrest bar, R.H.	1	
9	461F1200	WASHER, spring, 12 m/m	1	
10	92007-025	BOLT, R. H footrest fitting	1	
11	34028-012	BAR, footrest, R.H	1	
12	92076-027	RUBBER, rear footrest	2	
13	92022-199	WASHER, plain	2	
14	92043-079	PIN, rear footrest fitting	2	
15	550D2012	PIN, cotter, 2.0 x 12	2	
16	34029-011	BRACKET, rear footrest	2	
17	92092-010	BUSHING, rubber	4	
18	411B1000	WASHER, plain, 10 m/m	4	
19	92019-021	NUT, lock, 10 m/m	2	
20	43005-033	SPRING, brake pedal return	1	
21	43001-060	PEDAL, brake	1	
22	482K0200	CIRCLIP, 12 m/m	1	
23	92043-034	PIN, brake cable joint	1	
24	410B0600	WASHER, plain, 6 m/m	1	
25	550D2015	PIN, cotter, 2.0 x 15	1	
26	110B0622	BOLT, hex head, 6 x 22	1	
27	310B0600	NUT, 6 m/m	1	
28	34019-011	SHAFT, main stand	1	
29	34023-010	SPRING, main stand	1	
30	34011-035	STAND, main	1	
31	550D3025	PIN, cotter, 3.0 x 25	1	
32	92075-115	RUBBER, main stand stopper	1	
33	34024-051	STAND, side	1	
34	92003-079	BOLT, side stand, 10 m/m	1	
35	313B1000	NUT, 10 m/m	1	
36	34023-005	SPRING, side stand	1	
37	92075-031	RUBBER, side stand stopper	1	

16. Handlebar, Grips (1/2)



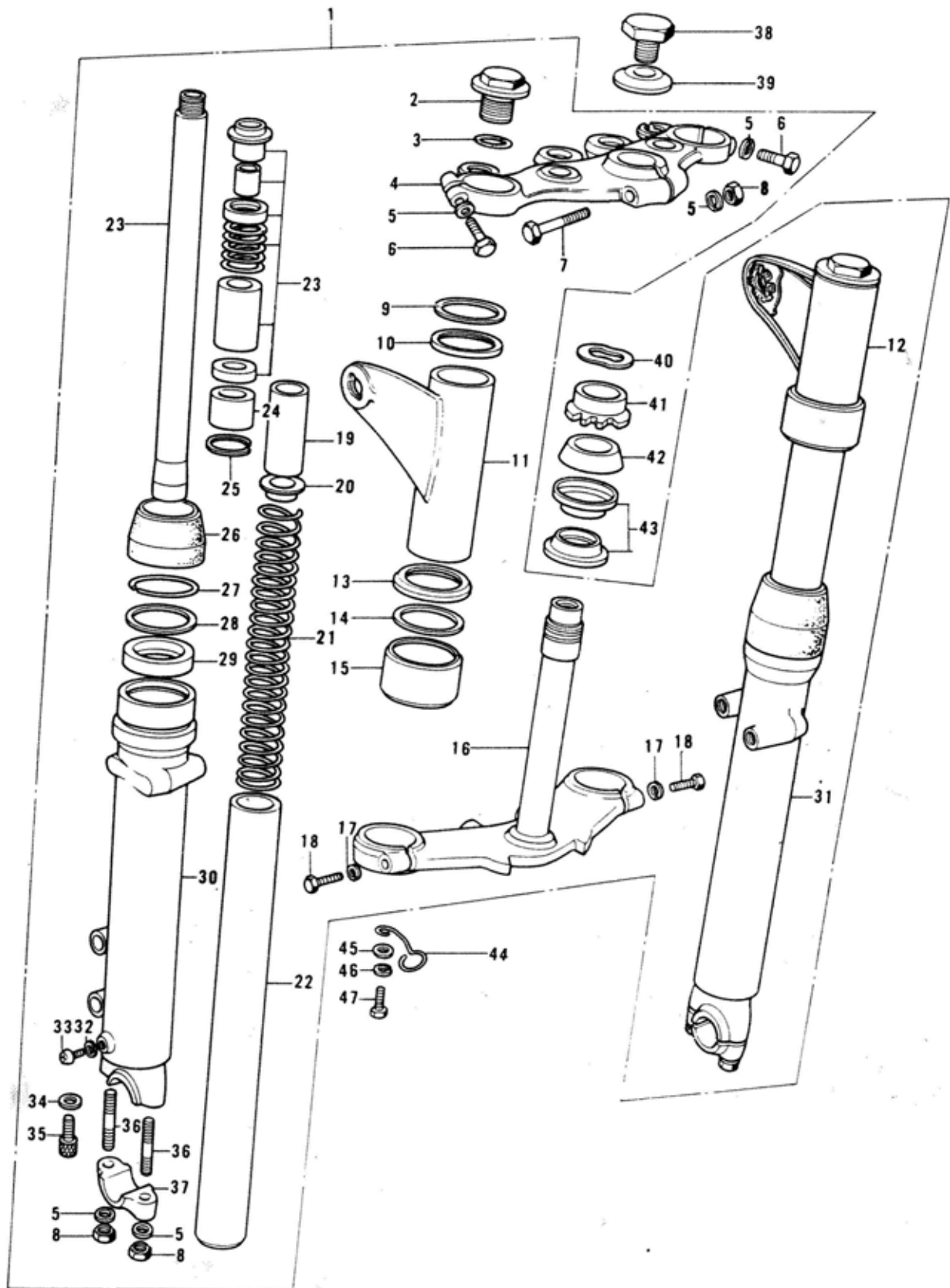
16. Handlebar, Grips (1/2)

Ref. No.	Part No.	Part Name	Quantity					Remarks
			ENGLAND	FRANCE	W. GERMANY	ITALY	OTHERS	
1	46006-011	HANDLEBAR, semi-low	1	1	1	1	1	
2	92007-002	BOLT, handlebar fitting	4	4	4	4	4	
3	461F0800	WASHER, spring, 8 m/m	4	4	4	4	4	
4	46012-008	HOLDER, handlebar	2	2	2	2	2	
5	46012-010	HOLDER, handlebar	2	2	2	2	2	
6	92075-039	DAMPER RUBBER, handlebar	4	4	4	4	4	
7	46016-003	CAP, handlebar holder	2	2	2	2	2	
8	461F1000	WASHER, spring, 10 m/m	2	2	2	2	2	
9	313B1000	NUT, 10 m/m	2	2	2	2	2	
10	92041-005	PIN, cotter, 2.5 x 20	2	2	2	2	2	
11	56002-026	REAR VIEW MIRROR, R.H.	1					
	56002-022	REAR VIEW MIRROR, R.H.		1	1			
12	56003-014	REAR VIEW MIRROR, L.H.		1	1			
	56003-018	REAR VIEW MIRROR, L.H.				1	1	
13	46019-041	GRIP ASSY, throttle	1	1	1	1	1	
14	46132-029	CASE ASSY, R.H.	1	1	1	1	1	
15	46043-006	KNOB, lighting switch, R.H.	1	1	1	1	1	
16	220B0535A	SCREW, pan head, 5 x 35	1	1	1	1	1	
17	220B0522A	SCREW, pan head, 5 x 22	2	2	2	2	2	
18	46076-049	LEVER ASSY, clutch	1	1	1	1	1	
19	46092-015	LEVER, clutch	1	1	1	1	1	
20	46094-017	HOLDER, clutch lever	1	1	1	1	1	
21	92007-047	BOLT, clutch lever fitting	1	1	1	1	1	
22	110B0622	BOLT, hex head, 6 x 22	1	1	1	1	1	
23	410B0600	WASHER, plain, 6 m/m	2	2	2	2	2	
24	92017-014	NUT, lock, 8 m/m	1	1	1	1	1	
25	46056-007	NUT, cable adjuster lock	2	2	2	2	2	O.D.=30
26	46055-003	SCREW, cable adjuster	2	2	2	2	2	
27	46091-033	CASE ASSY, L.H. grip	1	1	1	1	1	
28	46043-005	KNOB, signal lamp switch, L.H.	1	1	1	1	1	
29	221B0308A	SCREW, countersunk head 3 x 8	1	1	1	1	1	
30	46027-015	SWITCH ASSY, L.H. push button	1	1	1	1	1	

16. Handlebar, Grips (2/2)

Ref. No.	Part Name	Part Name	Quantity					Remarks
			ENGLAND	FRANCE	W. GERMANY	ITALY	OTHERS	
31	220B0530A	SCREW, pan head, 5 x 30	1	1	1	1	1	
32	92095-012	WASHER, lock	1	1	1	1	1	
33	46096-009	LEVER, starter	1	1	1	1	1	
34	410B0600	WASHER, plain, 6 m/m	1	1	1	1	1	
35	110B0608	BOLT, hex head, 6 x 8	1	1	1	1	1	
36	46044-013	SWITCH, lighting, L.H.	1	1	1	1	1	
37	220B0305A	SCREW, pan head, 3 x 5	2	2	2	2	2	
38	46075-028	RUBBER, L.H. grip	1	1	1	1	1	

17. Front Fork (2/2)



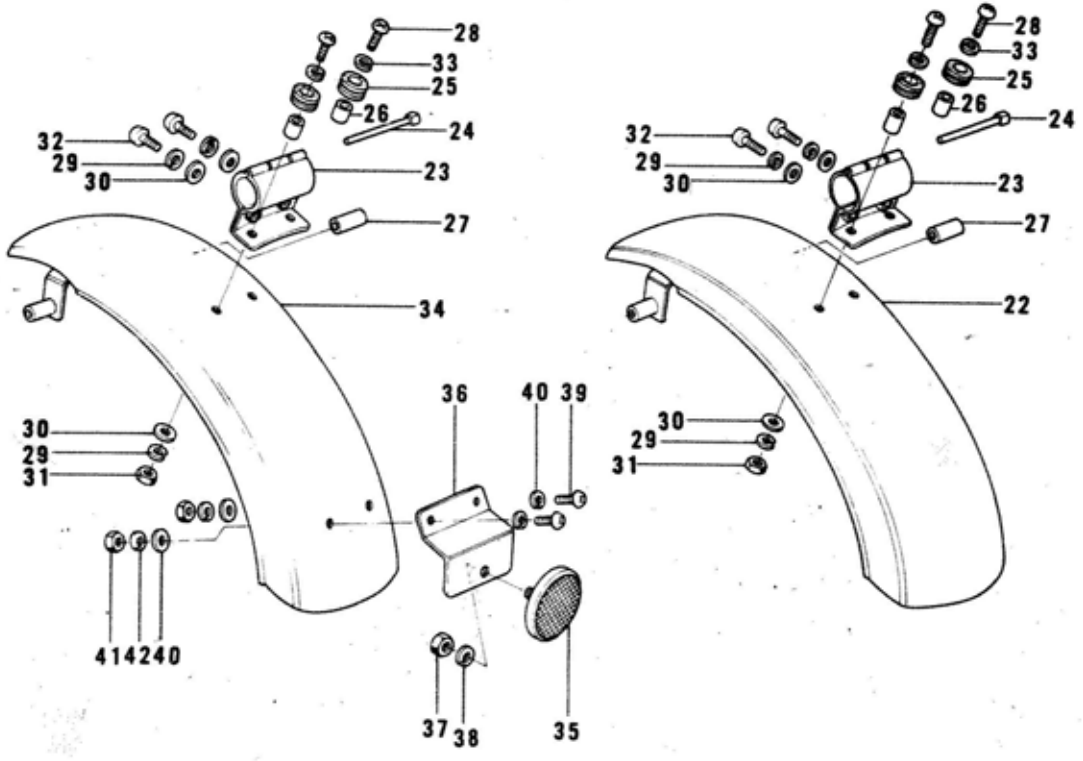
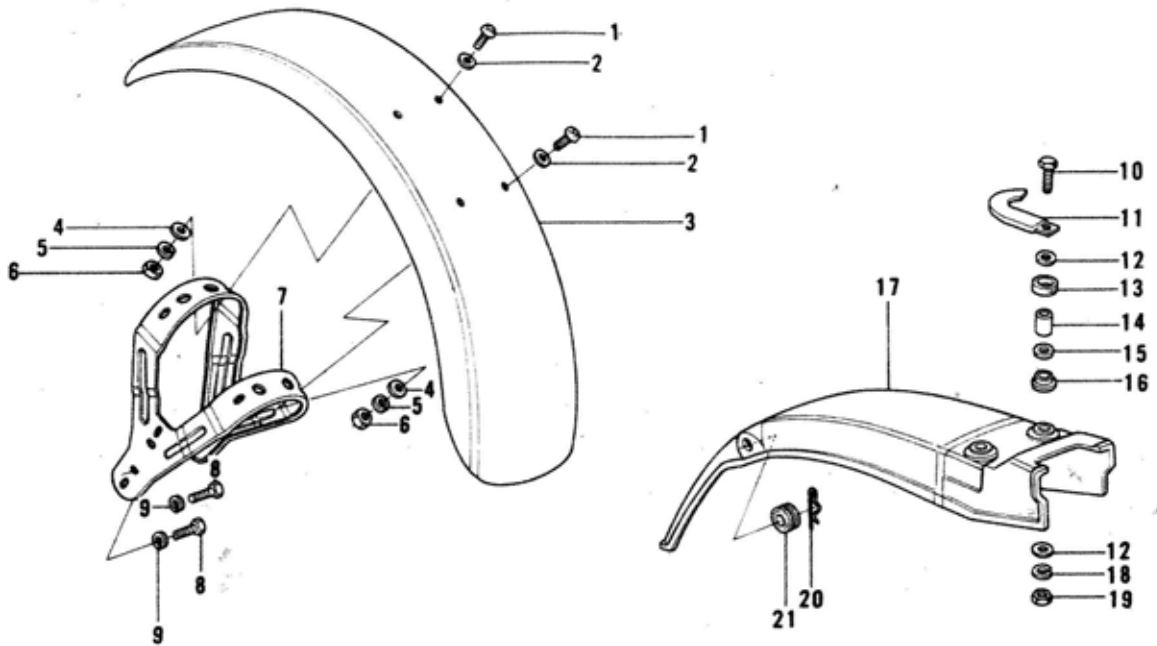
17. Front Fork (1/2)

Ref. No.	Part No.	Part Name	Quantity					Remarks
			ENGLAND	FRANCE	W. GERMANY	ITALY	OTHERS	
1	44001-177	FRONT FORK ASSY	1	1		1	1	
	44001-186	FRONT FORK ASSY			1			
2	44041-037	BOLT, fork top	2	2	2	2	2	
3	44046-017	"O" RING, fork top	2	2	2	2	2	
4	44039-051	HEAD, steering stem	1	1	1	1	1	
5	461F0800	WAHERR, spring, 8 m/m	7	7	7	7	7	
6	44041-044	BOLT, hex head, 8 x 30	2	2	2	2	2	
7	44041-042	BOLT, hex head, 8 m/m	1	1	1	1	1	
8	92019-022	NUT, lock, 8 m/m	5	5	5	5	5	
9	44045-039	CASKET, fork cover	2	2	2	2	2	
10	44043-047	GUIDE, fork cover	2	2	2	2	2	
11	44033-067	COVER, L.H. fork	1	1	1	1	1	
12	44034-067	COVER, R.H. fork	1	1	1	1	1	
13	44032-005	GUIDE, fork cover	2	2	2	2	2	
14	44045-029	GASKET, fork cover	2	2	2	2	2	
15	44064-015	GUIDE, fork cover	2	2	2	2	2	
16	44037-097	STEM, steering	1	1		1	1	
	44037-102	STEM, steering			1			
17	461F1000	WASHER, spring, 10 m/m	2	2	2	2	2	
18	113B1032	BOLT, hex head, 10 x 32	2	2	2	2	2	
19	44028-026	SPACER, fork spring guide	2	2	2	2	2	
20	44029-019	GUIDE, fork spring	2	2	2	2	2	
21	44026-043	SPRING, fork	2	2	2	2	2	
22	44013-038	TUBE, fork inner	2	2	2	2	2	
23	44022-034	CYLINDER, fork	2	2	2	2	2	
24	44018-009	PISTON, fork	2	2	2	2	2	
25	44044-019	CIRCLIP, fork piston	2	2	2	2	2	
26	44010-035	DUST SHIELD	2	2	2	2	2	
27	44044-005	CIRCLIP	2	2	2	2	2	
28	44043-023	WASHER, plain	2	2	2	2	2	
29	44009-026	OIL SEAL	2	2	2	2	2	
30	44005-061	TUBE, L.H. fork outer	1	1	1	1	1	
31	44006-059	TUBE, R.H. fork outer	1	1	1	1	1	

17. Front Fork (2/2)

Ref. No.	Part No.	Part Name	Quantity					Remarks
			ENGLAND	FRANCE	W. GERMANY	ITALY	OTHERS	
32	44045-002	CASKET, fork drain plug	2	2	2	2	2	
33	220B0408A	SCREW, pan head, 4 x 8	2	2	2	2	2	
34	44045-034	GASKET, fork cylinder bolt	2	2	2	2	2	
35	44041-040	BOLT, fork cylinder	2	2	2	2	2	
36	172G0830	STUD, 8 x 30	4	4	4	4	4	
37	44063-012	HOLDER, front axle	2	2	2	2	2	
38	92007-031	BOLT, steering stem head	1	1	1	1	1	
39	92022-230	WASHER, steering stem head bolt	1	1	1	1	1	
40	46100-003	WASHER, wave	1	1	1	1	1	
41	92090-007	NUT, steering stemlock	1	1	1	1	1	
42	46098-010	CAP, steering stem	1	1	1	1	1	
43	92047-006	RACE INNER, steering ball	2	2	2	2	2	
44	92037-099	CLAMP, cable	1	1	1	1	1	
45	411B0600	WASHER, plain, 6 m/m	1	1	1	1	1	
46	461F0600	WASHER, spring, 6 m/m	1	1	1	1	1	
47	110B0612	BOLT, hex head, 6 x 12	1	1	1	1	1	

18. Fenders (1/2)



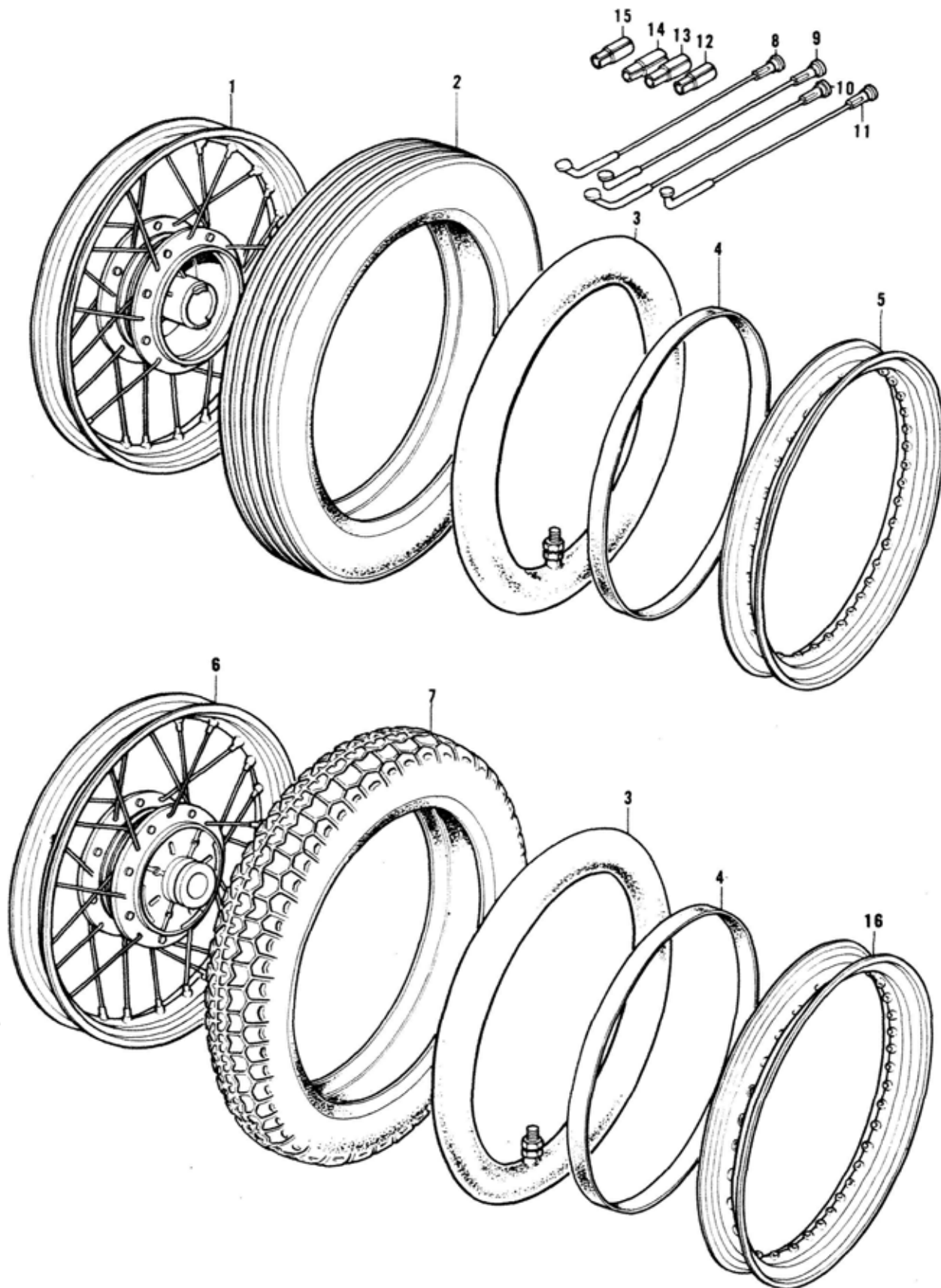
18. Fenders (1/2)

Ref. No.	Part No.	Part Name	Quantity					Remarks
			ENGLAND	FRANCE	W. GERMANY	ITALY	OTHERS	
1	220E0614	SREW, pan head, 6 x 14	4	4	4	4	4	
2	92022-193	WASHER, plain, 6 m/m	4	4	4	4	4	
3	35004-084	FENDER, front	1	1	1	1	1	
4	411B0600	WASHER, plain, 6 m/m	4	4	4	4	4	
5	461F0600	WASHER, spring, 6 m/m	4	4	4	4	4	
6	310B0600	NUT, 6 m/m	4	4	4	4	4	
7	35009-028	BRACE, front fender	1	1	1	1	1	
8	110B0816	BOLT, hex head, 8 x 16	4	4	4	4	4	
9	461F0800	WASHER, spring, 8 m/m	4	4	4	4	4	
10	110B0636	BOLT, hex head, 6 x 36	2	2	2	2	2	
11	92037-113	CLAMP, wire harness	2	2	2	2	2	
12	92022-228	WASHER, plain	4	4	4	4	4	
13	92075-121	DAMPER RUBBER	2	2	2	2	2	
14	92027-241	COLLAR	2	2	2	2	2	
15	92022-227	WASHER, plain	2	2	2	2	2	
16	92075-133	DAMPER RUBBER	2	2	2	2	2	
17	35022-099	FENDER, rear	1	1	1	1	1	
18	461F0600	WASHER, spring, 6 m/m	2	2	2	2	2	
19	310B0600	NUT, 6 m/m	2	2	2	2	2	
20	92041-003	PIN, cotter	2	2	2	2	2	
21	92075-105	DAMPER RUBBER	2	2	2	2	2	
22	35022-145	FENDER, rear	1			1	1	
23	35025-024	BRACKET, rear fender	1	1	1	1	1	
24	32111-003	PIN	1	1	1	1	1	
25	92075-076	DAMPER RUBBER	2	2	2	2	2	
26	92027-129	COLLAR	2	2	2	2	2	L=8.5 m/m
27	92027-259	COLLAR	1	1	1	1	1	L=26 m/m
28	220E0620	SCREW, pan head, 6 x 20	2	2	2	2	2	
29	461F0600	WASHER, spring, 6 m/m	4	4	4	4	4	
30	411B0600	WASHER, plain, 6 m/m	4	4	4	4	4	
31	310B0600	NUT, 6 m/m	2	2	2	2	2	
32	110B0616	BOLT, hex head, 6 x 16	2	2	2	2	2	
33	92022-125	WASHER, plain, 6 m/m	2	2	2	2	2	
34	35022-146	FENDER, rear		1	1			
35	28012-015	REFLECTOR, rear reflex		1	1			

18. Fenders (2/2)

R ef. No.	Part No.	Part Name	Quantity					Remarks
			ENGLAND	FRANCE	W. GERMANY	ITALY	OTHERS	
36	28013-008	BRACKET, reflex reflector		1	1			
37	310B0500A	NUT, 5 m/m		1	1			
38	461F0500	WASHER, spring, 5 m/m		1	1			
39	220B0614	SCREW, pan head, 6 x 14		2	2			
40	411B0600	WASHER, plain, 6 m/m		4	4			
41	310B0600	NUT, 6 m/m		2	2			
42	461F0600	WASHER, spring, 6 m/m		2	2			

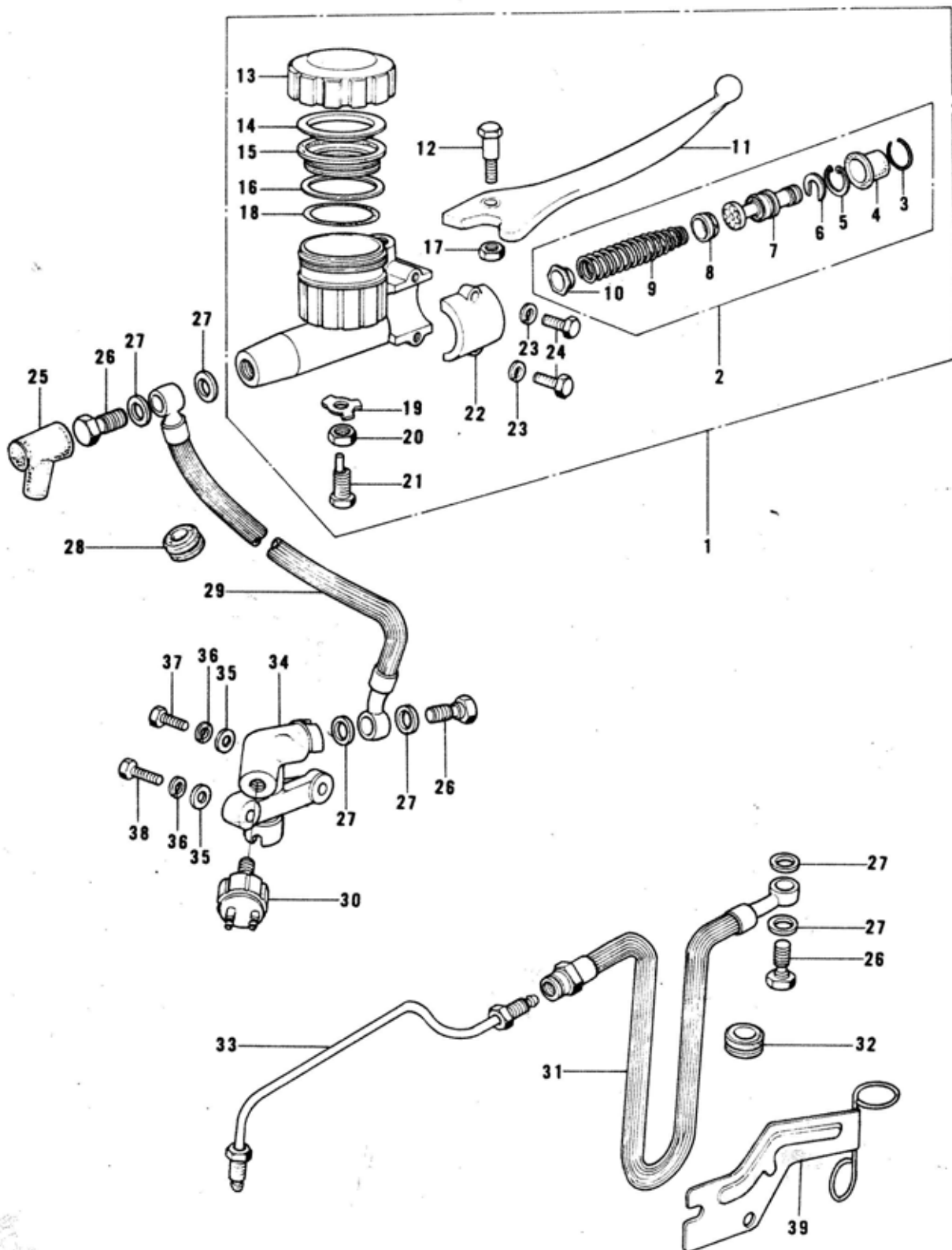
19. Wheels



19. Wheels

Ref. No.	Part No.	Part Name	Quantity	Remarks
1	41074-048	WHEEL ASSY, front	1	
2	41021-057	TIRE, 3.25S-18 4PR	1	Y-984C
3	41022-028	TUBE, 3.25/3.50-18	2	
4	41023-017	BAND, rim	2	
5	41025-075	RIM, 1.85B x 18W	1	
6	42048-036	WHEEL ASSY, rear	1	
7	41021-058	TIRE, 3.50S-18 4PR	1	Y-987A
8	41027-054	SPOKE ASSY, front inner	20	174.5 m/mx102°
9	41028-054	SPOKE ASSY, front outer	20	174 m/mx83°
10	41027-046	SPOKE ASSY, rear inner	20	147 m/mx104°
11	41028-045	SPOKE ASSY, rear outer	20	146 m/mx85°
12	41075-001	WEIGHT, balance, 10g	AR	
13	41075-002	WEIGHT, balance, 20g	AR	
14	41075-003	WEIGHT, balance, 30g	AR	
15	41075-004	WEIGHT, balance, 5g	AR	
16	41025-053	RIM, 1.85B x 18w	1	

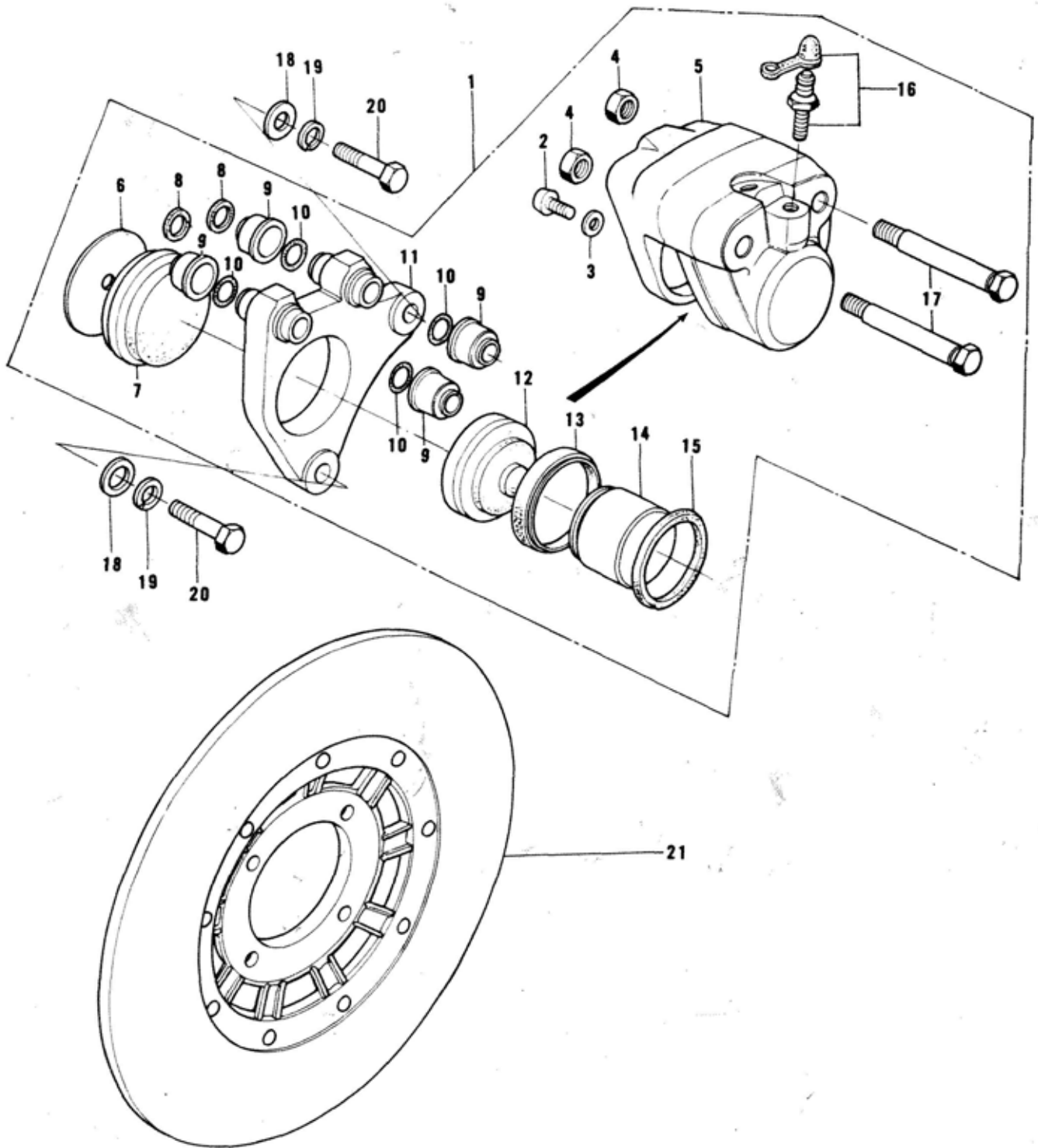
20. Disc Brake Equipment A



20. Disc Brake Equipment A

Ref. No.	Part No.	Part Name	Quantity	Remarks
1	43015-020	CYLINDER ASSY, master	1	
2	43073-001	REPAIR SET, master cylinder	1	
3	43025-001	STOPPER, dust cover	1	
4	43024-001	DUST COVER	1	
5	481J1800	CIRCLIP, 18 m/m	1	
6	43022-001	STOPPER	1	
7	43072-001	PISTON ASSY	1	
8	43019-001	CUP, primary	1	
9	43018-001	SPRING ASSY, return	1	
10	43017-001	VALVE ASSY, check	1	
11	43029-003	LEVER, front brake	1	
12	43033-004	BOLT, handle lever pivot	1	
13	43026-003	CAP, oil cup	1	
14	43027-001	PLATE, diaphragm	1	
15	43028-001	DIAPHRAGM	1	
16	43053-003	RING, seal	1	
17	312N0600	NUT, 6m/m	1	
18	43079-001	"O" RING	1	
19	43031-001	WASHER, lock	1	
20	313N0800	NUT, 8 m/m	1	
21	43030-003	BOLT, lever adjust	1	
22	43034-001	HOLDER, master cylinder	1	
23	411B0600	WASHER, plain, 6 m/m	2	
24	110N0625	BOLT, hex head, 6 x 25	2	
25	43069-002	DUST COVER	1	
26	43066-001	BOLT, oil	3	
27	43067-001	WASHER, oil bolt	6	
28	43064-005	DAMPER RUBBER	1	
29	43059-010	HOSE, master cylinder brake	1	
30	43065-001	SWITCH ASSY, front brake	1	
31	43059-008	HOSE, caliper brake	1	
32	43064-001	DAMPER RUBBER	1	
33	43060-017	PIPE, bridge	1	
34	43061-002	JOINT, three way	1	
35	411B0600	WASHER, plain, 6 m/m	2	
36	461F0600	WASHER, spring, 6 m/m	2	
37	110N0622	BOLT, hex head, 6 x 22	1	
38	110N0632	BOLT, hex head, 6 x 32	1	
39	43063-006	BRACKET	1	

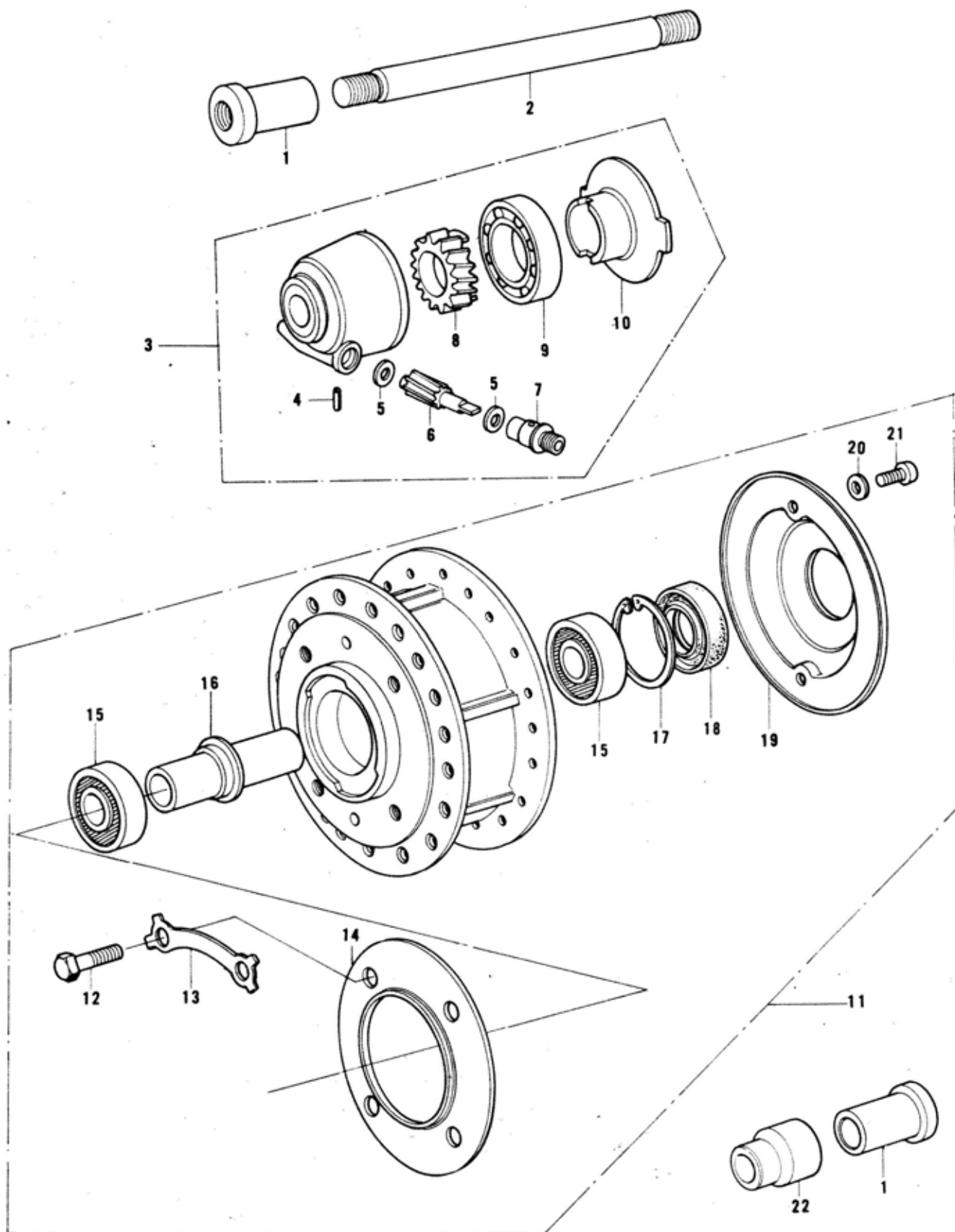
21. Disc Brake Equipment B



21. Disc Brake Equipment B

Ref. No.	Part No.	Part Name	Quantity	Remarks
1	43041-020	CALIPER ASSY	1	
2	220B0612	SCREW, pan head, 6 x 12	1	
3	461F0600	WASHER, spring, 6 m/m	1	
4	315B1000	NUT, 10 m/m	2	
5	43042-008	BODY, caliper	1	
6	43040-004	SPACER	1	
7	43051-008	∇ PAD B	1	
8	43088-002	PLUG	2	
9	43052-005	DUST SHIELD	4	
10	43053-006	"O" RING	4	
11	43044-008	HOLDER, caliper	1	
12	43050-007	∇ PAD A	1	
13	43054-003	DUST SHIELD, rubber	1	
14	43048-006	PISTON	1	
15	43049-002	SEAL, piston	1	
16	43085-001	BREEDER	1	
17	43045-006	BOLT	2	
18	410B1000	WASHER, plain, 10 m/m	2	
19	461F1000	WASHER, spring, 10 m/m	2	
20	92007-032	BOLT, hex head, 10 m/m	2	
21	<u>41080-006</u>	DISC COMPLETE	1	

22. Front Hub

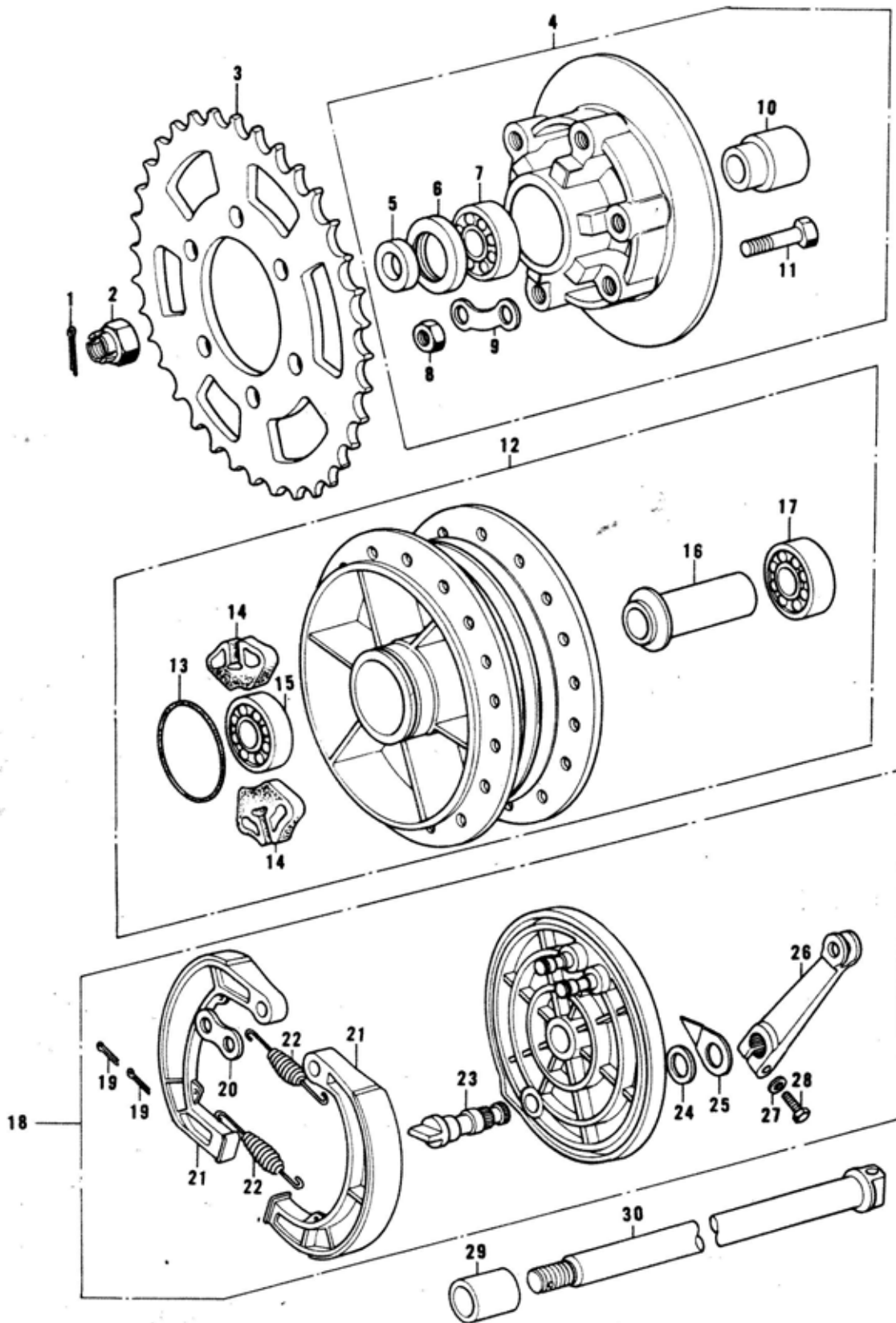


KH400-A3

22. Front Hub

Ref. No.	Part No.	Part Name	Quantity	Remarks
1	41069-034	COLLAR, front axle	2	
2	41068-050	AXLE, front	1	
3	41078-008	GEAR BOX ASSY	1	
4	41082-001	SPRING PIN	1	
5	41063-001	WASHER	2	
6	41060-017	PINION, speedometer	1	
7	41062-005	BUSHING, speedometer cable	1	
8	41059-026	GEAR, speedometer	1	
9	654A304208	OIL SEAL, #30428	1	
10	41064-013	RECEIVER, speedometer gear	1	
11	41034-041	DRUM ASSY, front brake	1	
12	92001-158	BOLT, hex head, 10 x 32	4	
13	92088-023	WASHER, lock	2	
14	41042-014	DUST COVER, L.H.	1	
15	601B6203	BEARING, ball, #6203	2	
16	41039-028	COLLAR, bearing	1	
17	481J4000	CIRCLIP, 40 m/m	1	
18	654A254008	OIL SEAL, #25408	1	
19	41042-016	DUST COVER, R.H.	1	
20	410B0500	WASHER, plain 5 m/m	2	
21	220B0512A	SCREW, pan head, 5 x 12	2	
22	41069-032	COLLAR, front axle	1	

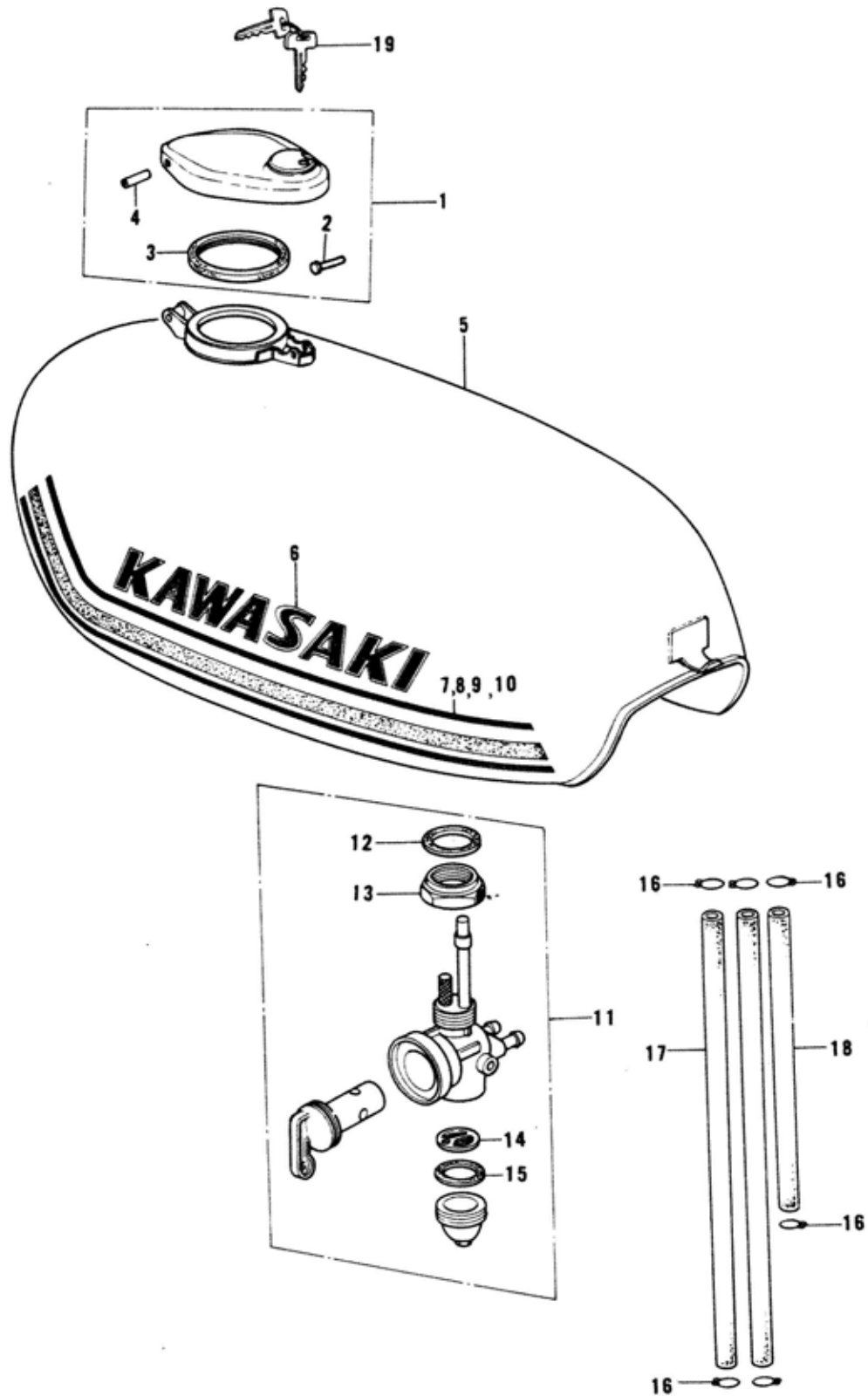
23. Rear Hub



23. Rear Hub

Ref. No.	Part No.	Part Name	Quantity	Remarks
1	550D4035	PIN, cotter, 4.0 x 35	1	
2	92015-055	NUT, 16 m/m	1	
3	42041-138	REAR SPROCKET 41T	1	STD
	42041-063	REAR SPROCKET, 38T	(1)	Option
	42041-102	REAR SPROCKET, 43T	(1)	Option
4	42008-020	COUPLING ASSY, rear hub	1	
5	42037-024	COLLAR, rear axle sleeve	1	
6	92052-006	OIL SEAL, WTC35527	1	
7	601B6205	BEARING, ball, #6205	1	
8	314B1000	NUT, 10 m/m	4	
9	92088-005	WASHER, lock	2	
10	42036-019	SLEEVE, rear axle	1	
11	92003-087	BOLT, rear sprocket fitting	4	
12	42005-044-80	DRUM ASSY, rear brake	1	Buff Finish
13	671B2560	"O" RING, 60 m/m	1	
14	42014-008	DAMPER, rear hub shock	4	
15	601B6303	BEARING, ball, #6303	1	
16	42010-027	SPACER, rear hub bearing	1	
17	601B6303Z	BEARING, ball, #6303Z	1	
18	42006-060-80	PANEL ASSY, rear brake	1	Buff Finish
19	550D2025	PIN, cotter, 2.0 x 25	2	
20	41045-007	WASHER, brake shoe	1	
21	42019-003	SHOE, brake	2	
22	41049-003	SPRING, brake shoe	2	
23	42026-015	CAM SHAFT, rear brake	1	
24	41051-001	DUST SHIELD, brake cam shaft	1	
25	41085-009	INDICATOR, brake shoe	1	
26	42029-037	LEVER, brake cam	1	
27	410B0600	WASHER, plain, 6 m/m	1	
28	110B0625	BOLT, hex head, 6 x 25	1	
29	42032-049	COLLAR, rear axle	1	
30	42031-047	AXLE, rear	1	

24. Fuel Tank

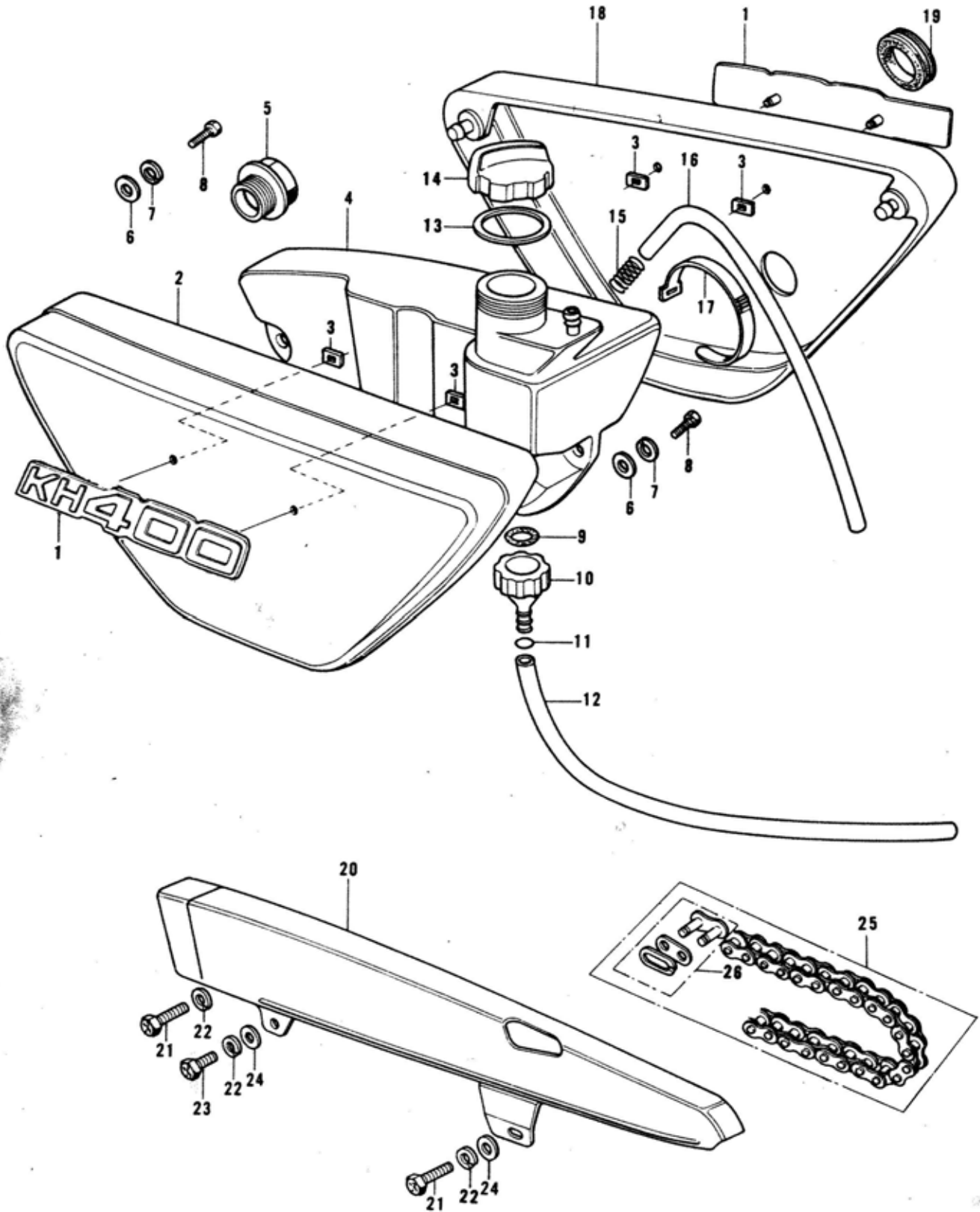


24. Fuel Tank

Ref. No.	Part No.	Part Name	Quantity	Remarks
1	51048-012	CAP ASSY, fuel tank	1	
2	92043-126	PIN, hook	1	
3	51059-008	GASKET, fuel tank cap	1	
4	92043-127	PIN, hinge	1	
5	51001-110-3V	TANK, fuel, Dark Green	1	
	51001-110-3W	TANK, fuel, Orange	1	
6	*56014-060-SP	DECAL, fuel tank	2	
7	*56027-324-SP	DECAL, fuel tank stripe, L.H.	1	} Use for Dark Green Color
8	*56027-325-SP	DECAL, fuel tank stripe, R.H.	1	
9	*56027-326-SP	DECAL, fuel tank stripe, L.H.	1	} Use for Orange Color
10	*56027-327-SP	DECAL, fuel tank stripe, R.H.	1	
11	51023-039	COCK ASSY, fuel	1	
12	92065-081	GASKET, fuel cock joint	1	
13	51035-009	NUT, fuel cock joint	1	
14	51038-007	STRAINER, fuel	1	
15	51037-010	GASKET, fuel cock cup	1	
16	92037-010	CLAMP, fuel pipe	6	
17	92059-073	PIPE, fuel	2	L=220 m/m
18	92059-068	PIPE, fuel	1	L=130 m/m
19	27008-055-01	KEY SET, #901	1	
	27008-055-02	KEY SET, #902	1	
	27008-055-03	KEY SET, #903	1	
	27008-055-04	KEY SET, #904	1	
	27008-055-05	KEY SET, #905	1	
	27008-055-06	KEY SET, #906	1	
	27008-055-07	KEY SET, #907	1	
	27008-055-08	KEY SET, #908	1	
	27008-055-09	KEY SET, #909	1	
	27008-055-10	KEY SET, #910	1	

*Special Solution is required for these transfer type marks.

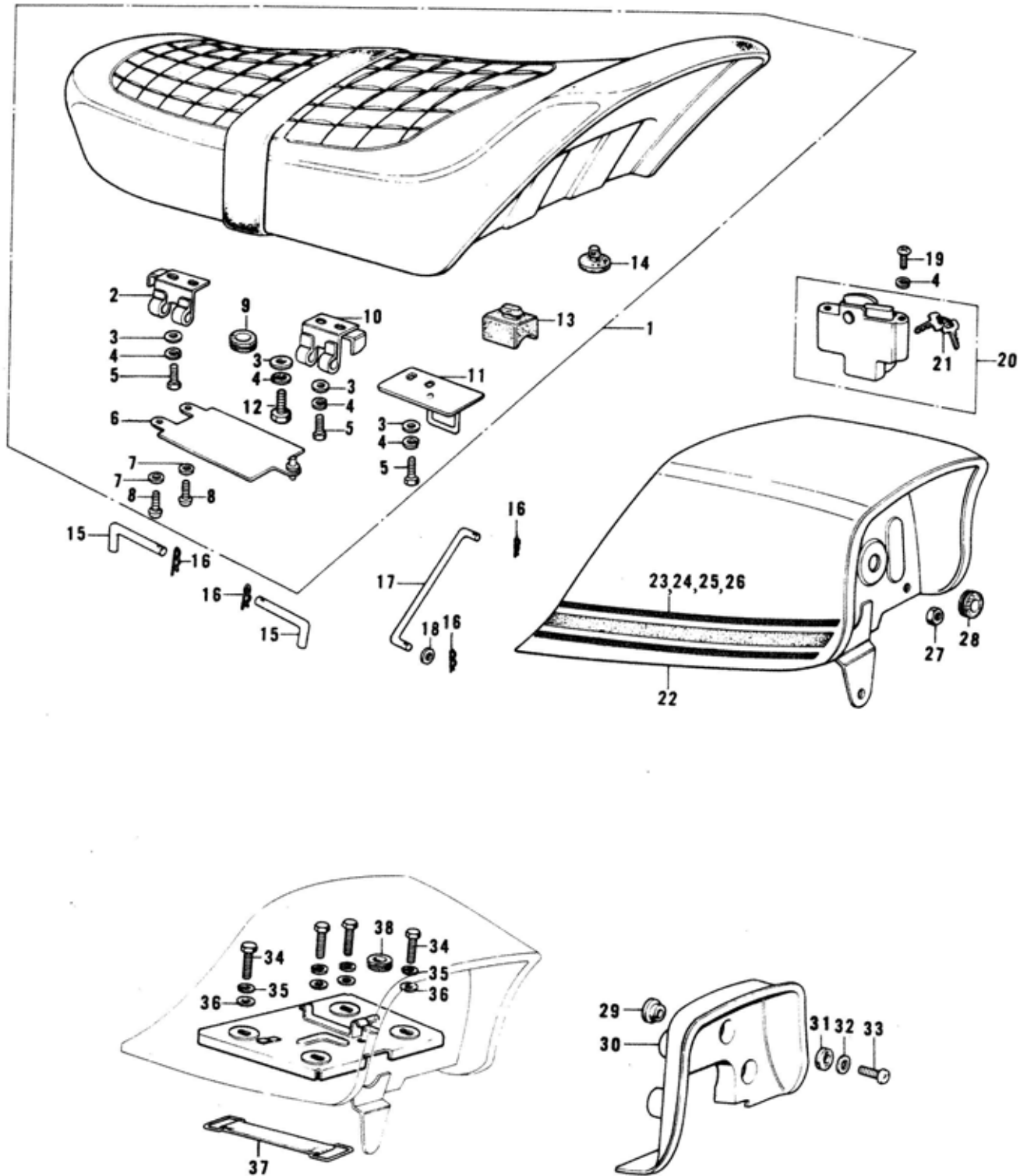
25. Oil Tank, Side Cover, Chain Cover



25. Oil Tank, Side Cover, Chain Cover

Ref. No.	Part No.	Part Name	Quantity	Remarks
1	56018-212	EMBLEM, side cover	2	
2	36001-043-3V	COVER, L.H. side Dark Green	1	
	36001-043-3W	COVER, L.H. side, Orange	1	
3	92018-005	NUT, lock	4	
4	52001-040	TANK, oil	1	
5	52015-005	GAUGE, oil level	1	
6	411B0600	WASHER, plain, 6 m/m	3	
7	461F0600	WASHER, spring, 6 m/m	3	
8	110R0614	BOLT, hex head, 6 x 14	3	
9	670B2015	"O" RING, 15 m/m	1	
10	52020-001	FILTER, oil	1	
11	92037-010	CLAMP	2	
12	92059-072	PIPE, oil	1	
13	92065-085	GASKET, oil tank cap	1	
14	52003-019	CAP, oil tank	1	
15	92037-151	CLAMP, breather pipe	1	
16	700Q05720	TUBE, vinyl, 5 x 720	1	
17	92072-031	BAND, rubber	1	
18	36007-037-3V	COVER, R.H. side, Dark Green	1	
	36007-037-3W	COVER, R.H. side, Orange	1	
19	92071-065	GROMMET, side cover	1	
20	36014-050-21	COVER, chain, Flat Black	1	
21	92001-121	BOLT, hex head, 6 x 14	2	
22	461F0600	WASHER, spring, 6 m/m	3	
23	92001-137	BOLT, hex head, 6 x 12	1	
24	92022-190	WASHER, plain 6 m/m	2	
25	92057-085	CHAIN ASSY, drive	1	104 Links
26	92058-006	JOINT ASSY, drive chain	1	

26. Dual Seat (2/2)



26. Dual Seat (1/2)

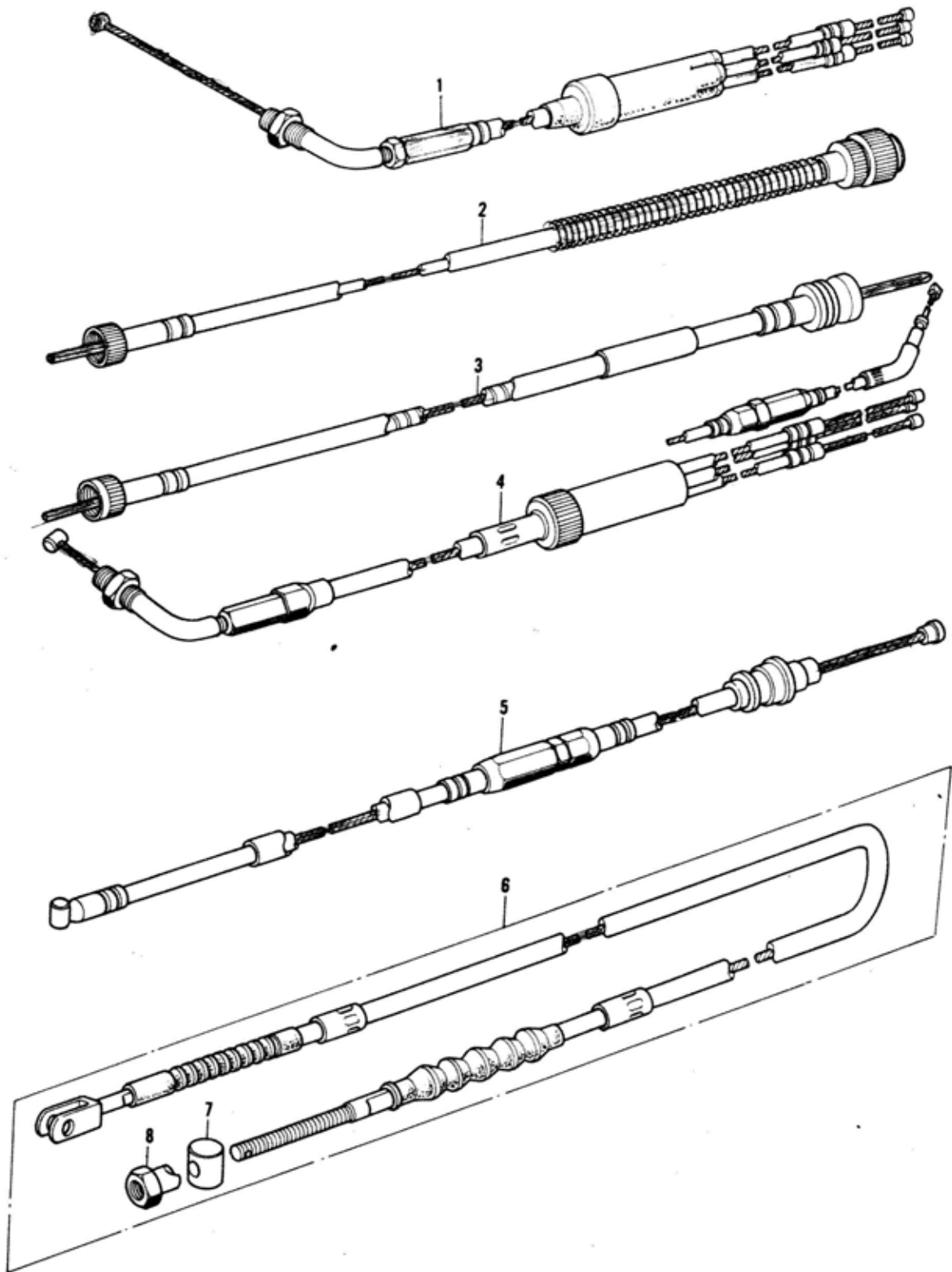
Ref. No.	Part No.	Part Name	Quantity	Remarks
1	53001-122	SEAT ASSY, dual	1	
2	53009-031	HINGE, front	1	
3	411B0600	WASHER, plain, 6 m/m	6	
4	461F0600	WASHER, spring, 6 m/m	8	
5	110B0614	BOLT, hex head, 6 x 14	4	
6	32099-011	CASE	1	
7	410B0400	WASHER, plain, 4 m/m	2	
8	220B0410A	SCREW, pan head, 4 x 10	2	
9	92071-066	GROMMET	1	
10	53009-030	HINGE, rear	1	
11	53008-024	HOOK	1	
12	110B0616	BOLT, hex head, 6 x 16	2	
13	92075-156	DAMPER RUBBER, dual seat	4	
14	92075-099	DAMPER RUBBER, dual seat	1	
15	53011-008	PIN, dual seat pivot	2	
16	92041-003	COTTER PIN	4	
17	53054-002	HOOK, seat stand	1	
18	410B0600	WASHER, plain, 6 m/m	1	
19	220B0614	SCREW, pan head, 6 x 14	2	
20	53045-013	HOOK ASSY	1	
21	27008-055-01	KEY SET, #901	1	
	27008-055-02	KEY SET, #902	1	
	27008-055-03	KEY SET, #903	1	
	27008-055-04	KEY SET, #904	1	
	27008-055-05	KEY SET, #905	1	
	27008-055-06	KEY SET, #906	1	
	27008-055-07	KEY SET, #907	1	
	27008-055-08	KEY SET, #908	1	
	27008-055-09	KEY SET, #909	1	
	27008-055-10	KEY SET, #910	1	
22	53043-008-3V	BACK REST, Dark Green	1	
	53043-008-3W	BACK REST, Orange	1	
23	*56027-334-SP	DECAL, back rest, L.H.	1	Use for Dark Green Color
24	*56027-335-SP	DECAL, back rest, R.H.	1	
25	*56027-336-SP	DECAL, back rest, L.H.	1	Use for Orange Color
26	*56027-337-SP	DECAL, back rest, R.H.	1	
27	311B0600	NUT, 6 m/m	4	
28	92071-059	GROMMET	1	

* Special Solution is required for these transfer type marks.

26. Dual Seat (2/2)

Ref. No.	Part No.	Part Name	Quantity	Remarks
29	92075-169	DAMPER RUBBER, back rest	4	
30	53057-004	COVER, back rest	1	
31	92075-168	DAMPER RUBBER, back rest	4	
32	92022-240	WASHER, plain	4	
33	220B0628	SCREW, pan head, 6 x 28	4	
34	110B0818	BOLT, hex head, 8 x 18	4	
35	461F0800	WASHER, spring, 8 m/m	4	
36	411B0800	WASHER, plain, 8 m/m	4	
37	92072-012	BAND, tool	1	
38	92071-019	GROMMET	1	

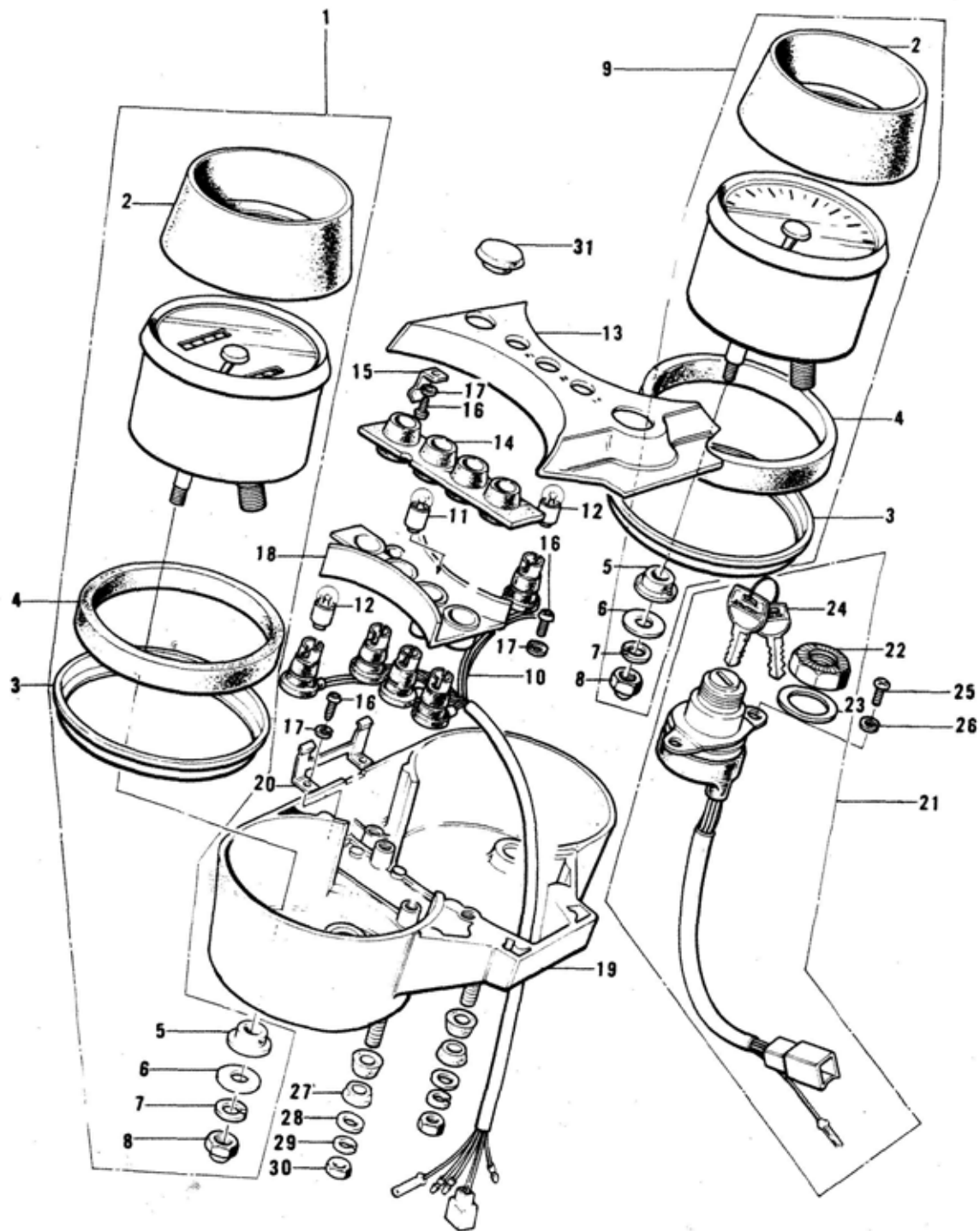
27. Cables



27. Cables

Ref. No.	Part No.	Part Name	Quantity	Remarks
1	54017-062	CABLE, starter	1	
2	54018-016	CABLE, tachometer	1	
3	54001-041	CABLE, speedometer	1	
4	54012-099	CABLE, throttle control	1	
5	54011-054	CABLE, clutch	1	
6	54022-026	CABLE, rear brake	1	
7	92043-053	JOINT, brake cable	1	
8	92015-041	NUT, brake cable adjust	1	

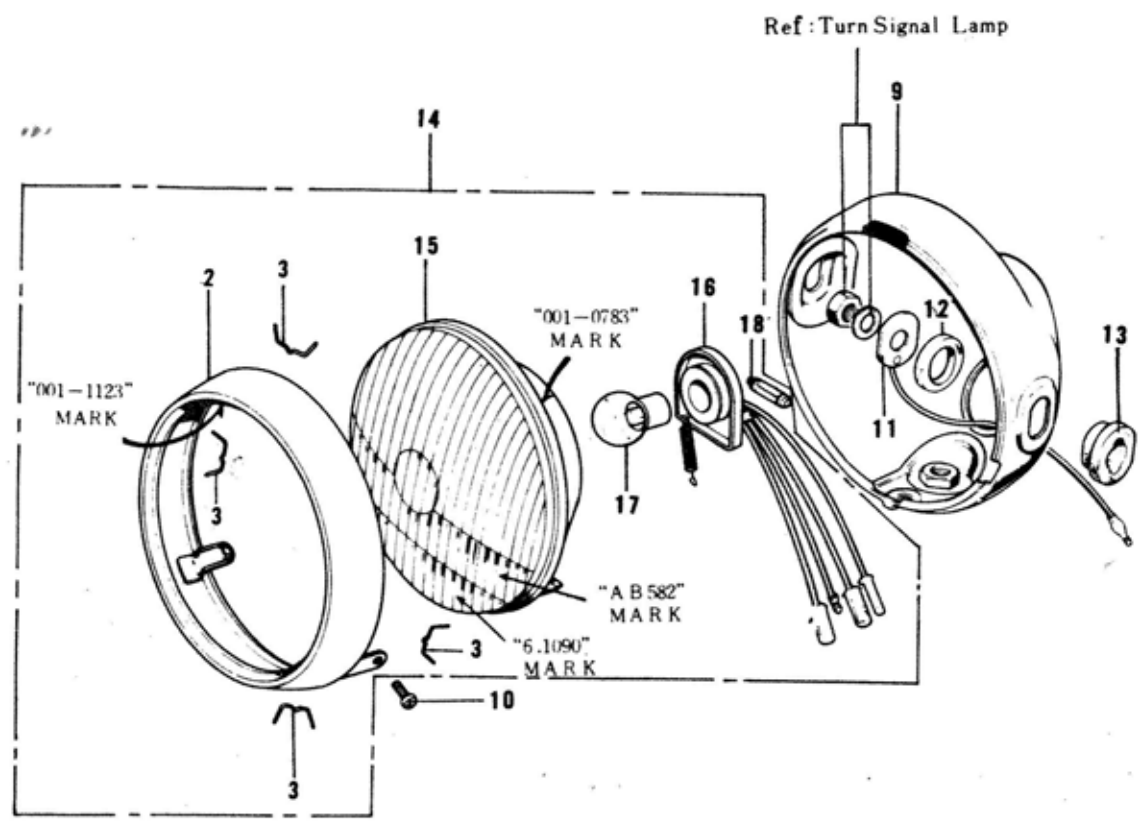
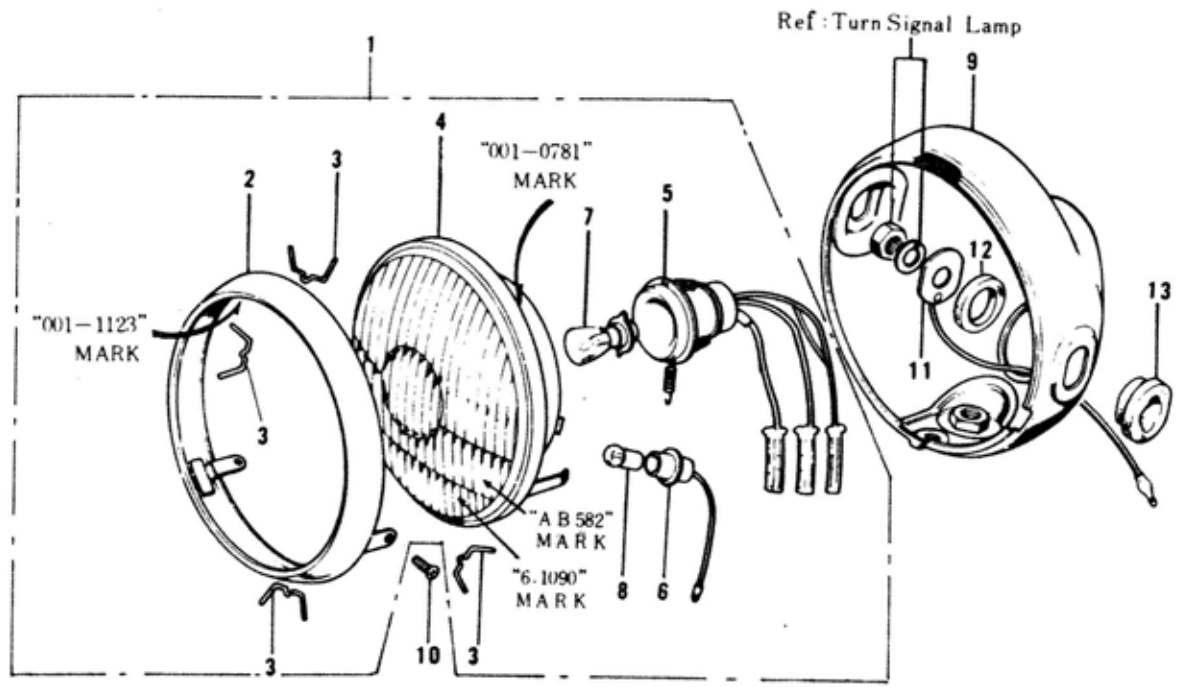
28. Electrical Equipment A



28. Electrical Equipment A

Ref. No.	Part No.	Part Name	Quantity					Remarks
			ENGLAND	FRANCE	W. GERMANY	ITALY	OTHERS	
1	25005-124	SPEEDOMETER ASSY, MPH	1					
	25005-076	SPEEDOMETER ASSY, KPH		1	1	1	1	
2	25012-012	COVER, meter	2	2	2	2	2	
3	25026-001	RING, meter	2	2	2	2	2	
4	25019-015	DAMPER RUBBER, meter	2	2	2	2	2	
5	25019-013	DAMPER RUBBER, meter case fitting	4	4	4	4	4	
6	411B0500	WASHER, plain, 5 m/m	4	4	4	4	4	
7	461F0500	WASHER, spring, 5 m/m	4	4	4	4	4	
8	92015-059	NUT, 5 m/m	4	4	4	4	4	
9	25016-020	TACHOMETER ASSY	1	1	1	1	1	
10	25011-030	SOCKET, meter	1	1	1	1	1	
11	92069-017	BLUB, 12V 1.5W	1	1	1	1	1	
12	92069-018	BLUB, 12V 3W	4	4	4	4	4	
13	25023-009	COVER, meter case	1	1	1	1	1	
14	25019-014	DAMPER, meter shock	1	1	1	1	1	
15	25014-004	HOLDER B, meter case cover	2	2	2	2	2	
16	220B0408A	SCREW, pan head, 4 x 8	6	6	6	6	6	
17	461F0400	WASHER, spring, 4 m/m	6	6	6	6	6	
18	25023-003	COVER, meter socket	1	1	1	1	1	
19	25008-026	CASE, meter	1	1	1	1	1	
20	25014-003	HOLDER A, meter case	1	1	1	1	1	
21	27005-061	SWITCH ASSY, ignition	1	1	1	1	1	
22	27007-003	NUT, ignition switch	1	1	1	1	1	
23	27019-002	WASHER, ignition switch	1	1	1	1	1	
24	27008-055-01	KEY SET, #901	1	1	1	1	1	
	27008-055-02	KEY SET, #902	1	1	1	1	1	
	27008-055-03	KEY SET, #903	1	1	1	1	1	
	27008-055-04	KEY SET, #904	1	1	1	1	1	
	27008-055-05	KEY SET, #905	1	1	1	1	1	
	27008-055-06	KEY SET, #906	1	1	1	1	1	
	27008-055-07	KEY SET, #907	1	1	1	1	1	
	27008-055-08	KEY SET, #908	1	1	1	1	1	
	27008-055-09	KEY SET, #909	1	1	1	1	1	
	27008-055-10	KEY SET, #910	1	1	1	1	1	
25	220B0508A	SCREW, pan head, 5 x 8	2	2	2	2	2	
26	461F0500	WASHER, spring, 5 m/m	2	2	2	2	2	
27	92075-080	PAMPER RUBBER	4	4	4	4	4	
28	411B0800	WASHER, plain, 8 m/m	2	2	2	2	2	
29	461F0800	WASHER, spring, 8 m/m	2	2	2	2	2	
30	310B0800	NUT, 8 m/m	2	2	2	2	2	
31	92074-032	PLUG, rubber	1	1	1	1	1	

29. Electrical Equipment B



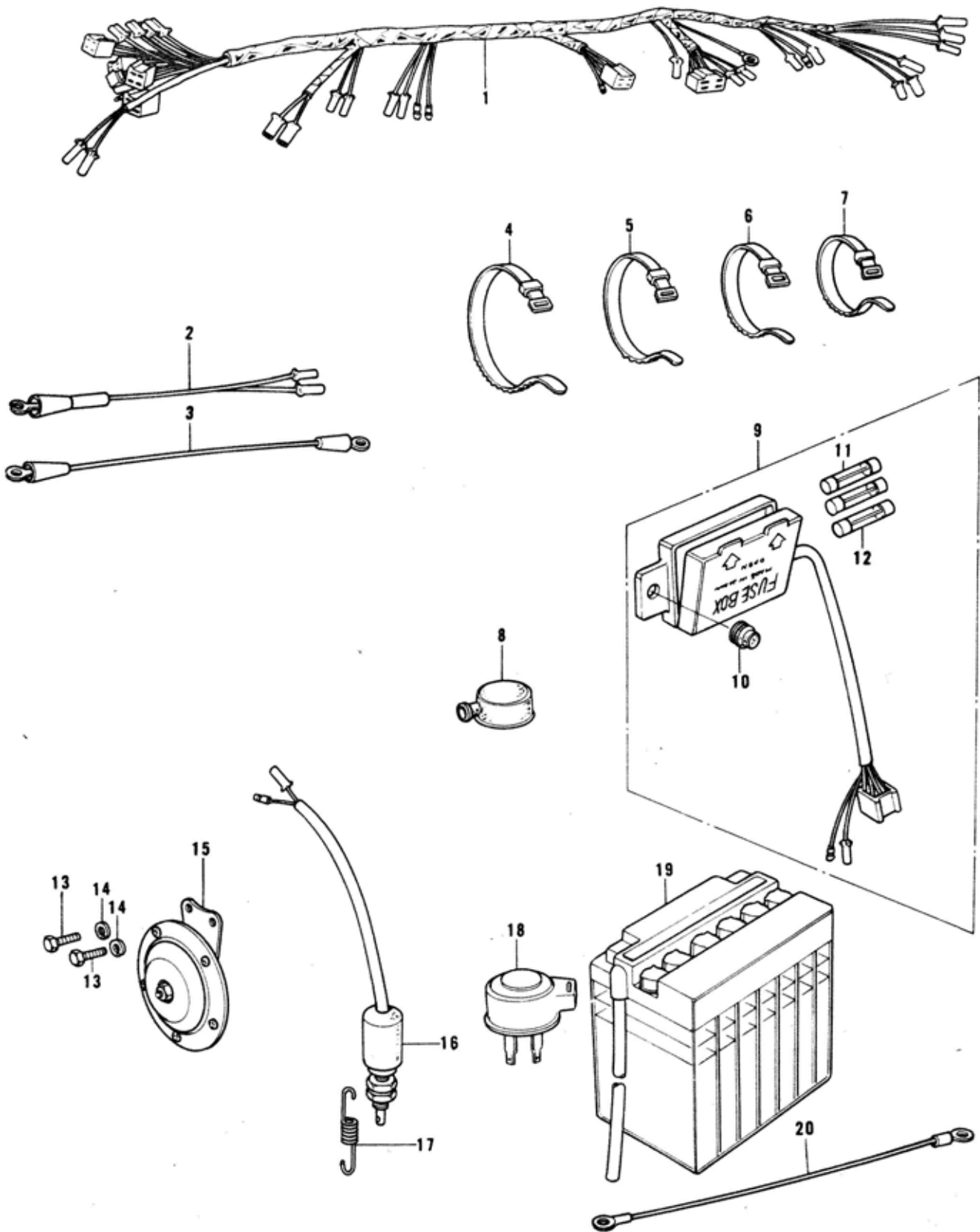
29. Electrical Equipments B

Ref. No.	Part No.	Part Name	Quantity					Remarks
			ENGLAND	FRANCE	W. GERMANY	ITALY	OTHERS	
1	23004-061	LAMP UNIT, head	1		1	1	1	
2	23006-036	RIM, head lamp	1	1	1	1	1	
3	23009-013	CLAMP, head lamp lens	4	4	4	4	4	
4	23007-064	SEALED BEAM UNIT	1		1	1	1	
5	23008-035	SOCKET, head lamp	1		1	1	1	
6	23008-036	SOCKET, parking lamp	1		1	1	1	
7		BULB, 12V-35/35W	1		1	1	1	} Local Procurement Items
8		BULB, 12V-4W	1		1	1	1	
9	23005-038-21	BODY, headlamp	1	1	1	1	1	Flat Black
10	23019-022	SCREW, pan head, 5 m/m	2	2	2	2	2	
11	23076-005	COLLAR SET	2	2	2	2	2	
12	23066-001	DAMPER RUBBER A	2	2	2	2	2	
13	23066-005	DAMPER RUBBER B	2	2	2	2	2	
14	23004-044	LAMP UNIT, head		1				
15	23007-047	SEALED BEAM UNIT		1				
16	23008-034	SOCKET, head lamp		1				
17		BULB, 12V-36/36W		1				} Local Procurement Items
18		BULB, 12V-4W		1				

30. Electrical Equipment C

Ref. No.	Part No.	Part Name	Quantity					Remarks
			ENGLAND	FRANCE	W. GERMANY	ITALY	OTHERS	
1	23024-030-21	LAMP ASSY, tail	1	1			1	Flat Black
	23024-071-21	LAMP ASSY, tail			1			Flat Black
	23024-054-21	LAMP ASSY, tail				1		Flat Black
2	220E0435A	SCREW, pan head, 4 x 35	2	2	2	2	2	
3	23026-027	LENS, tail lamp	1	1			1	
	23026-036	LENS, tail lamp			1			
	23026-029	LENS, tail lamp				1		
4		BULB, 12V-21/5W	1	1	1	1	1	Local Procurement Item
5	23028-018	GASKET, tail lamp lens	1	1	1	1	1	
6	23027-036	CASE, tail lamp	1	1	1	1	1	
7	23036-027-21	BRACKET, license plate	1	1	1	1	1	Flat Black
8	92075-076	DAMPER RUBBER	3	3	3	3	3	
9	92027-129	COLLAR	3	3	3	3	3	L=8.5 m/m
10	92022-125	WASHER, plain, 6 m/m	6	6	6	6	6	
11	110B0622	BOLT, hex head, 6 x 22	6	6	6	6	6	
12	461F0600	WASHER, spring, 6 m/m	3	3	3	3	3	
13	92027-120	COLLAR	3	3	3	3	3	L=10.5 m/m
14	92075-112	DAMPER RUBBER	3	3	3	3	3	
15	23040-045	LAMP ASSY, front turn signal	2	2	2	2	2	
16	220E0420A	SCREW, pan head, 4 x 20	8	8	8	8	8	
17	23058-002	WASHER, plain, 4 m/m	8	8	8	8	8	
18	23048-013	LENS, front turn signal lamp	2	2	2	2	2	"045-6588" MARK
19	23050-003	GASKET, turn signal lamp lens	4	4	4	4	4	
20		BULB, 12V-21W	4	4	4	4	4	Local Procurement Item
21	110N0630	BOLT, hex head, 6 x 30	4	4	4	4	4	
22	411D0600	WASHER, plain, 6 mm	8	8	8	8	8	
23	461F0600	WASHER, spring, 6 mm	4	4	4	4	4	
24	310B0600	NUT, 6 m/m	4	4	4	4	4	
25	23078-001	BRACKET, turn signal lamp	4	4	4	4	4	
26	23073-001	BOLT SET, signal lamp bracket	4	4	4	4	4	
27	92075-128	DAMPER RUBBER	4	4	4	4	4	
28	315B1000	NUT, 10 m/m	4	4	4	4	4	
29	23040-046	LAMP ASSY, rear turn signal	2	2	2	2	2	
30	23048-016	LENS, rear turn signal lamp	2	2	2	2	2	"045-6680" MARK
31	92075-158	DAMPER RUBBER	2	2	2	2	2	
32	23076-003	COLLAR SET	2	2	2	2	2	
33	461F1000	WASHER, spring, 10 m/m	2	2	2	2	2	
34	411B1000	WASHER, plain, 10 m/m	2	2	2	2	2	

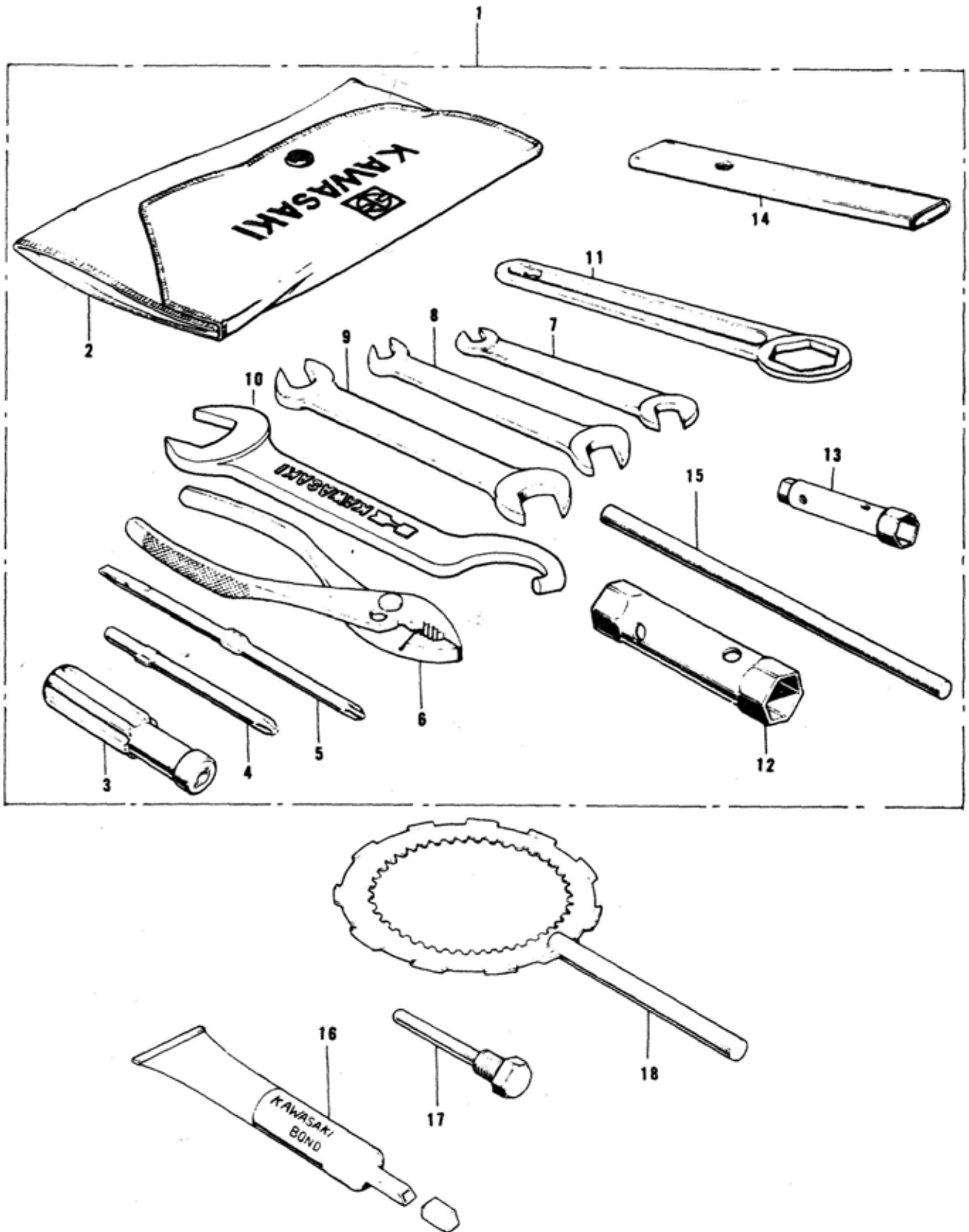
31. Electrical Equipment D



31. Electrical Equipment D

Ref. No.	Part No.	Part Name	Quantity	Remarks
1	26001-132	WIRING HARNESS, main	1	
2	26010-033	WIRE, battery lead	1	
3	26010-017	WIRE, battery ground lead	1	
4	92072-032	BAND, rubber	1	L=218 m/m
5	92072-056	BAND, rubber	2	L=186 m/m
6	92072-031	BAND, rubber	2	L=149 m/m
7	92072-030	BAND, rubber	5	L=123 m/m
8	92073-001	CAP, rubber	1	
9	26004-035	FUSE ASSY	1	
10	92075-279	DAMPER RUBBER	1	
11	26006-005	FUSE, 20A	2	
12	26006-003	FUSE, 10A	3	
13	110B0816	BOLT, hex head, 8 x 16	2	
14	461F0800	WASHER, spring, 8 m/m	2	
15	27003-066	HORN	1	
16	27010-015	SWITCH, brake lamp	1	
17	27011-013	SPRING, brake lamp switch	1	
18	27002-011	RELAY, turn signal	1	
19	26012-022	BATTERY	1	
20	26011-084	WIRE, ground lead	1	L=120 m/m

32. Tools, Optional Parts



32. Tools, Optional Parts

Ref. No.	Part No.	Part Name	Quantity	Remarks
1	56007-054	TOOL KIT	1	
2	56008-007	BAG, tool	1	
3	92106-002	GRIP, screw driver	1	
4	92107-005	SCREW DRIVER, #3 phillips	1	
5	92107-003	SCREW DRIVER, #2 phillips & slot	1	
6	92112-003	PLIERS, 150 m/m	1	
7	92126-001	WRENCH, open end, 8 x 10	1	
8	92126-002	WRENCH, opened, 12 x 13	1	
9	92126-003	WRENCH, opened, 14 x 17	1	
10	92126-012	WRENCH, hook, 22 m/m	1	
11	92109-009	WRENCH, box, 27 m/m	1	
12	92110-012	WRENCH, box, 17 x 21	1	
13	92110-007	WRENCH, box, 10 m/m	1	
14	92111-004	BAR, wrench	1	
15	92111-005	BAR, spark plug wrench	1	
16	92104-002	LIQUID GASKET	100g Tube	} Option
17	56019-106	PULLER, magneto	(1)	
18	57001-303	HOLDER, clutch	(1)	

Numerical Parts Index

* : Indicates the Newly developed parts for Kawasaki Model KH400-A3.

Part No.	Page	Q.ty	Part No.	Page	Q.ty
11080608	39	1	13002-025	6	3
11080612	30	1	13008-049	6	3
11080612	23	3	13024-054	6	3
11080612	43	1	13025-053	6	3
11080614	62	3	13027-060	6	3
11080614	63	4	13029-062	6	3
11080614	22	2	13031-040	6	1
11080616	31	2	13033-007	6	3
11080616	19	4	13058-038	15	1
11080616	63	2	13061-015	15	1
11080616	46	2	13063-004	15	1
11080620	23	3	13068-024	15	1
11080622	30	4	13070-001	15	1
11080622	38	1	13071-003	15	1
11080622	35	1	13072-006	15	1
11080622	74	6	13077-002	15	1
11080625	58	1	13081-067	7	1
11080630	31	2	13087-036	7	1
11080636	46	2	13088-025	7	7
11080640	22	1	13089-003	7	6
11080816	23	2	13095-039	7	1
11080816	46	4	13116-010	7	1
11080816	75	2	13116-016	7	1
11080818	66	4	13116-019	7	1
11080825	14	1	13118-015	7	1
11080835	34	2	13121-025	6	1
11080845	31	2	13127-034	10	1
11080850	30	4	13128-031	10	1
11080850	19	1	13129-038	11	1
110N0622	51	1	13130-028	10	1
110N0625	51	2	13131-034	11	1
110N0630	74	4	13132-027	10	1
110N0632	51	1	13133-027	11	1
11001-086-2H	2	2	13134-013	10	1
11001-087-2H	2	1	13135-017	11	1
11004-061	2	3	13136-038	10	1
11005-125-2H	2	1	13137-022	11	1
11005-126-2H	2	1	13140-037	10	1
11005-127-2H	2	1	13140-053	10	1
11009-036	2	3	13140-054	10	1
* 11011-051	23	1	13142-008	10	1
* 11011-052	23	1	13144-030	10	1
* 11012-056	23	1	13144-035	10	1
* 11013-052	23	1	13144-036	10	1
11015-024	23	2	13151-021	11	1
11015-025	23	1	13156-040	14	1
113810110	30	2	13157-004	14	1
11381032	42	2	13158-007	14	1
113N1035	34	2	13159-007	14	1
13001-071	6	3	13159-008	14	1

Numerical Parts Index

* : Indicates the Newly developed parts for Kawasaki Model KH400-A3.

Part No.	Page	Q'ty	Part No.	Page	Q'ty
13161-036	14	1	16021-013	26	3
13169-007	14	1	16022-005	26	3
13170-005	14	1	* 16025-081	26	1
13171-004	14	1	* 16025-082	26	2
13187-004	7	1	16029-004	26	3
13197-006	7	1	16030-005	26	3
13209-006	10	1	16031-016	26	3
13224-008	18	1	16032-003	26	3
13226-005	18	1	16033-009	26	12
13229-002	7	7	16034-001	26	3
13231-018	7	1	16036-005	26	3
13236-002	14	1	16036-007	26	3
13239-003	10	1	16060-012	2	3
13245-008	15	1	16061-012	2	3
* 14001-075	3	1	16062-014	2	6
14013-004	3	2	16082-051	27	1
14013-013	3	1	16084-014	6	1
14015-001	3	1	16085-017	18	1
14015-003	3	1	16088-002	27	1
14017-002	3	2	16089-001	27	1
14017-003	3	3	16090-002	27	3
14017-004	3	2	16090-003	27	1
14017-009	3	1	16091-001	27	1
14018-005	18	1	16093-002	27	1
14026-022-80	18	1	16094-002	27	1
14030-030-80	18	1	16096-011	27	1
* 14031-093-80	18	1	16115-017	18	1
14032-095-80	18	1	16134-012	27	1
14038-030	18	1	16134-013	27	1
14044-006	18	1	16134-014	27	1
* 14045-028	18	1	172G0622	3	2
14046-019	18	1	172G0635	3	3
14069-003	3	1	172G0645	3	2
* 16001-253	26	1	172G0650	3	3
* 16001-254	26	2	172G0665	3	3
16002-004	26	6	172G0820	2	6
16003-004	26	6	172G0830	43	4
16004-017	26	3	172G0835	2	6
16006-024	26	3	172G0865	3	12
16007-023	26	3	172G1055	3	4
16008-004	26	3	172G1070	3	2
16009-047	26	3	172G1080	3	2
16010-004	26	3	* 18001-188	23	1
16012-008	26	3	* 18001-189	23	1
16013-003	26	3	* 18001-190	23	1
16014-006	26	3	* 18033-105	23	3
16022-007	26	3	18061-042	23	1
16016-002	26	3	18067-008	2	3
* 16017-092	26	3	18069-054	23	3
16019-013	26	3	18070-011	23	3

Numerical Parts Index

* : Indicates the Newly developed parts for Kawasaki Model KH400-A3.

Part No.	Page	Q'ty	Part No.	Page	Q'ty
* 21003-032	19	1	22080645	18	1
21017-002	19	2	22080655	18	4
21022-020	19	4	22080690	18	1
* 21022-021	19	2	220E0420A	74	8
* 21022-022	19	6	220E0435A	74	2
* 21029-035	19	1	220E0614	46	4
* 21033-003	19	2	220E0620	46	2
* 21037-006	19	1	22180308A	38	1
* 21047-028	19	1	22180616	3	1
* 21047-029	19	1	22180616	14	2
* 21047-030	19	3	22180616	11	1
* 21047-032	19	2	23004-044	71	1
* 21048-016	22	1	23004-061	71	1
* 21050-022	19	1	23005-038-21	71	1
* 21061-022	19	1	23006-036	71	1
* 21072-009	19	1	23007-047	71	1
21180406A	10	1	23007-064	71	1
* 21119-024	19	1	23008-034	71	1
* 21121-078	19	1	23008-035	71	1
* 21121-079	19	1	23008-036	71	1
* 21121-080	19	1	23009-013	71	4
21130-009	22	3	23019-022	71	2
21130-023	19	3	23024-030-21	74	1
22080305A	39	2	23024-054-21	74	1
22080408A	19	1	* 23024-071-21	74	1
22080408A	43	2	23026-027	74	1
22080408A	70	6	23026-029	74	1
22080410A	63	2	* 23026-036	74	1
22080508A	70	2	23027-036	74	1
22080512A	55	2	23028-018	74	1
22080514A	27	1	23036-027-21	74	1
22080516A	19	3	23040-045	74	2
22080520A	19	6	23040-046	74	2
22080522A	38	2	23048-013	74	2
22080528A	27	1	23048-016	74	2
22080530A	39	1	23050-003	74	4
22080535A	38	1	23058-002	74	8
22080610	3	1	23066-001	71	2
220806100	18	1	23066-005	71	2
22080612	54	1	23073-001	74	4
22080614	31	1	23076-003	74	2
22080614	47	2	23076-005	71	2
22080614	10	1	23078-001	74	4
22080614	63	2	25005-076	70	1
22080616	7	2	25005-124	70	1
22080620	18	2	25008-026	70	1
22080625	18	4	25011-030	70	1
22080628	66	4	25012-012	70	2
22080630	18	7	25014-003	70	1
22080635	18	1	25014-004	70	2

Numerical Part Index

* : Indicates the Newly developed parts for Kawasaki Model KH400-A3.

Part No.	Page	Q'ty	Part No.	Page	Q'ty
25016-020	70	1	27008-055-08	30	1
25019-013	70	4	27008-055-09	30	1
25019-014	70	1	27008-055-09	59	1
25019-015	70	2	27008-055-09	63	1
25023-003	70	1	27008-055-09	70	1
25023-009	70	1	27008-055-10	70	1
25026-001	70	2	27008-055-10	63	1
* 26001-132	75	1	27008-055-10	59	1
26004-035	75	1	27008-055-10	30	1
26006-003	75	3	27010-015	75	1
26006-005	75	2	27011-013	75	1
26010-017	75	1	27016-038	30	1
26010-033	75	1	27019-002	70	1
26011-084	75	1	* 27031-005	30	1
26012-022	75	1	27032-001	30	1
27002-011	75	1	28012-015	46	1
27003-066	75	1	28013-008	47	1
27005-061	70	1	291Z0625	7	1
27007-003	70	1	31080500A	47	1
27008-005-04	30	1	31080500A	19	6
27008-055-01	59	1	31080600	46	2
27008-055-01	30	1	31080600	47	2
27008-055-01	70	1	31080600	46	2
27008-055-01	63	1	31080600	46	4
27008-055-02	63	1	31080600	3	13
27008-055-02	70	1	31080600	30	2
27008-055-02	30	1	31080600	26	3
27008-055-02	59	1	31080600	35	1
27008-055-03	30	1	31080600	31	2
27008-055-03	59	1	31080600	74	4
27008-055-03	70	1	31080800	70	2
27008-055-03	63	1	31080800	31	4
27008-055-04	63	1	31080800	2	6
27008-055-04	70	1	31180600	7	1
27008-055-04	59	1	31180600	19	1
27008-055-05	59	1	31180600	63	4
27008-055-05	30	1	31280800	14	1
27008-055-05	70	1	31280800	34	2
27008-055-05	63	1	312N0600	51	1
27008-055-05	70	1	31381000	34	2
27008-055-06	63	1	31381000	31	8
27008-055-06	30	1	31381000	35	1
27008-055-06	59	1	31381000	38	2
27008-055-07	30	1	313N0800	51	1
27008-055-07	59	1	31481000	58	4
27008-055-07	70	1	31581000	54	2
27008-055-07	63	1	31581000	74	4
27008-055-08	63	1	31581200A	35	1
27008-055-08	70	1	31581400	10	1
27008-055-08	59	1	31681000	3	8

Numerical Parts Index

* : Indicates the Newly developed parts for Kawasaki Model KH400-A3.

Part No.	Page	Q'ty	Part No.	Page	Q'ty
318N0800	14	1	41080600	53	1
* 32002-139	30	1	41080600	58	1
32030-023	31	2	41081000	54	2
32030-030	31	2	41081000	15	1
* 32058-052	31	1	41081400	34	1
* 32058-053	31	1	* 41021-057	50	1
* 32097-037	30	1	* 41021-058	50	1
32099-011	63	1	41022-028	50	2
32103-006	30	1	41023-017	50	2
32111-003	46	1	41025-053	50	1
* 32116-004	31	1	41025-075	50	1
32132-002	31	1	41027-046	50	20
32132-003	31	1	41027-054	50	20
33001-061	34	1	41028-045	50	20
33032-037	34	1	41028-054	50	20
33033-009	34	2	* 41034-041	55	1
33034-012	34	1	41039-028	55	1
33034-013	34	2	41042-014	55	1
33035-007	34	2	* 41042-016	55	1
33040-056	34	2	41045-007	58	1
33044-002	34	2	41049-003	58	2
34003-040	35	1	41051-001	58	1
34003-041	35	1	41059-026	55	1
34011-035	35	1	41060-017	55	1
34019-011	35	1	41062-005	55	1
34023-005	35	1	41063-001	55	2
34023-010	35	1	41064-013	55	1
34024-051	35	1	* 41068-050	55	1
34028-011	35	1	41069-032	55	1
34028-012	35	1	* 41069-034	55	2
34029-011	35	2	* 41074-048	50	1
35004-084	46	1	41075-001	50	AR
35009-028	46	1	41075-002	50	AR
35022-099	46	1	41075-003	50	AR
* 35022-145	46	1	41075-004	50	AR
* 35022-146	46	1	41078-008	55	1
35025-024	46	1	* 41080-006	54	1
35032-033	31	1	41082-001	55	1
* 36001-043-3V	62	1	41085-009	58	1
* 36001-043-3W	62	1	41180500	19	6
* 36007-037-3V	62	1	41180500	70	4
* 36007-037-3W	62	1	41180600	46	4
36014-050-21	62	1	41180600	19	8
41080400	63	2	41180600	63	6
41080500	19	3	41180600	43	1
41080500	55	2	41180600	47	4
41080600	39	1	41180600	46	4
41080600	31	4	41180600	23	3
41080600	35	1	41180600	51	2
41080600	38	2	41180600	51	2

Numerical Parts Index

* : Indicates the Newly developed parts for Kawasaki Model KH400-A3.

Part No.	Page	Q'ty		Part No.	Page	Q'ty
41180600	62	3	*	43052-005	54	4
41180800	31	2		43053-003	51	1
41180800	66	4	*	43053-006	54	4
41180800	70	2	*	43054-003	54	1
41181000	35	4		43059-008	51	1
41181000	74	2		43059-010	51	1
41100600	74	8	*	43060-017	51	1
42005-044-80	58	1		43061-002	51	1
* 42006-060-80	58	1	*	43063-006	51	1
42008-020	58	1		43064-001	51	1
42010-027	58	1		43064-005	51	1
42014-008	58	4		43065-001	51	1
42019-003	58	2		43066-001	51	3
42026-015	58	1		43067-001	51	6
42029-037	58	1		43069-002	51	1
42031-047	58	1		43072-001	51	1
42032-049	58	1		43073-001	51	1
42036-019	58	1		43079-001	51	1
42037-024	58	1		43085-001	54	1
42041-063	58	1	*	43088-002	54	2
42041-102	58	1	*	44001-177	42	1
42041-138	58	1	*	44001-186	42	1
42048-036	50	1	*	44005-061	42	1
43001-060	35	1	*	44006-059	42	1
43005-033	35	1	*	44009-026	42	2
43007-031	34	1	*	44010-035	42	2
43015-020	51	1		44013-038	42	2
43017-001	51	1		44018-009	42	2
43018-001	51	1	*	44022-034	42	2
43019-001	51	1		44026-043	42	2
43022-001	51	1		44028-026	42	2
43024-001	51	1		44029-019	42	2
43025-001	51	1		44032-005	42	2
43026-003	51	1		44033-067	42	1
43027-001	51	1		44034-067	42	1
43028-001	51	1	*	44037-097	42	1
43029-003	51	1	*	44037-102	42	1
43030-003	51	1		44039-051	42	1
43031-001	51	1		44041-037	42	2
43033-004	51	1		44041-040	43	2
43034-001	51	1		44041-042	42	1
* 43040-004	54	1		44041-044	42	2
* 43041-020	54	1		44043-023	42	2
* 43042-008	54	1		44043-047	42	2
* 43044-008	54	1		44044-005	42	2
* 43045-006	54	2		44044-019	42	2
* 43048-006	54	1		44045-002	43	2
43049-002	54	1		44045-029	42	2
* 43050-007	54	1		44045-034	43	2
* 43051-008	54	1		44045-039	42	2

Numerical Parts Index

* : Indicates the Newly developed parts for Kawasaki Model KH400-A3.

Part No.	Page	Q'ty	Part No.	Page	Q'ty
44046-017	42	2	461F0600	30	5
* 44063-012	43	2	461F0600	62	3
44064-015	42	2	461F0600	51	2
* 45014-114	34	2	461F0600	31	4
45016-003	34	2	461F0800	42	7
45017-001	34	4	461F0800	31	4
45017-007	34	2	461F0800	31	2
460E0800	2	6	461F0800	34	2
460E1000	3	8	461F0800	66	4
460E1200	2	12	461F0800	38	4
46006-011	38	1	461F0800	75	2
46012-008	38	2	461F0800	70	2
46012-010	38	2	461F0800	14	1
46016-003	38	2	461F0800	46	4
46019-041	38	1	461F1000	42	2
46027-015	38	1	461F1000	74	2
46043-005	38	1	461F1000	54	2
46043-006	38	1	461F1000	38	2
46044-013	39	1	461F1000	34	6
46055-003	38	2	461F1000	31	8
46056-007	38	2	461F1200	35	1
46075-028	39	1	46100-003	43	1
* 46076-049	38	1	46132-029	38	1
46091-033	38	1	463H0600	6	1
46092-015	38	1	464H0600	10	1
46094-017	38	1	464H0600	31	1
46096-009	39	1	480J1500	7	1
46098-010	43	1	480J1600	15	1
461E0500	70	4	480J2600	15	1
461E0600	3	13	481J1800	51	1
461E0800	19	1	481J4000	55	1
461E0800	23	2	482J0100	10	1
461F0400	19	13	482J0100	15	2
461F0400	70	6	482J8000	15	1
461F0500	19	6	482K0200	35	1
461F0500	47	1	482K5000	14	2
461F0500	70	2	* 51001-110-3V	59	1
461F0600	54	1	* 51001-110-3W	59	1
461F0600	47	2	51023-039	59	1
461F0600	46	4	51035-009	59	1
461F0600	63	8	51037-010	59	1
461F0600	43	1	51038-007	59	1
461F0600	46	4	51048-012	59	1
461F0600	46	2	51059-008	59	1
461F0600	19	8	52001-040	62	1
461F0600	23	3	52003-019	62	1
461F0600	74	4	52015-005	62	1
461F0600	74	3	52020-001	62	1
461F0600	30	1	* 53001-122	63	1
461F0600	62	3	53008-024	63	1

Numerical Parts Index

* : Indicates the Newly developed parts for Kawasaki Model KH400-A3.

Part No.	Page	Q'ty	Part No.	Page	Q'ty
* 53009-030	63	1	654A304208	55	1
* 53009-031	63	1	670B2015	62	1
* 53011-008	63	2	670B2020	18	1
* 53043-008-3V	63	1	671B2530	34	2
* 53043-008-3W	63	1	671B2560	58	1
53045-013	63	1	700Q05720	62	1
53054-002	63	1	92001-038	34	2
53057-004	66	1	92001-101	15	1
54001-041	67	1	92001-121	62	2
54011-054	67	1	92001-137	62	1
54012-099	67	1	92001-158	55	4
54017-062	67	1	92003-068	6	1
54018-016	67	1	92003-074	14	1
54022-026	67	1	92003-076	35	1
55002012	35	2	92003-078	7	5
55002015	35	1	92003-079	35	1
55002025	58	2	92003-087	58	4
55002516	35	2	92003-096	34	1
55003020	10	1	* 92003-199	23	1
55003025	35	1	92005-002	34	1
55004035	58	1	92007-002	38	4
552A1014	3	4	92007-025	35	1
56002-022	38	1	92007-031	43	1
* 56002-026	38	1	92007-032	54	2
56003-014	38	1	92007-047	38	1
* 56003-018	38	1	92008-007	30	1
56007-054	78	1	92011-023	14	1
56008-007	78	1	92011-033	23	3
56014-060-SP	59	2	92015-019	10	1
* 56018-212 -	62	2	92015-019	6	1
57001-303	76	1	92015-020	2	12
56019-106	78	1	92015-041	67	1
* 56027-324-SP	59	1	92015-055	58	1
* 56027-325-SP	59	1	92015-059	70	4
* 56027-326-SP	59	1	92017-010	14	1
* 56027-327-SP	59	1	92017-013	23	6
* 56027-334-SP	63	1	92017-014	38	1
* 56027-335-SP	63	1	92018-005	62	4
* 56027-336-SP	63	1	92019-011	34	1
* 56027-337-SP	63	1	92019-021	35	2
600A0400	7	11	92019-022	42	5
60CA0500	11	3	92020-003	34	2
600A0800	15	1	92022-021	23	1
60CA0800	30	38	92022-037	27	2
601B6005	11	1	92022-072	2	12
601B6203	55	2	92022-075	11	1
601B6205	58	1	92022-077	27	5
601B6303	58	1	92022-119	7	1
601B6303Z	58	1	92022-125	74	6
654A254008	55	1	92022-125	46	2

Numerical Parts Index

* : Indicates the Newly developed parts for Kawasaki Model KH400-A3.

Part No.	Page	Q'ty	Part No.	Page	Q'ty
92022-125	30	4	92038-001	6	1
92022-157	7	5	92038-015	6	1
92022-189	7	1	92041-003	63	4
92022-193	46	4	92041-003	46	2
92022-193	62	2	92041-005	38	2
92022-199	35	2	92041-005	34	2
92022-203	14	2	92042-007	18	2
92022-204	35	2	92042-014	10	6
92022-218	19	1	92042-015	18	1
92022-227	46	2	92042-016	3	3
92022-228	46	4	92042-021	10	1
92022-230	43	1	92043-009	14	1
92022-240	66	4	92043-034	35	1
92022-246	34	4	92043-053	67	1
92024-016	23	3	92043-058	15	1
92024-021	6	1	92043-069	14	2
92024-034	10	6	92043-079	35	2
92024-046	10	1	92043-080	35	2
92024-058	27	1	92043-126	59	1
92024-067	10	1	92043-127	59	1
92024-067	6	1	92045-010	10	2
92026-021	11	1	92046-005	10	2
92026-025	18	1	92047-006	43	2
92026-026	18	1	92048-006	30	2
92026-027	10	1	92049-002	18	1
92027-031	6	1	92049-004	3	1
92027-120	74	3	92050-024	10	1
92027-129	46	2	92050-040	7	1
92027-129	30	4	92050-041	6	1
92027-129	74	3	92050-052	6	1
92027-135	11	1	92052-006	58	1
92027-241	46	2	92054-004	18	1
92027-259	46	1	92055-018	6	1
92028-043	10	2	92055-025	18	1
92028-045	7	1	92055-035	10	1
92028-071	3	1	92056-007	7	1
92028-072	15	1	92057-085	62	1
92028-075	18	1	92058-006	62	1
92033-009	10	2	92059-061	3	1
92033-025	10	6	92059-068	59	1
92036-005	6	6	92059-072	62	1
92036-013	6	1	92059-073	59	2
92036-017	18	1	92060-008	27	3
92037-010	59	6	92060-009	27	1
92037-010	62	2	92060-010-79	27	3
92037-099	43	1	92061-015	27	1
92037-108	30	1	92063-108	26	3
92037-109	23	3	92063-109	26	3
92037-113	46	2	92063-122	26	3
92037-141	62	1	92063-123	26	3

Numerical Parts Index

* : Indicates the Newly developed parts for Kawasaki Model KH400-A3.

Part Nol	Page	Q'ty	Part No.	Page	Q'ty
92063-124	26	3	92081-091	14	1
92064-021	26	3	92081-095	7	5
92065-011	3	1	92081-096	7	1
92065-023	27	3	92083-002	14	1
92065-058	27	3	92088-005	58	2
92065-081	59	1	92088-023	55	2
92065-085	62	1	92090-007	43	1
92067-001	3	1	92091-002	31	1
92069-017	70	1	92091-018	31	1
92069-018	70	4	92091-025	31	1
92070-005	2	3	92092-010	35	4
92071-019	66	1	92095-012	39	1
92071-056	23	1	92097-003	30	1
92071-056	31	6	92101-001	22	3
92071-056	63	1	92104-002	78	
92071-059	63	1	92106-002	78	1
92071-065	62	1	92107-003	78	1
92072-012	66	1	92107-005	78	1
92072-030	75	5	92109-009	78	1
92072-031	62	1	92110-007	78	1
92072-031	75	2	92110-012	78	1
92072-032	75	1	92111-004	78	1
92072-045	30	1	92111-005	78	1
92072-056	75	2	92112-003	78	1
92073-001	75	1	92126-001	78	1
92074-032	70	1	92126-002	78	1
92075-031	35	1	92126-003	78	1
92075-039	38	4	92126-012	78	1
92075-076	30	4	18001-207	23	1
92075-076	46	2	18001-208	23	1
92075-076	74	3	18001-209	23	1
92075-080	70	4	18033-097	23	3
92075-099	63	1			
92075-101	30	2			
92075-105	46	2			
92075-112	74	3			
92075-115	35	1			
92075-121	46	2			
92075-128	74	4			
92075-133	46	2			
92075-156	63	4			
92075-158	74	2			
92075-168	66	4			
92075-169	66	4			
92075-214	30	1			
92075-279	75	1			
92076-027	35	2			
92081-011	14	1			
92081-020	15	1			
92081-021	15	1			