

KAWASAKI 350 S-2

Special Parts List for European Market

1 May 1971

KAWASAKI HEAVY INDUSTRIES, LTD.

Motorcycle Division.

1-1, Kawasaki-cho, Akashi, Hyogo Pref. Japan

NO. 99997-508 ©

KAWASAKI 350 S2

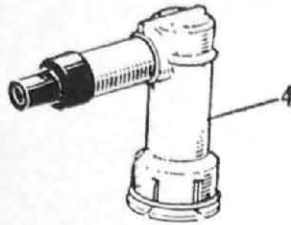
Special Parts List

INDEX

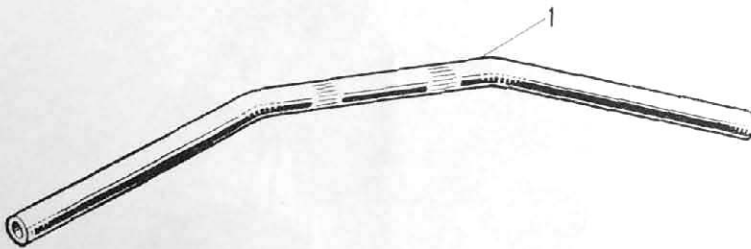
| | |
|--|----|
| 9. Electricpl Equipment for Engine | 1 |
| 16. Handlebar, Grips | 1 |
| 17. Front Fork | 3 |
| 18. Fenders | 3 |
| 24. Dual seat | 5 |
| 25. Cables | 5 |
| 26. Electrical Equipment A | 7 |
| 27. Electrical Equipment B | 7 |
| Numerical Parts Index | 9 |
| Standard Hardwares Index | 10 |



9. Electrical Equipment for Engine



16. Handlebar, Grips.



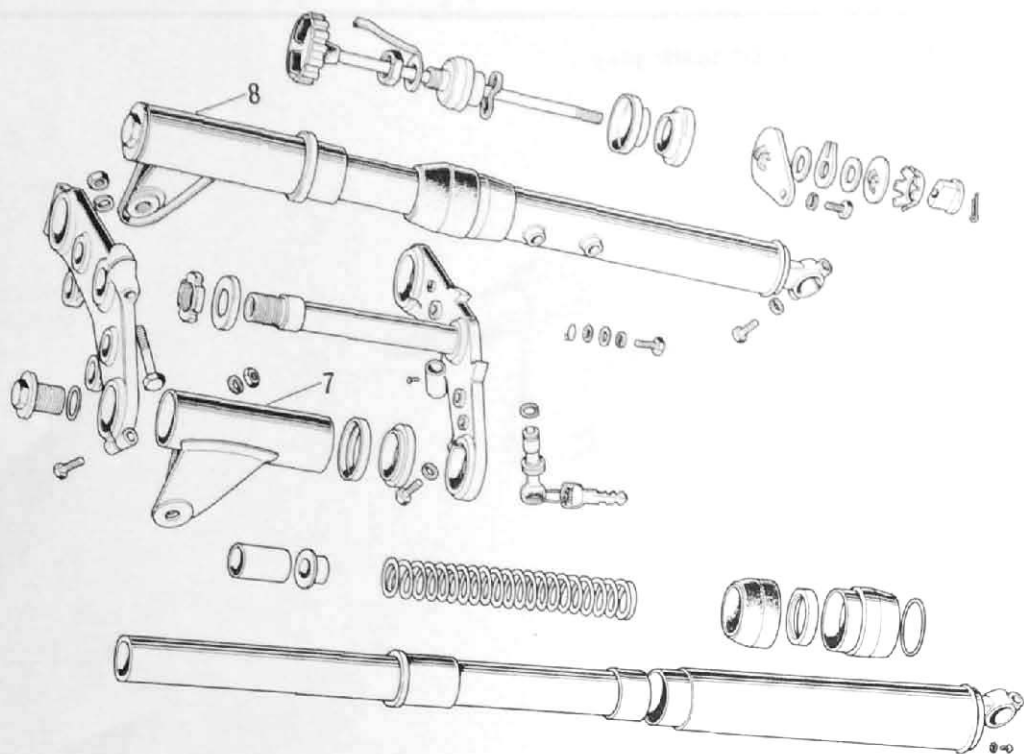
9. Electrical Equipment for Engine

| Ref. No. | Part No. | Part Name | Quantity | Remarks |
|----------|-----------|----------------|----------|---------|
| 4 | 21130-013 | CAP-spark plug | 3 | |

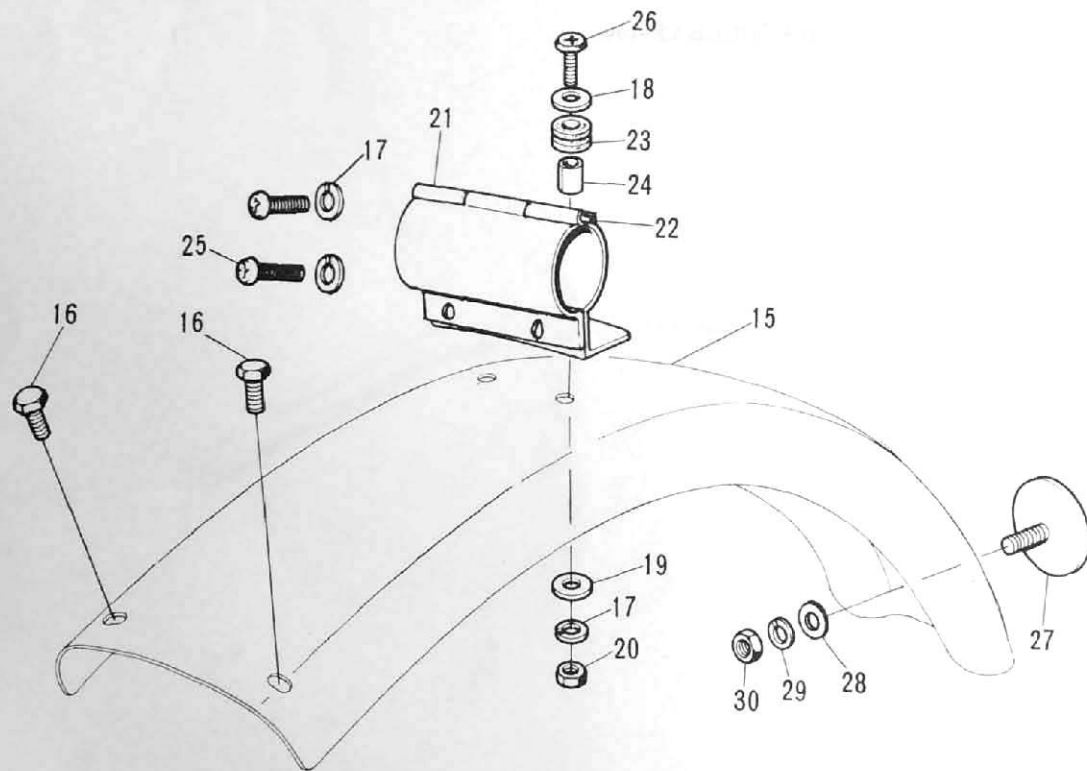
16. Handlebar, Grips.

| Ref. No. | Part No. | Part Name | Quantity | Remarks |
|----------|-----------|---------------|----------|---------|
| 1 | 46005-009 | HANDLEBAR-low | 1 | |

17. Front Fork



18. Fenders



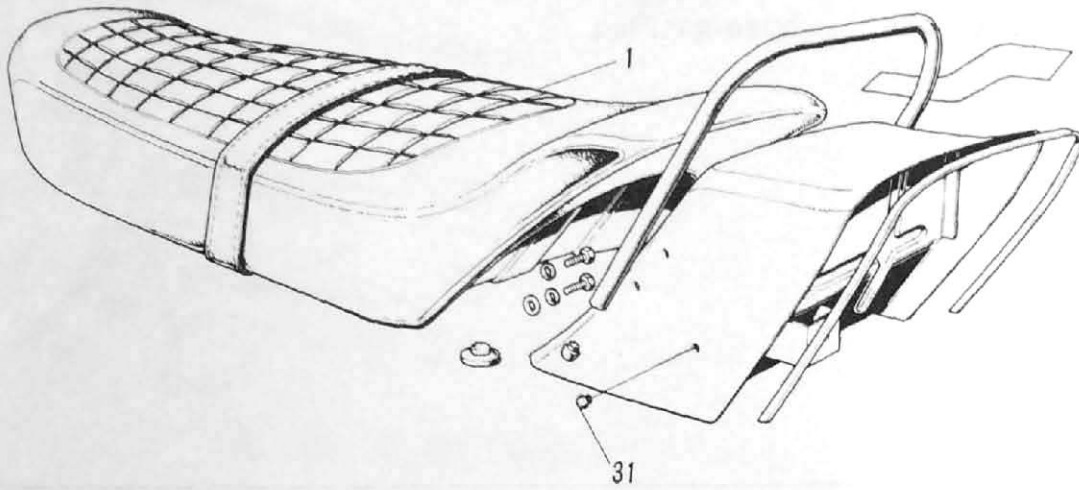
17. Front Fork

| Ref. No. | Part No. | Part Name | Quantity | Remarks |
|----------|--------------|------------------|----------|---------|
| 1~27 | 44001-074-21 | FRONT FORK ASSY | 1 | |
| 7 | 44033-037-21 | COVER-L · H fork | 1 | |
| 8 | 44034-036-21 | COVER-R · H fork | 1 | |

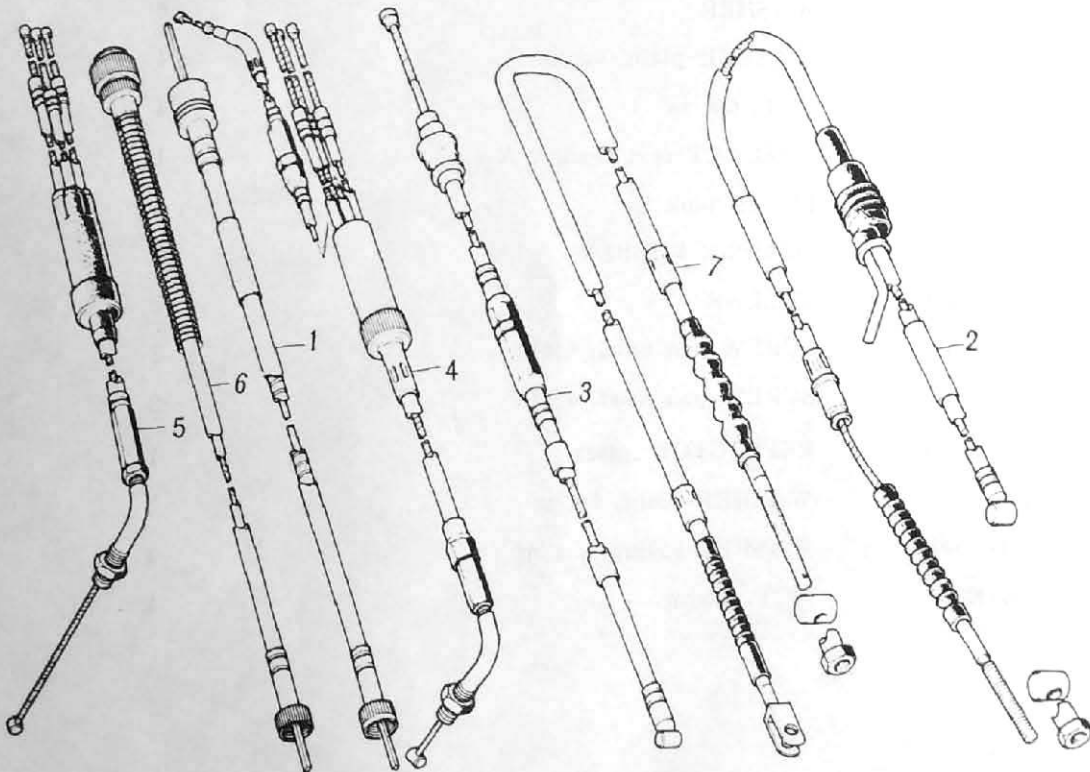
18. Fenders

| Ref. No. | Part No. | Part Name | Quantity | Remarks |
|----------|-----------|------------------------|----------|---------|
| 15 | 35022-057 | FENDER-rear, A | 1 | |
| 16 | 110B0618 | BOLT-hex head, 6×18 | 2 | |
| | 116B0618 | BOLT-hex head, 6×18 | ALT | |
| 17 | 461F0600 | WASHER-spring, 6m/m | 6 | |
| 18 | 92022-165 | WASHER | 6 | |
| 19 | 411B0600 | WASHER-plain, 6m/m | 4 | |
| 20 | 310B0600 | NUT, 6m/m | 4 | |
| 21 | 35025-022 | BRACKET-rear fender, A | 1 | |
| 22 | 32111-003 | PIN-oil tank | 1 | |
| 23 | 92075-051 | DAMPER RUBBER | 2 | |
| 24 | 92027-103 | COLLAR | 2 | |
| 25 | 220E0612 | SCREW-pan head, 6×12 | 2 | |
| 26 | 220E0618 | SCREW-pan head, 6×18 | 2 | |
| 27 | 28012-005 | REFLECTOR-reflex | 1 | |
| 28 | 410B0500 | WASHER-plain, 5m/m | 1 | |
| 29 | 461F0500 | WASHER-spring, 5m/m | 1 | |
| 30 | 310B0500 | NUT, 5m/m | 1 | |

24. Dual Seat



25. Cables.



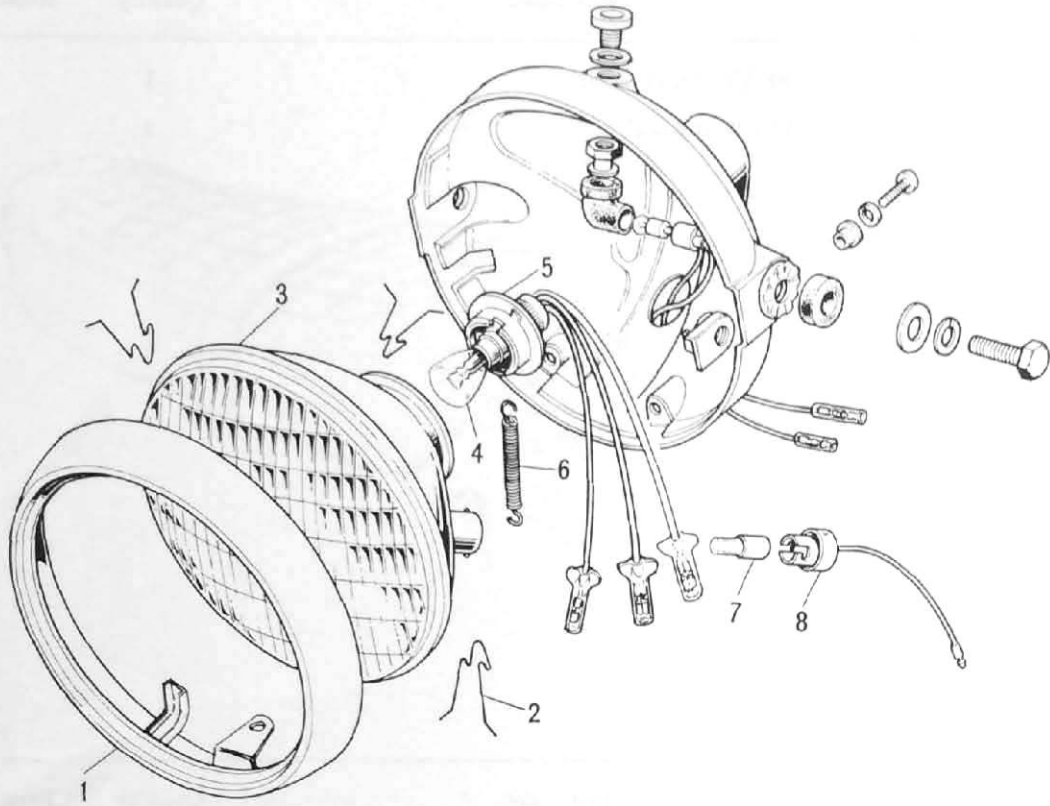
24. Dual Seat

| Ref. No. | Part No. | Part Name | Quantity | Remarks |
|----------|-----------|----------------|----------|---------|
| 1 | 53001-071 | SEAT ASSY-dual | 1 | |
| 31 | 92074-019 | PLUG-rubber | 2 | |

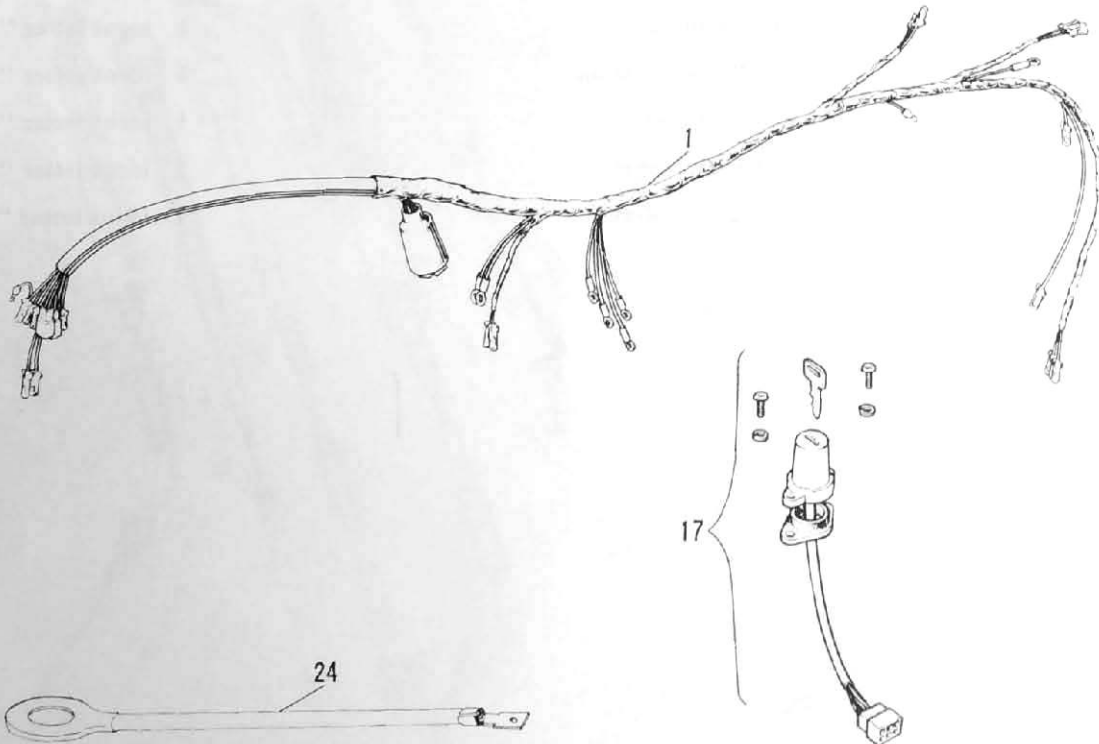
25. Cables.

| Ref. No. | Part No. | Part Name | Quantity | Remarks |
|----------|-----------|-------------------|----------|-----------------------|
| 1 | 54001-035 | CABLE-speedometer | 1 | ident letter "01-035" |
| 2 | 54005-062 | CABLE-front brake | 1 | ident letter "05-062" |
| 3 | 54011-041 | CABLE-clutch | 1 | ident letter "11-041" |
| 4 | 54012-076 | CABLE-combination | 1 | ident letter "12-076" |
| 5 | 54017-045 | CABLE-starter | 1 | ident letter "17-045" |
| 6 | 54018-012 | CABLE-tachometer | 1 | ident letter "18-012" |
| 7 | 54022-021 | CABLE-rear drake | 1 | ident letter "22-021" |

26. Electrical Equipment A



27. Electrical Equipment B



26. Electrical Equipment A

| Ref. No. | Part No. | Part Name | Quantity | Remarks |
|----------|-----------|---------------------|----------|------------|
| 1~8 | 23004-030 | LAMP UNIT-head | 1 | |
| 1 | 23006-026 | RIM-head lamp | 1 | |
| 2 | 23009-010 | SPRING-lens unit | 4 | |
| 3 | 23007-031 | LENS UNIT-head lamp | 1 | |
| 4 | 92069-045 | BULB, 12V-35/35W | 1 | Spoon Type |
| 5, 6 | 23008-017 | SOCKET-head lamp | 1 | |
| 7 | 92069-046 | BULB, 12V-4W | 1 | |
| 8 | 23008-018 | SOCKET-parking lamp | 1 | |

27. Electrical Equipment B

| Ref. No. | Part No. | Part Name | Quantity | Remarks |
|----------|-----------|----------------------|----------|---------|
| 1 | 26001-062 | WIRING HARNESS-main | 1 | |
| 17 | 27005-037 | SWITCH ASSY-ignition | 1 | |
| 24 | 26011-047 | WIRE-earth | 2 | |

Numerical Parts Index

* Newly developed parts for Model S2

| Part No. | Page | Q'ty | Part No. | Page | Q'ty |
|----------------|------|------|-------------|------|------|
| 21130-013 | 2 | 3 | * 54012-076 | 6 | 1 |
| * 23004-030 | 8 | 1 | * 54017-045 | 6 | 1 |
| * 23006-026 | 8 | 1 | * 54018-012 | 6 | 1 |
| * 23007-031 | 8 | 1 | * 54022-021 | 6 | 1 |
| * 23008-017 | 8 | 1 | * 92022-165 | 4 | 6 |
| 23008-018 | 8 | 1 | * 92027-103 | 4 | 2 |
| * 26001-062 | 8 | 1 | 92069-045 | 8 | 1 |
| * 26011-047 | 8 | 1 | 92069-046 | 8 | 1 |
| * 27005-037 | 8 | 1 | * 92074-019 | 6 | 2 |
| * 28012-005 | 4 | 1 | * 92075-051 | 4 | |
| * 32111-003 | 4 | 1 | | | |
| * 35022-022 | 4 | 1 | | | |
| * 35022-057 | 4 | 1 | | | |
| * 44001-074-21 | 4 | 1 | | | |
| * 44033-037-21 | 4 | 1 | | | |
| * 44034-036-21 | 4 | 1 | | | |
| * 46005-009 | 2 | 1 | | | |
| * 53001-071 | 6 | 1 | | | |
| * 54001-035 | 6 | 1 | | | |
| * 54005-062 | 6 | 1 | | | |
| * 54011-041 | 6 | 1 | | | |

Standard Hardwares Index

* Newly developed parts for Model S2

| Part No. | Page | Q'ty |
|-----------|------|------|
| 110B0610 | 4 | 2 |
| 116B0618 | 4 | ALT |
| 220E0612 | 4 | 2 |
| 220E0618 | 4 | 2 |
| 310B0500A | 4 | 1 |
| 310B0600 | 4 | 4 |
| 410B0500 | 4 | 1 |
| 411B0600 | 4 | 4 |
| 461F0500 | 4 | 1 |
| 461F0600 | 4 | 6 |
