

KAWASAKI

Model
350:S2-A

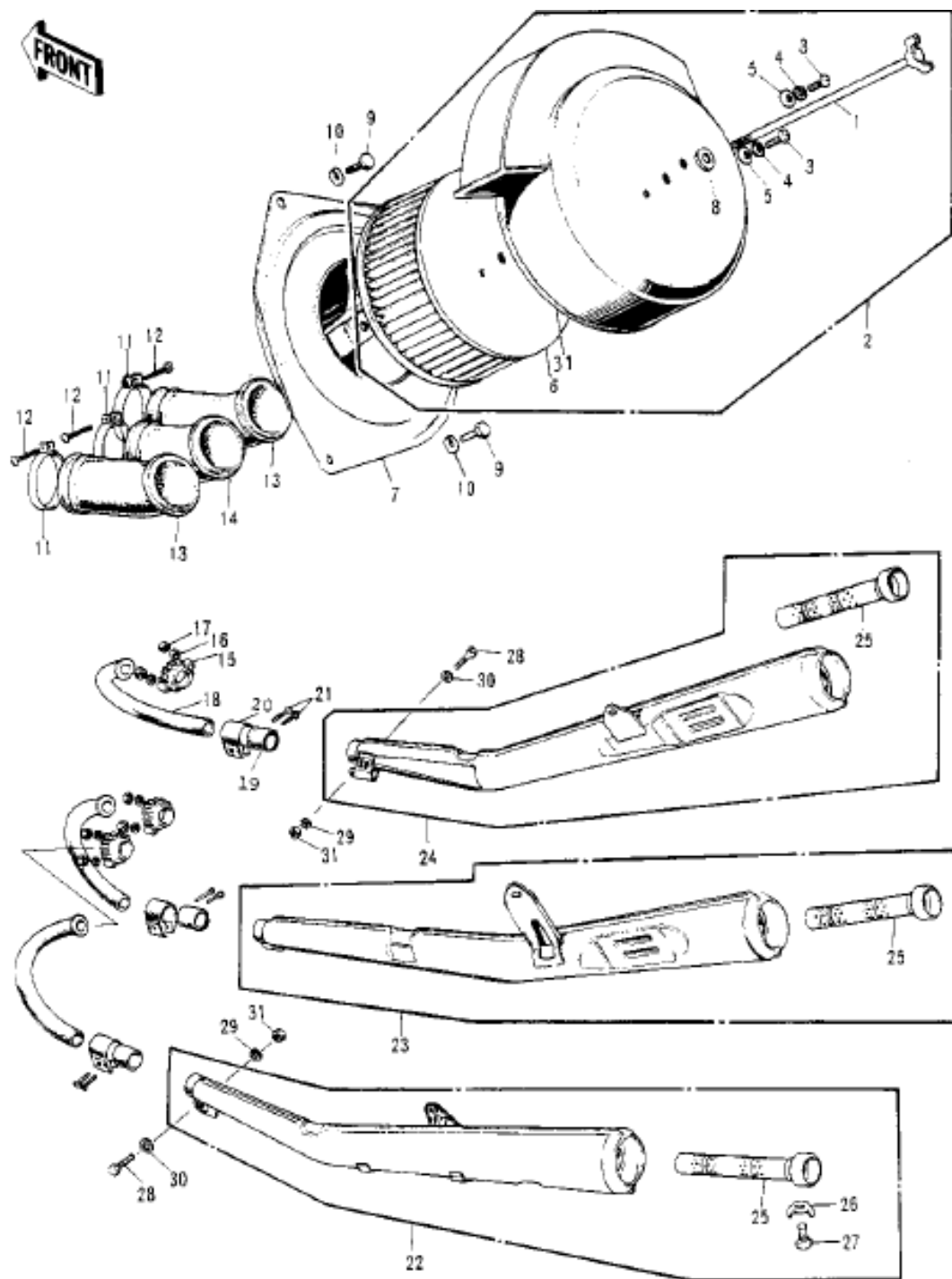
Parts List

KAWASAKI HEAVY INDUSTRIES, LTD.

MOTORCYCLE DIVISION

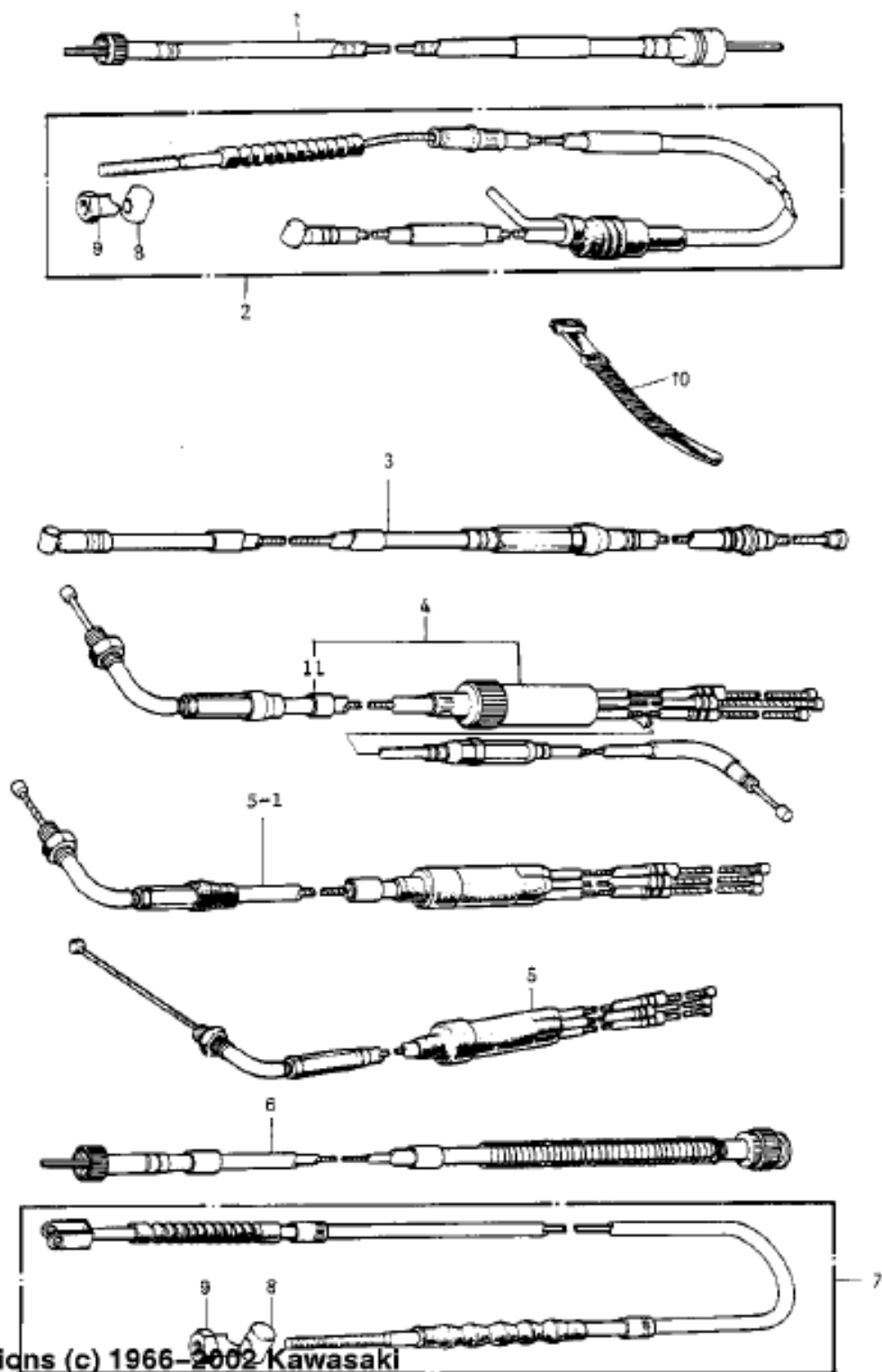
1-1, Kawasaki-Cho, Akashi, Hyogo Pref, Japan.

10. Nov. 1972



Illustrations (c) 1966-2002 Kawasaki
Motors Corp., U.S.A. All rights reserved.

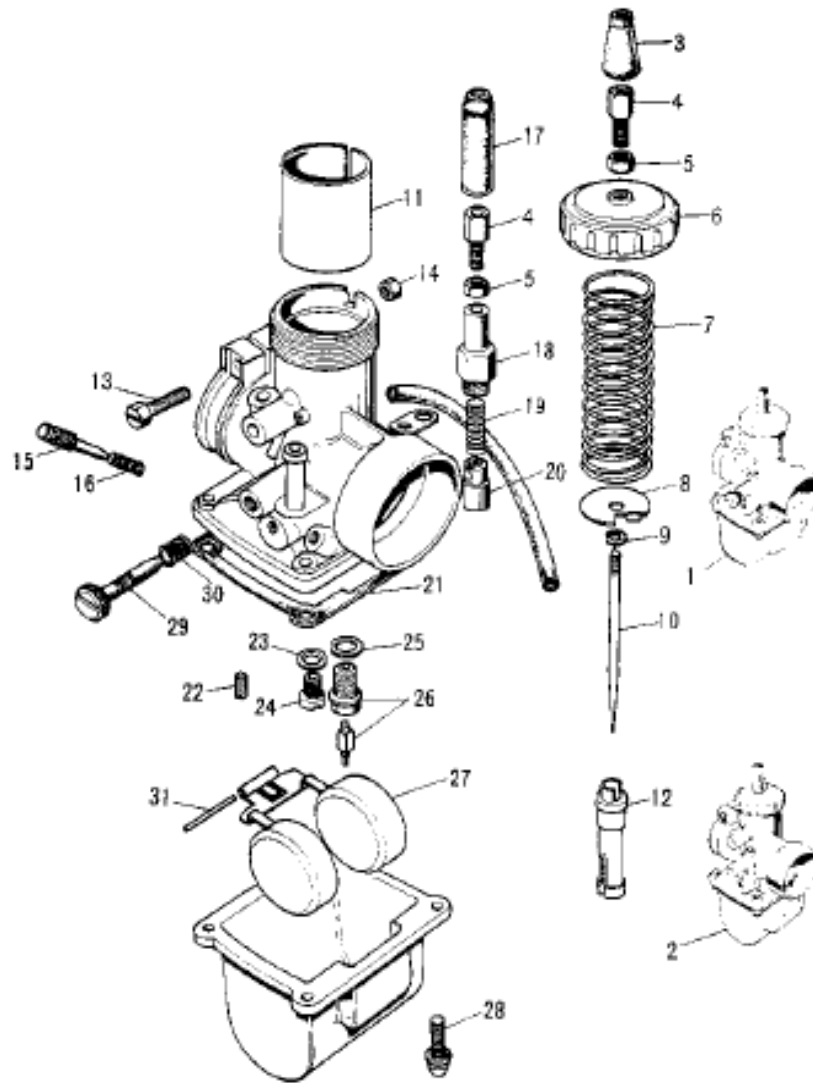
Part#	Ref#	Photo	Description	Qty	Model	Euro
92003-073	1		BOLT-AIR CLEANER FIT	1	S2/A	
11010-039	2		AIR CLEANER ASY - USE 11010-039-21	1	S2/A	
220B0408A	3		SCREW PAN HEAD 4X8	2	S2/A	
461F0400	4		WASHER SPRING 4MM	2	S2/A	
411B0400	5		WASHER-PLAIN 4MM	2	S2/A	
11013-026	6		ELEMENT AIR CLNR	1	S2/A	
11011-013	7		BODY AIR CLEANER	1	S2/A	
92022-021	8		WASHER-PLAIN	1	S2/A	
110B0610	9		BOLT-HEX HEAD 6X10	3	S2/A	
116B0610	9		BOLT-HEX HEAD 6X10 - ALT	3	S2/A	
461F0600	10		WASHER SPRING 6MM	3	S2/A	
92037-034	11		CLAMP-AIR CLEANER	3	S2/A	
220B0635	12		SCREW PAN HEAD 6X35	3	S2/A	
11015-024	13		PIPE-AIR INLT R.H&L.H	2	S2/A	
11015-025	14		PIPE-AIR INLET CENTER	1	S2/A	
11024-001	31		RUBBER SEAL CLEANER CAP	1	S2/A	



Illustrations (c) 1966-2002 Kawasaki
 Motors Corp., U.S.A. All rights reserved.

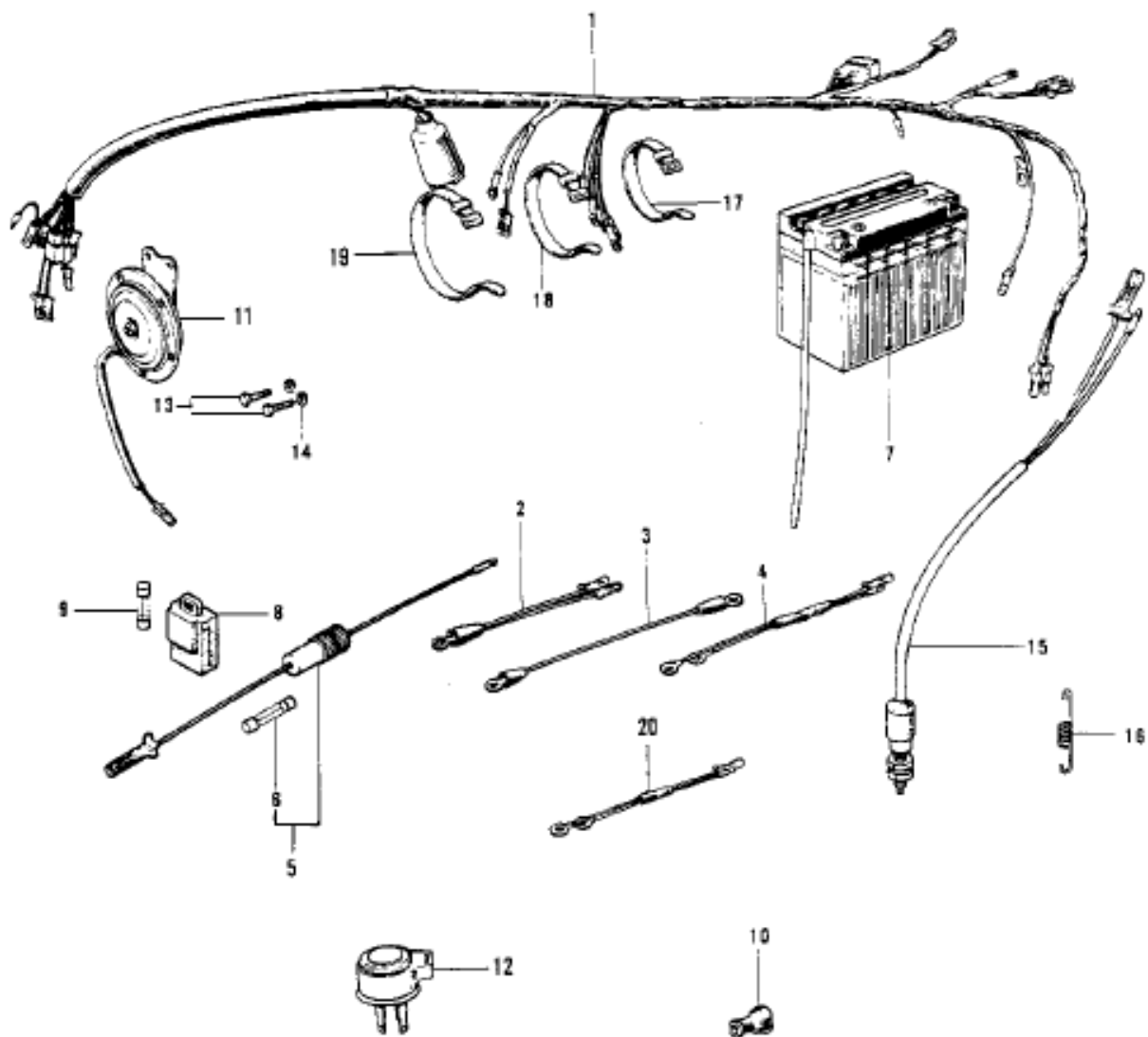
Part#	Ref#	Photo	Description	Qty	Model	Euro
54001-035	1		CABLE-SPEEDOMETER	1	S2	
54001-041	1		CABLE-SPEEDOMETER	1	S2A	
54005-061	2		CABLE-FRONT BRAKE	1	S2	
54011-049	3		CABLE-CLUTCH	1	S2A	x
54011-053	3		CABLE-CLUTCH	1	S2/A	
54012-074	4		CABLE-COMBINATION	1	S2	
54012-083	4		CABLE-COMBINATION	1	S2A	
54017-044	5		CABLE-STARTER	1	S2	
54017-052	5		CABLE-STARTER	1	S2A	x
54018-012	6		CABLE-TACHOMETER	1	S2	
54018-016	6		CABLE-TACHOMETER	1	S2A	
54022-021	7		CABLE-REAR BRAKE	1	S2/A	
92043-053	8		PIN-BRAKE ROD	1	S2/A	
92015-041	9		NUT-BRAKE CABLE ADJUST	2	S2/A	
54012-084-SP	11		CABLE-TROTTLE UPPER	AR	S2A	

FRONT



Illustrations (c) 1966–2002 Kawasaki
Motors Corp., U.S.A. All rights reserved.

Part#	Ref#	Photo	Description	Qty	Model	Euro
16001-146	1		CARBURETOR ASM-RH&CTR	2	S2/A	
16001-145	2		CARBURETOR ASM-L.H	1	S2/A	
16036-007	3		CAP-CARBURETOR	3	S2/A	
16002-002	4		ADJUSTER-CABLE	6	S2/A	
16003-004	5		NUT CABLE ADJUST LOCK	6	S2/A	
16004-017	6		CAP-MIXING CHAMBER	3	S2/A	
16006-014	7		SPRING-THROTTLE VALVE	3	S2/A	
16007-023	8		SPRING SEAT-THRTL VLV	3	S2/A	
16008-004	9		CIRCLIP	3	S2/A	
16009-047	10		JET NEEDLE 4EJ4	3	S2/A	
16025-043	11		VALVE THROTTLE RH&CEN CA2.0	2	S2/A	
16025-044	11		VALVE THROTTLE L.H CA2.0	1	S2/A	
16017-054	12		NEEDLE JET 0-2	3	S2/A	
16010-004	13		SCREW CLAMP	3	S2/A	
310B0600	14		NUT 6MM	3	S2/A	
16014-006	15		SCREW-PILOT ADJUST	3	S2/A	
16015-001	16		SPRING-PILOT AIR SCREW	3	S2/A	
16036-005	17		CAP-CARBURETOR RUBBER	3	S2/A	
16012-008	18		CAP-STARTER PLUNGER	3	S2/A	
16013-003	19		SPRING-PLUNGER	3	S2/A	
16016-002	20		PLUNGER-ENRICHNER	3	S2/A	
16019-013	21		GASKET FLOAT CHAMBER	3	S2/A	
92064-032	22		JET-PILOT NO 25	3	S2/A	
16034-001	23		WASHER MAIN JET	3	S2/A	
92063-093	24		MAIN JET # 85R STD	3	S2/A	
92063-094	24		MAIN JET #87.5R OPTION	3	S2/A	
92063-095	24		MAIN JET #90R OPTION	3	S2/A	
92063-122	24		MAIN JET # 77.5R OPTION	3	S2/A	
92063-123	24		MAIN JET # 80R OPTION	3	S2/A	
16029-004	25		WASHER FLOAT VLV SEAT	3	S2/A	
16030-005	26		FLOAT VALVE ASSY	3	S2/A	
16031-016	27		FLOAT	3	S2/A	
16033-009	28		SCREW-FLOAT CHAMBER	12	S2/A	
16021-013	29		SCREW-THROTTLE STOP	3	S2/A	
16022-005	30		SPRING-THR STOP SCREW	3	S2/A	
16032-003	31		FLOAT PIN	3	S2/A	
92072-035	32		BAND-CABLE	1	S2	

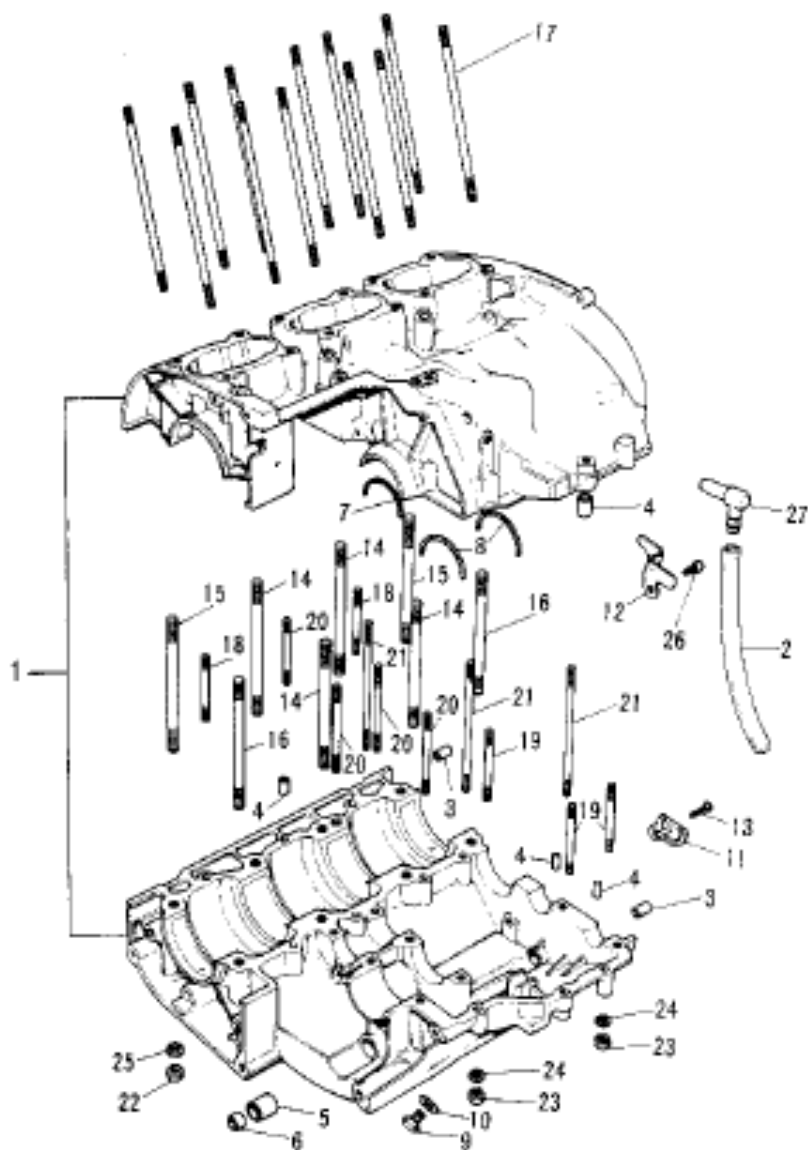


Illustrations (c) 1966–2002 Kawasaki
Motors Corp., U.S.A. All rights reserved.

Part#	Ref#	Photo	Description	Qty	Model	Euro
26001-059	1		WIRING HARNESS MAIN	1	S2	
26001-081	1		WIRING HARNESS MAIN	1	S2A	
26010-015	2		WIRE-BATTERY LEAD	1	S2/A	
26010-017	3		WIRE BATTERY GROUND	1	S2/A	
26011-052	4		WIRE-LEAD L=140MM	1	S2	
26004-010	5		FUSE ASSY	1	S2	
26004-015	5		FUSE ASSY	1	S2A	
26006-002	6		FUSE-20A	1	S2	
26012-022	7		YUA BAT 12N5.5-4A	1	S2/A	
26016-004	8		HOLDER-SPARE FUSE	1	S2A	
26006-005	9		FUSE-20A	2	S2A	
92073-001	10		CAP BAT TERMINAL RUBB	1	S2/A	
27003-026	11		HORN	1	S2A	
27003-027	11		HORN	1	S2	
27002-011	12		RELAY-TURN SIGNAL	1	S2/A	
110B0814	13		BOLT-HEX HEAD 8X14	2	S2	
116B0814	13		BOLT-HEX HEAD 8X14 - ALT	2	S2	
116B0816	13		BOLT-HEX HEAD 8X16	2	S2A	
461F0800	14		WASHER SPRING 8MM	2	S2/A	
27010-016	15		SWITCH-BRAKE LAMP	1	S2	
27010-020	15		SWITCH-BRAKE LAMP	1	S2A	
27011-013	16		SPRING-BRAKE LAMP SW	1	S2/A	
92072-030	17		BAND-SHORT	5	S2/A	
92072-031	18		BAND-MIDDLE L=149mm	1	S2/A	
92072-032	19		BAND-LONG L=214mm	1	S2/A	
26011-051	20		WIRE-LEAD L=100MM	1	S2	
26011-064	20		WIRE-LEAD-SIGNAL LAMP	1	S2A	

Part#	Ref#	Photo	Description	Qty	Model	Euro
310B0600	1		NUT 6MM - ALTERNATE	1	S2/A	
311B0600	1		NUT 6MM	1	S2/A	
291Z0622	2		SCREW SLOTTED 6X22	1	S2/A	
13102-009	3		INNER CLUTCH RELEASE use 13102-014	1	S2	
13102-014	3		INNER CLUTCH RELEASE	1	S2	
13102-017	3		INNER CLUTCH RELEASE	1	S2/A	
221B0616	4		SCREW CNTSNK HD 6X16	2	S2/A	
13118-004	5		OUTER CLUTCH RELEASE	1	S2	
13118-008	5		OUTER CLUTCH RELEASE	1	S2/A	
92081-096	6		SPRING-CLUTCH RELEASE	1	S2/A	
92050-040	7		OIL SEAL TC7297	1	S2/A	
13116-010	8		ROD CLUTCH PUSH SHORT L=49 MM	1	S2/A	
13116-019	9		ROD CLUTCH PUSH LONG L=167.5 MM	1	S2/A	
92022-119	10		WASHER-THRUST	1	S2/A	
92022-189	11		WASHER-PLAIN 20MM	1	S2/A	
92028-045	12		BUSHING-CLUTCH	1	S2/A	
13095-030	13		HOUSING-CLUTCH USE 13095-032	1	S2	
13095-032	13		HOUSING-CLUTCH	1	S2/A	
13087-028	14		HUB-CLUTCH	1	S2	
13087-033	14		HUB-CLUTCH	1	S2/A	
13090-002	15		PLATE CLUTCH OUTER NOT REQD w/13087-(1	S2	
13089-003	16		PLATE CLUTCH STEEL	5	S2/A	
13088-025	17		PLATE-CLUTCH FRICTION	6	S2/A	
13229-002	18		RING-CLUTCH STEEL	6	S2/A	
13187-004	19		PLATE-CLUTCH SPRING	1	S2/A	
92081-095	20		SPRING-CLUTCH	5	S2/A	
92022-167	21		HOLDER-CLUTCH SPRING 5MM	5	S2/A	
92003-078	22		BOLT 5X18	5	S2/A	
13116-016	23		PUSHER-CLTCH SPRG PLT	1	S2/A	
13081-039	24		CLUTCH-ASSY USE 13081-043	1	S2	
13081-043	24		CLUTCH-ASSY	1	S2	
13081-055	24		CLUTCH-ASSY	1	S2A	
13231-010	25		RELEASE ASSY-CLUTCH	1	S2/A	
13081-043	26		CLUTCH-ASSY	1	S2/A	

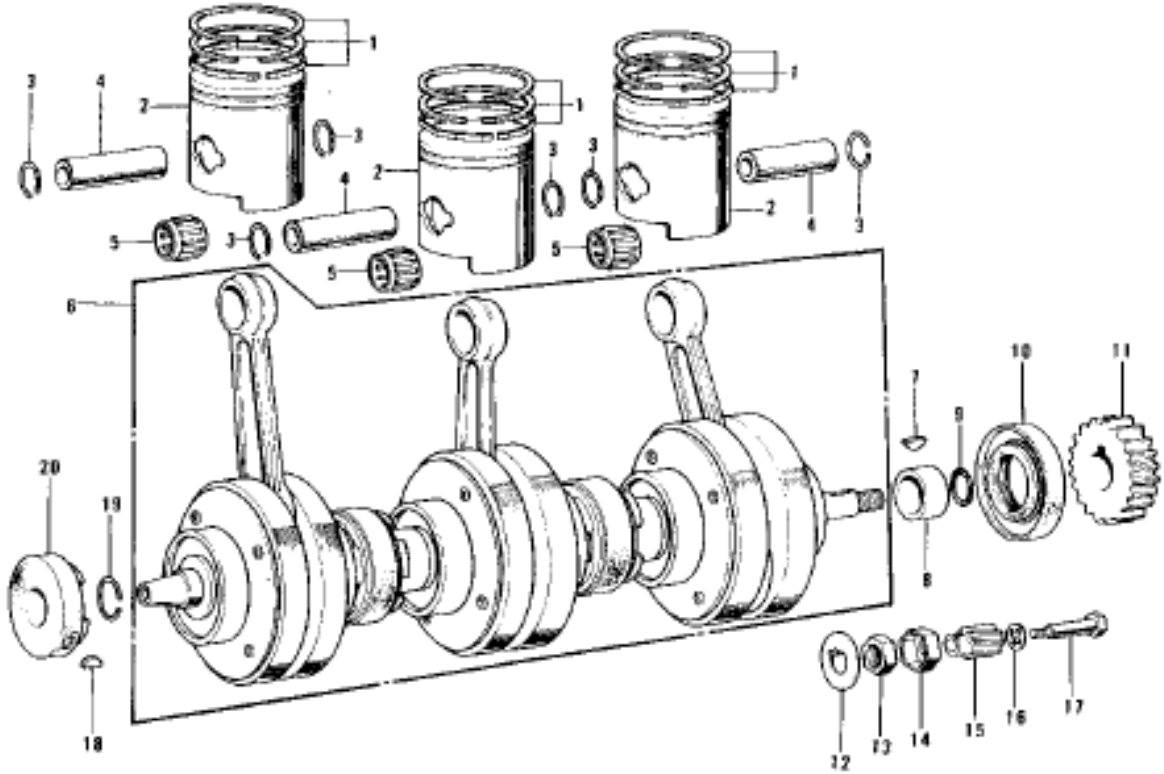
FRONT



1
1
1
1
1
1
1
1
1
1
1
2
2
2
2
2
2
2
2
2
2

Part#	Ref#	Photo	Description	Qty	Model	Euro
14001-049	1		CRANKCASE SET	1	S2/A	
92059-061	2		PIPE-BREATHER	1	S2/A	
552A1014	3		PIN-DOWEL 10X14	4	S2/A	
92042-016	4		PIN-DOWEL 6MM	3	S2/A	
92028-071	5		BUSHING-CHANGE PEDAL SHT	1	S2/A	
92049-004	6		OIL SEAL SB12205	1	S2/A	
14013-013	7		RING BEARING SETTING	1	S2/A	
14013-004	8		RING BEARING SETTING	2	S2/A	
92067-001	9		PLUG OIL DRAIN	1	S2/A	
92065-011	10		GASKET-OIL DRAIN PLUG	1	S2/A	
14015-001	11		RECEIVER-OIL	1	S2/A	
14015-003	12		RECEIVER-OIL	1	S2/A	
221B0616	13		SCREW CNTSNK HD 6X16	1	S2/A	
172G1050	14		STUD 10X50	4	S2/A	
172G1070	15		STUD 10X70	2	S2/A	
172G1080	16		STUD 10X80	2	S2/A	
172G08115	17		STUD 8X115	12	S2/A	
172G0622	18		STUD 6X22	2	S2/A	
172G0635	19		STUD 6X35	3	S2/A	
172G0645	20		STUD 6X45	5	S2/A	
172G0665	21		STUD 6X65	3	S2/A	
316B1000	22		NUT 10MM	8	S2/A	
316B0600	23		NUT 6MM	13	S2/A	
461F0600	24		WASHER SPRING 6MM	13	S2/A	
461F1000	25		WASHER SPRING 10MM	8	S2/A	
220B0610	26		SCREW PAN HEAD 6X10	1	S2/A	
14069-003	27		BREATHER	1	S2/A	

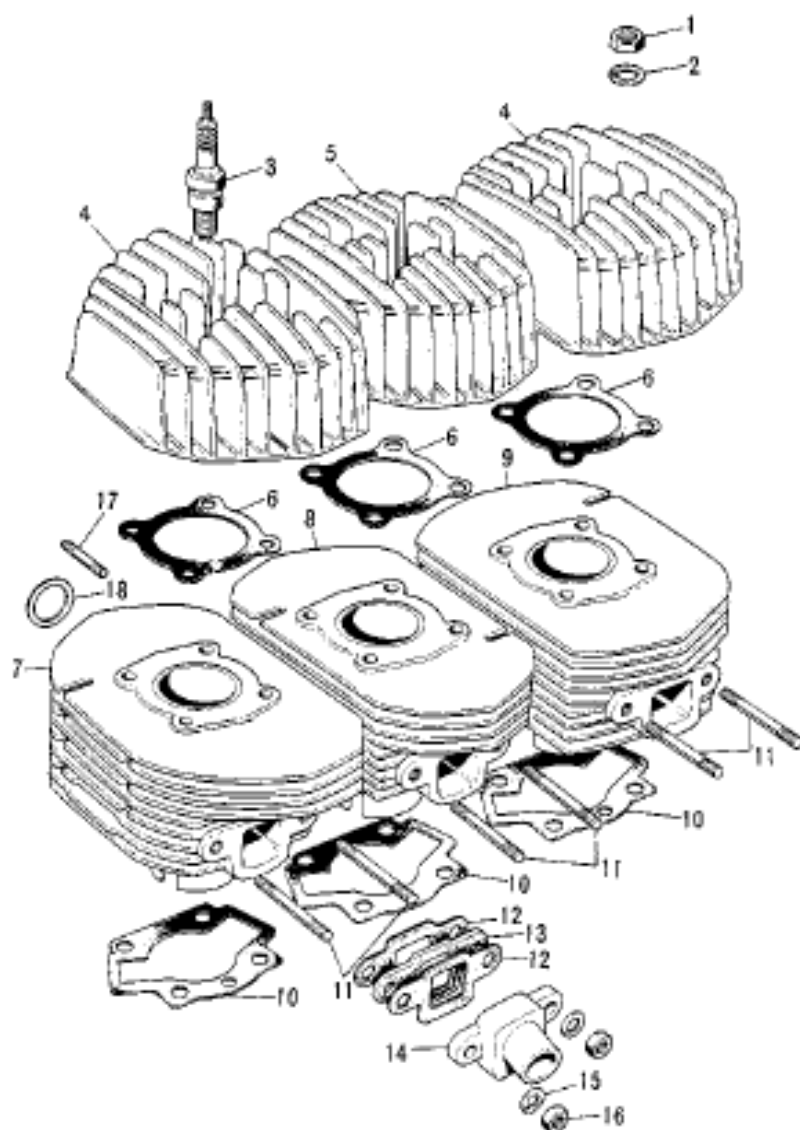
FRONT



- 1
- 1
- 1
- 1
- 1
- 1
- 1
- 1
- 1
- 1
- 1
- 1
- 2

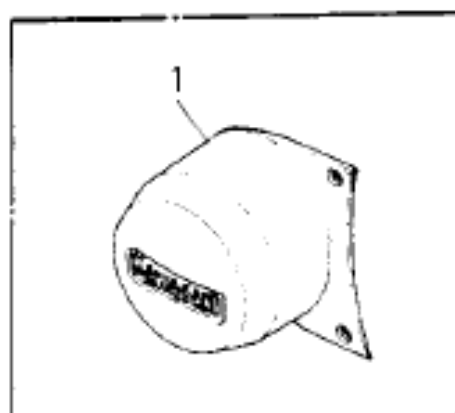
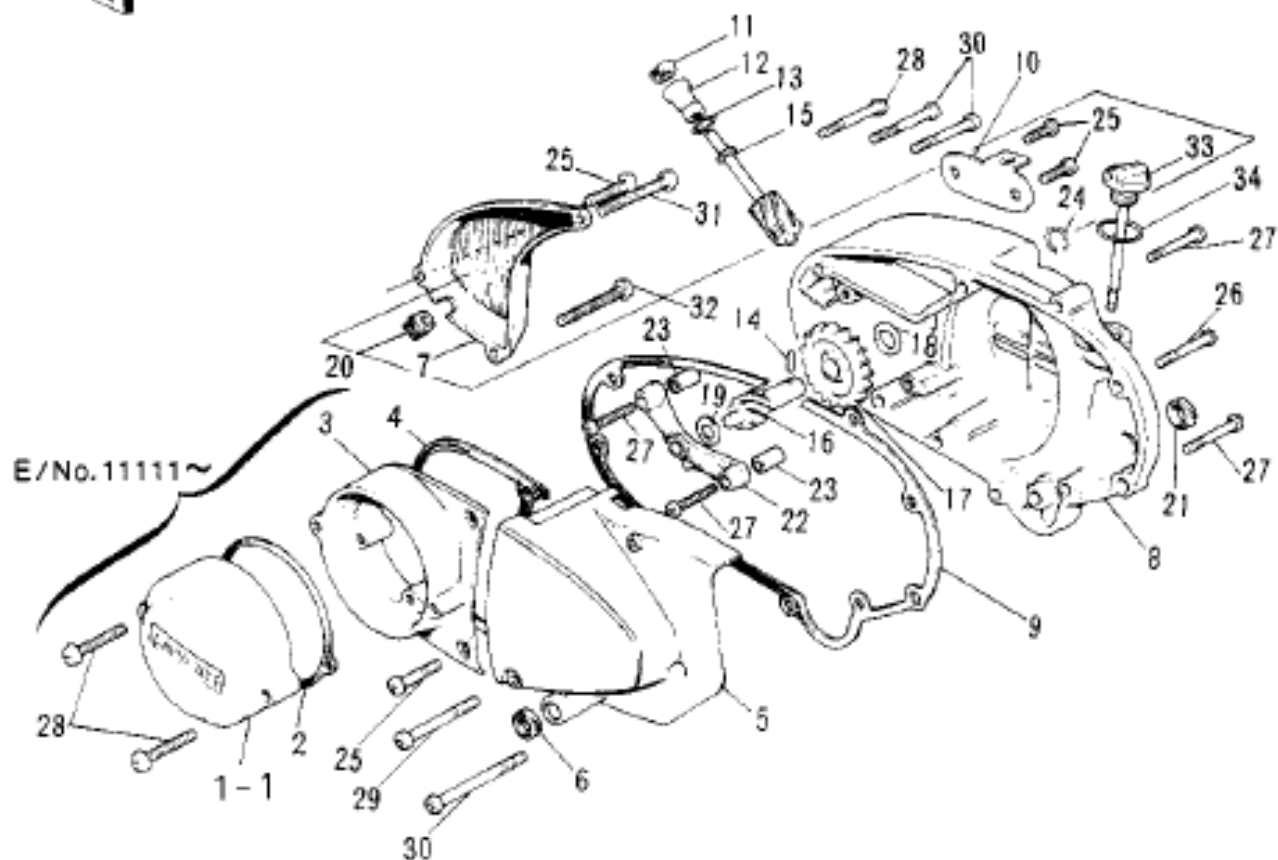
Part#	Ref#	Photo	Description	Qty	Model	Euro
13008-039	1		RING SET-STD	3	S2/A	
13024-047	1		RING SET 0.040" O.S	3	S2/A	
13025-043	1		RING SET 0.020" O.S	3	S2/A	
13001-043	2		PISTON-STD	3	S2/A	
13027-050	2		PISTON 0.040" O.S	3	S2/A	
13029-052	2		PISTON 0.020" O.S	3	S2/A	
92036-005	3		CIRCLIP PISTON PIN	6	S2/A	
13002-002	4		PIN-PISTON	3	S2/A	
13033-007	5		BEARING-NEEDLE SM END	3	S2/A	
13031-037	6		CRANK&CONROD ASSY -to S2E-18507	1	S2	
13031-040	6		CRANK&CONROD ASSY	1	S2/A	
92038-015	7		WOODRUFF KEY	1	S2/A	
92027-031	8		COLLAR CRANK OIL SEAL	1	S2/A	
92055-018	9		"O" RING 18MM	1	S2/A	
92050-023	10		OIL SEAL TC326210	1	S2/A	
13121-021	11		PINION-PRIMARY 27T	1	S2/A	
92024-006	12		WASHER LOCK 18MM	1	S2/A	
92015-019	13		NUT 18MM	1	S2/A	
92024-021	14		WASHER LOCK	1	S2/A	
16084-012	15		PINION-OIL PUMP 11T	1	S2/A	
16084-014	15		PINION-OIL PUMP 11T - ALTERNATE	1	S2/A	
463H0600	16		WASHER LOCK 6MM	1	S2/A	
92003-068	17		BOLT-OIL PUMP GEAR	1	S2/A	
92038-001	18		WOODRUFF KEY	1	S2/A	
92036-013	19		CIRCLIP	1	S2/A	
92050-041	20		OIL SEAL TCY256210	1	S2/A	
601B6305	8-1		BEARING BALL #6305	3	S2/A	

FRONT

↑
↑
↑
↑
↑
↑
↑
↑
↑

Part#	Ref#	Photo	Description	Qty	Model	Euro
316B0800	1		NUT 8MM	12	S2/A	
461E0800	2		WASHER-PLAIN 8MM	12	S2/A	
92070-011A	3		SPARK PLUG	3	S2/A	
11001-053	4		CYLINDER HEAD-L.H.&R.H.	2	S2/A	
11001-053-80	4		CYLINDER HEAD-L.H.&R.H.-BUFF	2	S2/A	
11001-054	5		CYLINDER HEAD-CTR	1	S2/A	
11004-043	6		GASKET-CYLINDER HEAD	3	S2/A	
11005-068	7		CYLINDER-L.H.	1	S2/A	
11005-069	8		CYLINDER-CTR	1	S2/A	
11005-070	9		CYLINDER-R.H.	1	S2/A	
11009-027	10		GASKET-CYLINDER BASE	3	S2/A	
172G0820	11		STUD 8X20	6	S2/A	
16062-014	12		GASKET-AIR INLET	6	S2/A	
16061-012	13		INSULATOR-HEAT	3	S2/A	
16060-012	14		INLET-AIR	3	S2/A	
461F0800	15		WASHER SPRING 8MM	6	S2/A	
316B0800	16		NUT 8MM	6	S2/A	
172G0830	17		STUD 8X30	6	S2/A	
18067-003	18		GASKET-EXHAUST PIPE	3	S2/A	

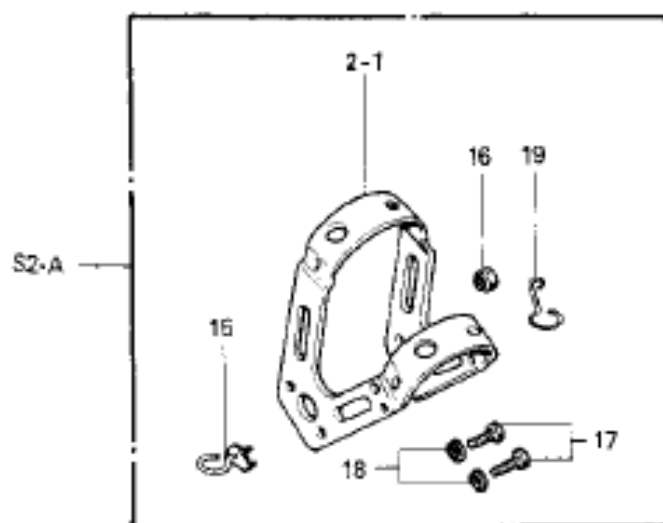
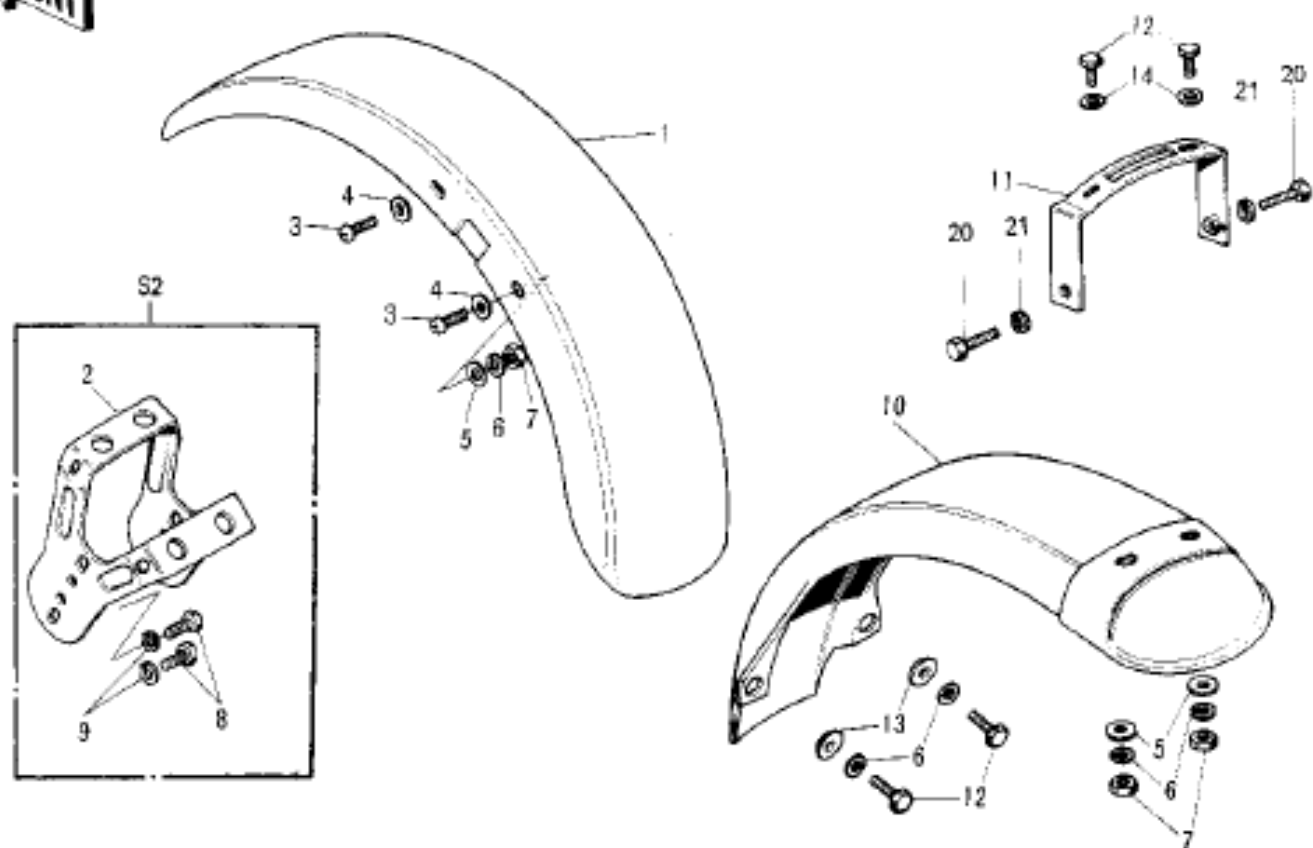
FRONT



~ E/No. 11110

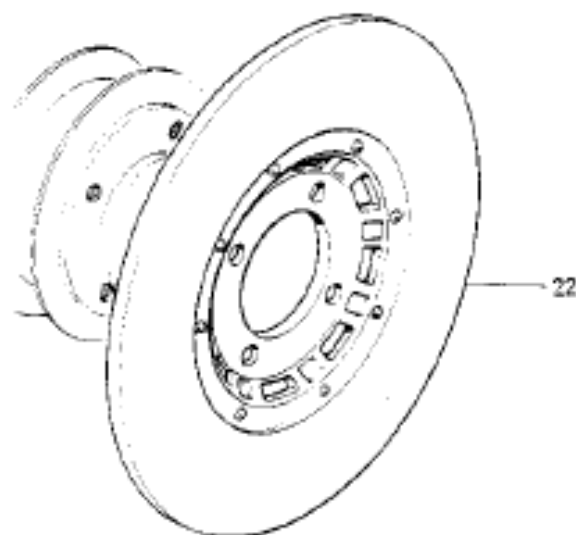
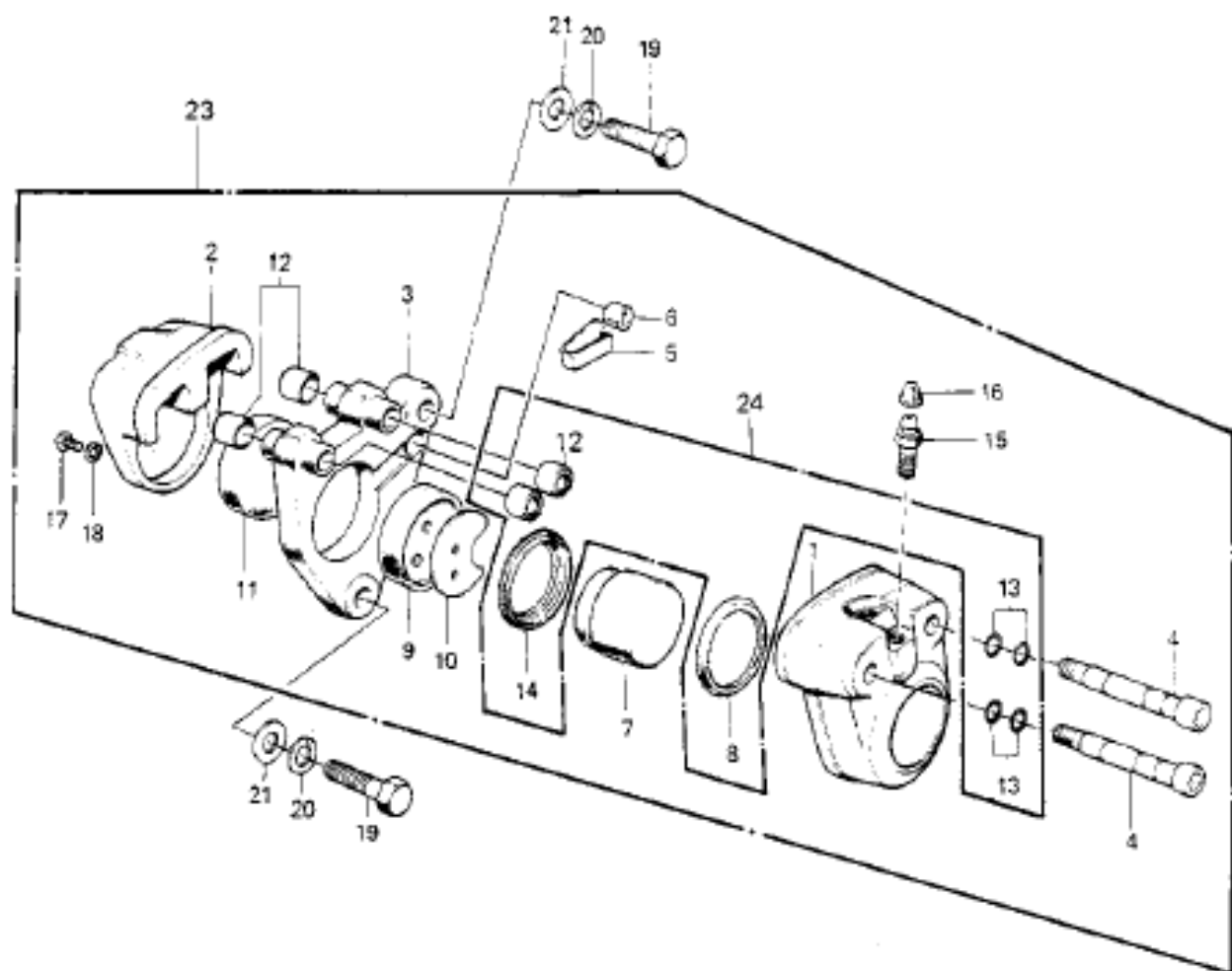
Part#	Ref#	Photo	Description	Qty	Model	Euro
14027-010	1		COVER-BREAKER POINT- #11111 & ABOVE	1	S2	
14027-010-36	1		COVER-BREAKER POINT	1	S2A	x
14031-047	1		COVER-BREAKER POINT- #11110 & BELOW	1	S2	
14050-005	2		GASKET-POINT CAP	1	S2/A	
14031-052	3		COVER L.H ENGINE	1	S2	
14031-052-36	3		COVER L.H ENGINE	1	S2A	
14045-012	4		GASKET-L.H. ENG COVER	1	S2/A	
14026-008	5		COVER-CHN CASE	1	S2	
14026-008-36	5		COVER-CHN CASE	1	S2A	
656G121805	6		OIL SEAL VB12185	1	S2/A	
14030-030	7		COVER OIL PUMP	1	S2	
14030-030-36	7		COVER OIL PUMP	1	S2A	
14032-061	8		COVER R.H ENGINE	1	S2	
14032-061-36	8		COVER R.H ENGINE	1	S2A	
14046-019	9		GASKET-R.H ENGINE COV	1	S2/A	
14044-006	10		HOLDER-PUMP CABLE	1	S2/A	
92054-004	11		OIL SEAL	1	S2/A	
92028-075	12		BUSHING-TACH GEAR SFT	1	S2/A	
92055-025	13		"O" RING	1	S2/A	
92042-015	14		PIN-DOWEL	1	S2/A	
13226-005	15		SHAFT-TACHOMETER GEAR	1	S2/A	
13224-008	16		GEAR-TACHOMETER	1	S2/A	
16085-017	17		GEAR-OIL PUMP	1	S2/A	
92026-025	18		WASHER-THRUST	1	S2/A	
92026-026	19		WASHER-THRUST	1	S2/A	
14038-030	20		GROMMET-R.H ENG COVER	1	S2/A	
92049-002	21		OIL SEAL SB16244	1	S2/A	
14018-005	22		HOLDER-TACHOMETER GR	1	S2/A	
92042-007	23		PIN-DOWEL	2	S2/A	
92036-017	24		CIRCLIP	1	S2/A	
220B0620	25		SCREW PAN HEAD 6X20	5	S2/A	
220B0625	26		SCREW PAN HEAD 6X25	2	S2/A	
220B0630	27		SCREW PAN HEAD 6X30	6	S2/A	
220B0635	28		SCREW PAN HEAD 6X35	3	S2/A	
220B0645	29		SCREW PAN HEAD 6X45	1	S2/A	
220B0655	30		SCREW PAN HEAD 6X55	4	S2/A	
220B0690	31		SCREW PAN HEAD 6X90	1	S2/A	
220B06100	32		SCREW PAN HEAD 6X100	1	S2/A	
16115-017	33		PLUG-OIL FILLER	1	S2/A	
670B2020	34		"O" RING 20MM	1	S2/A	

FRONT



Illustrations (c) 1966-2002 Kawasaki
Motors Corp., U.S.A. All rights reserved.

Part#	Ref#	Photo	Description	Qty	Model	Euro
35004-061-66	1		FENDER-FR P.C.WHITE	1	S2	
35004-061-68	1		FENDER-FR P.C.RED	1	S2	
35004-075	1		FENDER-FR	1	S2A	
35009-019	2		BRACE FRONT FENDER	1	S2	
220E0614	3		SCREW-PAN-CROSS 6X14	6	S2/A	
92022-193	4		WASHER-PLAIN	4	S2/A	
411B0600	5		WASHER-PLAIN 6MM	10	S2/A	
461F0600	6		WASHER SPRING 6MM	10	S2/A	
310B0600	7		NUT 6MM	8	S2/A	
110B0812	8		BOLT-HEX HEAD 8X12	4	S2/A	
116B0812	8		BOLT-HEX HEAD 8X12 - ALT	4	S2/A	
461F0800	9		WASHER SPRING 8MM	4	S2/A	
35022-056	10		FENDER-RR	1	S2/A	
35022-077	10		FENDER-RR	1	S2A	x
35025-021	11		BRACKET-REAR FENDER	1	S2/A	
110B0616	12		BOLT-HEX HEAD 6X16	4	S2/A	
116B0616	12		BOLT-HEX HEAD 6X16 - ALT	4	S2/A	
92027-122	13		COLLAR-REAR FENDER	2	S2/A	
92022-125	14		WASHER 6.5X20X1.6T	2	S2/A	
92037-097	15		CLAMP	1	S2A	
92019-014	16		NUT LOCK 4MM	1	S2A	
110B0816	17		BOLT-HEX HEAD 8X16	4	S2A	
461F0800	18		WASHER SPRING 8MM	4	S2A	
92037-096	19		CLAMP	1	S2A	
113N1025	20		BOLT-HEX HEAD 10X25	2	S2/A	
461F1000	21		WASHER SPRING 10MM	2	S2/A	
35009-024	2-1		BRACE FRONT FENDER	1	S2A	



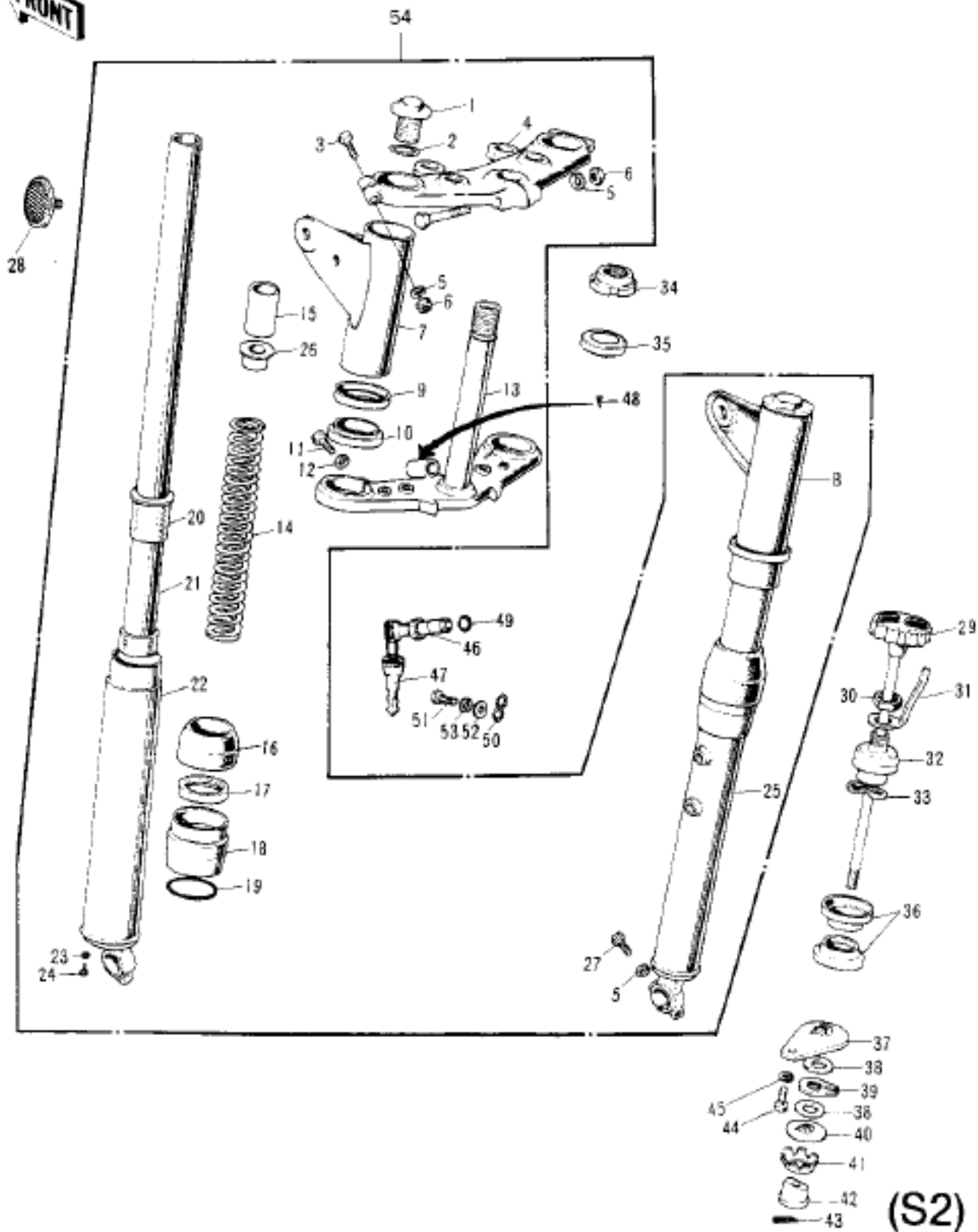
(S2-A)



Illustrations (c) 1966-2002 Kawasaki
Motors Corp., U.S.A. All rights reserved.

Part#	Ref#	Photo	Description	Qty	Model	Euro
43042-003	1		CALIPER A	1	S2A	
43043-002	2		CALIPER B	1	S2A	
43044-003	3		HOLDER-CALIPER	1	S2A	
43045-002	4		SHAFT	2	S2A	
43046-001	5		STOPPER-PAD A	1	S2A	
43047-001	6		BUSHING-RUBBER	1	S2A	
43048-001	7		PISTON-CALIPER	1	S2A	
43049-001	8		RING-PISTON	1	S2A	
43050-002	9		PAD A	1	S2A	
43076-001	10		SHIM	1	S2A	
43051-001	11		PAD B	1	S2A	
43052-002	12		DUST SEAL-SHAFT	4	S2A	
43053-001	13		"O" RING SHAFT	4	S2A	
43054-002	14		DUST SEAL-PISTON	1	S2A	
43056-002	15		BLEEDER	1	S2A	
43057-002	16		CAP BLEEDER	1	S2A	
220B0612	17		SCREW PAN HEAD 6X12	1	S2A	
461F0600	18		WASHER SPRING 6MM	1	S2A	
92007-032	19		BOLT-HEX HEAD 10MM	2	S2A	
461F1000	20		WASHER SPRING 10MM	2	S2A	
410B1000	21		WASHER-PLAIN 10MM	2	S2A	
41080-002	22		DISC PLATE-FRONT BRK	1	S2A	
43041-003	23		CALIPER ASSY	1	S2A	
43073-003	24		REPAIR SET-CALIPER	1	S2A	

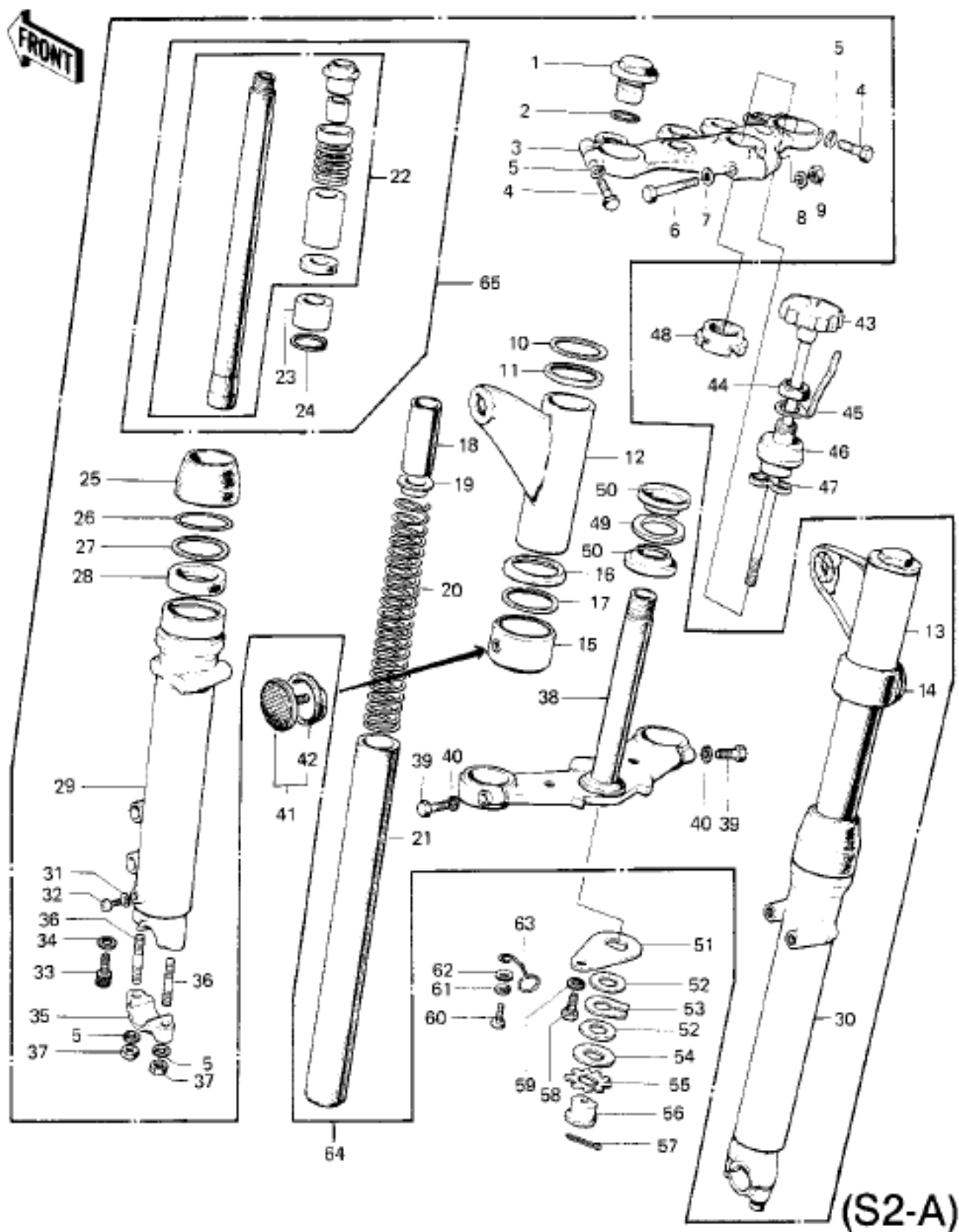
FRONT



Illustrations (c) 1966-2002 Kawasaki
Motors Corp., U.S.A. All rights reserved.

Part#	Ref#	Photo	Description	Qty	Model	Euro
44041-037	1		BOLT-FORK FITTING	2	S2	
44046-015	2		"O" RING FORK TOP	2	S2	
110B0856	3		BOLT-HEX HEAD 8X56	3	S2	
44039-037	4		HEAD-STEERING STEM	1	S2	
461F0800	5		WASHER SPRING 8MM	4	S2	
310B0800	6		NUT 8MM	3	S2	
44033-038-21	7		COVER-L.H FORK-BLK	1	S2	
44034-037-21	8		COVER-R.H FORK-BLK	1	S2	
44043-034	9		WASHER-FORK COVER	2	S2	
44045-029	10		GASKET-FORK COVER	2	S2	
113B1036	11		BOLT-HEX HEAD 10X36	2	S2	
461F1000	12		WASHER SPRING 10MM	2	S2	
44037-037	13		STEM-STEERING	1	S2	
44026-038	14		SPRING-FORK	2	S2	
44028-022	15		SPACER-FORK SPRING	2	S2	
44010-017	16		DUST SHIELD-FORK	2	S2	
44009-010	17		OIL SEAL FORK	2	S2	
44007-015	18		NUT FORK OUTER TUBE	2	S2	
44046-016	19		"O" RING OUTER TUBE	2	S2	
44015-011	20		GUIDE FORK INNER TUBE	2	S2	
44013-031	21		TUBE-FORK INNER	2	S2	
44005-039	22		TUBE-LH FORK OUTER	1	S2	
44045-002	23		GASKET-FORK DRAIN PLG	2	S2	
220B0408A	24		SCREW PAN HEAD 4X8	2	S2	
44006-037	25		TUBE-RH FORK OUTER	1	S2	
44029-019	26		GUIDE-FORK SPRING	2	S2	
44041-017	27		BOLT-FRONT AXLE	1	S2	
28001-008	28		REFLECTOR-REFLEX FRNT	2	S2	
46101-004	29		KNOB-STEERING DAMPER	1	S2	
315N1200A	30		NUT 12MM	1	S2	
46126-001	31		SPRING-STEERING DAMP KNOB	1	S2	
92090-020	32		NUT STEERING STEM	1	S2	
46100-002	33		WASHER-WAVE	1	S2	
92090-007	34		NUT STEERING STEM LCK	1	S2	
46098-010	35		CAP-STEERING STEM	1	S2	
92047-006	36		CONE STRNG STEM BERNG	2	S2	
46106-005	37		PLATE STRG DAMP STEEL	1	S2	
46104-005	38		PLATE STRG DAMP FRCTN	2	S2	
46105-005	39		PLATE STRG DAMP ANCHR	1	S2	
46106-006	40		PLATE STRG DAMP STEEL	1	S2	
46124-005	41		SPRING-STEERING DAMP	1	S2	
46125-005	42		NUT STRG DAMPER GUIDE	1	S2	
550D1615	43		PIN COTTER 1.6X15	1	S2	
114B0812	44		BOLT-HEX HEAD 8X12	1	S2	
461F0800	45		WASHER SPRING 8MM	1	S2	
27016-024	46		LOCK ASSY-STEERING	1	S2	

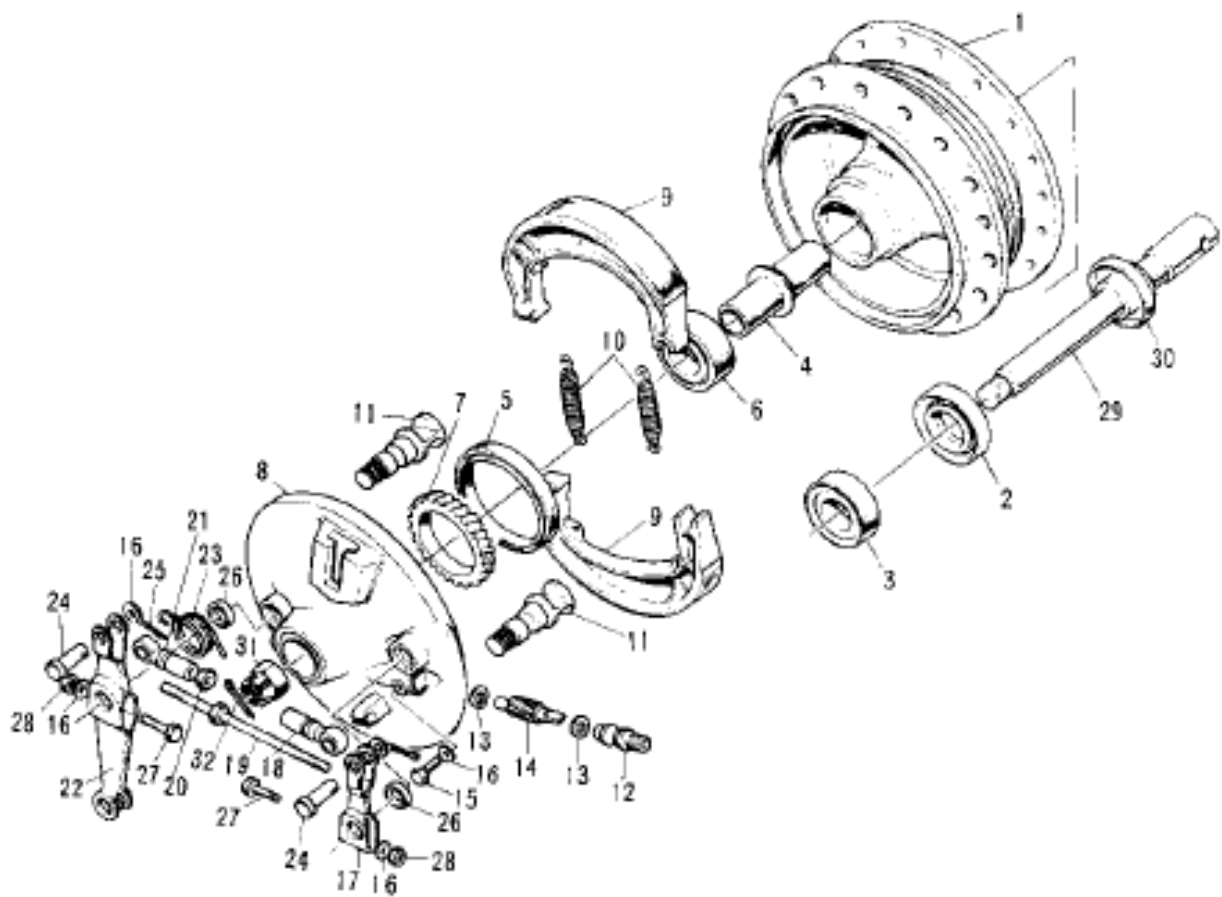
27008-042-01	47	KEY SET #701	AR	S2
27008-042-02	47	KEY SET #702	AR	S2
27008-042-03	47	KEY SET #703	AR	S2
27008-042-04	47	KEY SET #704	AR	S2
27008-042-05	47	KEY SET #705	AR	S2
27008-042-85	47	KEY SET #685	AR	S2
27008-042-86	47	KEY SET #686	AR	S2
27008-042-87	47	KEY SET #687	AR	S2
27008-042-88	47	KEY SET #688	AR	S2
27008-042-89	47	KEY SET #689	AR	S2
92099-001	48	SCREW RIVET	1	S2
92033-024	49	CIRCLIP-STEERING LOCK	1	S2
92037-046	50	CLAMP-CABLE	1	S2
110B0612	51	BOLT-HEX HEAD 6X12	1	S2
116B0612	51	BOLT-HEX HEAD 6X12 - ALT	1	S2
410B0600	52	WASHER-PLAIN 6MM	1	S2
461F0600	53	WASHER SPRING 6MM	1	S2
44001-078-21	54	FORK-FRONT	1	S2



Illustrations (c) 1966-2002 Kawasaki
Motors Corp., U.S.A. All rights reserved.

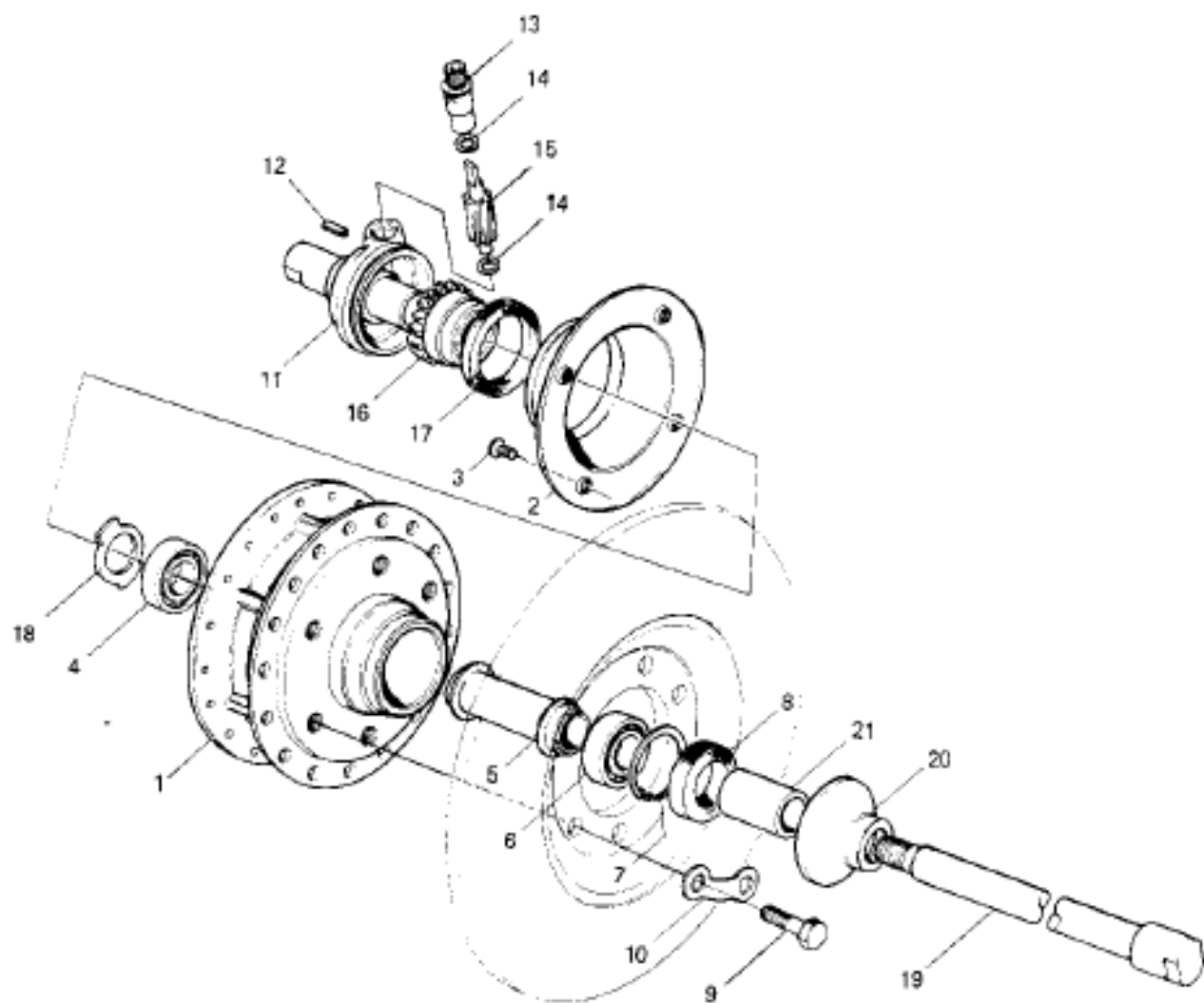
Part#	Ref#	Photo	Description	Qty	Model	Euro
44041-037	1		BOLT-FORK FITTING	2	S2A	
44046-017	2		"O" RING FORK TOP	2	S2A	
44039-051	3		HEAD-STEERING STEM	1	S2A	
44041-044	4		BOLT-STEERING STEM HD	2	S2A	
461F0800	5		WASHER SPRING 8MM	6	S2A	
44041-042	6		BOLT-STEERING STEM HD	1	S2A	
463H0800	7		WASHER LOCK 8MM	1	S2A	
410B0800	8		WASHER-PLAIN 8MM	1	S2A	
92019-007	9		NUT LOCK 8MM	1	S2A	
44045-039	10		GASKET-FORK COVER	2	S2A	
44043-047	11		WASHER-FORK COVER	2	S2A	
44033-053-21	12		COVER-L.H FORK-BLK	1	S2A	
44033-067	12		COVER-L.H FORK CR - ALT	1	S2A	
44034-053-21	13		COVER-R.H FORK-BLK	1	S2A	
44034-067	13		COVER-R.H FORK CR - ALT	1	S2A	
44064-009	14		GUIDE-FORK COVER R.H	1	S2A	
44064-010	15		GUIDE-FORK COVER L.H	1	S2A	
44032-005	16		CAP FORK COVER	2	S2A	
44045-029	17		GASKET-FORK COVER	2	S2A	
44028-026	18		SPACER-FORK SP GUIDE	2	S2A	
44029-019	19		GUIDE-FORK SPRING	2	S2A	
44026-043	20		SPRING-FORK	2	S2A	
44013-038	21		TUBE-FORK INNER	2	S2A	
44022-011	22		CYLINDER-FORK	2	S2A	
44022-026	22		CYLINDER-FORK USE FOR 44023-005	2	S2A	
44018-001	23		PISTON-FORK	2	S2A	
44018-009	23		PISTON-FORK USE FOR 44022-026	2	S2A	
44044-008	24		CIRCLIP-FORK PISTON	2	S2A	
44044-019	24		CIRCLIP-FORK PISTON USE WITH 44022-026	2	S2A	
44010-019	25		DUST SHIELD-FORK	2	S2A	
44044-005	26		CIRCLIP-OIL SEAL FIT	2	S2A	
44043-023	27		WASHER-OIL SEAL FIT	2	S2A	
44009-013	28		OIL SEAL FORK	2	S2A	
44005-046	29		TUBE-LH FORK OUTER	1	S2A	
44006-044	30		TUBE-RH FORK OUTER	1	S2A	
44045-002	31		GASKET-FORK DRAIN PLG	2	S2A	
220B0408A	32		SCREW PAN HEAD 4X8	2	S2A	
44041-040	33		BOLT-FORK CYLINDER	2	S2A	
44045-034	34		GASKET-FORK COVER	2	S2A	
44063-006	35		HOLDER-FRONT AXLE	2	S2A	
172G0830	36		STUD 8X30	4	S2A	
310B0800	37		NUT 8MM	4	S2A	
44037-058	38		STEM-STEERING	1	S2A	
113B1032	39		BOLT-HEX HEAD 10X32	2	S2A	
461F1000	40		WASHER SPRING 10MM	2	S2A	
28001-019	41		REFLECTOR-REFLEX FRNT	2	S2A	

28016-002	42	DAMPER RUBBER-REFLEX	2	S2A
46101-007	43	KNOB-STEERING DAMPER	1	S2A
315N1200A	44	NUT 12MM	1	S2A
46126-001	45	SPRING-STEERING DAMP KNOB	1	S2A
92090-020	46	NUT STEERING STEM	1	S2A
46100-002	47	WASHER-WAVE	1	S2A
92090-007	48	NUT STEERING STEM LCK	1	S2A
46098-010	49	CAP-STEERING STEM	1	S2A
92047-006	50	CONE STRNG STEM BERNG	2	S2A
46106-007	51	PLATE STRG DAMP STEEL	1	S2A
46104-005	52	PLATE STRG DAMP FRCTN	2	S2A
46105-005	53	PLATE STRG DAMP ANCHR	1	S2A
46106-008	54	PLATE STRG DAMP STEEL	1	S2A
46124-006	55	SPRING-STEERING DAMP	1	S2A
46125-005	56	NUT STRG DAMPER GUIDE	1	S2A
550D1615	57	PIN COTTER 1.6X15	1	S2A
114B0812	58	BOLT-HEX HEAD 8X12	1	S2A
110B0610	60	BOLT-HEX HEAD 6X10	1	S2A
116B0610	60	BOLT-HEX HEAD 6X10 - ALT	1	S2A
461F0600	61	WASHER SPRING 6MM	1	S2A
410B0600	62	WASHER-PLAIN 6MM	1	S2A
92037-099	63	CLAMP-CABLE	1	S2A
44001-097-21	64	FORK-FRONT FORK ASSY BLK	1	S2A
44001-144	64	FORK-FRONT CR - ALT	1	S2A
44023-005	65	DAMPER CYLINDER-SET	2	S2A



(S2)

Part#	Ref#	Photo	Description	Qty	Model	Euro
41034-007	1		DRUM ASSY-FR BRK	1	S2	
92052-005	2		OIL SEAL WTC25428	1	S2	
601B6302	3		BEARING BALL #6302	1	S2	
41039-011	4		SPACER-FR AXLE BRG	1	S2	
92050-017	5		OIL SEAL WOC55687	1	S2	
601B6302Z	6		BEARING BALL #6302Z	1	S2	
41059-009	7		GEAR-SPEEDOMETER	1	S2	
41035-013-21	8		PANEL-ASY FR BRK FLT BLK	1	S2	
41048-004	9		SHOE-BRAKE	2	S2	
41049-004	10		SPRING-BRAKE SHOE	2	S2	
41050-004	11		CAM SHAFT FRONT BRAKE	2	S2	
41062-003	12		BUSH-SPEEDMETER PINION 12T	1	S2	
41063-003	13		WASHER PINION THRUST	2	S2	
41060-007	14		PINION-SPEEDOMETER	1	S2	
110B0618	15		BOLT-HEX HEAD 6X18	1	S2	
116B0618	15		BOLT-HEX HEAD 6X18 - ALT	1	S2	
411B0600	16		WASHER-PLAIN 6MM	5	S2	
41053-012	17		LEVER-FRT BRK CAM 2ND	1	S2	
41058-009	18		ROD END BRK CONNECT - ALT	1	S2	
41058-010	18		ROD END BRK CONNECT	1	S2	
41057-004	19		ROD BRK CAM LEV CONCT	1	S2	
310B0500	20		NUT 5MM	1	S2	
41058-008	21		ROD END BRK CONNECT	1	S2	
41053-011	22		LEVER-FRT BRK CAM 1ST	1	S2	
41056-001	23		SPRING BRAKE CAM LEV	1	S2	
41055-003	24		PIN BRAKE CONNECT ROD	1	S2	
550D1210	25		PIN COTTER 1.2X10	1	S2	
41051-001	26		DUST SHIELD-BRAKE CAM	1	S2	
110B0630	27		BOLT-HEX HEAD 6X30	1	S2	
116B0630	27		BOLT-HEX HEAD 6X30 - ALT	1	S2	
310B0600	28		NUT 6MM	2	S2	
41068-035	29		AXLE-FRONT	1	S2	
41069-007	30		COLLAR-AXLE OIL SEAL	1	S2	
320B1400	31		NUT 14MM	1	S2	
550D3030	32		PIN COTTER 3.0X30	1	S2	

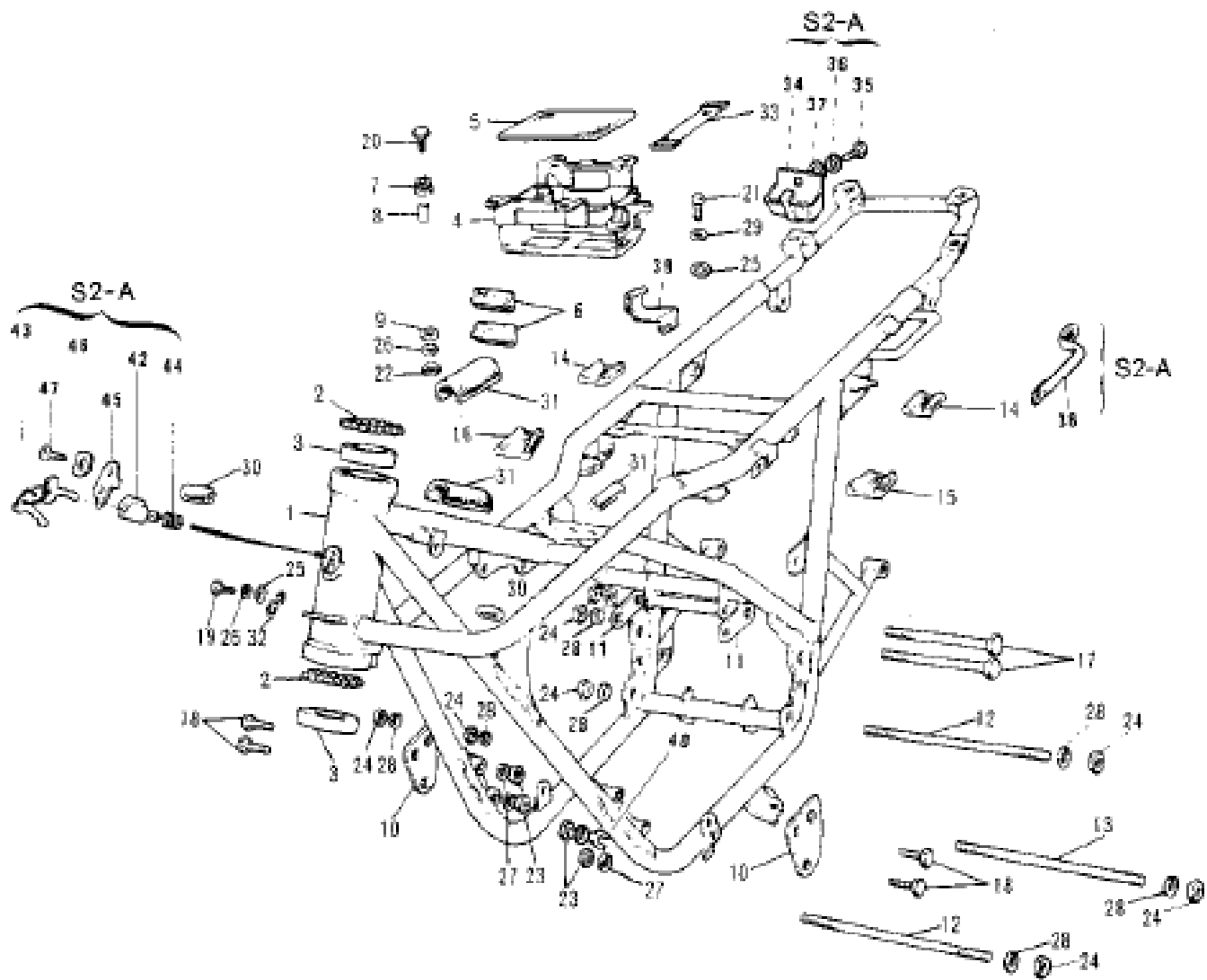


← FRONT

(S2-A)

Illustrations (c) 1966–2002 Kawasaki
Motors Corp., U.S.A. All rights reserved.

Part#	Ref#	Photo	Description	Qty	Model	Euro
41034-024	1		DRUM ASSY-FR BRK	1	S2A	
41042-011	2		DUST COVER	1	S2A	
222E0408A	3		SCREW OVL CNTSNK 4X8	4	S2A	
601B6302Z	4		BEARING BALL #6302Z	1	S2A	
41039-021	5		SPACER-FR AXLE BRG	1	S2A	
601B6302	6		BEARING BALL #6302	1	S2A	
481J4200	7		CIRCLIP 42MM	1	S2A	
92052-005	8		OIL SEAL WTC25428	1	S2A	
92001-104	9		BOLT-HEX HEAD 8X28	4	S2A	
92088-016	10		WASHER LOCK	2	S2A	
41078-002	11		GEAR BOX ASSY	1	S2A	
41082-001	12		PIN-SPRING	1	S2A	
41062-005	13		BUSH-SPEEDMETER CABLE	1	S2A	
41063-001	14		WASHER-THRUST SPD PINION	2	S2A	
41060-013	15		PINION-SPEEDOMETER	1	S2A	
41059-017	16		GEAR-SPEEDOMETER 25T	1	S2A	
92050-049	17		OIL SEAL	1	S2A	
41064-008	18		RECEIVER-SPEEDO GEAR	1	S2A	
41068-038	19		AXLE-FRONT	1	S2A	
41042-012	20		DUST COVER-FRONT AXLE	1	S2A	
41069-020	21		COLLAR-FRONT AXLE	1	S2A	

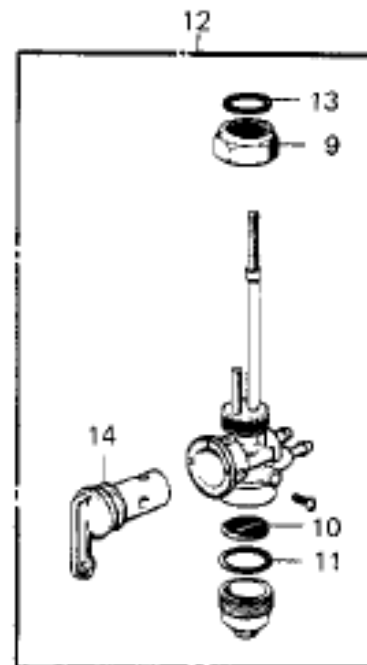
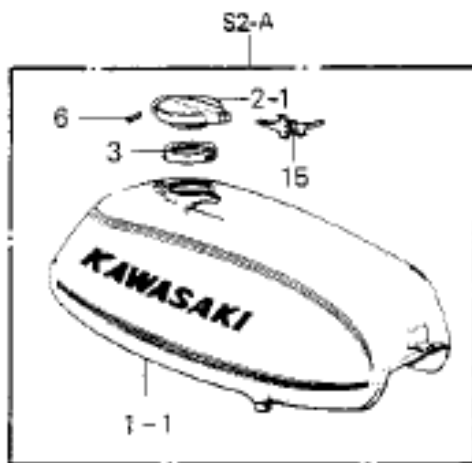
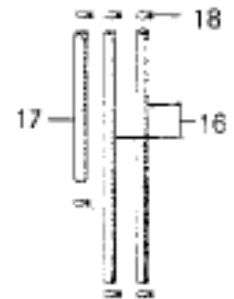
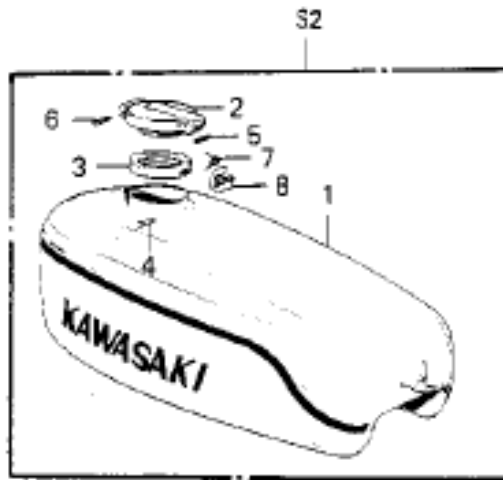


Illustrations (c) 1966-2002 Kawasaki
 Motors Corp., U.S.A. All rights reserved.

Part#	Ref#	Photo	Description	Qty	Model	Euro
32002-046	1		FRAME	1	S2	
32002-061	1		FRAME	1	S2A	
600A0800	2		BALL STEEL 1/4"	38	S2/A	
92048-006	3		RACE STRNG STEM BERNG	2	S2/A	
32099-008	4		CASE-BATTERY	1	S2/A	
32103-006	5		MAT BATTERY	1	S2/A	
32103-003	6		SEAT RECTIFIER RUBBER	2	S2/A	
92075-076	7		DAMPER RUBBER	4	S2/A	
92027-129	8		COLLAR 6.8X10X8.5	4	S2/A	
92022-125	9		WASHER 6.5X20X1.6T	4	S2/A	
32030-022	10		PLATE-ENGINE MOUNT	2	S2/A	
32030-023	11		PLATE-ENGINE MOUNT	2	S2/A	
92091-018	12		BOLT-ENG MOUNT L=244	2	S2/A	
92091-002	13		BOLT-ENG MOUNT	1	S2/A	
31082-007	14		DAMPER RUBBER	2	S2/A	
31082-008	15		DAMPER RUBBER	1	S2/A	
31082-009	16		DAMPER RUBBER	1	S2/A	
113B10110	17		BOLT-HEX HEAD 10X110	2	S2/A	
110B0850	18		BOLT-HEX HEAD 8X50	4	S2/A	
110B0612	19		BOLT-HEX HEAD 6X12	1	S2/A	
116B0612	19		BOLT-HEX HEAD 6X12 - ALT	1	S2/A	
110B0622	20		BOLT-HEX HEAD 6X22	4	S2/A	
116B0622	20		BOLT-HEX HEAD 6X22 - ALT	4	S2/A	
220B0614	21		SCREW PAN HEAD 6X14	1	S2/A	
310B0600	22		NUT 6MM	2	S2/A	
310B0800	23		NUT 8MM	4	S2/A	
313B1000	24		NUT 10MM	4	S2/A	
410B0600	25		WASHER-PLAIN 6MM	3	S2/A	
461F0600	26		WASHER SPRING 6MM	6	S2/A	
461F0800	27		WASHER SPRING 8MM	4	S2/A	
461F1000	28		WASHER SPRING 10MM	8	S2/A	
464H0600	29		WASHER LOCK 6MM	2	S2/A	
92075-044	30		DAMPER RUBBER-FUEL TANK	2	S2/A	
51067-002	31		MAT-FUEL TANK	3	S2/A	
92037-108	32		CLAMP-CABLE	1	S2/A	
92072-012	33		BAND-TOOL	1	S2/A	
32132-001	34		COVER-SPARK PLUG	1	S2A	
110B0614	35		BOLT-HEX HEAD 6X14	1	S2A	
116B0614	35		BOLT-HEX HEAD 6X14 - ALT	1	S2A	
461F0600	36		WASHER SPRING 6MM	1	S2A	
92022-024	37		WASHER-PLAIN	1	S2A	
32109-013	38		GRIP-FRAME	1	S2A	
32122-006	39		BRACKET-HELMET HOLDER	1	S2A	
92025-048	40		SHIM-ENG FIT RR 0.5MM	AR	S2A	
92025-049	40		SHIM-ENG FIT RR 0.8MM	AR	S2A	
92025-050	40		SHIM-ENG FIT RR 1.0MM	AR	S2A	

92025-051	40	SHIM-ENG FIT RR 1.6MM	AR	S2A
92025-052	40	SHIM-ENG FIT RR 2.0MM	AR	S2A
92025-053	41	SHIM-ENG FIT FR 0.5MM	AR	S2A
92025-054	41	SHIM-ENG FIT FR 0.8MM	AR	S2A
92025-055	41	SHIM-ENG FIT FR 1.0MM	AR	S2A
92025-056	41	SHIM-ENG FIT FR 1.6MM	AR	S2A
92025-057	41	SHIM-ENG FIT FR 2.0MM	AR	S2A
92025-058	41	SHIM-ENG FIT FR 2.3MM	AR	S2A
27016-030	42	LOCK ASSY-STEERING	1	S2A
27018-016-65	43	KEY SET #265	AR	S2A
27018-016-66	43	KEY SET #266	AR	S2A
27018-016-67	43	KEY SET #267	AR	S2A
27018-016-68	43	KEY SET #268	AR	S2A
27018-016-69	43	KEY SET #269	AR	S2A
27018-016-70	43	KEY SET #270	AR	S2A
27018-016-71	43	KEY SET #271	AR	S2A
27018-016-72	43	KEY SET #272	AR	S2A
27018-016-73	43	KEY SET #273	AR	S2A
27018-016-74	43	KEY SET #274	AR	S2A
27018-016-75	43	KEY SET #275	AR	S2A
27018-016-76	43	KEY SET #276	AR	S2A
27018-016-77	43	KEY SET #277	AR	S2A
27018-016-78	43	KEY SET #278	AR	S2A
27018-016-79	43	KEY SET #279	AR	S2A
27032-001	44	SPRING-STEERING LOCK	1	S2A
27031-001	45	CAP-STEERING LOCK	1	S2A
92097-003	46	WASHER-WAVE	1	S2A
92008-007	47	SCREW-TAPPING	1	S2A

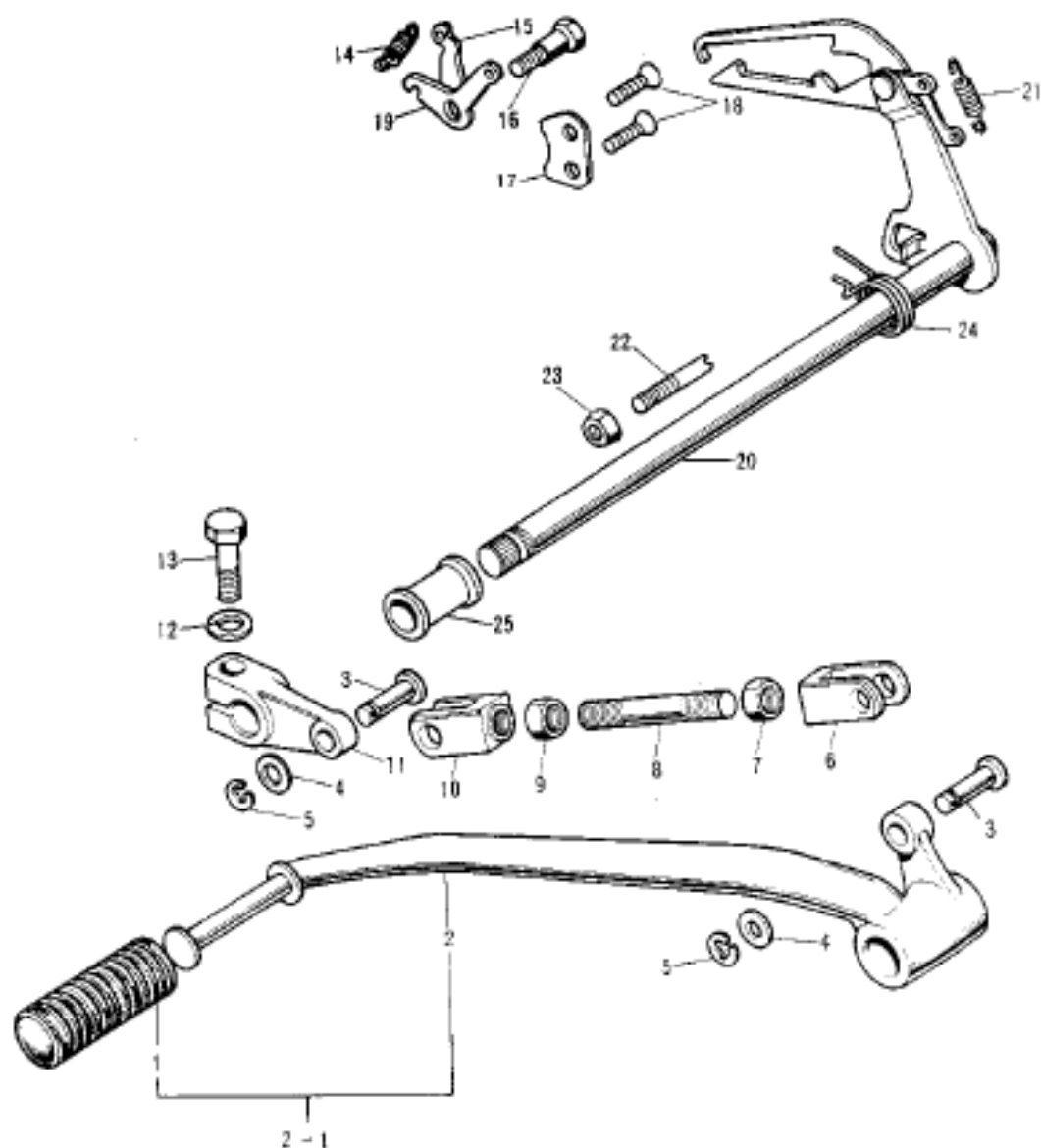
FRONT



Illustrations (c) 1966-2002 Kawasaki Motors Corp., U.S.A. All rights reserved.

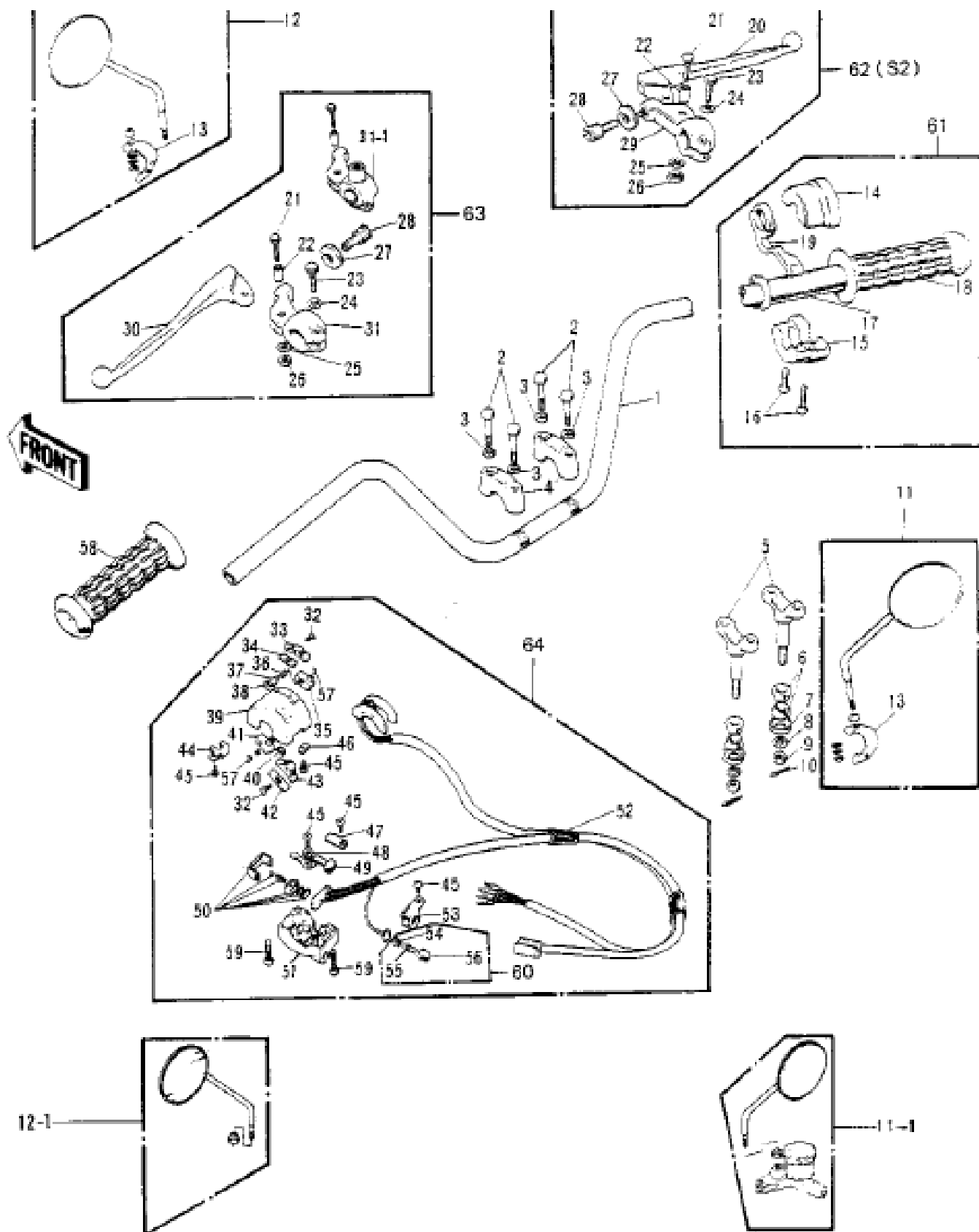
Part#	Ref#	Photo	Description	Qty	Model	Euro
51001-071-66	1		TANK-FUEL P.C.WHITE	1	S2	
51001-071-68	1		TANK-FUEL P.C.RED USE 51002-008-68	1	S2	
51002-008-68	1		TANK-FUEL P.C.RED INCL CAP ASSY	1	S2	
51051-004	2		CAP-FUEL TANK	1	S2	
51059-008	3		GASKET-FUEL TANK CAP	1	S2/A	
92043-072	4		PIN-HOOK	1	S2	
92043-073	5		PIN-TANK CAP STOPPER	1	S2	
92043-074	6		PIN-TANK CAP FIT	1	S2	
92043-094	6		PIN-TANK CAP FIT	1	S2A	
51053-003	7		SPRING-HOOK	1	S2	
51063-001	8		HOOK-FUEL TANK CAP	1	S2	
51035-009	9		FUEL COCK JOINT NUT	1	S2/A	
51038-007	10		STRAINER FUEL	1	S2/A	
51037-010	11		GASKET-FUEL COCK CUP	1	S2/A	
51023-021	12		COCK ASSY-FUEL	1	S2	
51023-026	12		COCK ASSY-FUEL	1	S2A	
51023-039	12		COCK ASSY-FUEL - ALT	1	S2/A	
92065-081	13		GASKET-FUEL COCK JNT.	1	S2A	
92065-084	13		GASKET-FUEL COCK JNT.	1	S2	
51030-001	14		FUEL COCK LEVER SET USE FOR 51023-026	1	S2/A	
27018-016-65	15		KEY SET #265	AR	S2A	
27018-016-66	15		KEY SET #266	AR	S2A	
27018-016-67	15		KEY SET #267	AR	S2A	
27018-016-68	15		KEY SET #268	AR	S2A	
27018-016-69	15		KEY SET #269	AR	S2A	
27018-016-70	15		KEY SET #270	AR	S2A	
27018-016-71	15		KEY SET #271	AR	S2A	
27018-016-72	15		KEY SET #272	AR	S2A	
27018-016-73	15		KEY SET #273	AR	S2A	
27018-016-74	15		KEY SET #274	AR	S2A	
27018-016-75	15		KEY SET #275	AR	S2A	
27018-016-76	15		KEY SET #276	AR	S2A	
27018-016-77	15		KEY SET #277	AR	S2A	
27018-016-78	15		KEY SET #278	AR	S2A	
27018-016-79	15		KEY SET #279	AR	S2A	
92059-073	16		PIPE-FUEL L=220MM	2	S2/A	
92059-068	17		PIPE-FUEL L=130MM	1	S2/A	
92059-074	17		PIPE-FUEL	1	S2	
92037-010	18		CLAMP-FUEL PIPE	6	S2/A	
92072-029	19		BAND-FUEL TANK	1	S2	
92072-050	19		BAND-FUEL TANK	1	S2A	
51001-080-91	1-1		TANK-FUEL C.ORANGE	1	S2A	
51001-080-93	1-1		TANK-FUEL C.BLUE	1	S2A	
51049-020	2-1		CAP ASSY-FUEL TANK	1	S2A	
56013-051			DECAL-FUEL TANK	2	S2A	
56027-121			DECAL-FUEL TANK STRIPE LH RED	AR	S2A	

56027-122	DECAL-FUEL TANK STRIPE RH RED	AR	S2A
56027-123	DECAL-FUEL TOP TANK STRIPE LH	1	S2A
56027-124	DECAL-FUEL TOP TANK STRIPE RH	1	S2A
56027-133	DECAL-FUEL TANK STRIPE LH PUR	AR	S2A
56027-134	DECAL-FUEL TANK STRIPE RH PUR	AR	S2A



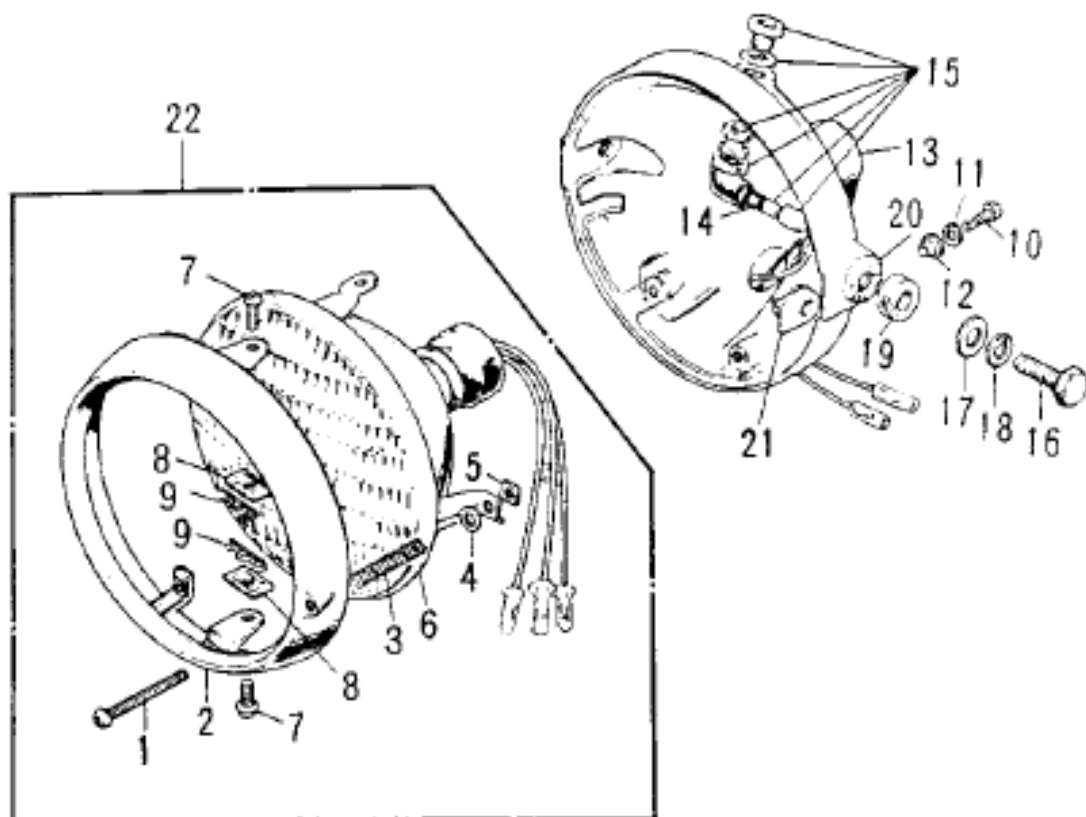
- 1
- 1
- 1
- 1
- 1
- 1
- 1
- 1
- 1
- 1
- 2
- 2
- 2
- 2
- 2
- 2

Part#	Ref#	Photo	Description	Qty	Model	Euro
13157-004	1		RUBBER CHANGE PEDAL	1	S2/A	
13156-040	2		PEDAL GEAR CHANGE	1	S2/A	
92043-069	3		PIN - 8mm	2	S2/A	
410B0600	4		WASHER-PLAIN 6MM	2	S2/A	
482K5000	5		CIRCLIP 5MM	2	S2/A	
13159-008	6		CONNECTOR B - CCW THREAD	1	S2/A	
92017-010	7		NUT 8MM - CCW THREAD	1	S2/A	
92003-074	8		ROD	1	S2/A	
318B0800	9		NUT 8MM	1	S2/A	
13159-007	10		CONNECTOR A - CW THREAD	1	S2/A	
13158-007	11		LEVER-GEAR CHANGE	1	S2/A	
461F0800	12		WASHER SPRING 8MM	1	S2/A	
110N0820	13		BOLT-HEX HEAD 8X20	1	S2/A	
92081-091	14		SPRING-GEAR CHG DRUM LVR	1	S2/A	
13170-005	15		PLATE CHANGE DRUM LEV	1	S2/A	
92011-023	16		SCREW PAN HEAD	1	S2/A	
13169-007	17		PLATE-DRUM LEV POSTON	1	S2/A	
221B0616	18		SCREW CNTSNK HD 6X16	2	S2/A	
13236-002	19		LEVER ASSY-CHNG RETRN	1	S2/A	
13161-026	20		LEVER ASSY GEAR CHNG	1	S2/A	
92081-011	21		SPRING-GEAR CHG DRUM LVR	1	S2/A	
92043-009	22		PIN-RETURN SPRING	1	S2/A	
312B0800	23		NUT 8MM	1	S2/A	
92083-002	24		SPRING-CHANGE LEVER	1	S2/A	
13171-004	25		DUST SHIELD-CHNG SHAFT	1	S2/A	
13242-009	2-1		PEDAL ASY GEAR CHANGE	1	S2/A	



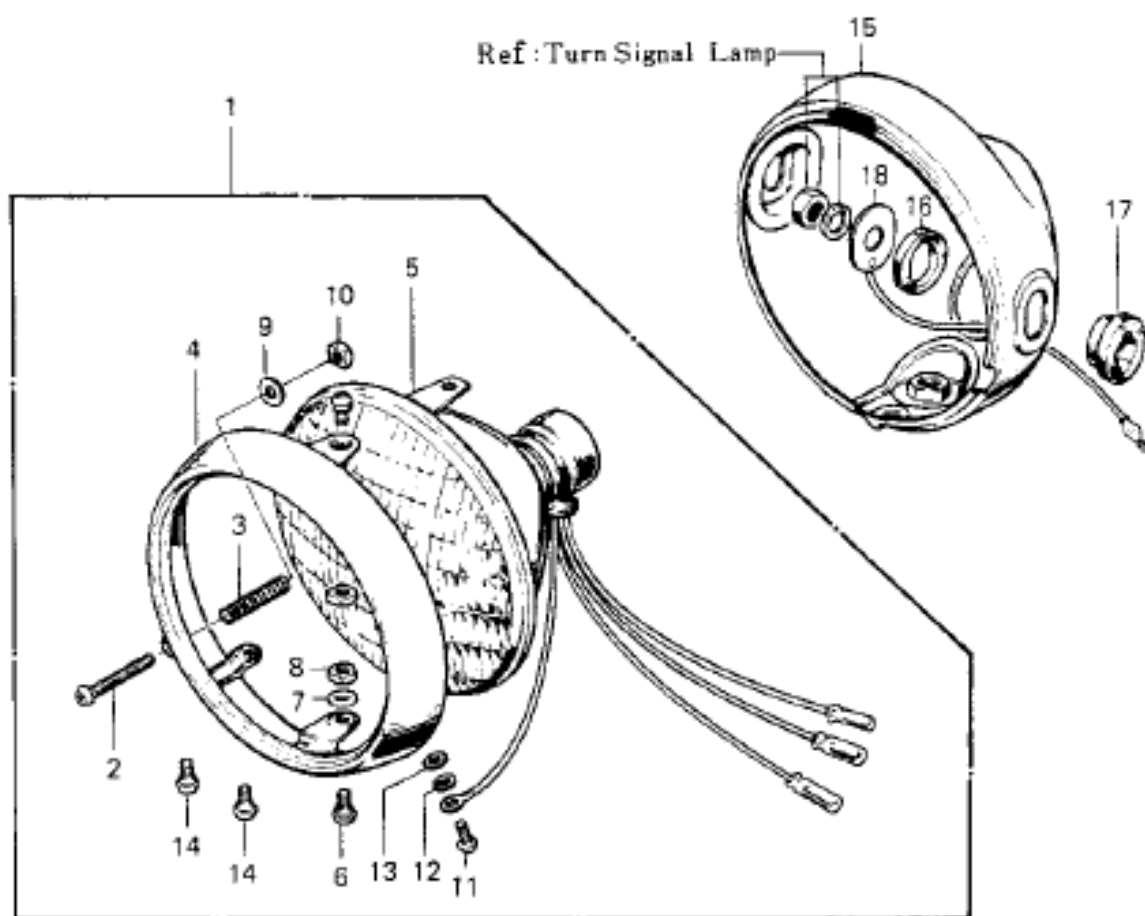
Part#	Ref#	Photo	Description	Qty	Model	Euro
46003-026	1		HANDLEBAR	1	S2	
46003-030	1		HANDLEBAR	1	S2A	
46006-011	1		HANDLEBAR SEMI-LOW	1	S2A	x
92007-002	2		BOLT 8X38	4	S2/A	
461F0800	3		WASHER SPRING 8MM	4	S2/A	
46012-008	4		HOLDER-HANDLEBAR	2	S2/A	
46012-010	5		HOLDER-HANDLEBAR LOW	2	S2/A	
92075-039	6		DAMPER RUBBER-HANDLE	4	S2/A	
46016-003	7		CAP HANDLEBAR HOLDER	2	S2/A	
461F1000	8		WASHER SPRING 10MM	2	S2/A	
313B1000	9		NUT 10MM	2	S2/A	
92041-005	10		PIN COTTER 2.5X20	2	S2/A	
56001-006	11		REAR VIEW MIRROR R.H - SELECTIVE USE	1	S2	
56003-007	12		REAR VIEW MIRROR L.H - SELECTIVE USE	1	S2	
56006-001	13		BRACKET-REAR VIEW MIRROR	2	S2/A	
46041-006	14		CASE-R.H UPPER	1	S2/A	
46023-006	15		CASE-R.H LOWER	1	S2/A	
220B0522A	16		SCREW PAN HEAD 5X22	2	S2/A	
46019-017	17		GRIP ASSY-THROTTLE	1	S2	
46019-023	17		GRIP ASSY-THROTTLE	1	S2A	
46061-012	18		RUBBER-R.H GRIP	1	S2/A	
46096-007	19		LEVER-STARTER	1	S2/A	
46058-004	20		LEVER-FRONT BRAKE	1	S2/A	
46058-014	20		LEVER-FRONT BRAKE-OPTION	1	S2/A	
92007-020	21		BOLT-HEX HEAD 5X20	2	S2/A	
46059-011	22		COLLAR LEVER	2	S2/A	
110N0622	23		BOLT-HEX HEAD 6X25	2	S2	
110N0625	23		BOLT-HEX HEAD 6X25	1	S2A	
410B0600	24		WASHER-PLAIN 6MM	2	S2/A	
464H0500	25		WASHER LOCK 5MM	2	S2/A	
312B0500A	26		NUT 5MM	1	S2/A	
46056-005	27		NUT LOCK	2	S2/A	
46055-003	28		SCREW CABLE ADJUST	2	S2	
46055-006	28		SCREW ADJUST	2	S2A	
46075-017	28		RUBBER-L.H GRIP	1	S2/A	
46060-006	29		HOLDER-FR BRAKE LEVER	1	S2/A	
46092-005	30		LEVER-CLUTCH	1	S2	
46092-014	30		LEVER-CLUTCH - OPTION	1	S2	
46092-015	30		LEVER-CLUTCH	1	S2A	
46094-010	31		HOLDER-CLUTCH LEVER	1	S2	
221B0308A	32		SCREW CNTSNK HD 3X8	1	S2/A	
46044-008	33		KNOB-L.H SWITCH B	1	S2/A	
46031-006	34		SPRING-L.H SW KNOB B	1	S2/A	
46089-005	35		SWITCH-L.H A	1	S2/A	
46031-007	36		SPRING-L.H SWITCH	2	S2/A	
46079-005	37		CONTACT-L.H SWITCH	2	S2/A	

46080-004	38	PLATE-L.H SW CNTACT B	1	S2/A	
46086-014	39	CASE-L.H UPPER	1	S2/A	
46086-017	39	CASE-L.H UPPER - EURO	1	S2/A	x
46080-003	40	PLATE-L.H SW CNTACT A	1	S2/A	
46089-006	41	SWITCH-L.H B	1	S2/A	
46089-011	41	SWITCH-L.H B - EURO	1	S2/A	x
46031-003	42	SPRING-L.H SW KNOB	1	S2/A	
46044-005	43	KNOB-L.H. SWITCH A	1	S2/A	
46044-014	43	KNOB-L.H. SWITCH A - EURO	1	S2/A	x
46085-018	44	HOLDER-L.H SW UPPER A	1	S2/A	
46085-021	44	HOLDER-L.H SW UPPER A - EURO	1	S2/A	x
220B0305A	45	SCREW PAN HEAD 3X5	5	S2/A	
46085-019	46	HOLDER-L.H SW UPPER B	1	S2/A	
46085-016	47	HOLDER-L.H SW LOWER A	1	S2/A	
92095-010	48	WASHER	1	S2/A	
46043-006	49	KNOB-LIGHTING SWITCH - EURO	1	S2/A	x
46044-007	49	KNOB-SWITCH	1	S2/A	
46089-007	50	SLIDE BLOCK ASSY-L.H SW	1	S2/A	
46077-016	51	CASE-L.H LOWER	1	S2/A	
46082-018	52	WIRING HARNESS-L.H SW	1	S2/A	
46082-027	52	WIRING HARNESS-L.H SW - EURO	1	S2/A	x
46085-017	53	HOLDER-L.H SW LOWER B	1	S2/A	
46031-005	54	SPRING-HORN SWITCH	1	S2/A	
46079-003	55	CONTACT HORN BUTTON	1	S2/A	
46028-003	56	BUTTON-HORN SWITCH	1	S2/A	
46079-004	57	CONTACT-L.H SWITCH	1	S2/A	
220B0522A	59	SCREW PAN HEAD 5X22	2	S2/A	
46018-018	61	CASE ASSY R.H.	1	S2/A	
46021-025	62	LEVER ASSY FRT BRAKE	1	S2	
46076-044	63	LEVER ASSY-CLUTCH	1	S2	
46091-005	64	CASE ASSY L.H.	1	S2/A	
46091-010	64	CASE ASSY L.H. - EURO	1	S2/A	x
56002-020	11-1	REAR VIEW MIRROR R.H OPTION	1	S2/A	
56003-009	12-1	REAR VIEW MIRROR L.H.	1	S2/A	
46021-013	20-1	LEVER ASSY FRT BRAKE INCL REF #20-29	1	S2	
46076-018	30-1	LEVER ASSY-CLUTCH INCL REF #21-28,30,31	1	S2	
46076-027	30-1	LEVER ASSY-CLUTCH INCL REF #21-28,30,31	1	S2/A	
46076-041	30-1	LEVER ASSY-CLUTCH INCL REF #21-28,30,31	1	S2	
46094-011-21	31-1	HOLDER-CLUTCH LEV-BLK	1	S2/A	
46031-008		SPRING PLATE-LIGHTING SWITCH - EURO	2	S2/A	x
46080-005		PLATE-LH SWITCH CONTACT - EURO	1	S2/A	x



(S2)

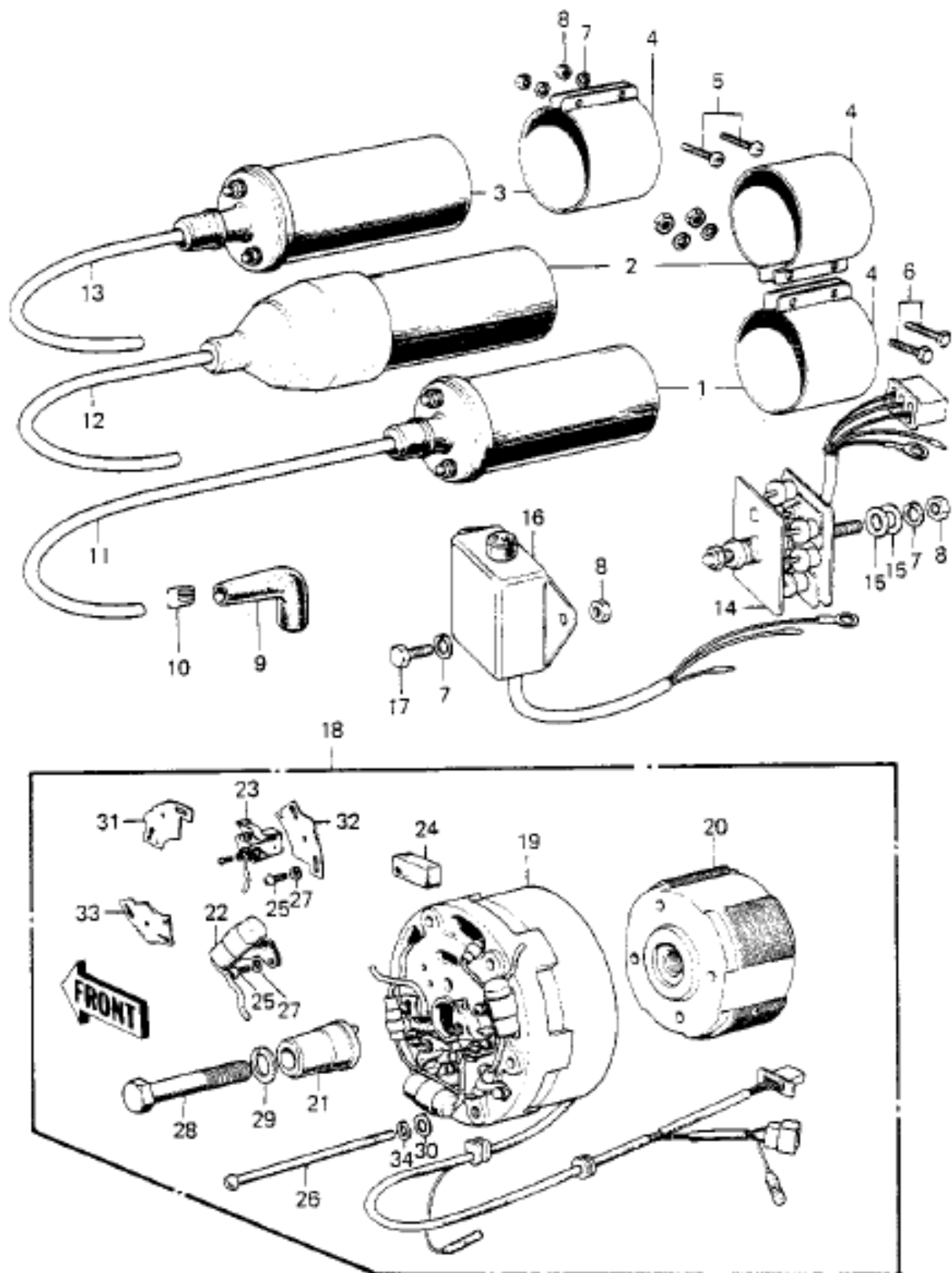
Part#	Ref#	Photo	Description	Qty	Model	Euro
23019-021	1		SCREW FOCUS ADJUST	1	S2	
23006-025	2		RIM-HEAD LAMP	1	S2	
23014-005	3		SPRING FOCUS ADJUST	1	S2	
23021-004	4		WASHER	1	S2	
23020-016	5		NUT	1	S2	
23007-030	6		SEALED BEAM UNIT 12V-35W/25W	1	S2	
23019-018	7		SCREW LENS UNIT FITT	2	S2	
23020-009	8		NUT LENS UNIT FITTING	2	S2	
23022-001	9		PIN LENS UNIT FITTING	2	S2	
92011-024	10		SCREW PAN HEAD 5MM	2	S2	
461F0500	11		WASHER SPRING 5MM	2	S2	
23021-010	12		WASHER	2	S2	
23005-032-10	13		BODY-HEAD LAMP	1	S2	
92069-017	14		BULB 12V 1.5W	1	S2	
23016-006	15		LAMP ASSY-PILOT	1	S2	
92007-024	16		BOLT 10MM	2	S2	
411B1000	17		WASHER-PLAIN 10MM	2	S2	
461F1000	18		WASHER SPRING 10MM	2	S2	
92075-079	19		DAMPER RUBBER-HEAD LAMP	2	S2	
23021-011	20		WASHER LOCK	2	S2	
23020-017	21		NUT	2	S2	
23003-014	22		LAMP UNIT-HEAD	1	S2	



(S2-A)

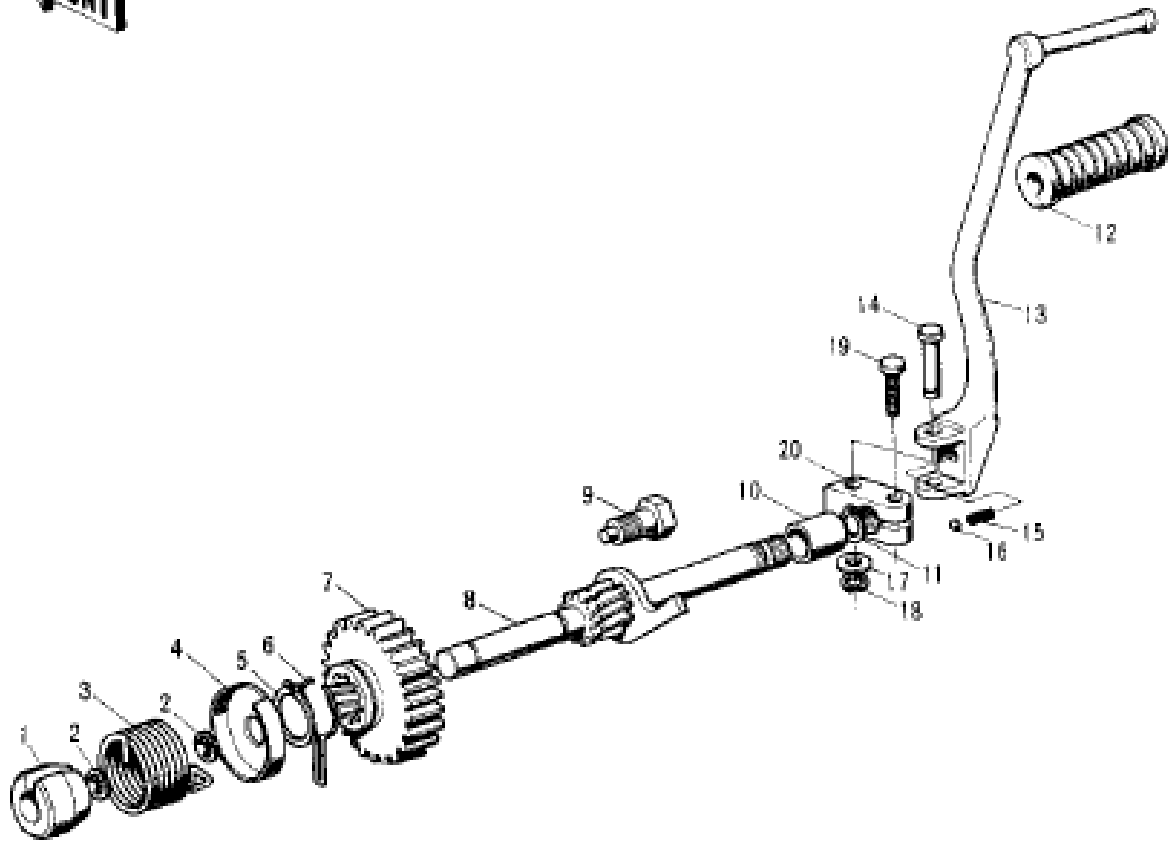
Illustrations (c) 1966–2002 Kawasaki
Motors Corp., U.S.A. All rights reserved.

Part#	Ref#	Photo	Description	Qty	Model	Euro
23003-018	1		LAMP UNIT-HEAD	1	S2A	
23004-043	1		LAMP UNIT-HEAD - GERMAN	1	S2A	x
23004-044	1		LAMP UNIT-HEAD - FRENCH	1	S2A	x
23019-021	2		SCREW FOCUS ADJUST	1	S2A	
23014-005	3		SPRING FOCUS ADJUST	1	S2A	
23006-034	4		RIM-HEAD LAMP	1	S2A	
23006-036	4		RIM-HEAD LAMP EURO	1	S2A	x
23007-043	5		SEALED BEAM UNIT	1	S2A	
23019-023	6		SCREW PAN HEAD 5X12	2	S2A	
23021-012	7		WASHER-PLAIN 5MM	2	S2A	
23020-020	8		NUT 5MM	2	S2A	
23021-004	9		WASHER	1	S2A	
23020-018	10		NUT 4MM	1	S2A	
220B0306	11		SCREW PAN HEAD 3X6	1	S2A	
461F0300	12		WASHER SPRING 3MM	1	S2A	
311B0300A	13		NUT 3MM	1	S2A	
23019-022	14		SCREW PAN HEAD 5X14	2	S2A	
23005-038-21	15		BODY-HEAD LAMP-BLACK	1	S2A	
23066-005	16		DAMPER RUBBER	2	S2A	
23066-001	17		DAMPER RUBBER A	2	S2A	
23076-001	18		COLLAR SET	2	S2A	
23007-042			LENS UNIT HEAD LAMP - GERMAN	1	S2A	x
23007-047			LENS UNIT HEAD LAMP - FRENCH	1	S2A	x
23008-034			SOCKET HEAD LAMP - FRENCH	1	S2A	x
23008-035			SOCKET HEAD LAMP - GERMAN	1	S2A	x
23008-036			SOCKET PARK LAMP - GERMAN	1	S2A	x
23009-013			CLAMP-HEAD LAMP	4	S2A	x
92069-069			BULB-12V 35/35W - GERMAN	1	S2A	x
92069-070			BULB-12V 36/36W - FRENCH	1	S2A	x
92069-071			BULB-12V 4W - GERMAN	1	S2A	x
92069-072			BULB-12V 4W - FRENCH	1	S2A	x



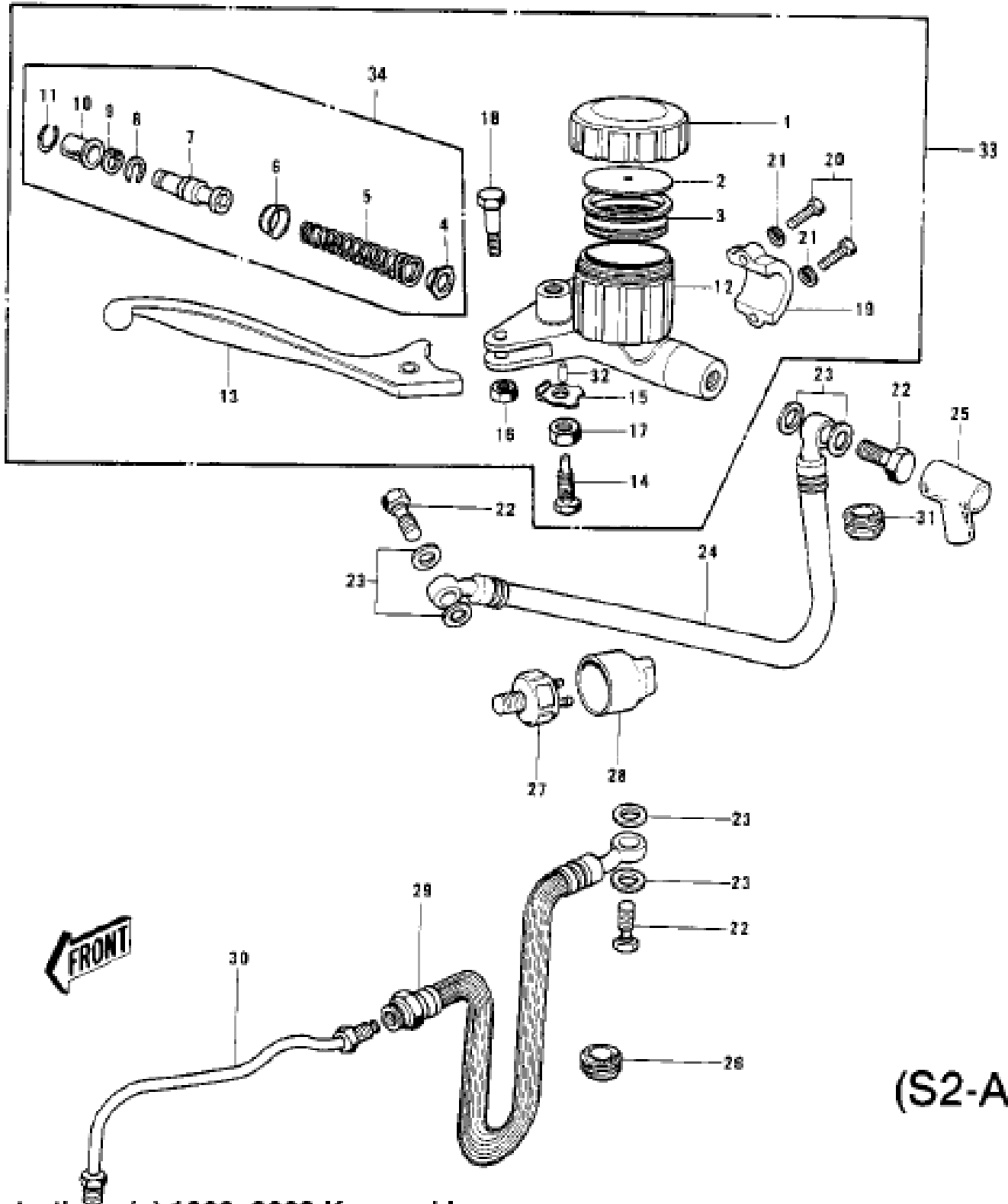
Illustrations (c) 1966–2002 Kawasaki
Motors Corp., U.S.A. All rights reserved.

Part#	Ref#	Photo	Description	Qty	Model	Euro
21121-051	1		COIL-IGNITION L.H	1	S2/A	
21121-052	2		COIL-IGNITION CENTER	1	S2/A	
21121-053	3		COIL-IGNITION R.H	1	S2/A	
21126-004	4		BAND-IGNITION COIL	1	S2/A	
220B0640	5		SCREW PAN HEAD 6X40	2	S2/A	
110B0616	6		BOLT-HEX HEAD 6X16	2	S2/A	
116B0616	6		BOLT-HEX HEAD 6X16 - ALT	2	S2/A	
461F0600	7		WASHER SPRING 6MM	7	S2/A	
310B0600	8		NUT 6MM	7	S2/A	
21130-009	9		CAP SPARK PLUG	3	S2/A	
21130-013	9		CAP SPARK PLUG EURO	3	S2/A	x
92101-001	10		SPRING-SPARK PLUG CAP	3	S2/A	
21133-020	11		CORD-HIGH TENSION L.H	1	S2/A	
21133-021	12		CORD-HIGH TENSION CNT L=106 MM	1	S2/A	
21133-022	13		CORD-HIGH TENSION R.H	1	S2/A	
21061-011	14		RECTIFIER	1	S2/A	
411B0600	15		WASHER-PLAIN 6MM	4	S2/A	
21066-012	16		REGULATOR VOLTAGE - USE 21066-020	1	S2/A	
21066-020	16		REGULATOR VOLTAGE - ALT	1	S2/A	
110B0612	17		BOLT-HEX HEAD 6X12	1	S2/A	
116B0612	17		BOLT-HEX HEAD 6X12 - ALT	1	S2/A	
21001-019	18		ALTERNATOR - TO #11110	1	S2	
21001-022	18		ALTERNATOR - #11111 & LATER	1	S2/A	
21003-015	19		STATOR ASSY - TO #11110	1	S2	
21003-016	19		STATOR ASSY - #11111 & LATER	1	S2/A	
21007-020	20		ROTOR	1	S2/A	
21014-008	21		CAM	1	S2/A	
21013-026	22		CONDENSER	3	S2/A	
21008-019	23		BREAKER-CONTACT	3	S2/A	
21019-011	24		FELT-OIL	2	S2/A	
220B0408A	25		SCREW PAN HEAD 4X8	12	S2/A	
21023-009	26		SCREW PAN HEAD 5X80 - TO #11110	2	S2	
220B0555A	26		SCREW PAN HEAD 5X55 - #11111 & LATER	3	S2/A	
461F0400	27		WASHER SPRING 4MM	12	S2/A	
114B0870	28		BOLT-HEX HEAD 8X70	1	S2/A	
461F0800	29		WASHER SPRING 8MM	1	S2/A	
411B0500	30		WASHER-PLAIN 5MM	2	S2/A	
21156-003	31		PLATE-CNTCT BRKER L.H "L" MARK GREEN	1	S2/A	
21156-004	32		PLATE-CNTCT BRKER CEN "C" MARK BLACK	1	S2/A	
21156-005	33		PLATE-CNTCT BRKER R.H "R" MARK BLUE L	1	S2/A	
461F0500	34		WASHER SPRING 5MM	2	S2/A	
56019-106	35		ROTOR PULLER	AR	S2/A	



1
1
1
1
1
1
1
1
1
1
2

Part#	Ref#	Photo	Description	Qty	Model	Euro
13070-001	1		GUIDE KICK SPRING	1	S2/A	
482J0100	2		CIRCLIP 10MM	1	S2/A	
92081-021	3		SPRING KICKSTARTER	1	S2/A	
13071-003	4		PLATE KICK GEAR HLDER	1	S2/A	
480J2600	5		CIRCLIP 26MM	1	S2/A	
13077-002	6		HOLDER KICK GEAR	1	S2/A	
13068-024	7		GEAR-KICKSTARTER	1	S2/A	
13066-013	8		SHAFT-KICKSTARTER	1	S2/A	
13245-003	8		SHAFT-KICKSTARTER - ALT	1	S2/A	
13072-006	9		STOPPER-KICKSTARTER	1	S2/A	
92028-072	10		BUSHING	1	S2/A	
480J1600	11		CIRCLIP 16MM	1	S2/A	
13063-004	12		RUBBER KICK PEDAL	1	S2/A	
13058-038	13		PEDAL-KICKSTARTER	1	S2/A	
92043-068	14		PIN-KICKSTARTER	1	S2/A	
92081-020	15		SPRING KICK PEDAL	1	S2/A	
600A0800	16		BALL STEEL 1/4"	1	S2/A	
410B1000	17		WASHER-PLAIN 10MM	1	S2/A	
482J8000	18		CIRCLIP 8MM	1	S2/A	
92001-101	19		BOLT-KICK PEDAL- HEX HEAD 10X25	1	S2/A	
13061-015	20		BOSS-KICK PEDAL	1	S2/A	

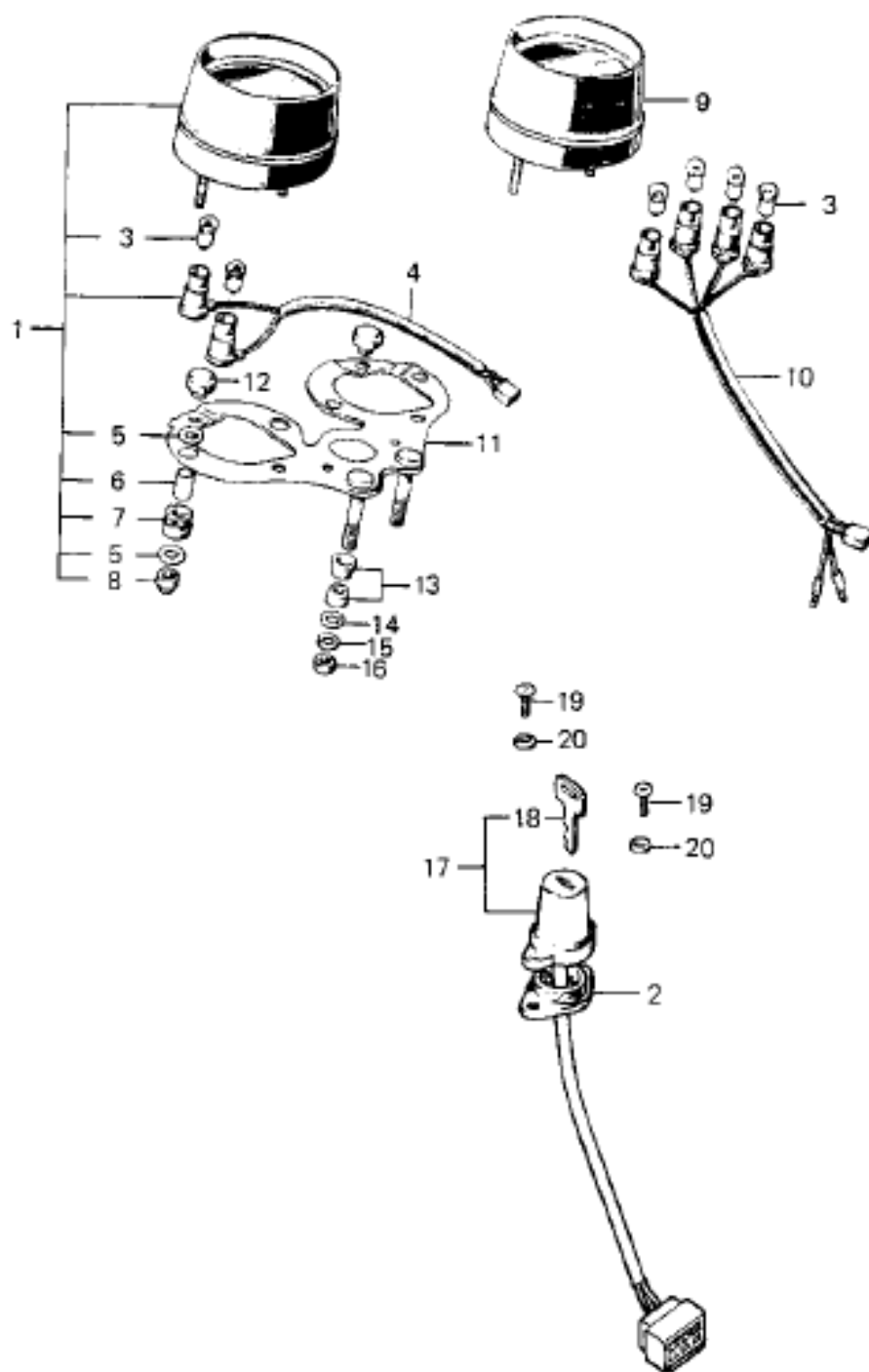


(S2-A)

Illustrations (c) 1966-2002 Kawasaki Motors Corp., U.S.A. All rights reserved.

Part#	Ref#	Photo	Description	Qty	Model	Euro
43026-001	1		CAP-OIL CUP	1	S2A	
43027-001	2		PLATE-MASTER CYLINDER	1	S2A	
43028-001	3		DIAPHRAGM	1	S2A	
43017-001	4		VALVE ASSY-CHECK	1	S2A	
43018-001	5		SPRING ASSY-RETURN	1	S2A	
43019-001	6		CUP-PRIMARY	1	S2A	
43072-001	7		PISTON ASSY	1	S2A	
43022-001	8		STOPPER-PISTON	1	S2A	
481J1800	9		CIRCLIP 18MM	1	S2A	
43024-001	10		BOOTS-PISTON	1	S2A	
43025-001	11		STOPPER-BOOTS	1	S2A	
43016-001	12		BODY MASTER CYLINDER	1	S2A	
43029-001	13		LEVER-FRONT BRAKE	1	S2A	
43030-002	14		BOLT-LEVER ADJUSTING	1	S2A	
43031-001	15		WASHER LOCK 8MM	1	S2A	
312N0600	16		NUT 6MM	1	S2A	
313N0800	17		NUT 8MM	1	S2A	
43033-001	18		BOLT-LEVER FITTING	1	S2A	
43034-001	19		HOLDER-MASTER CYL	1	S2A	
110N0625	20		BOLT-HEX HEAD 6X25	2	S2A	
410B0600	21		WASHER-PLAIN 6MM	2	S2A	
43066-001	22		BOLT-OIL	3	S2A	
43067-001	23		WASHER-OIL BOLT	6	S2A	
43059-006	24		HOSE-FRONT BRAKE M/CYL	1	S2A	
43069-002	25		BOOT-DUST	1	S2A	
43064-001	26		GROMMET-HOSE BRACKET ID=13.5	1	S2A	
43065-001	27		SWITCH-FRONT BRAKE	1	S2A	
92073-022	28		RUBBER CAP FRNT BRKE	1	S2A	
43059-008	29		HOSE-BRAKE CALIPER	1	S2A	
43060-003	30		PIPE-FRONT BRAKE BRIDGE	1	S2A	
43064-005	31		DAMPER RUBBER-CYL HSE ID=15	1	S2A	
43074-001	32		TUBE	1	S2A	
43015-001	33		CYLINDER ASSY-MASTER	1	S2A	
43073-001	34		REPAIR SET-MASTER CYL	1	S2A	

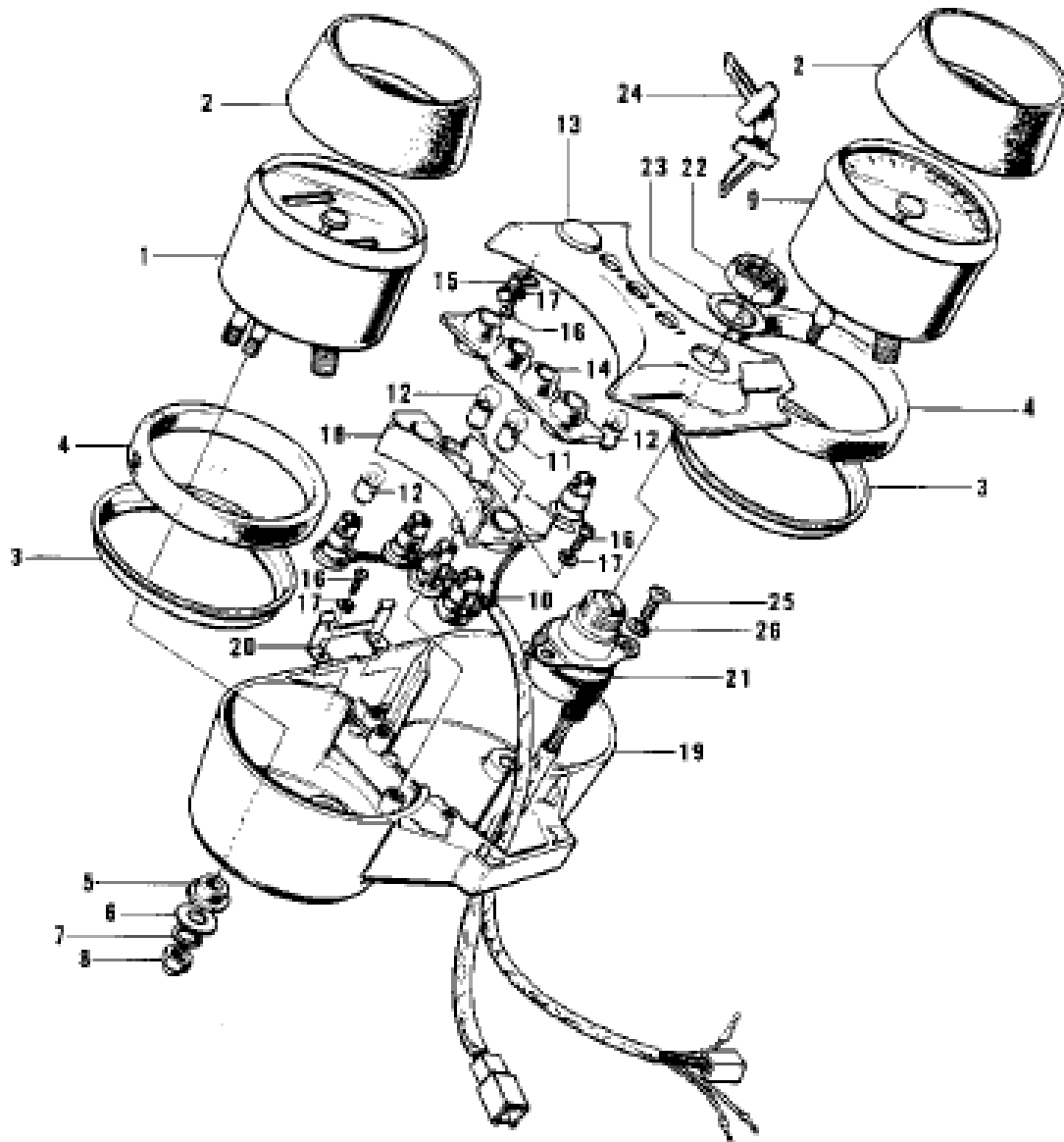
FRONT



(S2)

Part#	Ref#	Photo	Description	Qty	Model	Euro
25005-050	1		SPEEDOMETER ASSY MPH	1	S2	
92075-077	2		DAMPER RUBBER	1	S2	
92069-018	3		BULB 12V 3W	6	S2	
25011-020	4		SOCKET-SPEEDOMETER	1	S2	
92022-194	5		WASHER-PLAIN 6MM	8	S2	
92027-140	6		COLLAR-SPEEDOMETER FITT	4	S2	
92075-089	7		DAMPER RUBBER-MTR FIT	4	S2	
92015-009	8		NUT 6MM	4	S2	
25016-011	9		TACHOMETER ASSY	1	S2	
25011-021	10		SOCKET-TACHOMETER	1	S2	
25008-014	11		BRACKET-METER	1	S2	
92075-090	12		DAMPER RUBBER-MTR BKT	3	S2	
92075-080	13		DAMPER RUBBER-MTR BKT	4	S2	
411B0800	14		WASHER-PLAIN 8MM	2	S2	
461F0800	15		WASHER SPRING 8MM	2	S2	
310B0800	16		NUT 8MM	2	S2	
27005-036	17		SWITCH ASSY-IGNITION	1	S2	
27008-042-01	18		KEY SET #701	AR	S2	
27008-042-02	18		KEY SET #702	AR	S2	
27008-042-03	18		KEY SET #703	AR	S2	
27008-042-04	18		KEY SET #704	AR	S2	
27008-042-05	18		KEY SET #705	AR	S2	
27008-042-85	18		KEY SET #685	AR	S2	
27008-042-86	18		KEY SET #686	AR	S2	
27008-042-87	18		KEY SET #687	AR	S2	
27008-042-88	18		KEY SET #688	AR	S2	
27008-042-89	18		KEY SET #689	AR	S2	
92011-022	19		SCREW PAN HEAD 6MM	2	S2	
410B0800	20		WASHER-PLAIN 8MM	2	S2	

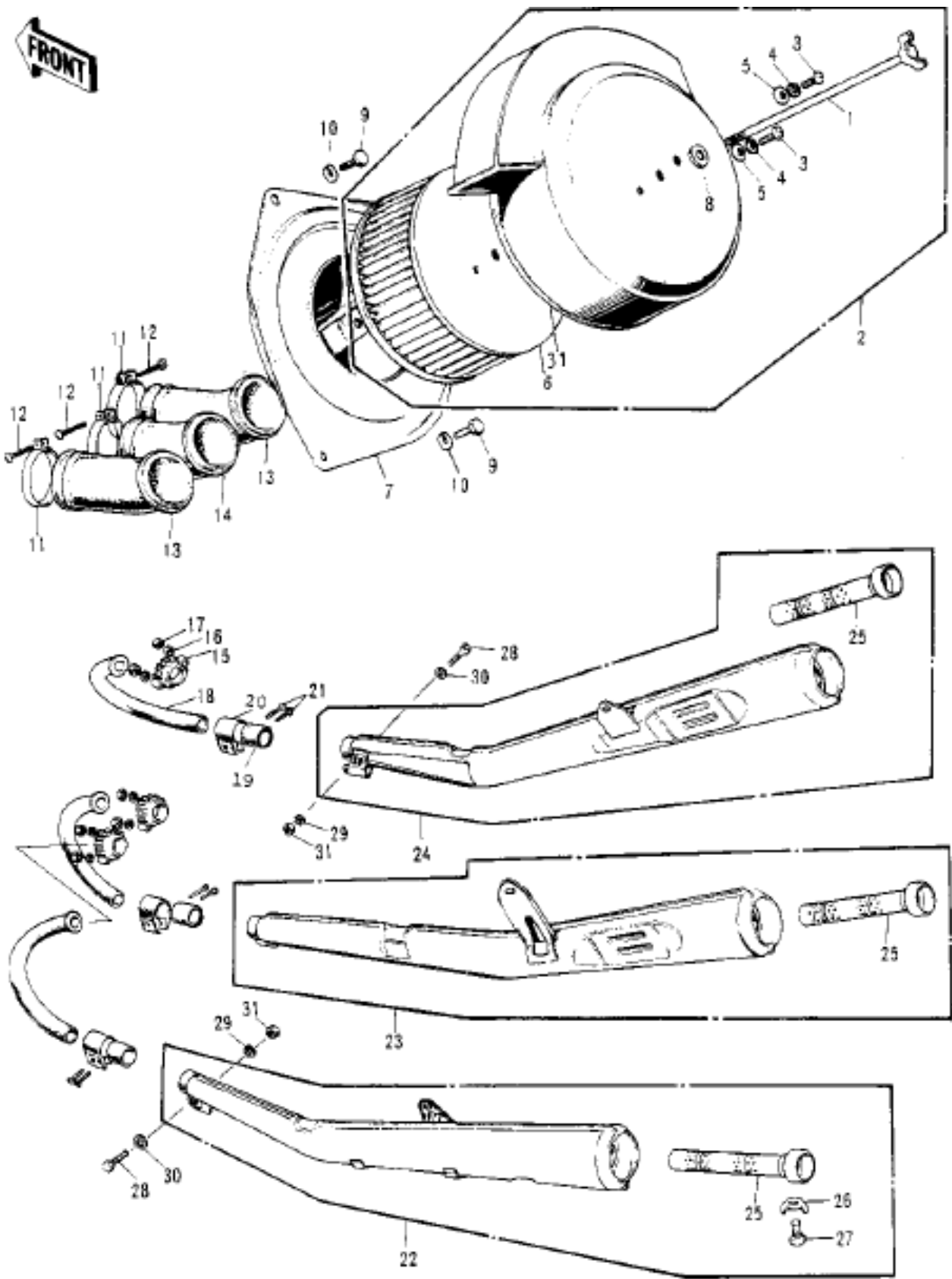
FRONT



(S2-A)

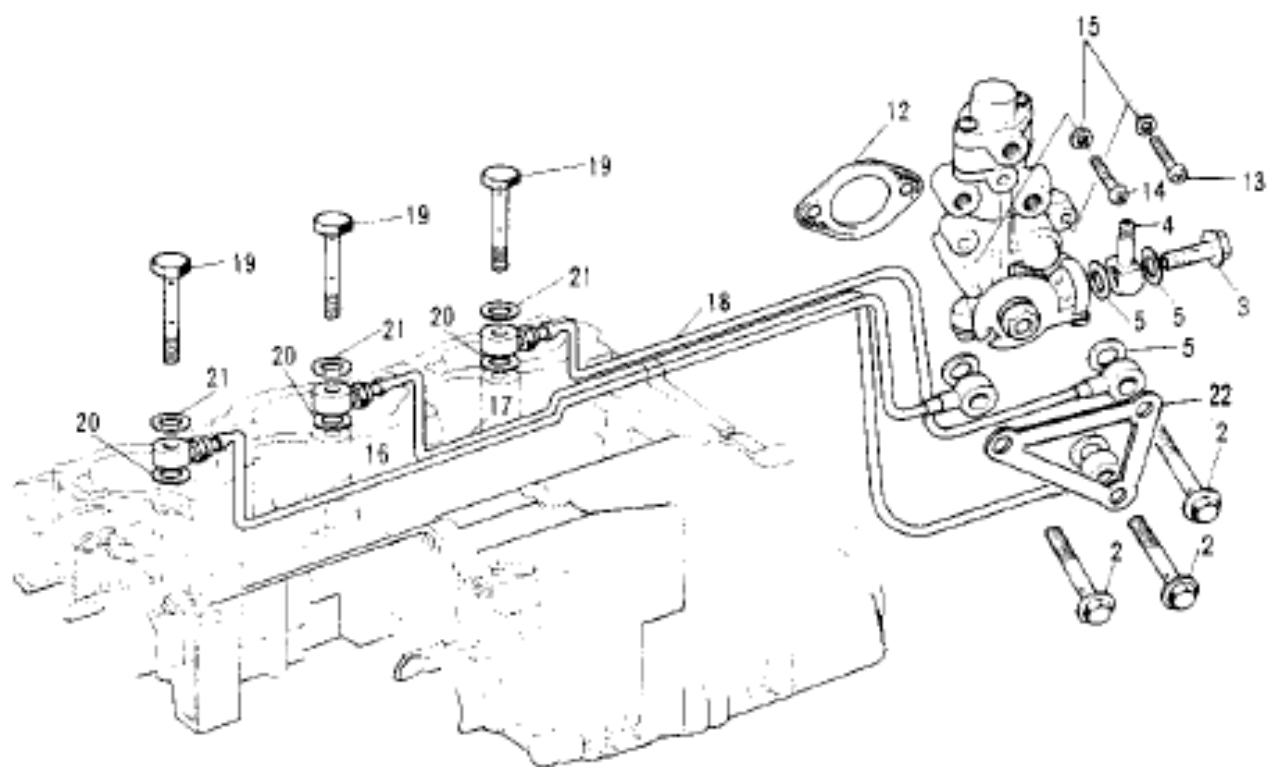
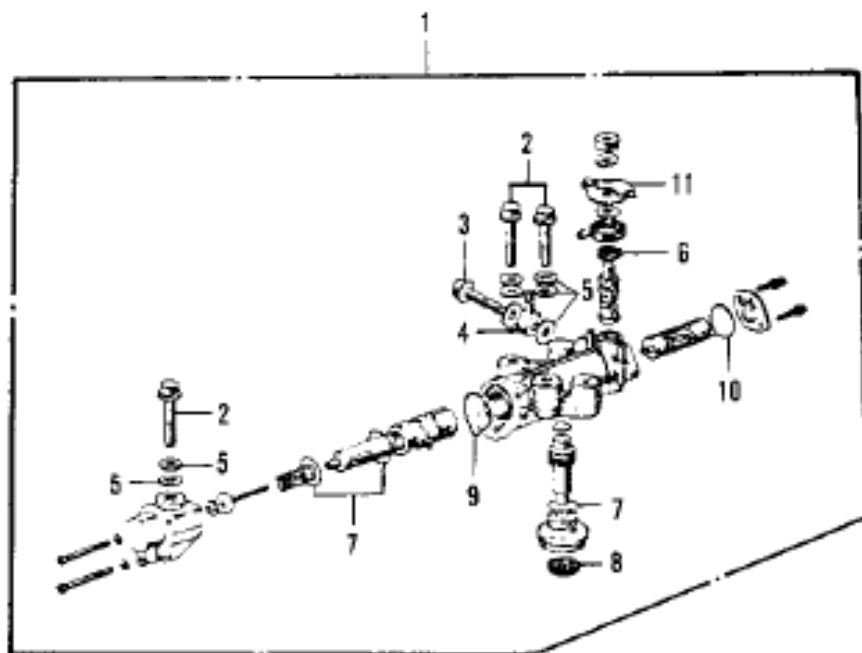
Part#	Ref#	Photo	Description	Qty	Model	Euro
25005-074	1		SPEEDOMETER ASSY MPH	1	S2A	
25005-076	1		SPEEDOMETER ASSY KPH	1	S2A	x
25012-012	2		COVER-METER	2	S2A	
25026-001	3		RING-METER	2	S2A	
25019-015	4		DAMPER RUBBER-METER	2	S2A	
25019-013	5		DAMPER RUBBER-METER	4	S2A	
411B0500	6		WASHER-PLAIN 5MM	4	S2A	
461E0500	7		WASHER SPRING 5MM	4	S2A	
92015-059	8		NUT 5MM	4	S2A	
25016-020	9		TACHOMETER ASSY	1	S2A	
25011-029	10		SOCKET-METER	1	S2A	
92069-017	11		BULB 12V 1.5W	1	S2A	
92069-018	12		BULB 12V 3W	5	S2A	
25023-002	13		COVER-METER CASE	1	S2A	
25019-014	14		DAMPER RUBBER-METER	1	S2A	
25014-004	15		HOLDER-METER CASE COV	2	S2A	
220B0408A	16		SCREW PAN HEAD 4X8	6	S2A	
461F0400	17		WASHER SPRING 4MM	6	S2A	
25023-003	18		COVER-METER SOCKET	1	S2A	
25008-026	19		CASE-METER	1	S2A	
25014-003	20		HOLDER-METER CASE	1	S2A	
27005-045	21		SWITCH ASSY-IGNITION	1	S2A	
27007-003	22		NUT-IGNITION SWITCH	1	S2A	
27019-002	23		WASHER-IGNITION	1	S2A	
27008-048-81	24		KEY SET #181	AR	S2A	
27008-048-82	24		KEY SET #182	AR	S2A	
27008-048-83	24		KEY SET #183	AR	S2A	
27008-048-84	24		KEY SET #184	AR	S2A	
27008-048-85	24		KEY SET #185	AR	S2A	
220B0508A	25		SCREW PAN HEAD 5X8	2	S2A	
461F0500	26		WASHER SPRING 5MM	2	S2A	
98125-047			METER SUB ASSY - MPH	1	S2A	

FRONT



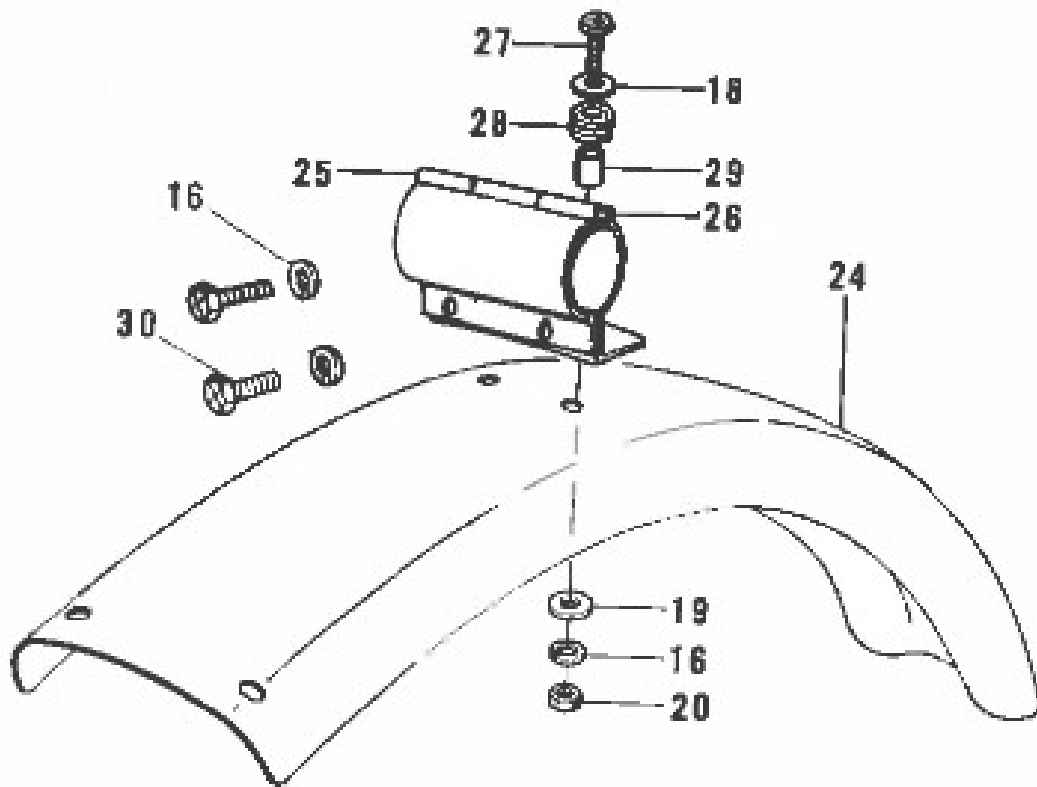
Illustrations (c) 1966-2002 Kawasaki
Motors Corp., U.S.A. All rights reserved.

Part#	Ref#	Photo	Description	Qty	Model	Euro
18069-038	15		HOLDER-EXHAUST PIPE	3	S2/A	
310B0800	17		NUT 8MM	6	S2/A	
18049-074	18		PIPE-EXHAUST	3	S2/A	
18043-008	19		CONNECTOR MUFFLER	3	S2/A	
18044-004-79	20		HOLDER MUFFLER CONECT	3	S2/A	
220B0628	21		SCREW PAN HEAD 6X28	6	S2/A	
18001-036	22		MUFFLER ASSY L.H.	1	S2/A	
18001-037	23		MUFFLER ASSY CENTER	1	S2/A	
18001-038	24		MUFFLER ASSY R.H.	1	S2/A	
18033-048	25		BAFFLE TUBE	3	S2/A	
92024-016	26		WASHER LOCK 6MM	3	S2/A	
110B0612	27		BOLT-HEX HEAD 6X12	3	S2/A	
116B0612	27		BOLT-HEX HEAD 6X12 - ALT	3	S2/A	
110B0820	28		BOLT-HEX HEAD 8X20	2	S2/A	
115G0820	28		BOLT-SMALL-UPSET 8X20 - ALT	2	S2/A	
116B0820	28		BOLT-HEX HEAD 8X20 - ALT	2	S2/A	
461F0800	29		WASHER SPRING 8MM	8	S2/A	
411B0800	30		WASHER-PLAIN 8MM	2	S2/A	

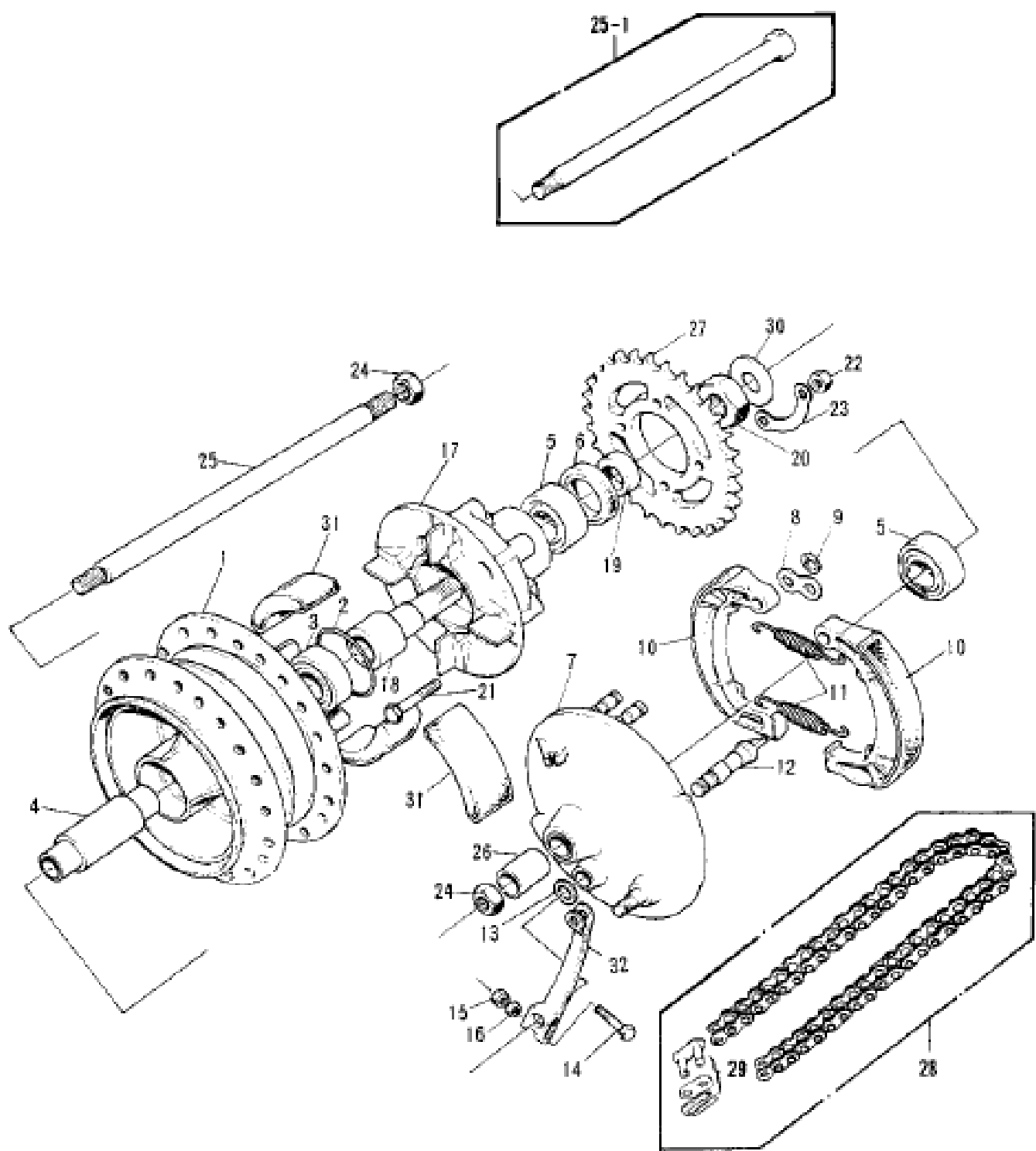


Illustrations (c) 1966-2002 Kawasaki
Motors Corp., U.S.A. All rights reserved.

Part#	Ref#	Photo	Description	Qty	Model	Euro
16082-030	1		OIL PUMP ASSY - ID S2 -to S2E16292	1	S2	
16082-041	1		OIL PUMP ASSY - ID S2-2 -after S2E16292	1	S2/A	
92060-008	2		BOLT-BANJO L=17.5MM	3	S2/A	
92060-009	3		BOLT-BANJO L=24MM	1	S2/A	
92061-015	4		CONNECTOR BANJO	1	S2/A	
92022-077	5		WASHER OIL PUMP BANJO	5	S2/A	
16089-001	6		"V" RING-OIL PUMP CAM SHAFT	1	S2/A	
16090-002	7		"0" RING OIL PUMP SHT	3	S2/A	
16091-001	8		OIL SEAL OIL PUMP SHT	1	S2/A	
16088-002	9		"0" RING UPPER CAP	1	S2/A	
16090-003	10		"0" RING LOWER CAP	1	S2/A	
16096-006	11		LEVER-OIL PUMP CABLE - USE 16096-011	1	S2/A	
16096-011	11		LEVER-OIL PUMP CABLE - ALT	1	S2/A	
16094-002	12		GASKET-OIL PUMP	1	S2/A	
220B0514A	13		SCREW-PAN-CROS 5X14	1	S2/A	
220B0528A	14		SCREW PAN CROS 5X28	1	S2/A	
92022-037	15		WASHER OIL PUMP	2	S2/A	
16134-012	16		PIPE-OIL LH	1	S2/A	
16134-013	17		PIPE-OIL CTR	1	S2/A	
16134-014	18		PIPE-OIL RH	1	S2/A	
92060-010-79	19		BOLT-BANJO CR	3	S2/A	
92065-023	20		GASKET-CHECK VALVE	3	S2/A	
92065-058	21		GASKET-CHECK VALVE	3	S2/A	
92022-058	22		GASKET-OIL PUMP	1	S2/A	



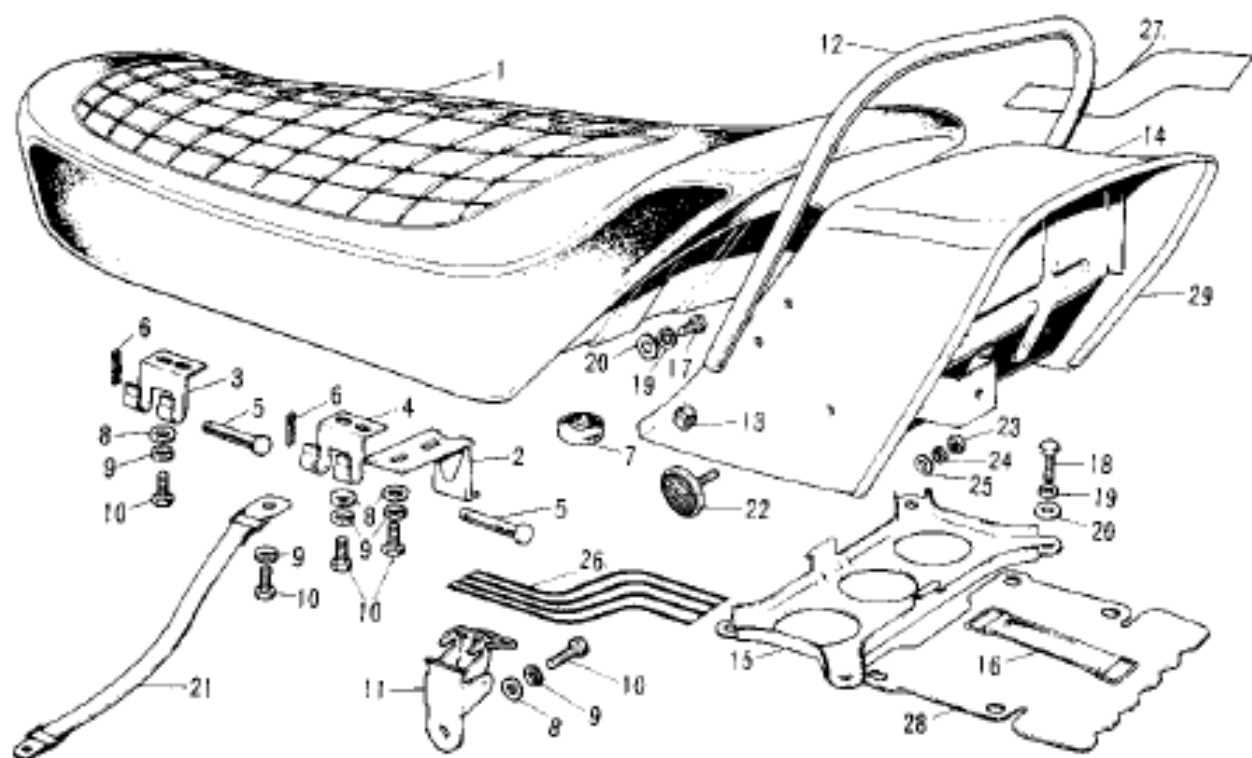
Part#	Ref#	Photo	Description	Qty	Model	Euro
461F0600	16		WASHER SPRING 6MM	4	S2/A	
92022-165	18		WASHER 6.5X16X2	2	S2/A	
411B0600	19		WASHER-PLAIN 6MM	2	S2/A	
310B0600	20		NUT 6MM	2	S2/A	
35022-062	24		FENDER-RR	1	S2/A	
35025-022	25		BRACKET-REAR FENDER	1	S2/A	
32111-003	26		PIN,OIL TANK	1	S2/A	
220E0612	27		SCREW PAN HEAD 6X12	2	S2/A	
92075-051	28		DAMPER RUBBER	2	S2/A	
92027-103	29		COLLAR	2	S2/A	
220E0618	30		SCREW PAN HEAD 6X18	2	S2/A	



Illustrations (c) 1966-2002 Kawasaki Motors Corp., U.S.A. All rights reserved.

Part#	Ref#	Photo	Description	Qty	Model	Euro
42005-009	1		DRUM ASSY-RR BRK	1	S2/A	
671B2560	2		"O" RING 60MM	1	S2/A	
601B6205	3		BEARING BALL #6205	2	S2/A	
42010-008	4		SPACER-RR HUB BEARING	1	S2/A	
601B6205Z	5		BEARING BALL #6205Z	1	S2/A	
92052-006	6		OIL SEAL WTC35527	1	S2/A	
42006-007-21	7		PANEL-ASY RR BRK F.B.	1	S2	
42006-007-80	7		PANEL-ASY-RR BRK BUFF	1	S2A	
41045-001	8		WASHER-BRAKE SHOE	1	S2/A	
480J1400	9		CIRCLIP 14MM	2	S2/A	
42019-003	10		SHOE-BRAKE	2	S2/A	
41049-003	11		SPRING-BRAKE SHOE	2	S2/A	
42026-004	12		CAM SHAFT REAR BRAKE	1	S2/A	
41051-001	13		DUST SHIELD-BRAKE CAM	1	S2/A	
110B0640	14		BOLT-HEX HEAD 6X40	1	S2/A	
116B0640	14		BOLT-HEX HEAD 6X40 - ALT	1	S2/A	
310B0600	15		NUT 6MM	1	S2/A	
410B0600	16		WASHER-PLAIN 6MM	1	S2/A	
42008-002	17		COUPLING ASSY-RR HUB - USE 42008-012	1	S2/A	
42008-012	17		COUPLING ASSY-RR HUB - ALT	1	S2/A	
42036-006	18		SLEEVE-REAR AXLE	1	S2/A	
42037-006	19		COLLAR-REAR AXLE SLEEVE	1	S2/A	
42045-006	20		NUT SLEEVE	1	S2/A	
92003-015	21		BOLT-REAR SPROCKET - USE 92003-087	4	S2/A	
92003-087	21		BOLT-REAR SPROCKET - ALT	4	S2/A	
313B1000	22		NUT 10MM	4	S2/A	
92088-005	23		WASHER SPROCKET LOCK	2	S2/A	
314B1600	24		NUT 16MM - 1 NOT REQD FOR 42031-033	2	S2/A	
42031-033	25		AXLE-REAR - ALT	1	S2/A	
42032-008	26		COLLAR-RH R HUB COLLAR	1	S2/A	
42041-102	27		REAR SPROCKET 43T	1	S2/A	
92057-014	28		CHAIN EK530SH	1	S2/A	
92058-008	29		CHAIN JOINT 530	1	S2/A	
42046-009	30		WASHER L.H SLEEVE	1	S2/A	
42014-008	31		DAMPER-REAR HUB SHOCK	4	S2/A	
42029-006	32		LEVER-REAR BRAKE CAM	1	S2/A	
42031-024	25-1		AXLE-REAR - USE 42031-033	1	S2/A	

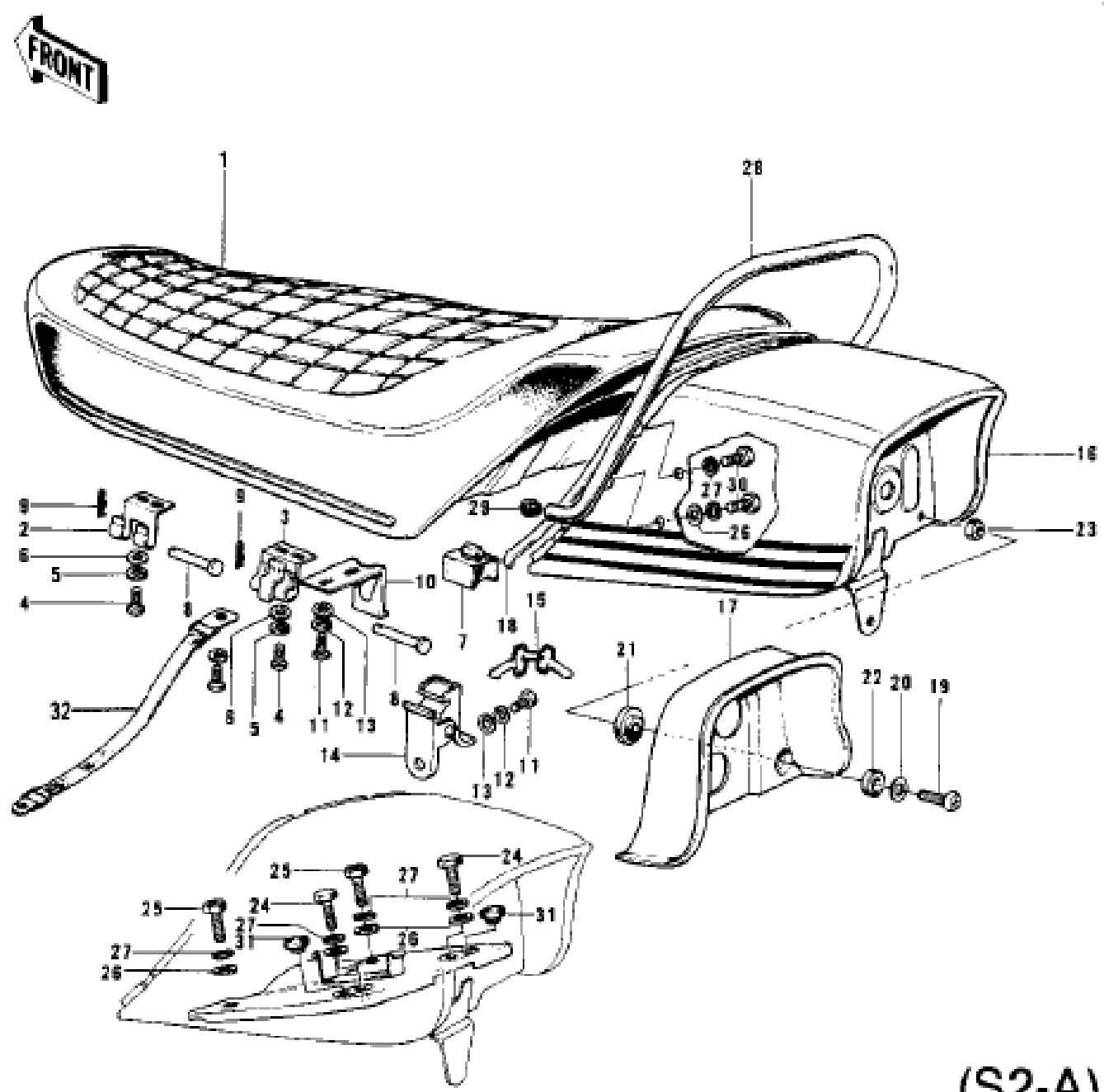
FRONT



(S2)

Illustrations (c) 1966-2002 Kawasaki
Motors Corp., U.S.A. All rights reserved.

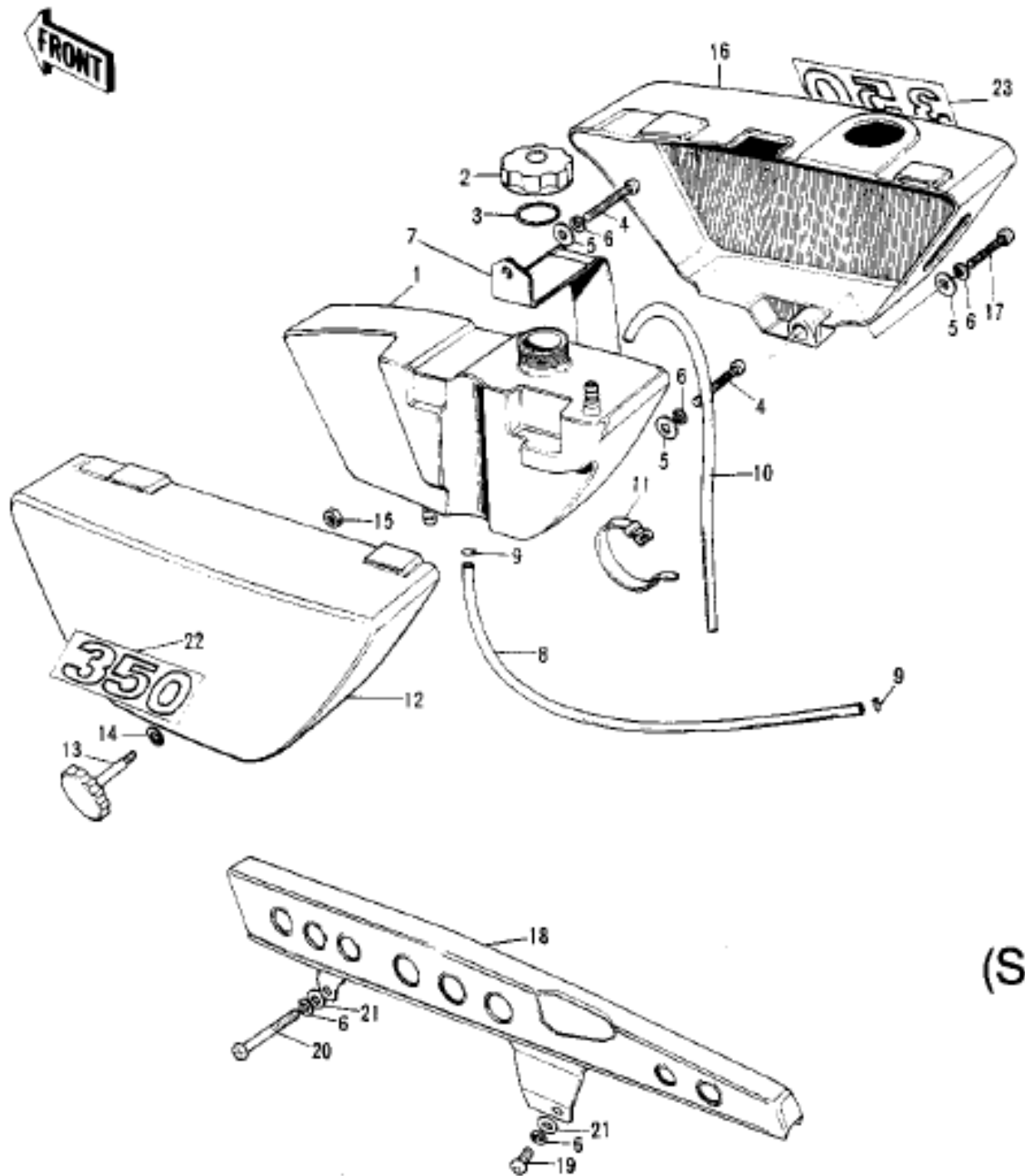
Part#	Ref#	Photo	Description	Qty	Model	Euro
53001-070	1		SEAT ASSY DUAL	1	S2	
53008-011	2		HOOK-SEAT	1	S2	
53009-017	3		HINGE-SEAT	1	S2	
53009-021	4		HINGE-SEAT	1	S2	
53011-002	5		PIN SEAT PIVOT	2	S2	
92041-003	6		PIN COTTER	2	S2	
92075-023	7		DAMPER RUBBER-SEAT	5	S2	
411B0600	8		WASHER-PLAIN 6MM	8	S2	
461F0600	9		WASHER SPRING 6MM	9	S2	
110B0614	10		BOLT-HEX HEAD 6X14	8	S2	
116B0614	10		BOLT-HEX HEAD 6X14 - ALT	8	S2	
53045-001	11		HOOK ASSY	1	S2	
53042-004	12		GRIP-SEAT	1	S2	
32112-004	13		PLUG-SEAT GRIP	2	S2	
53043-001-66	14		BACKREST P.C.WHITE - USE 53043-001-85	1	S2	
53043-001-68	14		BACKREST P.C.RED - USE 53043-001-84	1	S2	
53043-001-84	14		BACKREST P.C.RED - ALT	1	S2	
53043-001-85	14		BACKREST P.C.WHITE - ALT	1	S2	
32098-015	15		CASE-TOOL-F.BLACK	1	S2	
92072-012	16		BAND-TOOL	1	S2	
110B0812	17		BOLT-HEX HEAD 8X12	4	S2	
116B0812	17		BOLT-HEX HEAD 8X12 - ALT	4	S2	
110B0820	18		BOLT-HEX HEAD 8X20	4	S2	
116B0820	18		BOLT-HEX HEAD 8X20 - ALT	4	S2	
461F0800	19		WASHER SPRING 8MM	8	S2	
411B0800	20		WASHER-PLAIN 8MM	4	S2	
92072-027	21		BAND-SEAT STOPPER - USE 92072-038	1	S2	
92072-038	21		BAND-SEAT STOPPER - ALT	1	S2	
28001-009	22		REFLECTOR-REFLEX-REAR	2	S2	
311B0500A	23		NUT 5MM	2	S2	
461F0500	24		WASHER SPRING 5MM	2	S2	
411B0500	25		WASHER-PLAIN 5MM	2	S2	
56027-050	26		EMBLEM-LH BACKREST	1	S2	
56027-052	27		EMBLEM-RH BACKREST	1	S2	
53046-002	28		PLATE	1	S2	
53044-001	29		MOULDING-SEAT REST	1	S2	



(S2-A)

Part#	Ref#	Photo	Description	Qty	Model	Euro
53001-080	1		SEAT ASSY DUAL EURO	1	S2A	x
53009-017	2		HINGE-SEAT	1	S2A	
53009-021	3		HINGE-SEAT	1	S2A	
110B0614	4		BOLT-HEX HEAD 6X14	4	S2A	
116B0614	4		BOLT-HEX HEAD 6X14 - ALT	4	S2A	
461F0600	5		WASHER SPRING 6MM	4	S2A	
411B0600	6		WASHER-PLAIN 6MM	4	S2A	
92075-156	7		DAMPER RUBBER-SEAT	5	S2A	
53011-002	8		PIN SEAT PIVOT	2	S2A	
92041-003	9		PIN COTTER	2	S2A	
53008-011	10		HOOK-SEAT	1	S2A	
110B0614	11		BOLT-HEX HEAD 6X14	3	S2A	
461F0600	12		WASHER SPRING 6MM	3	S2A	
411B0600	13		WASHER-PLAIN 6MM	3	S2A	
53045-003	14		HOOK ASSY	1	S2A	
27018-016-65	15		KEY SET #265	AR	S2A	
27018-016-66	15		KEY SET #266	AR	S2A	
27018-016-67	15		KEY SET #267	AR	S2A	
27018-016-68	15		KEY SET #268	AR	S2A	
27018-016-69	15		KEY SET #269	AR	S2A	
27018-016-70	15		KEY SET #270	AR	S2A	
27018-016-71	15		KEY SET #271	AR	S2A	
27018-016-72	15		KEY SET #272	AR	S2A	
27018-016-73	15		KEY SET #273	AR	S2A	
27018-016-74	15		KEY SET #274	AR	S2A	
27018-016-75	15		KEY SET #275	AR	S2A	
27018-016-76	15		KEY SET #276	AR	S2A	
27018-016-77	15		KEY SET #277	AR	S2A	
27018-016-78	15		KEY SET #278	AR	S2A	
27018-016-79	15		KEY SET #279	AR	S2A	
53043-005-91	16		BACKREST C.ORG	1	S2A	
53043-005-93	16		BACKREST C.BLUE	1	S2A	
53057-001	17		COVER-BACKREST	1	S2A	
53044-003	18		MOLE-FRONT	1	S2A	
92011-030	19		SCREW PAN HEAD 6X30	4	S2A	
92022-240	20		WASHER-PLAIN 7MM	4	S2A	
92075-169	21		DAMPER RUBBER-BACK REST	4	S2A	
92075-168	22		DAMPER RUBBER-BACK REST	4	S2A	
311B0600	23		NUT 6MM	4	S2A	
110B0816	24		BOLT-HEX HEAD 8X16	2	S2A	
92001-122	25		BOLT-HEX HEAD 8X16	2	S2A	
411B0800	26		WASHER-PLAIN 8MM	6	S2A	
461F0800	27		WASHER SPRING 8MM	8	S2A	
53042-005	28		GRIP-SEAT	1	S2A	
32112-005	29		PLUG-SEAT GRIP	2	S2A	
110B0812	30		BOLT-HEX HEAD 8X12	4	S2A	

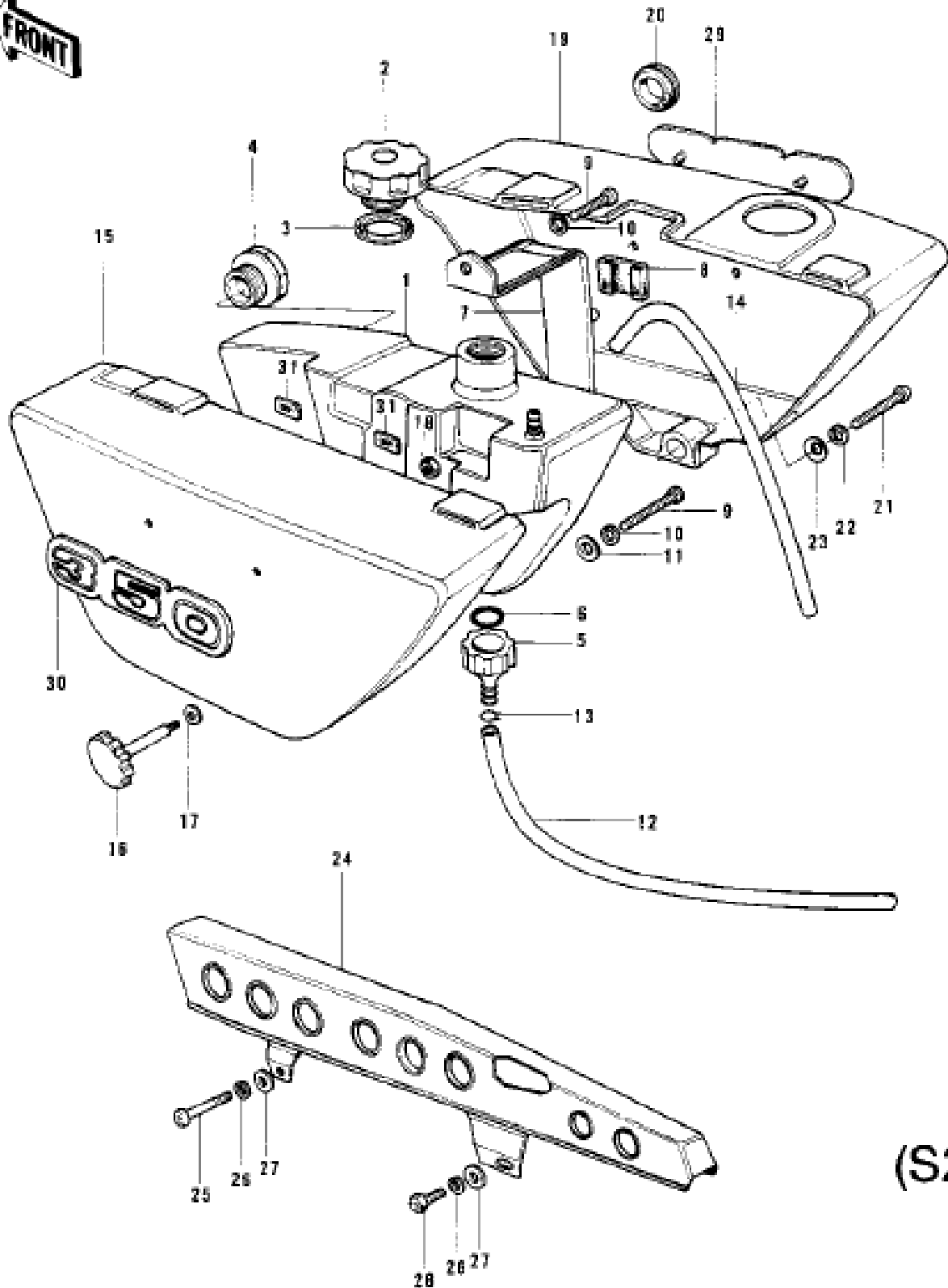
92068-007	31	PLUG	2	S2A
92072-038	32	BAND-SEAT STOPPER	1	S2A
56027-125		DECAL-BACKREST STRIPE LH RED	AR	S2A
56027-126		DECAL-BACKREST STRIPE RH RED	AR	S2A
56027-135		DECAL-BACKREST STRIPE LH PUR	AR	S2A
56027-136		DECAL-BACKREST STRIPE RH PUR	AR	S2A



Illustrations (c) 1966–2002 Kawasaki
Motors Corp., U.S.A. All rights reserved.

Part#	Ref#	Photo	Description	Qty	Model	Euro
52001-025	1		TANK-OIL	1	S2	
52003-015	2		CAP-OIL TANK	1	S2	
92065-020	3		GASKET-OIL TANK CAP	1	S2	
220B0612	4		SCREW PAN HEAD 6X12	2	S2	
411B0600	5		WASHER-PLAIN 6MM	3	S2	
461F0600	6		WASHER-SPRING 6MM	3	S2	
52018-002	7		BAND-OIL TANK	1	S2	
92059-072	8		PIPE-OIL TANK	1	S2	
92037-010	9		CLAMP-OIL LEVEL PIPE	2	S2	
700Q05600	10		TUBE-VINYL 5X600	1	S2	
92072-030	11		BAND-SHORT	2	S2	
36001-031-68	12		COVER L H SIDE PC RED - USE 36001-039-68	1	S2	
36001-039-68	12		COVER L H SIDE PC RED - SUPERCESSION	1	S2	
92077-020	13		KNOB SIDE COVER	1	S2	
92075-041	14		DAMPER RUBBER-SIDE COVER	1	S2	
312B0600	15		NUT 6MM	1	S2	
36007-026-68	16		COVER R.H SIDE PC RED	1	S2	
220E0635	17		SCREW PAN HEAD 6X35	1	S2	
36014-040-21	18		COVER-CHAIN FLAT BLK	1	S2	
220E0612	19		SCREW PAN HEAD 6X12	1	S2	
220E0655	20		SCREW PAN HEAD 6X55	1	S2	
92022-165	21		WASHER 6.5X16X2	2	S2	
56018-084	22		EMBLEM-LH SIDE COVER	1	S2	
56018-086	23		EMBLEM-RH SIDE COVER	1	S2	

FRONT

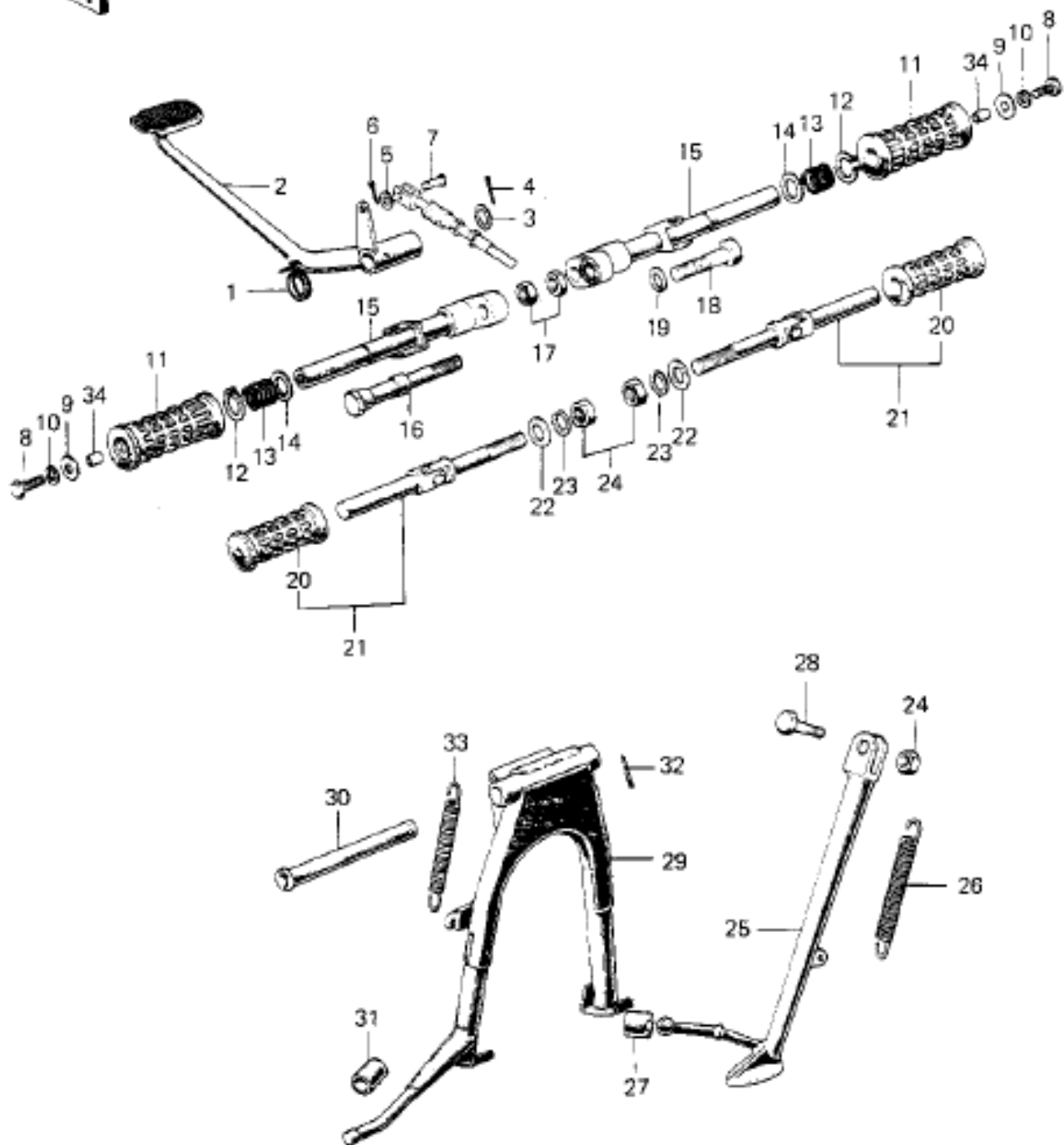


(S2-A)

Illustrations (c) 1966-2002 Kawasaki Motors Corp., U.S.A. All rights reserved.

Part#	Ref#	Photo	Description	Qty	Model	Euro
52001-033	1		TANK-OIL	1	S2A	
52003-020	2		CAP-OIL TANK	1	S2A	
92065-086	3		GASKET-OIL TANK CAP	1	S2A	
52015-005	4		GAUGE-OIL LEVEL	1	S2A	
52020-001	5		FILTER-OIL	1	S2A	
670B2015	6		"O" RING 15MM	1	S2A	
52018-002	7		BAND-OIL TANK	1	S2A	
31082-010	8		DAMPER RUBBER-OIL TANK BAND	2	S2A	
220B0614	9		SCREW PAN HEAD 6X14	2	S2A	
461F0600	10		WASHER SPRING 6MM	2	S2A	
411B0600	11		WASHER-PLAIN 6MM	1	S2A	
92059-072	12		PIPE-OIL TANK	1	S2A	
92037-010	13		CLAMP-OIL LEVEL PIPE	2	S2A	
700Q05600	14		TUBE-VINYL 5X600	1	S2A	
36001-039-91	15		COVER L H SIDE ORG	1	S2A	
36001-039-93	15		COVER L H SIDE C.BLUE	1	S2A	
92077-020	16		KNOB SIDE COVER	1	S2A	
92075-041	17		DAMPER RUBBER-SIDE COVER	1	S2A	
312B0600	18		NUT 6MM	1	S2A	
36007-031-91	19		COVER R.H SIDE ORG	1	S2A	
36007-031-93	19		COVER R.H SIDE C.BLUE	1	S2A	
92071-065	20		GROMMET-R.H SIDE COV	1	S2A	
220E0635	21		SCREW PAN HEAD 6X35	1	S2A	
461F0600	22		WASHER SPRING 6MM	1	S2A	
411D0600	23		WASHER-PLAIN 6MM	1	S2A	
36014-040-21	24		COVER-CHAIN FLAT BLK	1	S2A	
220E0655	25		SCREW PAN HEAD 6X55	1	S2A	
461F0600	26		WASHER SPRING 6MM	2	S2A	
92022-193	27		WASHER-PLAIN	2	S2A	
92001-121	28		BOLT-HEX HEAD 6X14	1	S2A	
56018-135	29		EMBLEM-RH SIDE COVER	1	S2A	
56018-136	30		EMBLEM-LH SIDE COVER	1	S2A	
92018-003	31		NUT LOCK	4	S2A	

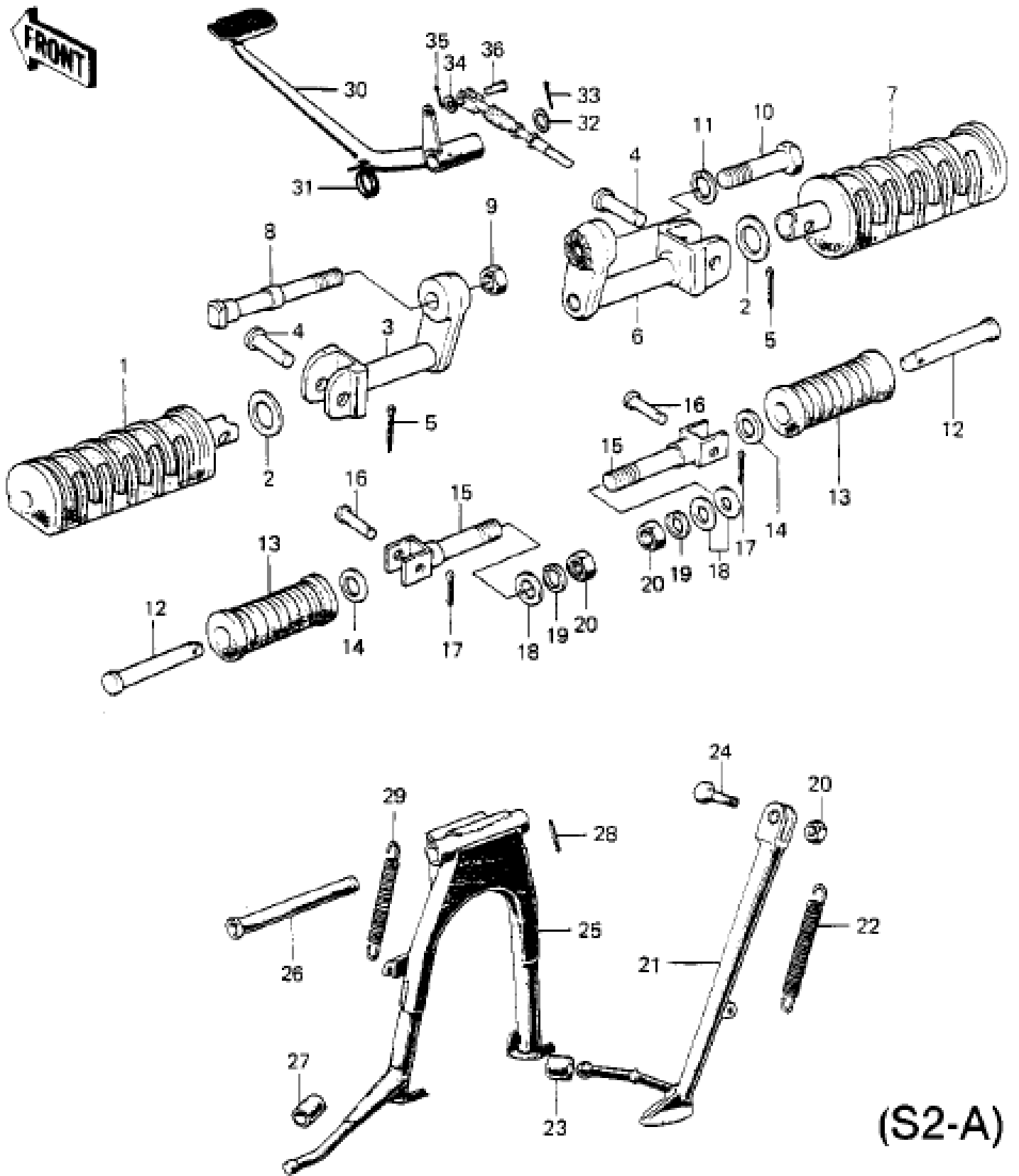
FRONT



(S2)

Part#	Ref#	Photo	Description	Qty	Model	Euro
43005-015	1		SPRING-BRAKE PEDAL	1	S2	
43005-033	1		SPRING-BRAKE PEDAL - ALT	1	S2	
43001-038	2		PEDAL-BRAKE	1	S2	
43001-060	2		PEDAL-BRAKE-ALT	1	S2	
92022-085	3		WASHER BRAKE PEDAL	1	S2	
550D3020	4		PIN COTTER 3.0X20	1	S2	
410B0600	5		WASHER-PLAIN 6MM	1	S2	
550D2015	6		PIN COTTER 2.0X15	1	S2	
92043-034	7		PIN R BRK CABLE JOINT	1	S2	
110B0618	8		BOLT-HEX HEAD 6X18	2	S2	
112G0618	8		BOLT-UPSET 6X18 - ALT	2	S2	
116B0618	8		BOLT-HEX HEAD 6X18 - ALT	2	S2	
92022-125	9		WASHER 6.5X20X1.6T	2	S2	
461F0600	10		WASHER SPRING 6MM	2	S2	
92076-019	11		RUBBER-FOOTREST	2	S2	
480J1600	12		CIRCLIP 16MM	2	S2	
34006-002	13		SPRING-FOOTREST PEG	2	S2	
92022-049	14		WASHER FOLDING PEG	2	S2	
34003-028	15		BAR-FOOTREST	2	S2	
92003-076	16		BOLT-L.H FOOTREST FIT	1	S2	
315B1200A	17		NUT-HEX-FINE 12MM	2	S2	
92001-1068	18		BOLT R.H.FOOTREST FIT - ALT	1	S2	
92007-025	18		BOLT-HEX HEAD 12X40	1	S2	
461F1200	19		WASHER SPRING 12MM	1	S2	
92076-008	20		RUBBER-REAR FOOTREST	2	S2	
34027-013	21		FOOTREST BAR REAR L=62 MM	2	S2	
34030-001	21		BAR SET-REAR FOOTREST INCL REF# 20	1	S2	
410B1000	22		WASHER-PLAIN 10MM	3	S2	
461F1000	23		WASHER SPRING 10MM	3	S2	
313B1000	24		NUT 10MM	3	S2	
314B1000	24		NUT 10MM - ALT	3	S2	
34024-031	25		STAND-SIDE	1	S2	
34023-005	26		SPRING-MAIN STAND	1	S2	
92075-031	27		DAMPER RUBBER SIDE STND	1	S2	
113B1035	28		BOLT-HEX HEAD 10X35	1	S2	
34011-028	29		STAND-MAIN	1	S2	
34019-011	30		SHAFT MAIN STAND	1	S2	
92075-029	31		DAMPER RUBBER-MAIN STND	1	S2	
92075-115	31		DAMPER RUBBER-MAIN STND - ALT	1	S2	
550D3025	32		PIN COTTER 3.0X25	1	S2	
34023-010	33		SPRING-MAIN STAND	1	S2	
92027-103	34		COLLAR-FOOTREST	2	S2	

FRONT

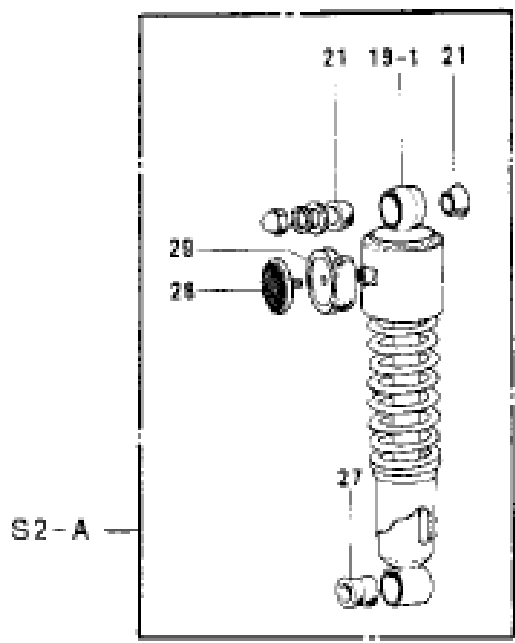
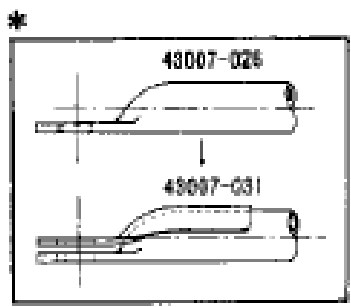
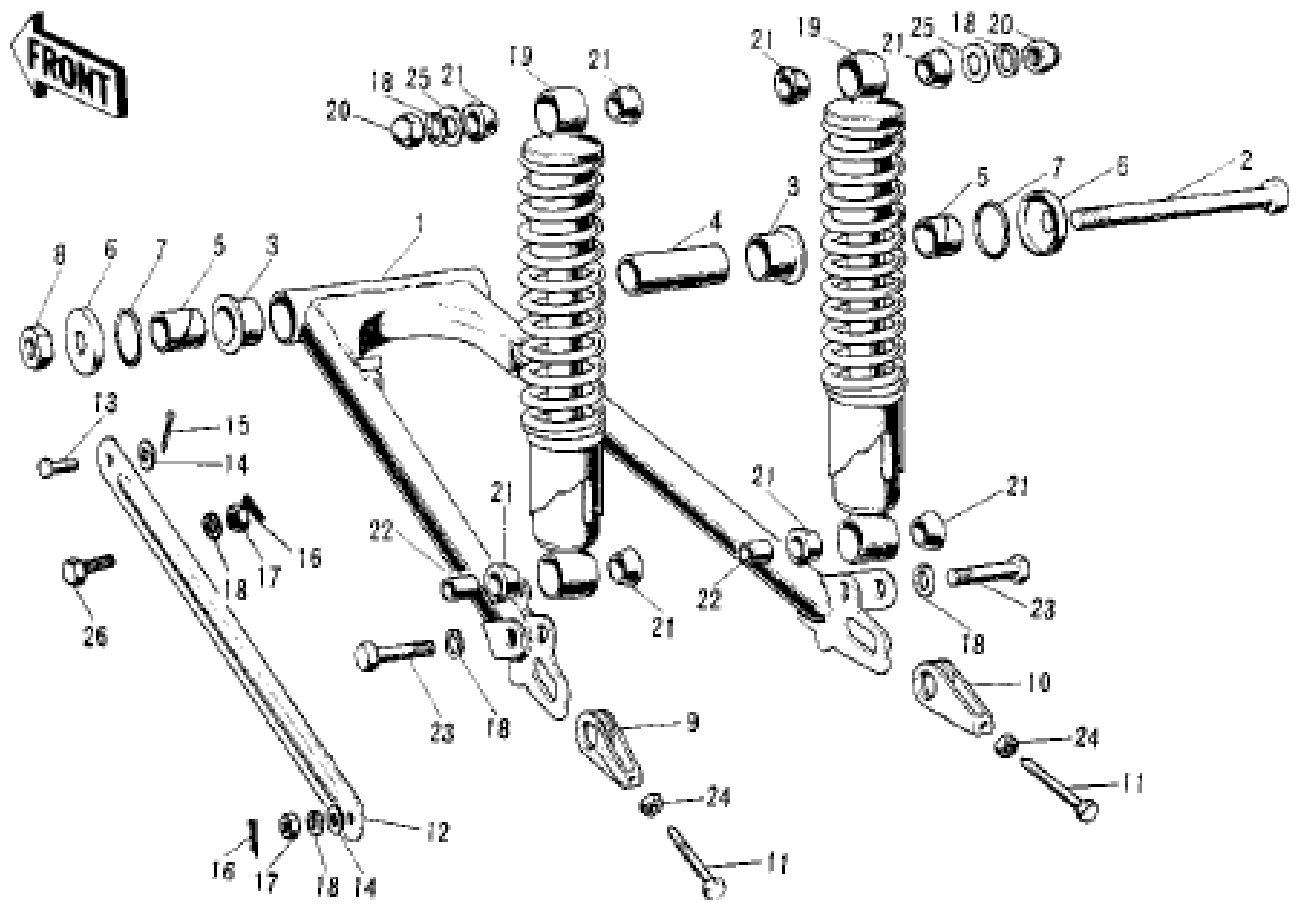


(S2-A)

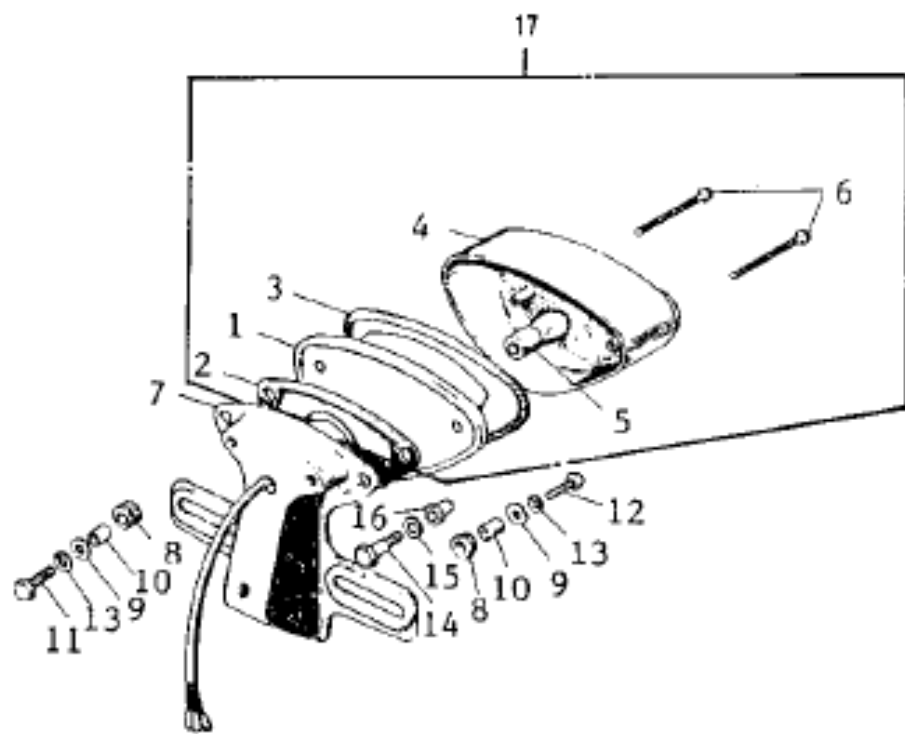
Part#	Ref#	Photo	Description	Qty	Model	Euro
34028-011	1		BAR-FOOTREST LH	1	S2A	
92022-204	2		WASHER-PL 22.5X36X2.3	2	S2A	
34003-033	3		BAR-FOOTREST LH,RH EURO	2	S2A	x
34003-040	3		HOLDER-FOOTREST BAR LH	1	S2A	
92043-080	4		PIN-FOOTREST BAR FIT	2	S2A	
550D2515	5		PIN COTTER 2.5X15	2	S2A	
34003-041	6		HOLDER-FOOTREST BAR RH	1	S2A	
34028-012	7		BAR-FOOTREST RH	1	S2A	
92076-015	7		RUBBER-FOOTREST LH,RH EURO	2	S2A	x
92003-076	8		BOLT-L.H FOOTREST FIT	1	S2A	
315B1200A	9		NUT-HEX-FINE 12MM	1	S2A	
92001-1068	10		BOLT R.H.FOOTREST FIT - ALT	1	S2A	
92007-025	10		BOLT-HEX HEAD 12X40 EURO	1	S2A	x
461F1200	11		WASHER SPRING 12MM	1	S2A	
34028-009	12		BAR-RR FOOTREST - ALT	2	S2A	
34028-010	12		BAR-RR FOOTREST	2	S2A	
92076-020	13		RUBBER-REAR FOOTREST	2	S2A	
92076-024	13		RUBBER-REAR FOOTREST - ALT	2	S2A	
92022-199	14		WASHER-PLAIN	2	S2A	
34029-008	15		BRACKET REAR FOOTREST	2	S2A	
92043-079	16		PIN-FOOTREST FIT	2	S2A	
92043-1464	16		PIN-FOOTREST FIT - ALT	2	S2A	
550D2012	17		PIN COTTER 2.0X12	2	S2A	
410B1000	18		WASHER-PLAIN 10MM	3	S2A	
461F1000	19		WASHER SPRING 10MM	2	S2A	
313B1000	20		NUT 10MM	3	S2A	
314B1000	20		NUT 10MM - ALT	3	S2A	
34024-031	21		STAND-SIDE	1	S2A	
34024-051	21		STAND-SIDE - ALT	1	S2A	
34023-005	22		SPRING-MAIN STAND	1	S2A	
92075-031	23		DAMPER RUBBER SIDE STND	1	S2A	
113B1035	24		BOLT-HEX HEAD 10X35	1	S2A	
92001-1252	24		BOLT-HEX HEAD 10X35 - ALT	1	S2A	
34011-028	25		STAND-MAIN	1	S2A	
34019-011	26		SHAFT MAIN STAND	1	S2A	
92075-029	27		DAMPER RUBBER-MAIN STND	1	S2A	
92075-115	27		DAMPER RUBBER-MAIN STND - ALT	1	S2A	
550D3025	28		PIN COTTER 3.0X25	1	S2A	
34023-010	29		SPRING-MAIN STAND	1	S2A	
43001-038	30		PEDAL-BRAKE	1	S2A	
43001-060	30		PEDAL-BRAKE-ALT	1	S2A	
43005-015	31		SPRING-BRAKE PEDAL	1	S2A	
43005-033	31		SPRING-BRAKE PEDAL - ALT	1	S2A	
92022-085	32		WASHER BRAKE PEDAL	1	S2A	
550D3020	33		PIN COTTER 3.0X20	1	S2A	
410B0600	34		WASHER-PLAIN 6MM	1	S2A	

550D2015	35	PIN COTTER 2.0X15	1	S2A
92043-034	36	PIN R BRK CABLE JOINT	1	S2A

FRONT



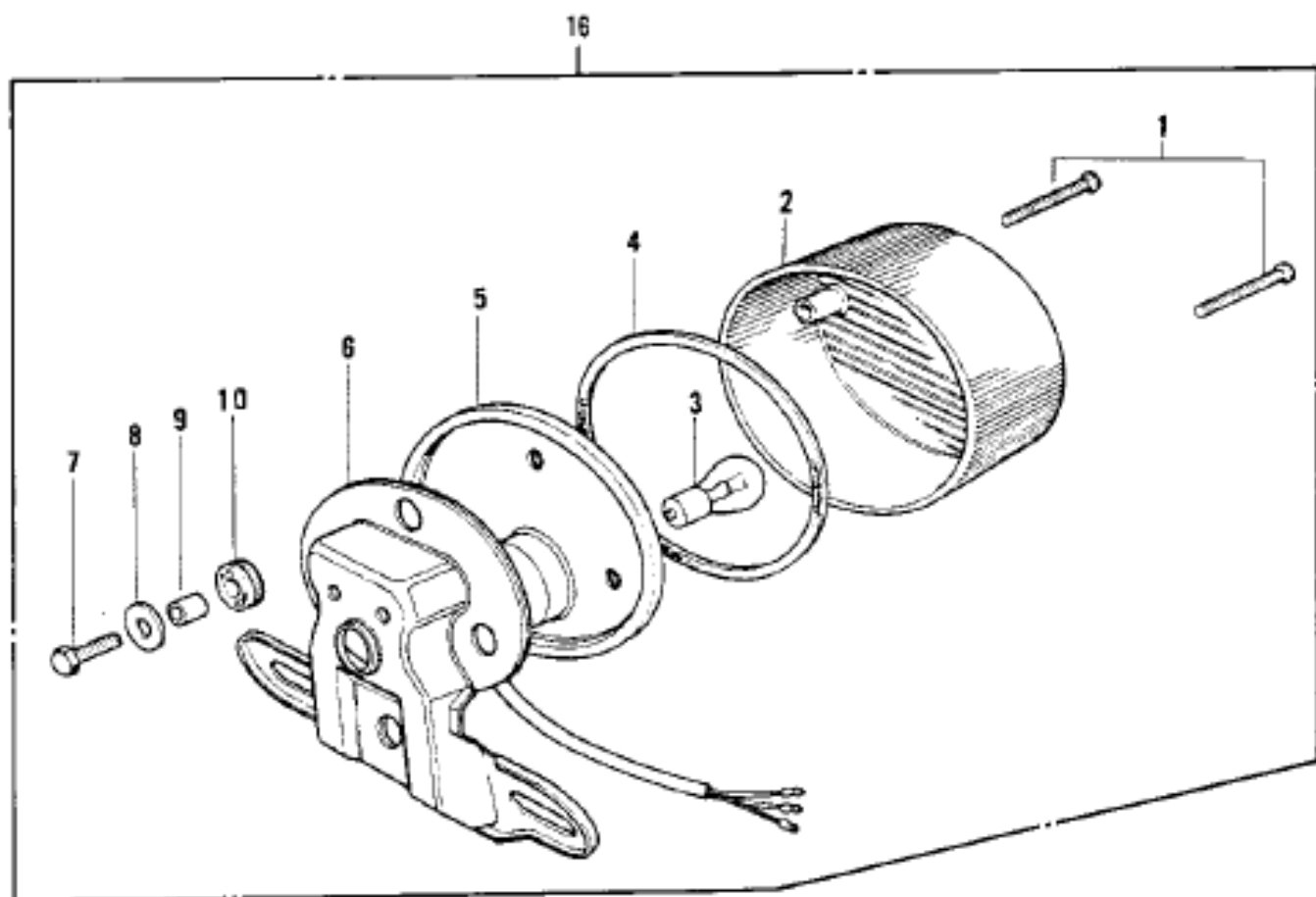
Part#	Ref#	Photo	Description	Qty	Model	Euro
33001-039	1		ARM-SWING	1	S2/A	
33032-032	2		SHAFT-SWING ARM PIVOT	1	S2	
33032-037	2		SHAFT-SWING ARM PIVOT	1	S2A	
33033-006	3		BUSHING-SWING ARM	2	S2	
33033-009	3		BUSHING-SWING ARM	2	S2A	
33034-012	4		SLEEVE-SWING ARM LONG	1	S2/A	
33034-013	5		SLEEVE-SWING ARM SHRT	2	S2/A	
33035-004	6		CAP-SWING ARM	2	S2/A	
671B2530	7		"O" RING 30MM	2	S2/A	
92019-011	8		NUT LOCK 14MM	1	S2/A	
33040-032	9		ADJUSTER-CHAIN L.H	1	S2/A	
33040-033	10		ADJUSTER-CHAIN R.H	1	S2/A	
92001-038	11		BOLT-CHN ADJUST	2	S2/A	
43007-026	12		TORQUE LINK-REAR BRK USE 43007-031	1	S2/A	
43007-031	12		TORQUE LINK-REAR BRK	1	S2/A	
43009-001	13		PIN REAR TORQUE LINK - NR FOR 43007-03	1	S2/A	
410B1000	14		WASHER-PLAIN 10MM	2	S2/A	
550D2520	15		PIN COTTER 2.5X20 NR FOR 43007-031	1	S2/A	
92041-005	16		PIN COTTER 2.5X20	2	S2/A	
313B1000	17		NUT 10MM	2	S2/A	
461F1000	18		WASHER SPRING 10MM	6	S2/A	
45014-062	19		SHOCK ABSBR RR	2	S2	
45014-062	19		SHOCK ABSBR RR EURO	2	S2A	x
92020-003	20		NUT SHOCK ABSORBER	2	S2/A	
45017-001	21		BUSHING-SHCK ABS RUB	8	S2/A	
45016-003	22		BUSHING-SHCK.ABS.PVT.SFT	2	S2/A	
113N1035	23		BOLT-HEX HEAD 10X35	2	S2/A	
312B0800	24		NUT 8MM	2	S2/A	
92022-044	25		WASHER-PL-10.5X26X2.3	2	S2/A	
92003-096	26		BOLT USE FOR 43007-031	1	S2/A	
45017-007	27		BUSHING-SHCK ABS RUB	2	S2A	
28001-020	28		REFLECTOR-REFLEX-REAR	2	S2A	
28016-002	29		DAMPER RUBBER-REFLEX	2	S2A	
45014-078	19-1		SHOCK ABSBR RR	2	S2A	



(S2)



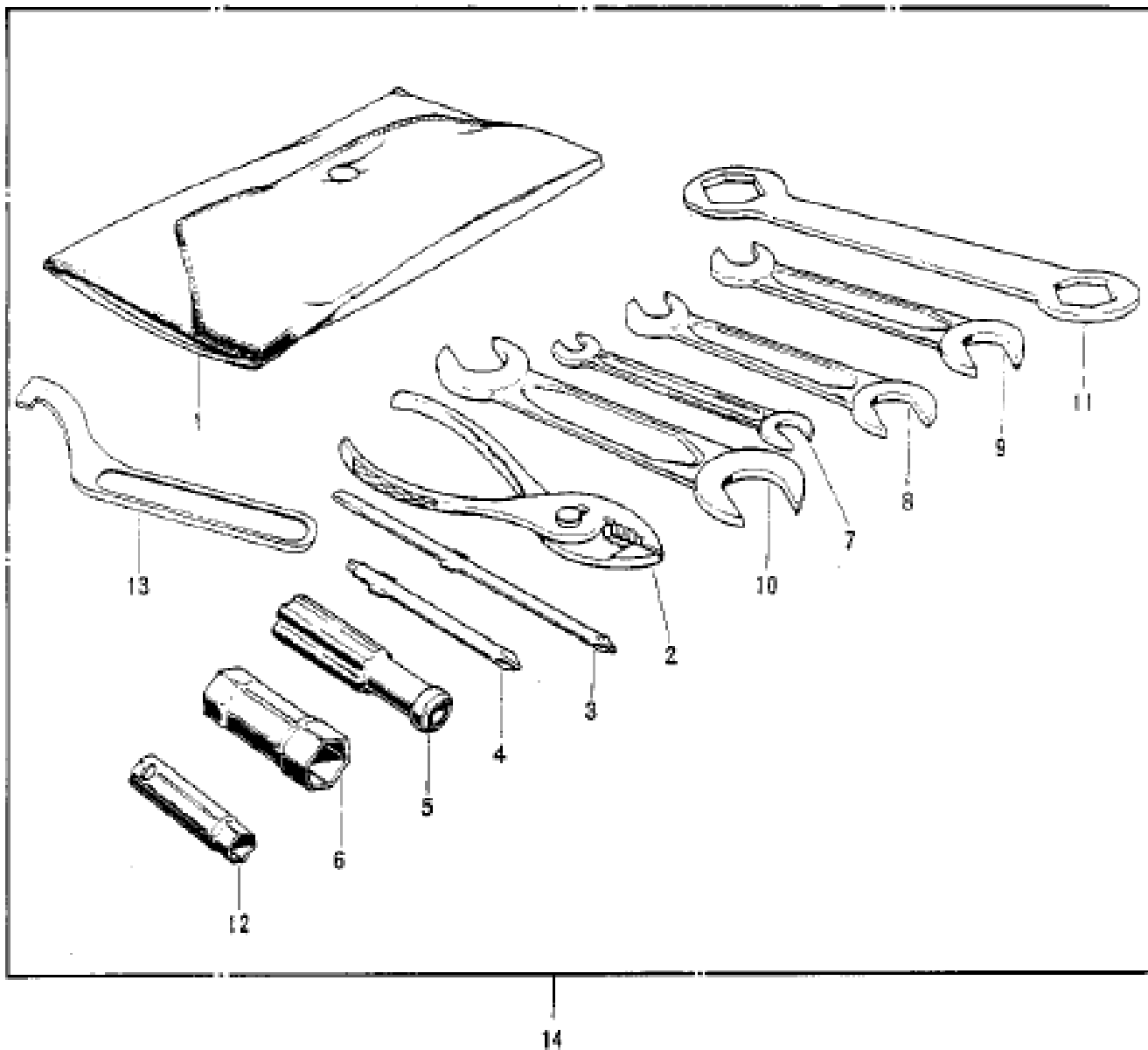
Part#	Ref#	Photo	Description	Qty	Model	Euro
23027-029	1		CASE-TAIL LAMP	1	S2	
23028-015	2		GASKET-TAIL LAMP CASE	1	S2	
23028-016	3		GASKET-TAIL LAMP LENS	1	S2	
23026-022	4		LENS-TAIL LAMP	1	S2	
92069-059	5		BULB-12V 32/3CP	1	S2	
220E0455A	6		SCREW PAN HEAD 4X55	4	S2	
23036-012-21	7		BRACKET-LICENSE PLT-BLK	1	S2	
92075-112	8		DAMPER RUBBER	3	S2	
92022-125	9		WASHER 6.5X20X1.6T	3	S2	
92027-120	10		COLLAR 6.8X10X10.5	3	S2	
110B0620	11		BOLT-HEX HEAD 6X20	2	S2	
116B0620	11		BOLT-HEX HEAD 6X20 - ALT	2	S2	
220B0620	12		SCREW PAN HEAD 6X20	1	S2	
461F0600	13		WASHER SPRING 6MM	3	S2	
92001-105	14		BOLT	2	S2	
92022-195	15		WASHER-PLAIN	2	S2	
92075-091	16		DAMPER RUBBER	2	S2	
23025-044	17		LAMP ASSY-TAIL	1	S2	



(S2-A)

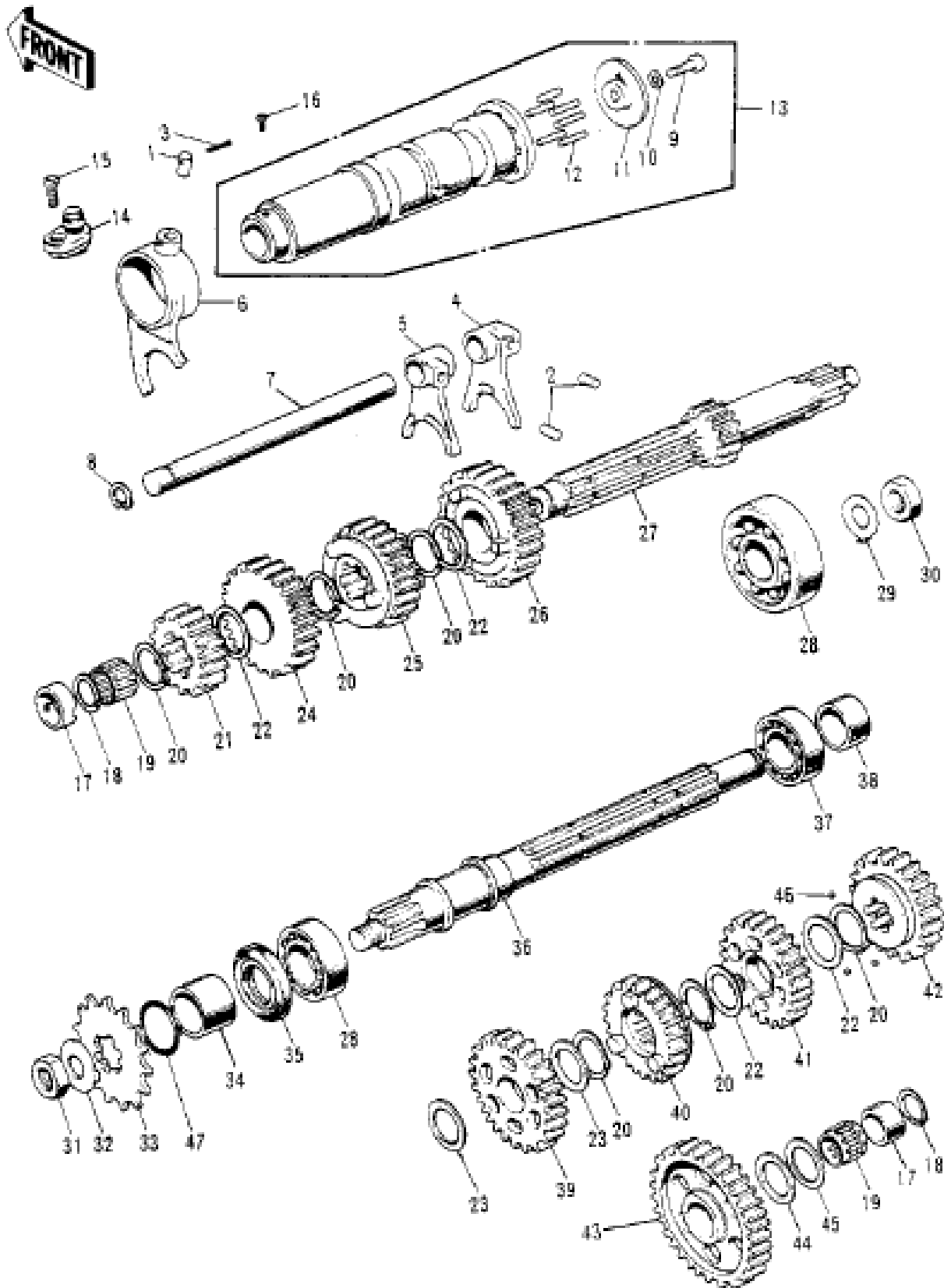


Part#	Ref#	Photo	Description	Qty	Model	Euro
220E0435A	1		SCREW PAN HEAD 4X35	2	S2A	
23026-023	2		LENS-TAIL LAMP	1	S2A	
23026-027	2		LENS-TAIL LAMP EURO	1	S2A	x
92069-039	3		BULB-12V 32/4CP	1	S2A	
92069-063	3		BULB-12V 21/5W EURO	1	S2A	x
23028-018	4		GASKET-TAIL LAMP LENS	1	S2A	
23027-030	5		CASE-TAIL LAMP	1	S2A	
23027-036	5		CASE-TAIL LAMP EURO	1	S2A	x
23036-022-21	6		BRACKET-LICENSE PLT-BLK	1	S2A	
23036-027-21	6		BRACKET-LICENSE PLT-BLK EURO	1	S2A	x
110B0620	7		BOLT-HEX HEAD 6X20	3	S2A	
116B0620	7		BOLT-HEX HEAD 6X20 - ALT	3	S2A	
92022-125	8		WASHER 6.5X20X1.6T	3	S2A	
92027-129	9		COLLAR 6.8X10X8.5	3	S2A	
92075-076	10		DAMPER RUBBER	3	S2A	
110B0622	11		BOLT-HEX HEAD 6X22	3	S2A	
116B0622	11		BOLT-HEX HEAD 6X22 - ALT	3	S2A	
461F0600	12		WASHER SPRING 6MM	3	S2A	
92022-125	13		WASHER 6.5X20X1.6T	3	S2A	
92027-120	14		COLLAR 6.8X10X10.5	3	S2A	
92075-112	15		DAMPER RUBBER	3	S2A	
23024-026-21	16		LAMP ASSY-TAIL-BLACK	1	S2A	
23024-030-21	16		LAMP ASSY-TAIL-BLACK EURO	1	S2A	x



Illustrations (c) 1966-2002 Kawasaki
Motors Corp., U.S.A. All rights reserved.

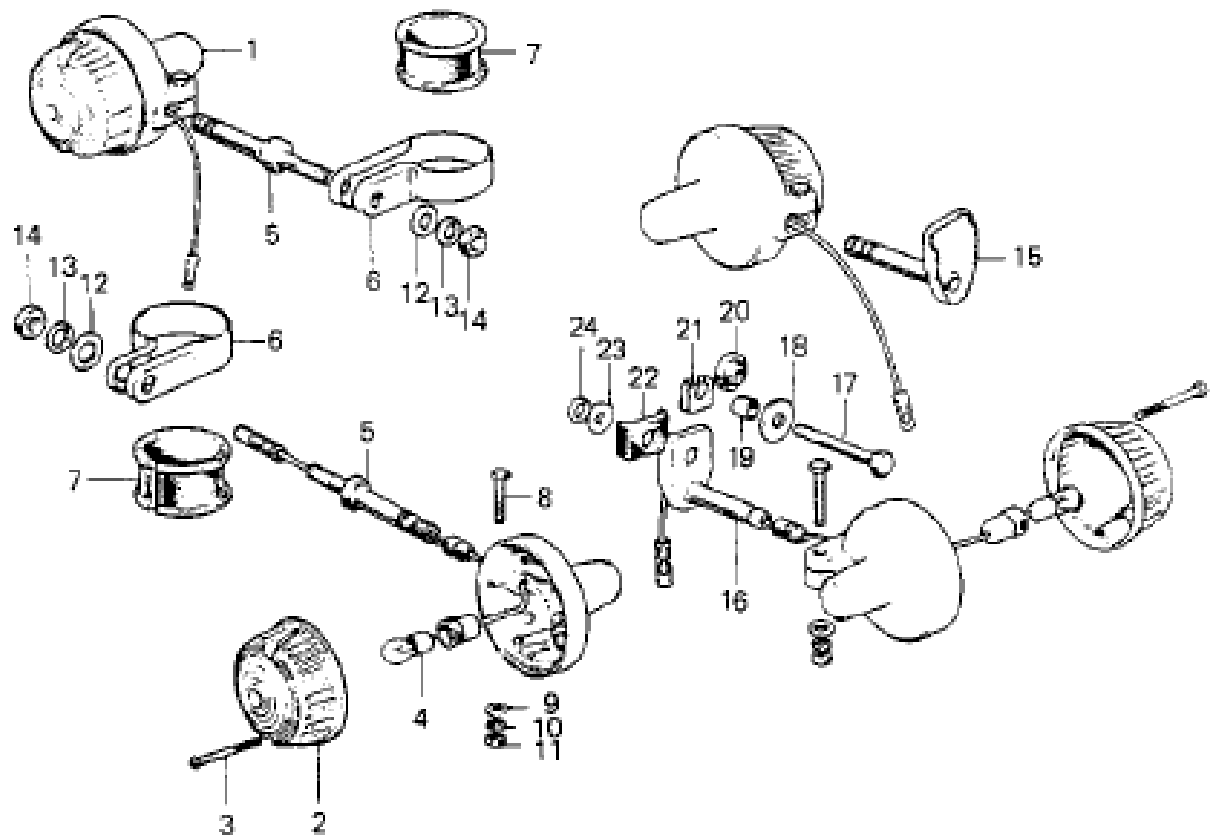
Part#	Ref#	Photo	Description	Qty	Model	Euro
56008-003	1		BAG-TOOL	1	S2/A	
56008-008	1		BAG-TOOL - ALT	1	S2/A	
92112-001	2		PLIERS 135MM	1	S2/A	
92107-003	3		SCREW DRIVER #2 PHLIP & SLOT	1	S2/A	
92107-005	4		SCREW DRIVER #3 PHLIP	1	S2/A	
92106-002	5		HANDLE SCREWDRIVER	1	S2/A	
92110-008	6		SPARKPLUG SOCKET	1	S2/A	
960B1012	7		WRENCH OPEN END 10X12	1	S2/A	
960B1013	8		WRENCH OPEN END 10X13	1	S2/A	
960B1417	9		WRENCH OPEN END 14X17	1	S2/A	
960B1921	10		WRENCH OPEN END 19X21	1	S2/A	
92109-002	11		WRENCH BOX 24X32	1	S2/A	
92110-007	12		WRENCH BOX 10MM	1	S2/A	
92108-005	13		ADJUSTER-REAR SHOCK	1	S2/A	
56007-024	14		TOOL KIT	1	S2/A	



Illustrations (c) 1966-2002 Kawasaki Motors Corp., U.S.A. All rights reserved.

Part#	Ref#	Photo	Description	Qty	Model	Euro
92042-021	1		PIN-DOWEL 8X18	1	S2/A	
92042-022	2		PIN SELECT FORK GUIDE	2	S2/A	
550D3020	3		PIN COTTER 3.0X20	1	S2/A	
13140-053	4		FORK-SELECTOR-LOW	1	S2/A	
13140-054	5		FORK-SELECTOR 2ND&3RD	1	S2/A	
13140-037	6		FORK-SELECTOR 4TH&TOP	1	S2/A	
13209-006	7		ROD-SHIFT	1	S2/A	
482J0100	8		CIRCLIP 10MM	1	S2/A	
220B0614	9		SCREW PAN HEAD 6X14	1	S2/A	
464H0600	10		WASHER LOCK 6MM	1	S2/A	
13142-008	11		PLATE CHANGE DRUM PIN	1	S2/A	
92042-014	12		PIN GEAR CHANGE DRUM	6	S2/A	
13239-003	13		DRUM ASSY-GEAR CHANGE	1	S2/A	
13151-014	14		SWITCH NEUTRAL - USE 13151-021	1	S2/A	
13151-021	14		SWITCH NEUTRAL - ALT	1	S2/A	
221B0616	15		SCREW CNTSNK HD 6X16	1	S2/A	
211B0406A	16		SCREW PAN HEAD 4X6	1	S2/A	
92028-043	17		BUSHING-TRANSMISSION SFT	2	S2/A	
92033-009	18		CIRCLIP 17MM	2	S2/A	
92046-005	19		BEARING NEEDLE	2	S2/A	
92033-025	20		CIRCLIP 25MM	6	S2/A	
13130-028	21		2ND GEAR-DRIVE SHAFT	1	S2/A	
92024-034	22		WASHER-THRUST T=1.0 MM	5	S2/A	
92024-035	23		WASHER-THRUST T=0.5 MM	2	S2/A	
13136-038	24		TOP GEAR-DRIVE SHAFT - 27T	1	S2/A	
13132-027	25		3RD GEAR-DRIVE SHAFT - 23T	1	S2/A	
13134-013	26		4TH GEAR-DRIVE SHAFT - 25T	1	S2/A	
13127-034	27		SHAFT-DRIVE 14T	1	S2/A	
92045-010	28		BEARING BALL #6205NX3 use 92045-1013	2	S2/A	
92024-026	29		WASHER LOCK 14MM	1	S2/A	
315B1400	30		NUT 14MM	1	S2/A	
92015-019	31		NUT 18MM	1	S2/A	
92024-067	32		WASHER LOCK 18MM	1	S2/A	
13144-030	33		ENGINE SPROCKET 15T OPT	1	S2/A	
13144-035	33		ENGINE SPROCKET 14T STD	1	S2/A	
92026-027	34		COLLAR-SPROCKET	1	S2/A	
92050-024	35		OIL SEAL SC325210	1	S2/A	
13128-031	36		SHAFT-OUTPUT	1	S2/A	
601B6005	37		BEARING BALL #6005	1	S2/A	
92027-135	38		COLLAR-OUTPUT SHAFT	1	S2/A	
13131-034	39		2ND GEAR-OUTPUT SHAFT - 34T	1	S2/A	
13137-022	40		TOP GEAR-OUTPUT SHAFT - 26T	1	S2/A	
13133-027	41		3RD GEAR-OUTPUT SHAFT - 31T	1	S2/A	
13135-017	42		4TH GEAR-OUTPUT SHAFT - 28T	1	S2/A	
13129-038	43		LOW GEAR-OUTPUT SHAFT - 40T	1	S2/A	
92026-021	44		WASHER-THRUST	1	S2/A	

92022-075	45	WASHER 17MM	1	S2/A
600A0500	46	BALL STEEL 5/32"	3	S2/A
92055-035	47	"O" RING	1	S2/A



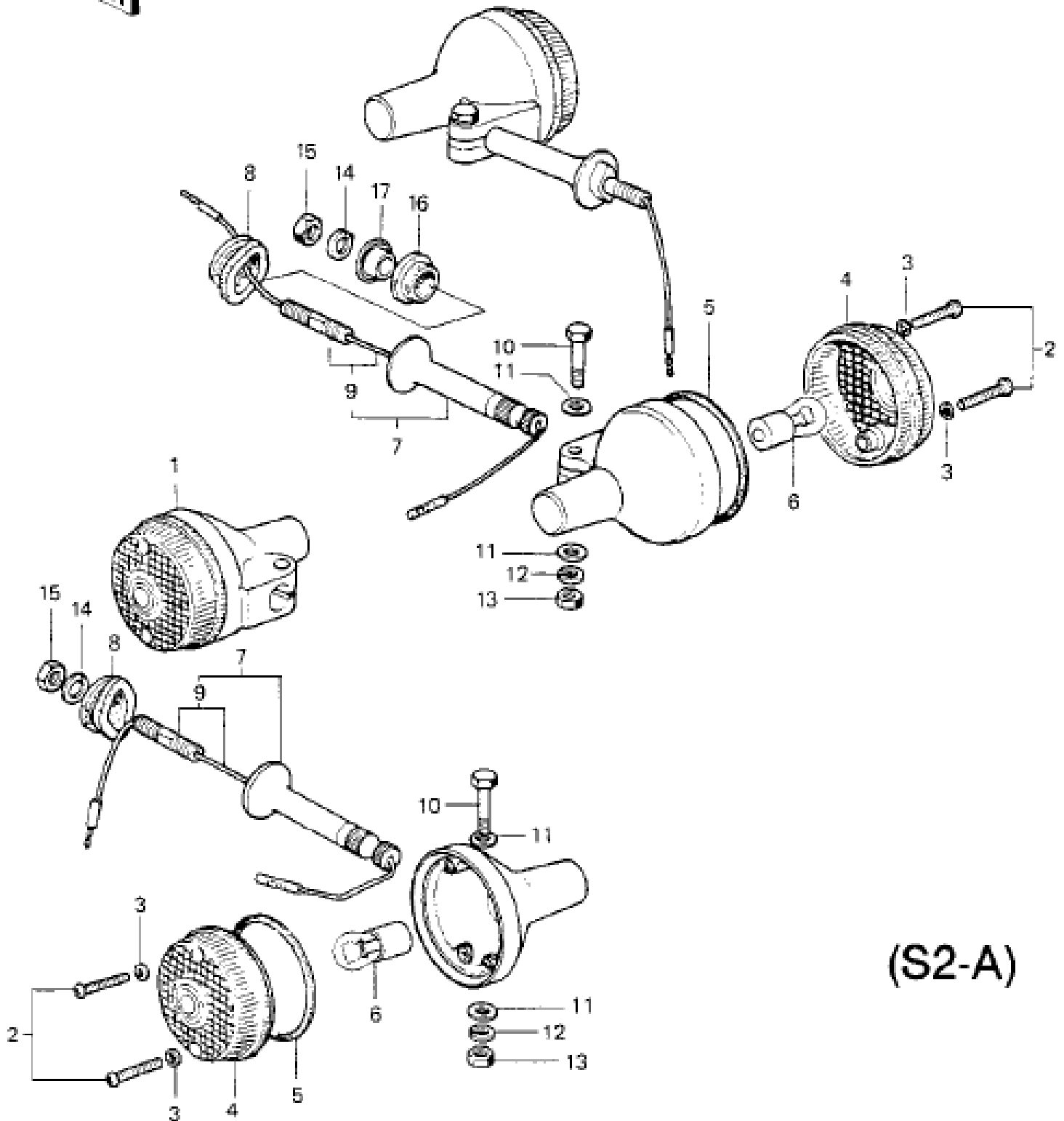
(S2)



Illustrations (c) 1966-2002 Kawasaki Motors Corp., U.S.A. All rights reserved.

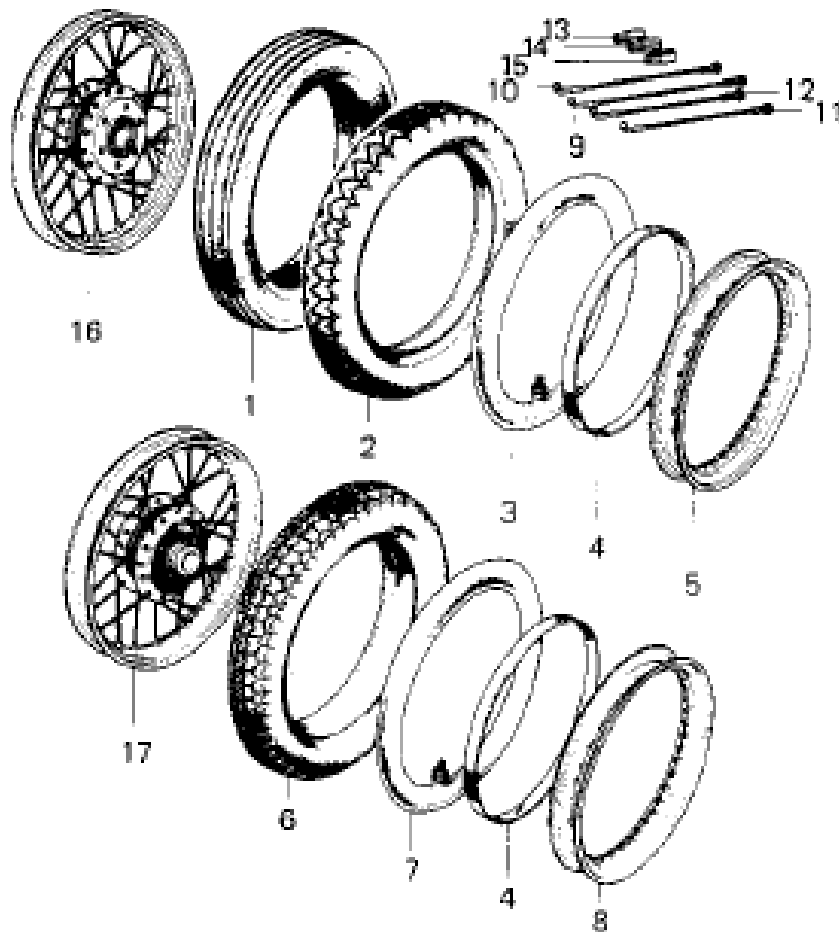
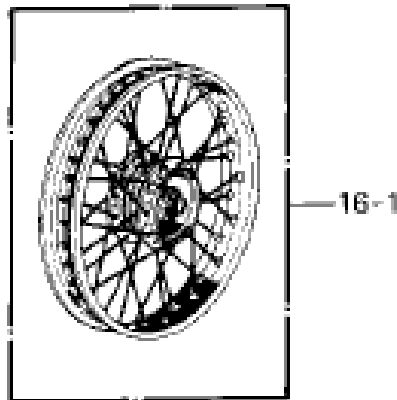
Part#	Ref#	Photo	Description	Qty	Model	Euro
23040-029	1		LAMP ASM-TURN SIGNAL	4	S2	
23048-012	2		LENS TURN SIGNAL LAMP	4	S2	
220E0430A	3		SCREW PAN HEAD 4X30	8	S2	
92069-055	4		BULB 12V 32CP (23W)	4	S2	
23051-027	5		BRACKET-RR SIGNAL LAMP	2	S2	
23051-021	6		BRACKET-FRT SIGNAL LAMP	2	S2	
92075-088	7		DAMPER RUBBER-FR SGNL	2	S2	
110N0630	8		BOLT-HEX HEAD 6X30	4	S2	
410B0600	9		WASHER-PLAIN 6MM	4	S2	
461E0600	10		WASHER SPRING 6MM	4	S2	
311B0600	11		NUT 6MM	4	S2	
410B1200	12		WASHER-PLAIN 12MM	2	S2	
461E1200	13		WASHER SPRING 12MM	2	S2	
315B1200A	14		NUT-HEX-FINE 12MM	2	S2	
23051-018	15		BRACKET-RR SIGNAL LAMP RH	1	S2	
23051-019	16		BRACKET-RR SIGNAL LAMP LH	1	S2	
113N1055	17		BOLT-HEX HEAD 10X55	2	S2	
92022-206	18		WASHER-PLAIN 10MM	2	S2	
92027-137	19		COLLAR	2	S2	
92075-114	20		DAMPER RUBBER A	2	S2	
23061-003	21		PLATE-EARTH	2	S2	
92075-082	22		DAMPER RUBBER	2	S2	
411B1000	23		WASHER-PLAIN 10MM	2	S2	
461F1000	24		WASHER SPRING 10MM	2	S2	

FRONT



(S2-A)

Part#	Ref#	Photo	Description	Qty	Model	Euro
23040-037	1		LAMP ASM-TURN SIGNAL	4	S2A	
220E0420A	2		SCREW PAN HEAD 4X20	8	S2A	
23058-002	3		WASHER-PLAIN 4MM	8	S2A	
23048-013	4		LENS TURN SIGNAL LAMP	4	S2A	
23050-003	5		GASKET-SIG LAMP LENS	4	S2A	
92069-055	6		BULB 12V 32CP (23W)	4	S2A	
23078-001	7		BRACKET-TURN SIG LAMP	4	S2A	
92075-128	8		DAMPER RUBBER	4	S2A	
23073-001	9		BOLT SET-SIG LAMP BKT	4	S2A	
116N0630	10		BOLT-HEX HEAD 6X30	4	S2A	
410B0600	11		WASHER-PLAIN 6MM	4	S2A	
411B0600	11		WASHER-PLAIN 6MM - ALT	8	S2A	
461F0600	12		WASHER SPRING 6MM	4	S2A	
310B0600	13		NUT 6MM	4	S2A	
461F1000	14		WASHER SPRING 10MM OPTION	4	S2A	
315B1000	15		NUT 10MM	4	S2A	
92075-158	16		DAMPER RUBBER-SIG LM	2	S2A	
92027-147	17		COLLAR	2	S2A	



Part#	Ref#	Photo	Description	Qty	Model	Euro
41013-013	1		TIRE 300-18 4PR Y506 F- NOT FOR US	1	S2A	
41021-027	2		TIRE 300S-18 4PR Y622 F USE 41021-031	1	S2	
41021-031	2		TIRE 300S-18 4PR - ALT	1	S2	
41022-016	3		TUBE 300-18 FRT	1	S2	
41022-020	3		TUBE 300-18 FRT	1	S2A	
41023-006	4		BAND RIM	2	S2	
41023-017	4		BAND RIM	2	S2A	
41025-052	5		RIM 1.60AX18 FR	1	S2	
41025-061	5		RIM 1.60AX18 FR	1	S2A	
41014-023	6		TIRE 350-18 4PR Y622 F	1	S2A	
41014-025	6		TIRE 300-18 4PR Y622 R	1	S2A	
41022-027	7		TUBE 350-18 R	1	S2A	
41025-053	8		RIM 1.85BX18W REAR	1	S2A	
41027-045	9		SPOKE ASM-FR INNER #9 103 X 147 MM	20	S2	
41027-054	9		SPOKE ASM-FR INNER 102 X 174.5 MM	20	S2A	
41028-044	10		SPOKE ASM-FR OUTER #9 86 X 146 MM	20	S2	
41028-054	10		SPOKE ASM-FR OUTER 83 X 174 MM	20	S2A	
41027-046	11		SPOKE ASM-RR INNER 104 X 147 MM	20	S2	
41027-046	11		SPOKE ASM-RR INNER 104 X 147 MM	20	S2A	
41028-045	12		SPOKE ASM-RR OUTER 85 X 146 MM	20	S2	
41028-045	12		SPOKE ASM-RR OUTER 85 X 146 MM	20	S2A	
41075-001	13		WEIGHT BALANCE 10G	AR	S2A	
41075-002	14		WEIGHT BALANCE 20G	AR	S2A	
41075-003	15		WEIGHT BALANCE 30G	AR	S2A	
41074-011	16		WHEEL ASSY-FRONT 1.60A X 18	1	S2	
41074-030	16		WHEEL ASSY-FRONT 1.60A X 18	1	S2A	
42048-007	17		WHEEL ASSY-REAR 1.85BX18	1	S2	
42048-017	17		WHEEL ASSY-REAR 1.85BX18	1	S2A	