



**Model**

**750:H2C**

**Exclusive Parts List**



## 750:H2C

### INDEX

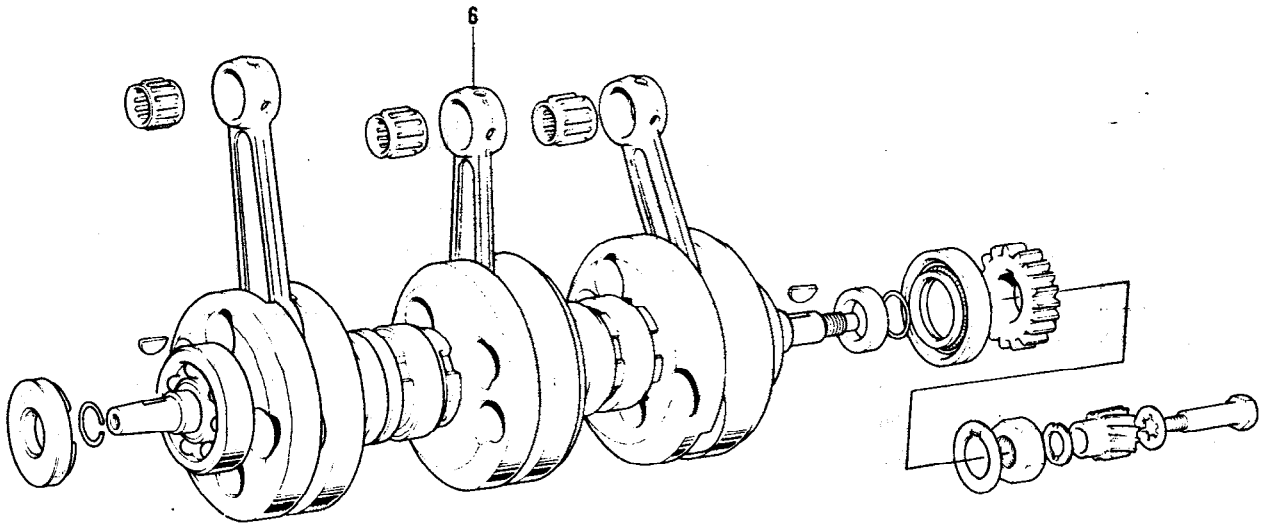
---

3.	Piston, Crankshaft .....	1
4.	Clutch .....	1
8.	Engine Covers, Tachometer .....	3
9	Electrical Equipment for Engine .....	3
10.	Air Cleaner, Muffler .....	5
12.	Oil Pump .....	5
13.	Frame .....	7
14.	Swinging Arm, Rear Shock Absorber .....	7
16.	Handlebar, Grips .....	9
18.	Fenders .....	9
20.	Disc Brake Equipment A .....	11
24.	Fuel Tank .....	11
25.	Oil Tank, Side Covers .....	13
26.	Dual Seat .....	13
27.	Chain Cover, Chain .....	15
29.	Electrical Equipment A .....	15
29-1.	Electrical Equipment A .....	17
30.	Electrical Equipment B .....	17
31.	Electrical Equipment C .....	19
	Numerical Parts Index .....	22

---

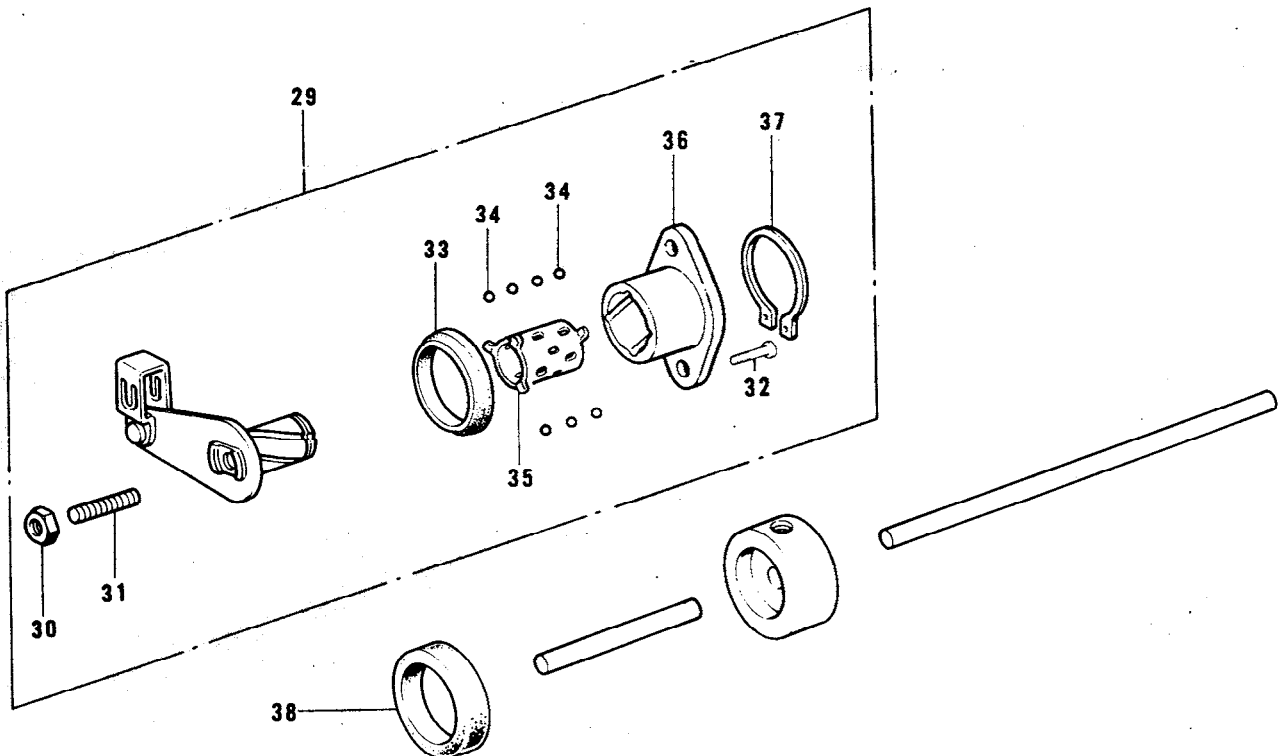
3. Piston, Crankshaft

---



4. Clutch

---



## 3. Piston, Crankshaft

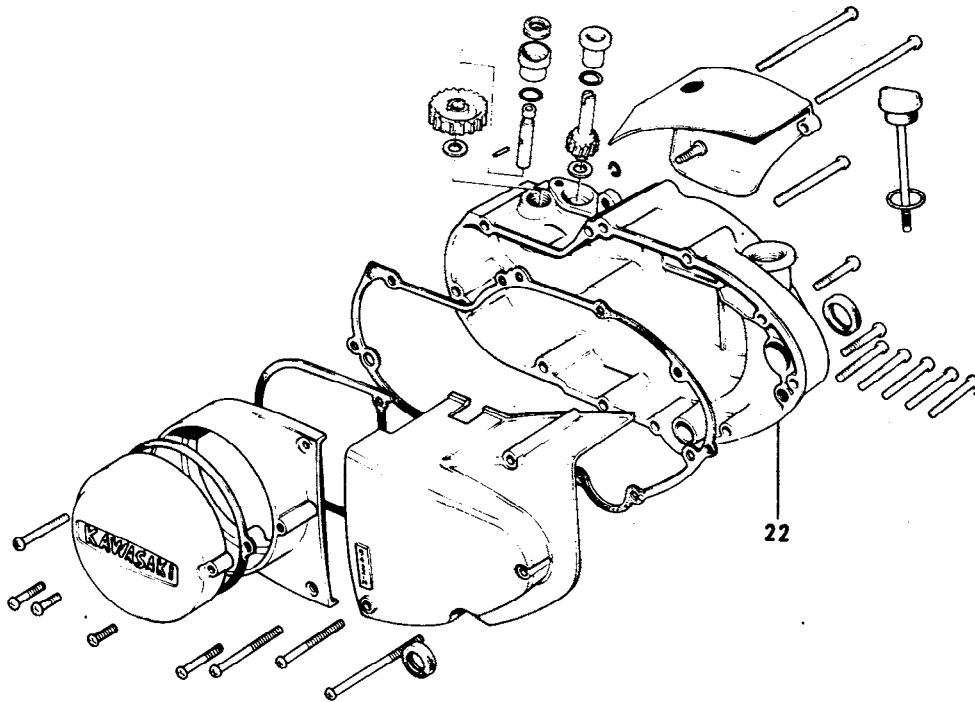
Ref. No.	Part No.	Part Name	Quantity	Remarks
6	13031-050	CRANK & CONROD ASSY	1	

## 4. Clutch

Ref. No.	Part No.	Part Name	Quantity	Remarks
29	13231-018	RELEASE ASSY, clutch	1	
30	311B0600	NUT, 6 m/m	1	
31	291Z0625	SCREW, slotted, 6 x 25	1	
32	220B0616	SCREW, pan head, 6 x 16	2	
33	92056-007	OIL SEAL	1	
34	600A0400	BALL, steel, 1/8"	11	
35	13197-006	RETAINER	1	
36	13118-015	OUTER, clutch release	1	
37	480J1500	CIRCLIP, 15 m/m	1	
38	92050-070	OIL SEAL	1	

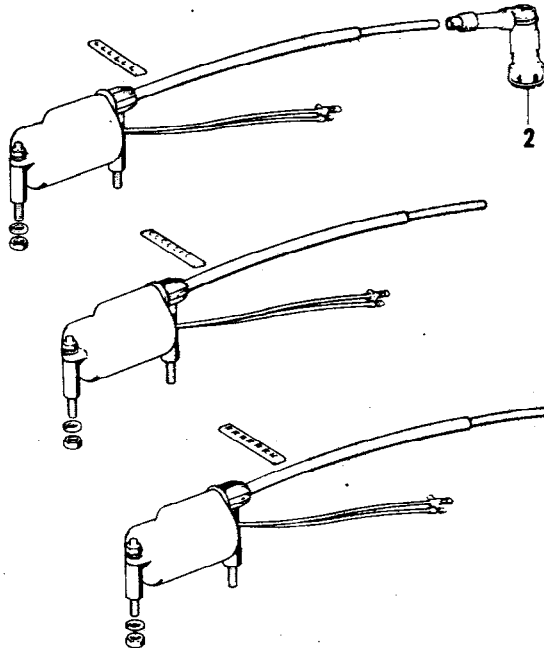
8. Engine Covers, Tachometer

---



9. Electrical Equipment for Engine

---



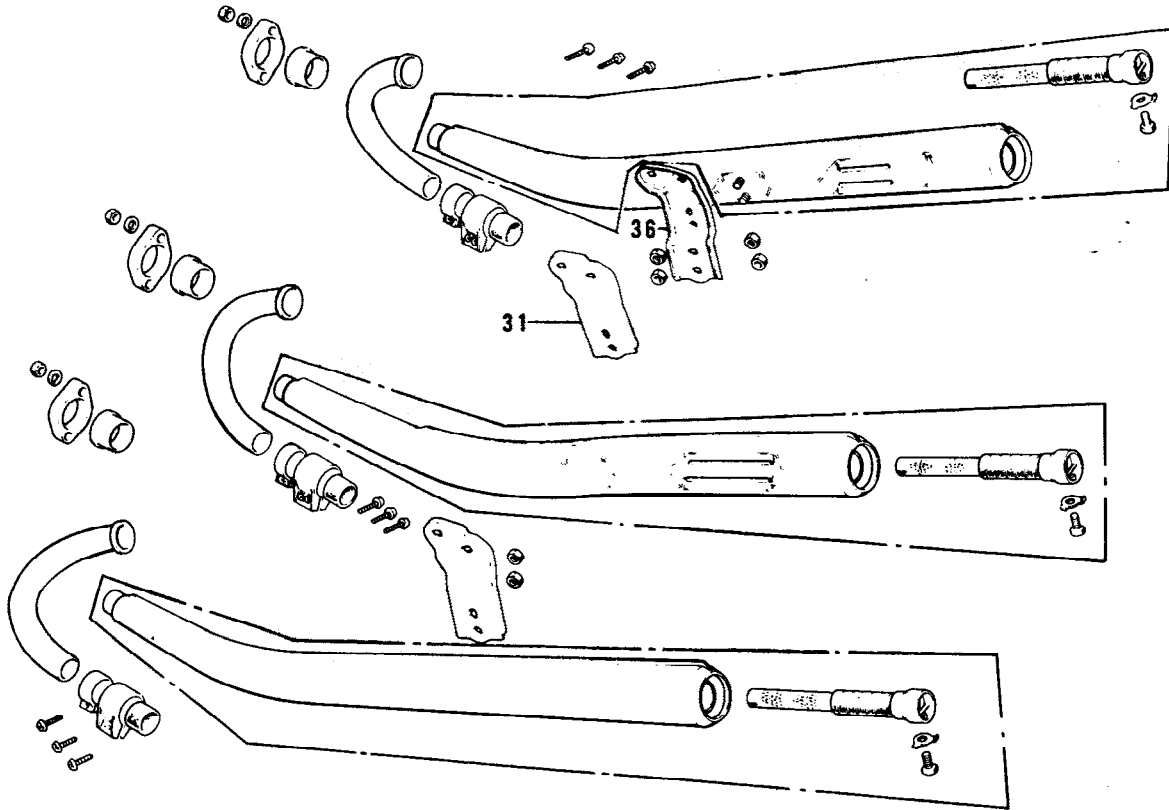
## 8. Engine Covers, Tachometer

Ref. No.	Part No.	Part Name	Quantity	Remarks
22	14032-098-80	COVER, R.H. engine	1	Buff Finish

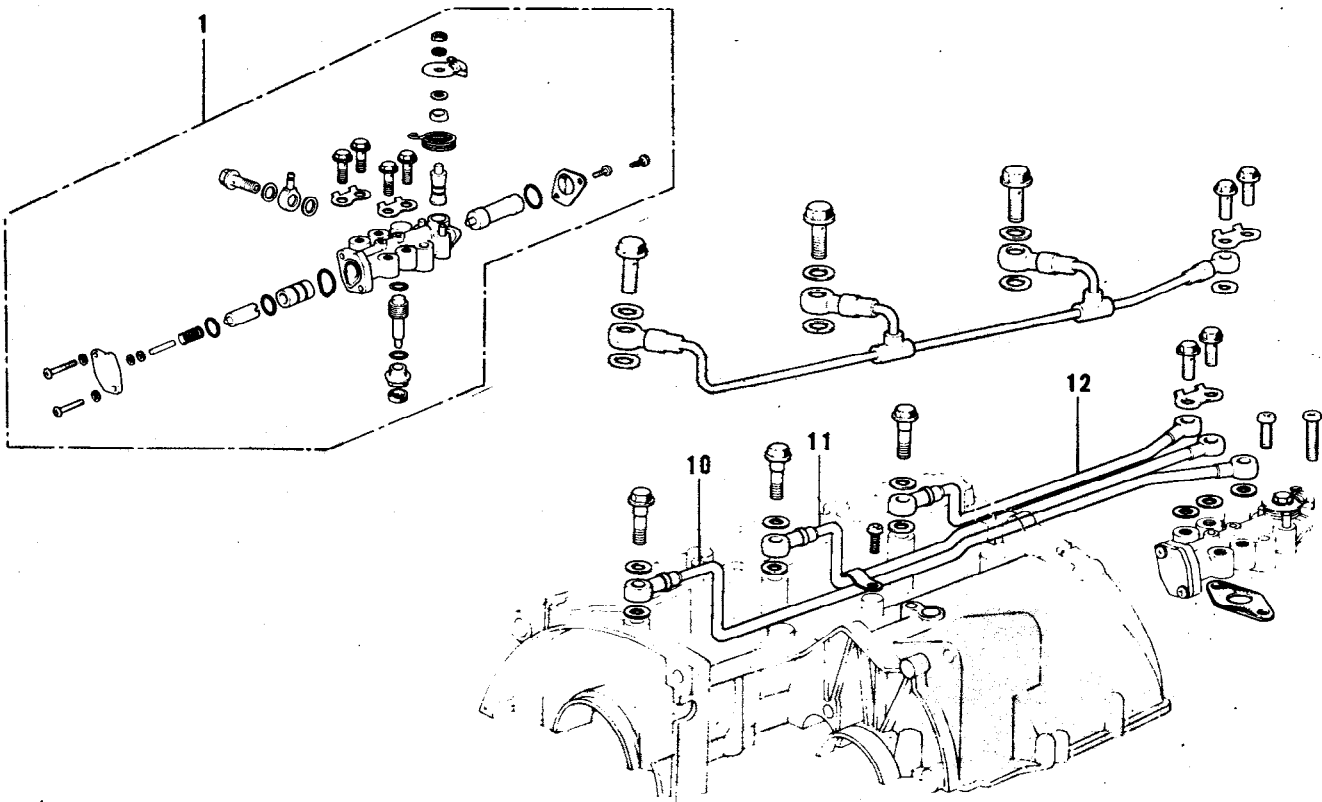
## 9. Electrical Equipment for Engine

Ref. No.	Part No.	Part Name	Quantity	Remarks
2	21130-023	CAP, spark plug	3	
		P/No. 92101-001 is not required for European Market.		

10. Air Cleaner, Mufflers



12. Oil Pump



## 10. Air Cleaner, Mufflers

Ref. No.	Part No.	Part Name	Quantity	Remarks
31	18061-052	BRACKET, center muffler	1	
36	18061-053	BRACKET, R.H. muffler	1	

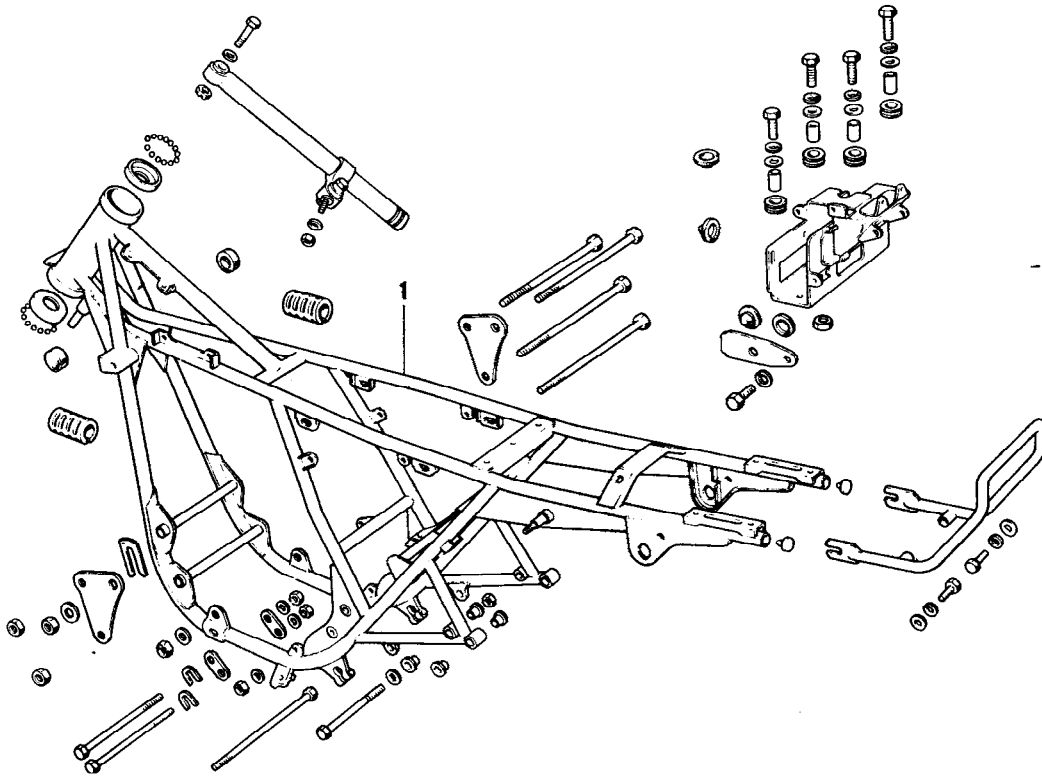
## 12. Oil Pump

Ref. No.	Part No.	Part Name	Quantity	Remarks
1	16082-060	OIL PUMP ASSY	1	
10	16134-024	PIPE, oil, L.H.	1	L=340m/m
11	16134-025	PIPE, oil, CENTER	1	L=240m/m
12	16134-026	PIPE, oil, R.H.	1	L=270m/m



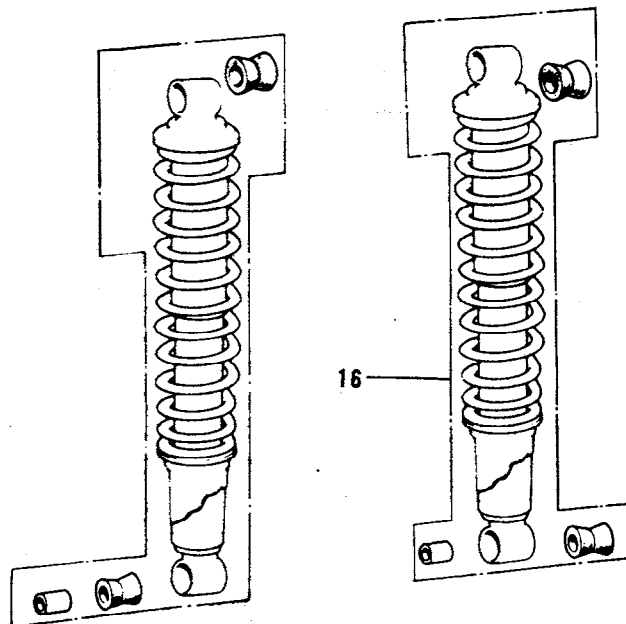
13. Frame

---



14. Swinging Arm, Rear Shock Absorber

---



## 13. Frame

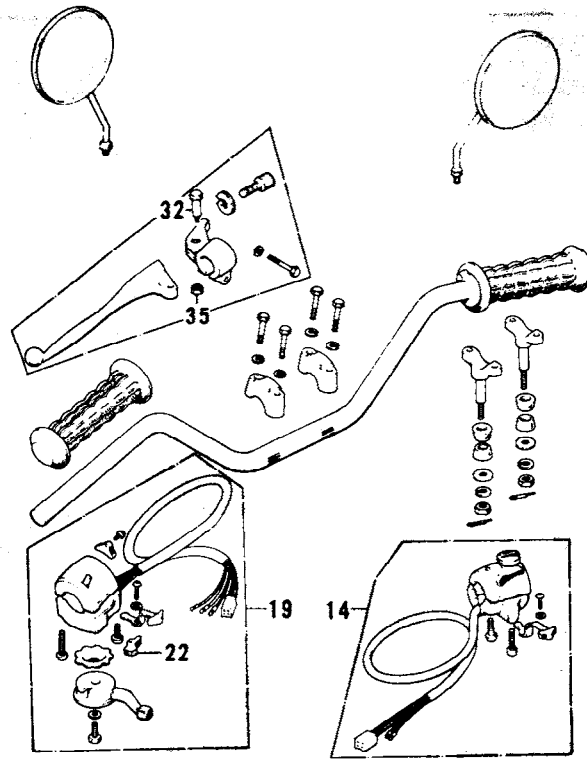
Ref. No.	Part No.	Part Name	Quantity	Remarks
1	32002-107	FRAME	1	

## 14. Swinging Arm, Rear Shock Absorber

Ref. No.	Part No.	Part Name	Quantity	Remarks
16	45014-102	SHOCK ABSORBER, rear	2	

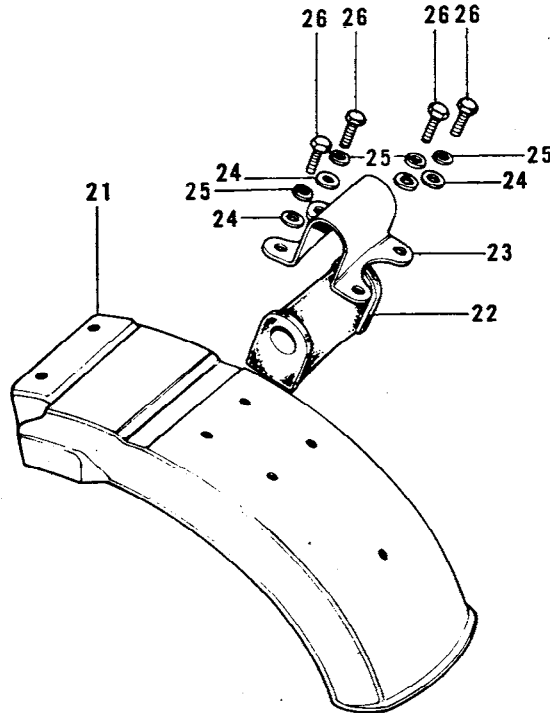
16. Handlebar, Grips

---



18. Fenders

---



## 16. Handlebar, Grips

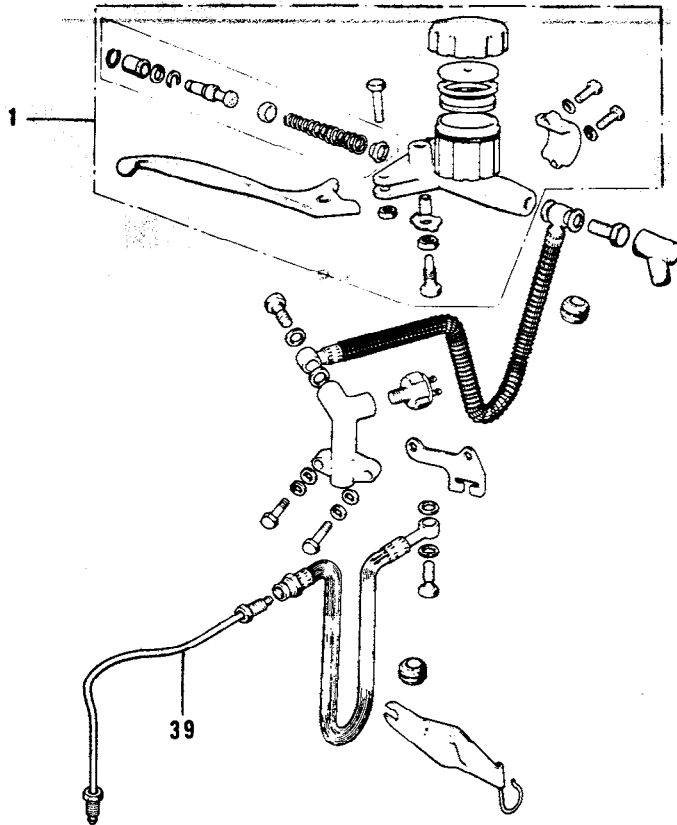
Ref. No.	Part No.	Part Name	Quantity	Remarks
14	46132-012	CASE ASSY, R.H.	1	
19	46091-033	CASE ASSY, L.H.	1	
22	46027-015	SWITCH ASSY, push button	1	
23,24		Not required for P/No. 46027-015		
32	92007-046	BOLT, hex head, 5 x 22	1	
33,34		Not required for P/No. 92007-046		
35	92019-014	NUT, lock, 5 m/m	1	

## 18. Fenders

Ref. No.	Part No.	Part Name	Quantity	Remarks
21	35022-096	FENDER, rear	1	
22	92075-211	DAMPER RUBBER, rear fender	1	
23	35026-009	BRACKET, rear fender	1	
24	411B0600	WASHER, plain, 6 m/m	4	
25	461F0600	WASHER, spring, 6 m/m	4	
26	110B0612	BOLT, hex head, 6 x 12	4	

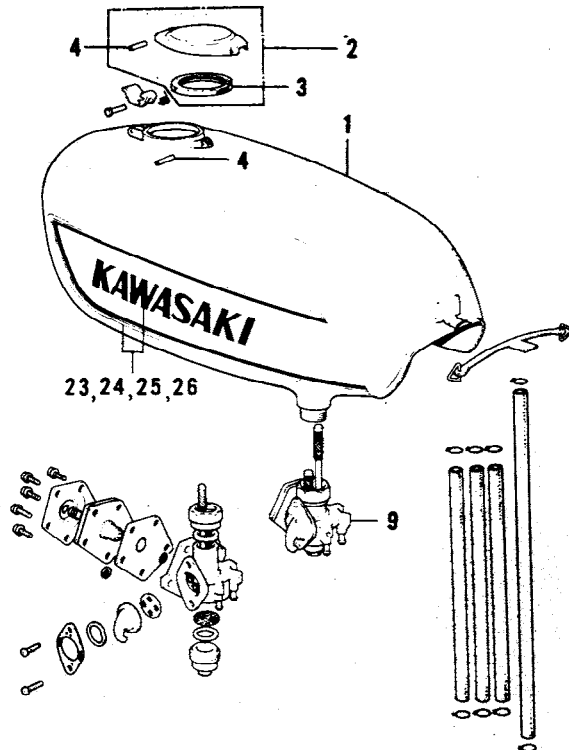
20. Disc Brake Equipment A

---



24. Fuel Tank

---



## 20. Disc Brake Equipment A

Ref. No.	Part No.	Part Name	Quantity	Remarks
1	43015-009	CYLINDER ASSY, master	1	
39	43060-007	PIPE, bridge	1	

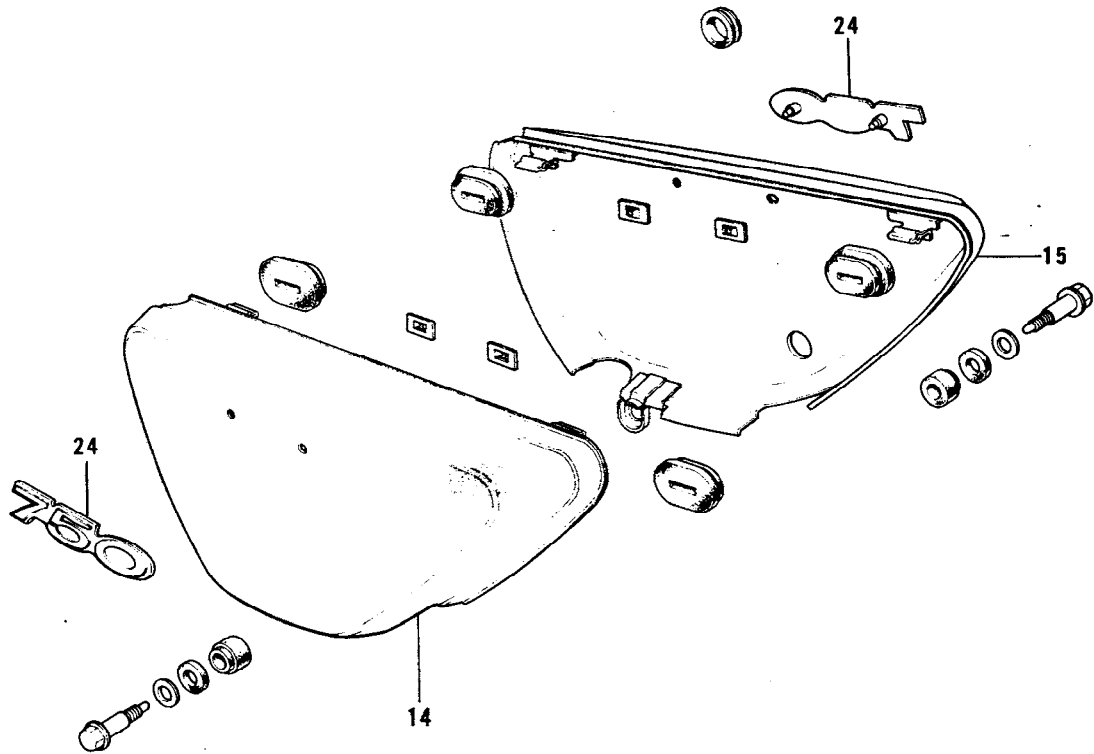
## 24. Fuel Tank

Ref. No.	Part No.	Part Name	Quantity	Remarks
1	51001-102-2U	TANK, fuel, Candytone Purple	1	
	51001-102-2V	TANK, fuel, Candytone Super Red	1	
2	51048-007	CAP ASSY, fuel tank	1	
3	51059-008	GASKET, fuel tank cap	1	
4	92043-096	PIN, fuel tank cap fitting	2	
9	51023-040	COCK ASSY, fuel	1	
23	*56027-272-SP	DECAL, fuel tank, L.H.	1	} Use for Candytone Purple
24	*56027-273-SP	DECAL, fuel tank, R.H.	1	
25	*56027-233-SP	DECAL, fuel tank, L.H.	1	} Use for Candytone Super Red
26	*56027-234-SP	DECAL, fuel tank, R.H.	1	

\* Special Solution is required for these transfer type marks.

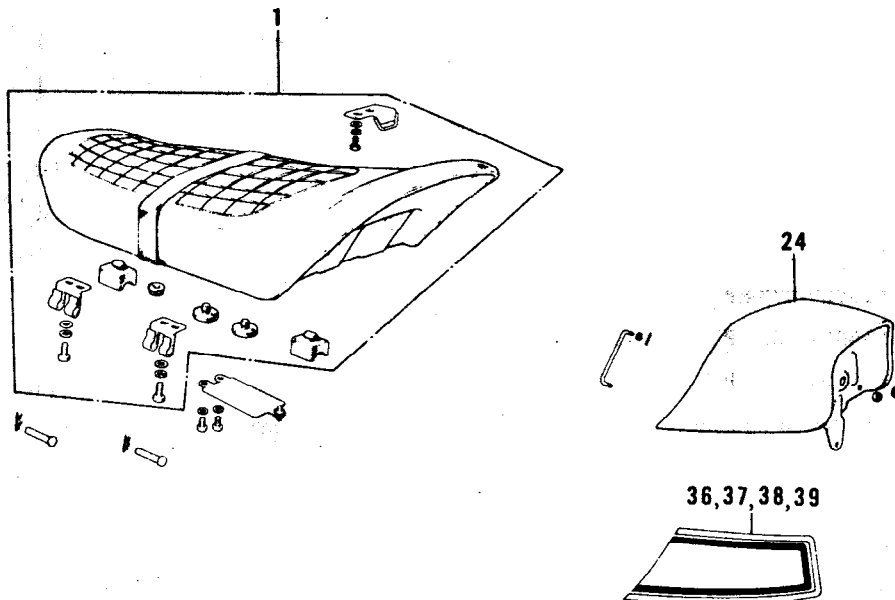
25. Oil Tank, Side Covers

---



26. Dual Seat

---



## 25. Oil Tank, Side Covers

Ref. No.	Part No.	Part Name	Quantity	Remarks
14	36001-042-2U	COVER, L.H. side, Candytone Purple	1	
	36001-042-2V	COVER, L.H. side, Candytone Super Red	1	
15	36007-036-2U	COVER, R.H. side, Candytone Purple	1	
	36007-036-2V	COVER, R.H. side, Candytone Super Red	1	
24	56018-194	EMBLEM, side cover	2	
25		Not required for H2C Model.		

## 26. Dual Seat

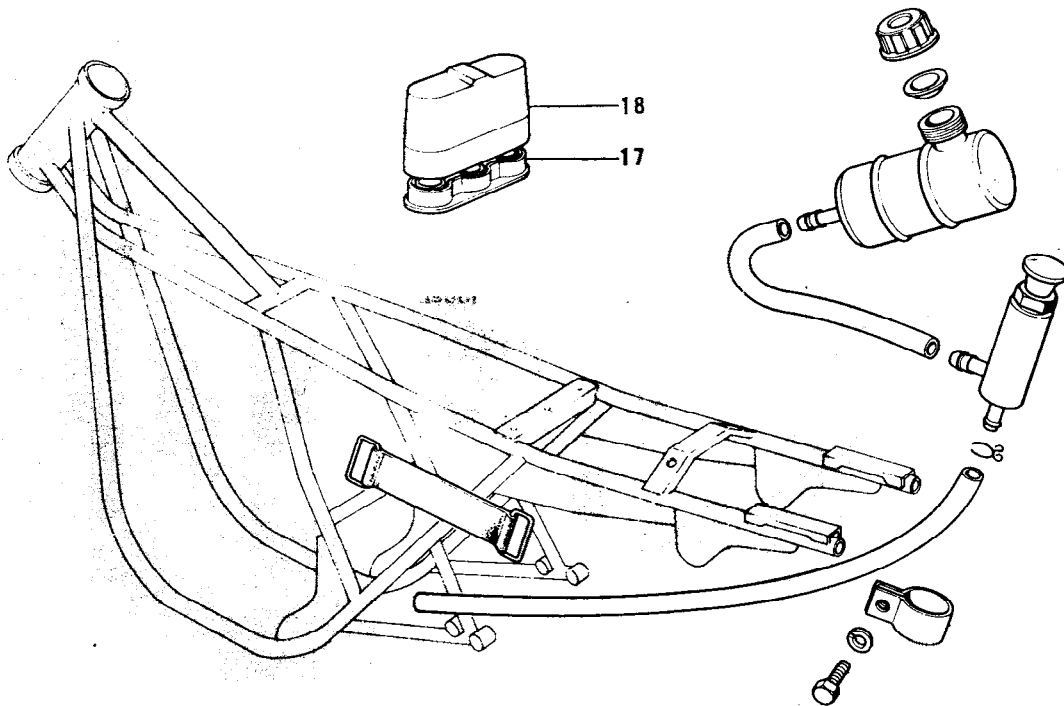
Ref. No.	Part No.	Part Name	Quantity	Remarks
1	53001-112	SEAT ASSY, dual	1	
24	53043-007-2U	BACK REST, Candytone Purple	1	
	53043-007-2V	BACK REST, Candytone Super Red	1	
36	*56027-241-SP	DECAL, L.H. back rest	1	} Use for Candytone Super Red
37	*56027-242-SP	DECAL, R.H. back rest	1	
38	*56027-268-SP	DECAL, L.H. back rest	1	} Use for Candytone Purple
39	*56027-269-SP	DECAL, R.H. back rest	1	

\* Special Solution is required for these transfer type marks.



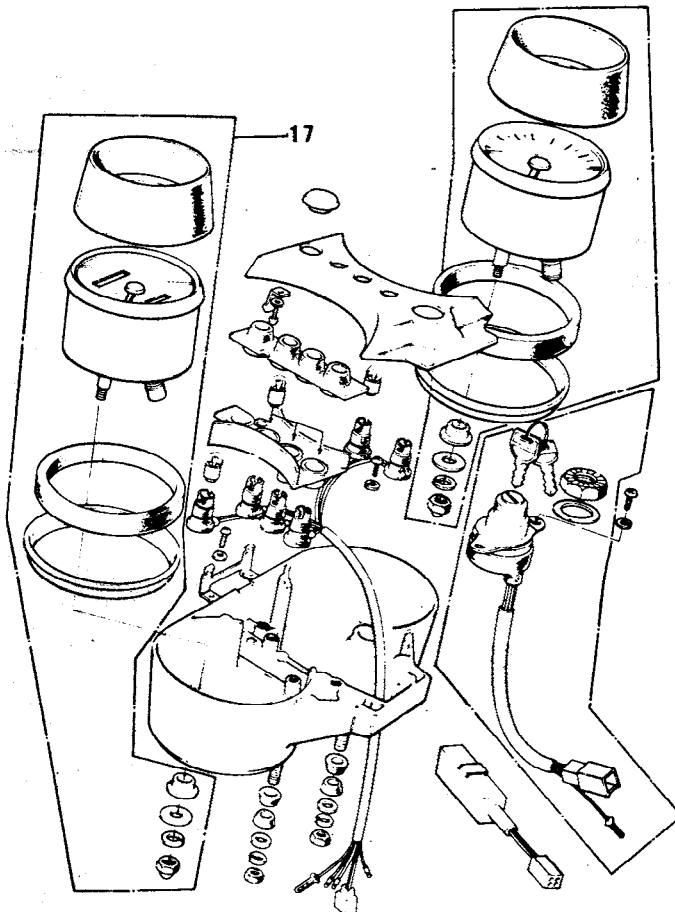
27. Chain Cover, Chain

---



29. Electrical Equipment A

---



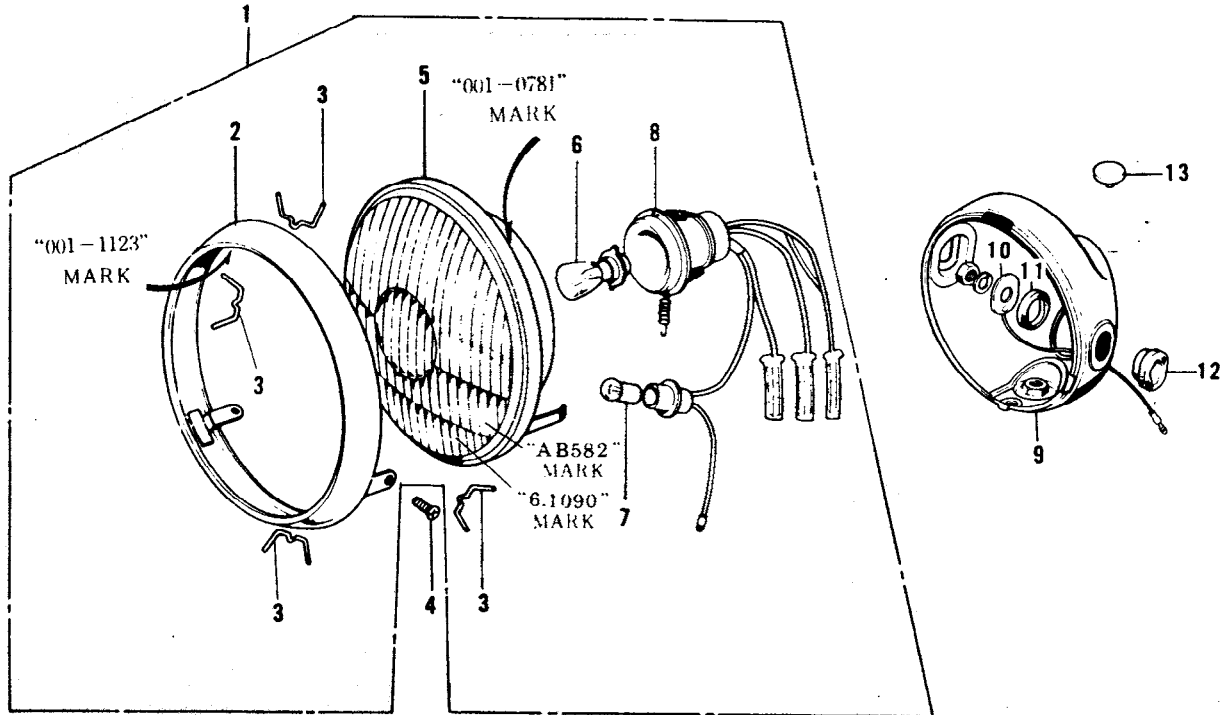
27. Chain Cover, Chain

Ref. No.	Part No.	Part Name	Quantity	Remarks
17	32132-002	HOLDER, spark plug cover	1	
18	32132-003	COVER, spark plug	1	

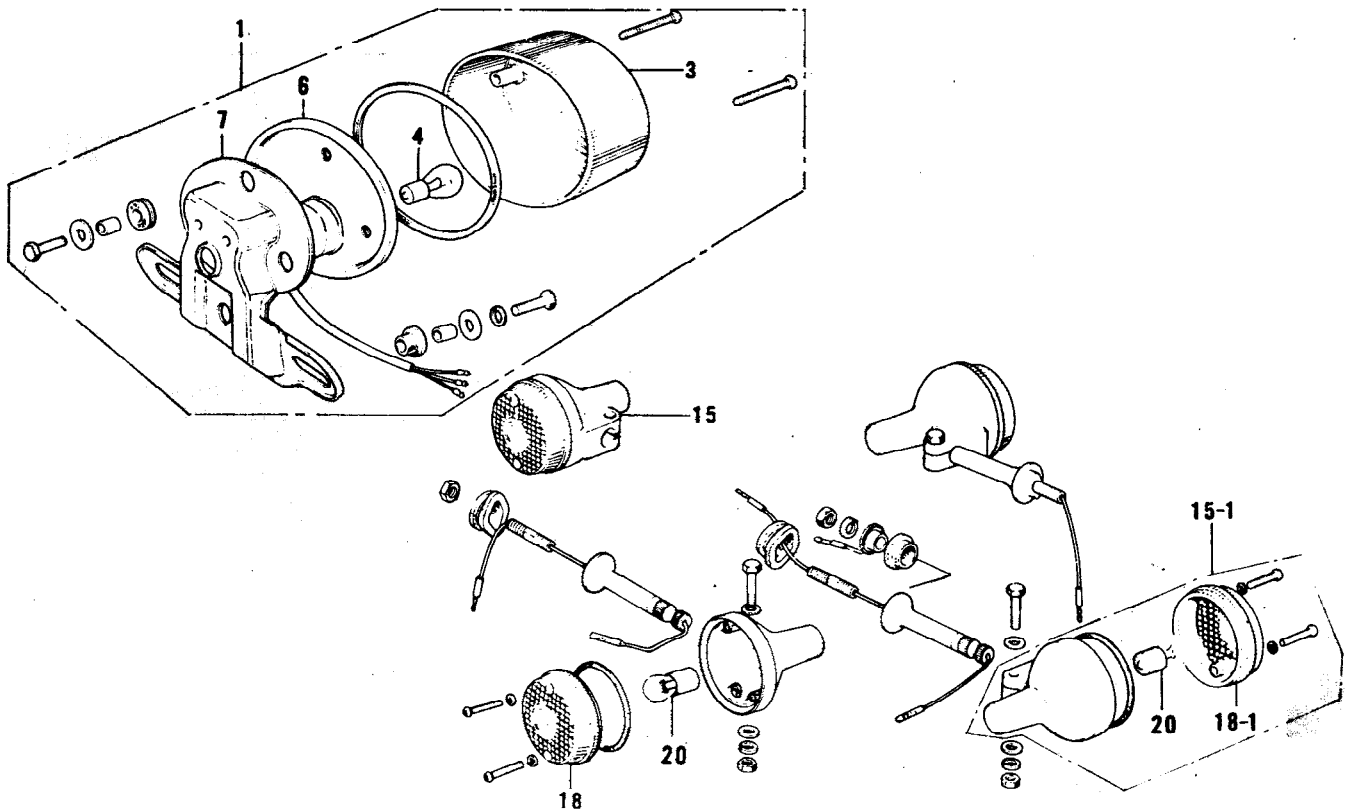
29. Electrical Equipment A

Ref. No.	Part No.	Part Name	Quantity	Remarks
17	25005-122	SPEEDOMETER ASSY, MPH	1	
	25005-111	SPEEDOMETER ASSY, KPH	1	

29-1. Electrical Equipment A



30. Electrical Equipment B



## 29-1. Electrical Equipment A

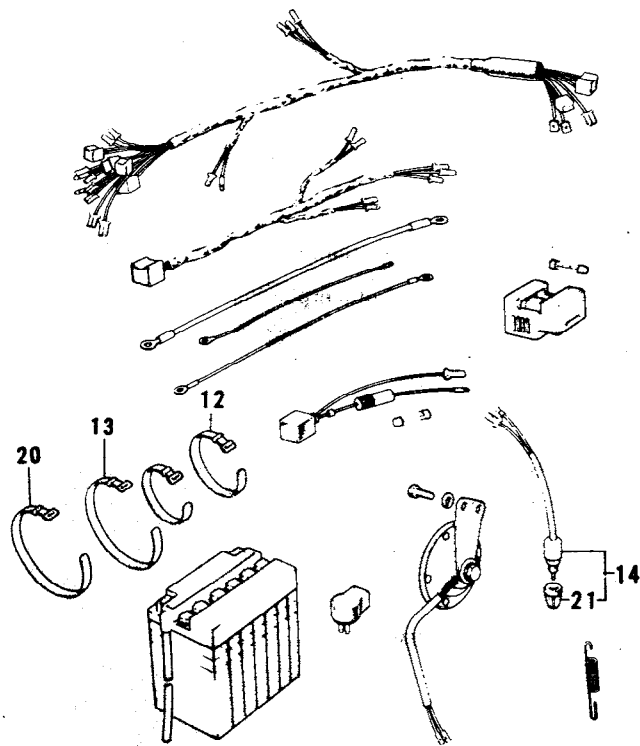
Ref. No.	Part No.	Part Name	Quantity	Remarks
1	23004-052	LAMP UNIT, head	1	
	23004-062	LAMP UNIT, head	ALT	
2	23006-031	RIM, head lamp	1	
3	23009-012	CLAMP, head lamp lens unit	1	
4	23019-022	SCREW, pan head, 5 x 14	2	
5	23007-035	LENS UNIT, head lamp	1	
	23007-065	LENS UNIT, head lamp	ALT	
6		BULB, 12V 35/35W	1	} Local Procurement Item
7		BULB, 12V 4W	1	
8	23008-032	SOCKET, head lamp	1	
9	23005-037-21	BODY, head lamp	1	Flat Black
10	23076-005	COLLAR	2	
11	23066-005	DAMPER RUBBER B	2	
12	23066-001	DAMPER RUBBER A	2	
13	92074-006	PLUG, head lamp body	1	

## 30. Electrical Equipment B

Ref. No.	Part No.	Part Name	Quantity	Remarks
1	23024-030-21	LAMP ASSY, tail	1	Flat Black
3	23026-027	LENS, tail lamp	1	
4		BULB, 12V 21/5W	1	Local Procurement Item
6	23027-036	CASE, tail lamp	1	
7	23036-027-21	BRACKET, license plate	1	Flat Black
15	23040-047	LAMP ASSY, front turn signal	2	
15-1	23040-048	LAMP ASSY, rear turn signal	2	
18	23048-012	LENS, front turn signal lamp	2	
18-1	23048-015	LENS, rear turn signal lamp	2	
20		BULB, 12V 21W	4	Local Procurement Item

31. Electrical Equipment C

---



## 31. Electrical Equipment C

---

Ref. No.	Part No.	Part Name	Quantity	Remarks
5		Not required for H2C Model		
12	92072-031	BAND, rubber	2	L=149m/m
13	92072-056	BAND, rubber	1	L=186m/m
14	27010-023	SWITCH, brake light	1	
20	92072-032	BAND, rubber	2	L=214m/m
21	27037-001	NUT, brake lamp switch	1	

---

## Numerical Parts Index

\* : Indicates the Newly developed parts for Kawasaki 750 Model H2C

Part No.	Page	Q'ty	Part No.	Page	Q'ty
110B0612	10	4	43015-009	12	1
13031-050	2	1	43060-007	12	1
13118-015	2	1	45014-102	8	2
13197-006	2	1	46027-015	10	1
13231-018	2	1	46091-033	10	1
14032-098-80	4	1	461F0600	10	4
* 16082-060	6	1	46132-012	10	1
16134-024	6	1	480J1500	2	1
16134-025	6	1	* 51001-102-2U	12	1
16134-026	6	1	* 51001-102-2V	12	1
18061-052	6	1	51023-040	12	1
18061-053	6	1	51048-007	12	1
21130-023	4	3	51059-008	12	1
22080616	2	2	* 53001-112	14	1
23004-052	18	1	* 53043-007-2U	14	1
23004-062	18		* 53043-007-2V	14	1
23005-037-21	18	1	* 56018-194	14	2
23006-031	18	1	* 56027-233-SP	12	1
23007-035	18	1	* 56027-234-SP	12	1
23007-065	18		* 56027-241-SP	14	1
23008-032	18	1	* 56027-242-SP	14	1
23009-012	18	1	* 56027-268-SP	14	1
23019-022	18	2	* 56027-269-SP	14	1
23024-030-21	18	1	* 56027-272-SP	12	1
23026-027	18	1	* 56027-273-SP	12	1
23027-036	18	1	600A0400	2	11
23036-027-21	18	1	92007-046	10	1
23040-047	18	2	92019-014	10	1
23040-048	18	2	92043-096	12	2
23048-012	18	2	92050-070	2	1
23048-015	18	2	92056-007	2	1
23066-001	18	2	92072-031	20	2
23066-005	18	2	92072-032	20	2
23076-005	18	2	92072-056	20	1
25005-122	16	1	92074-006	18	1
25005-111	16	1	92075-211	10	1
* 27010-023	20	1			
27037-001	20	1			
29120625	2	1			
31180600	2	1			
* 32002-107	6	1			
32132-002	16	1			
32132-003	16	1			
35022-096	10	1			
35026-003	10	1			
* 36001-042-2U	14	1			
* 36001-042-2V	14	1			
* 36007-036-2U	14	1			
* 36007-036-2V	14	1			
41130600	10	4			