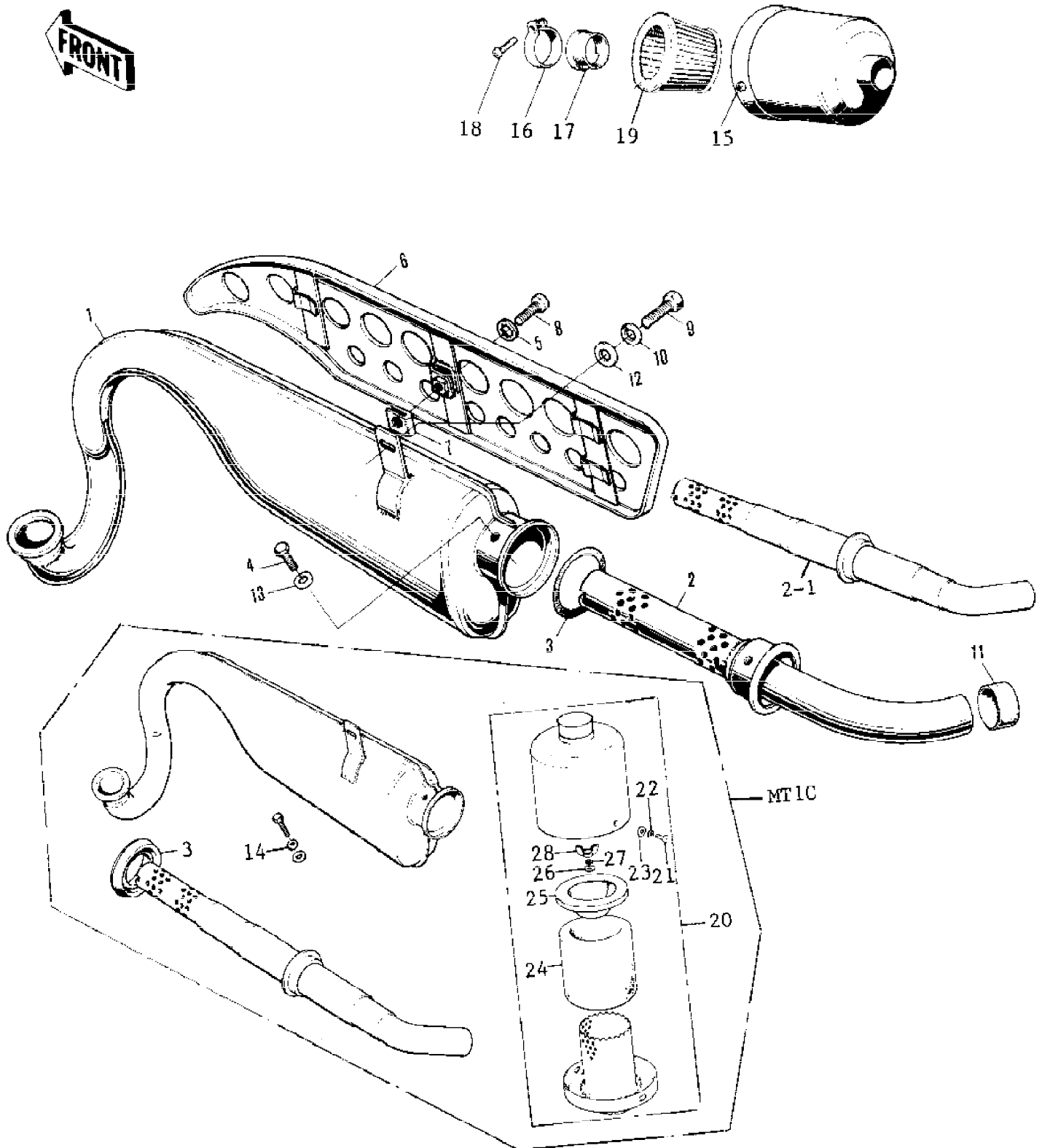


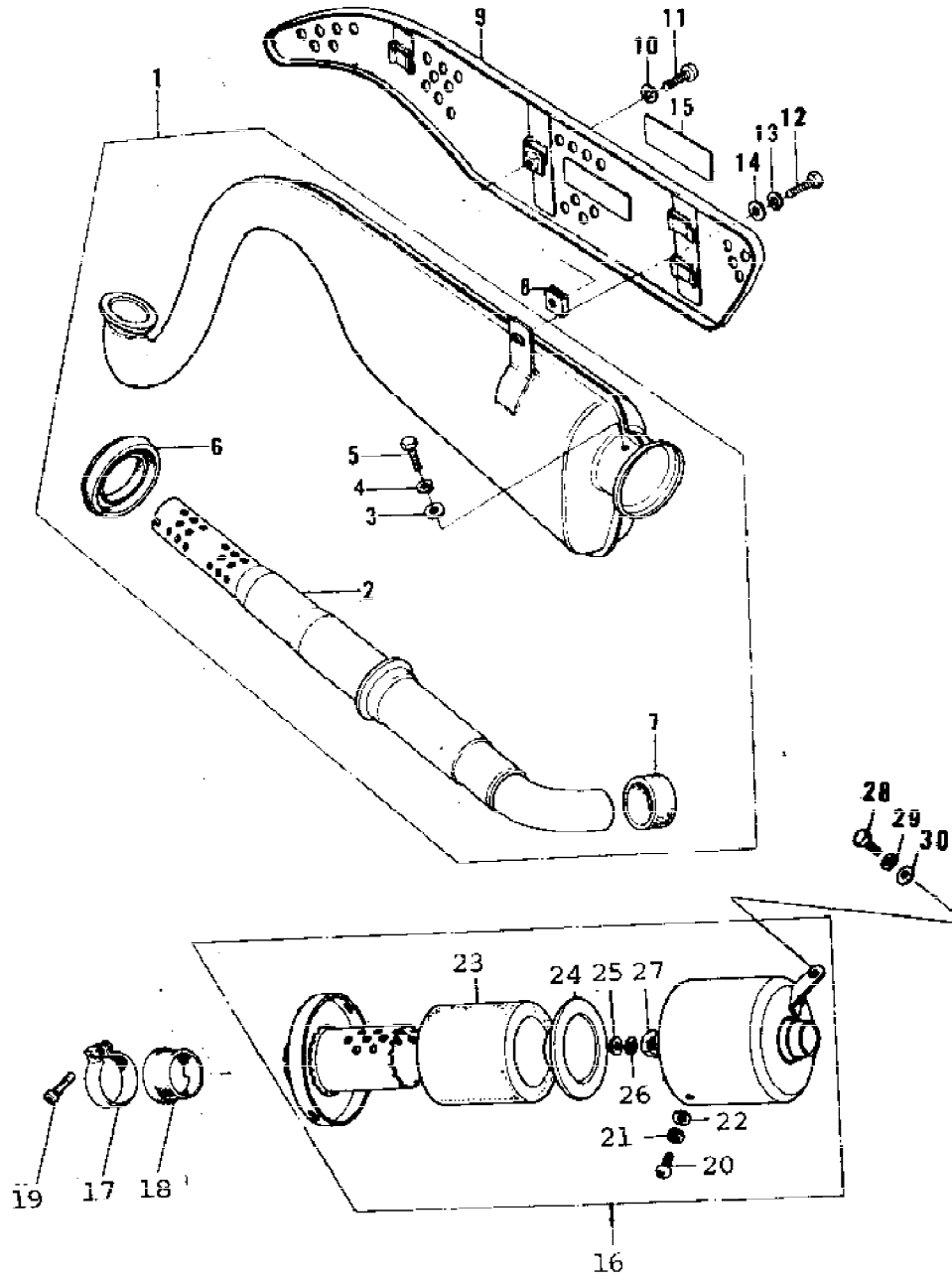
Kawasaki



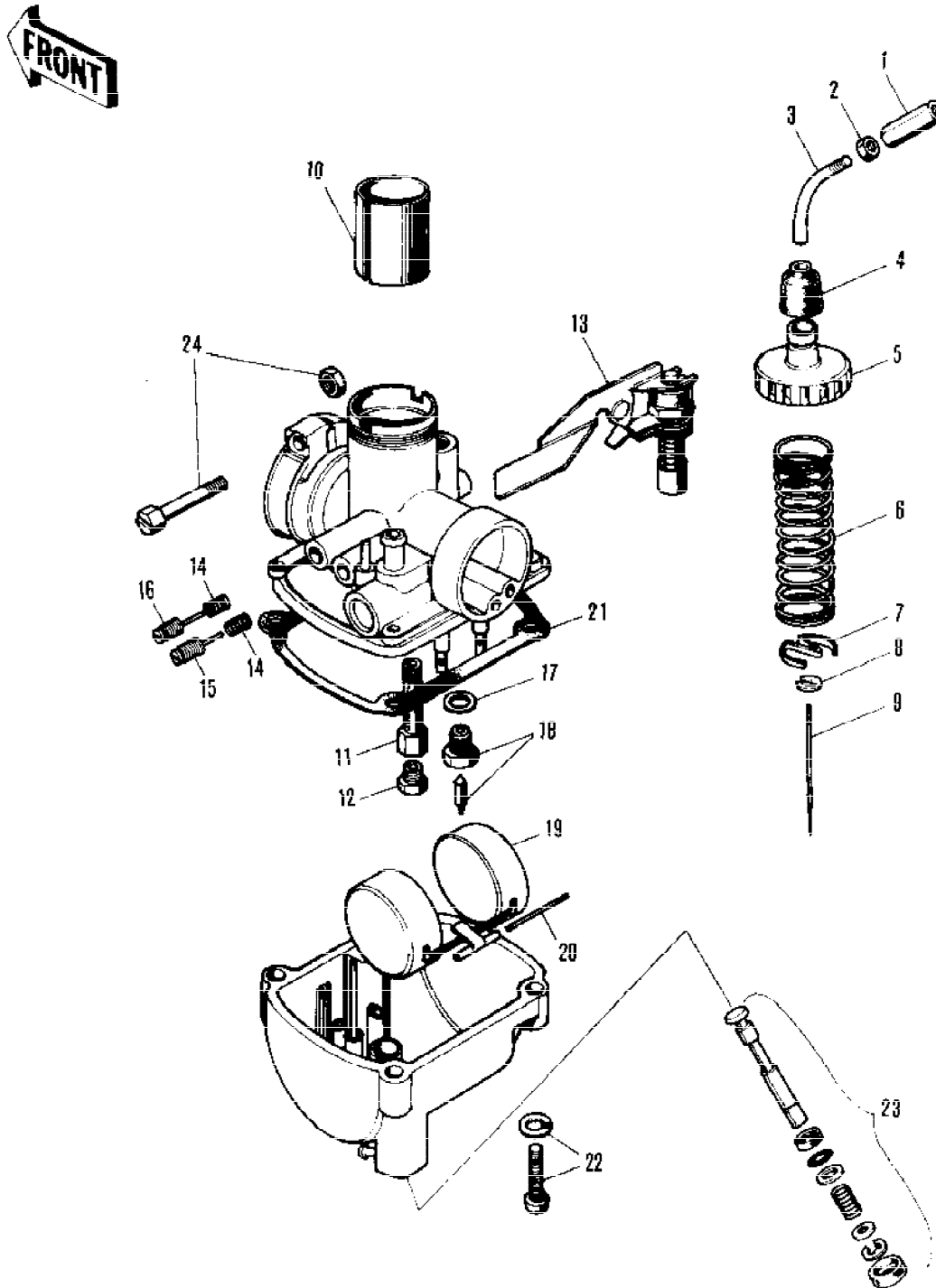
MT-1 & KV75
PARTS MANUAL



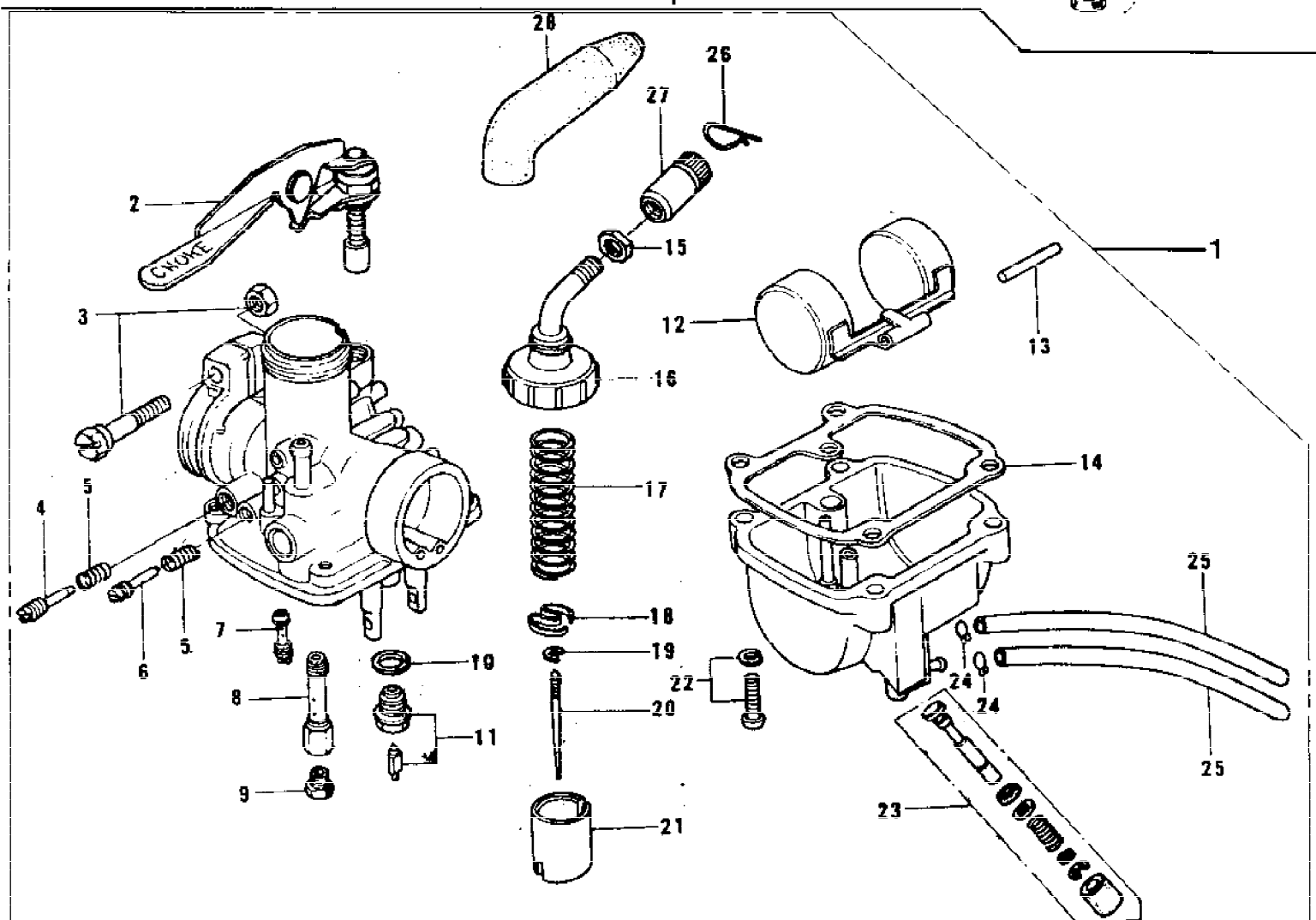
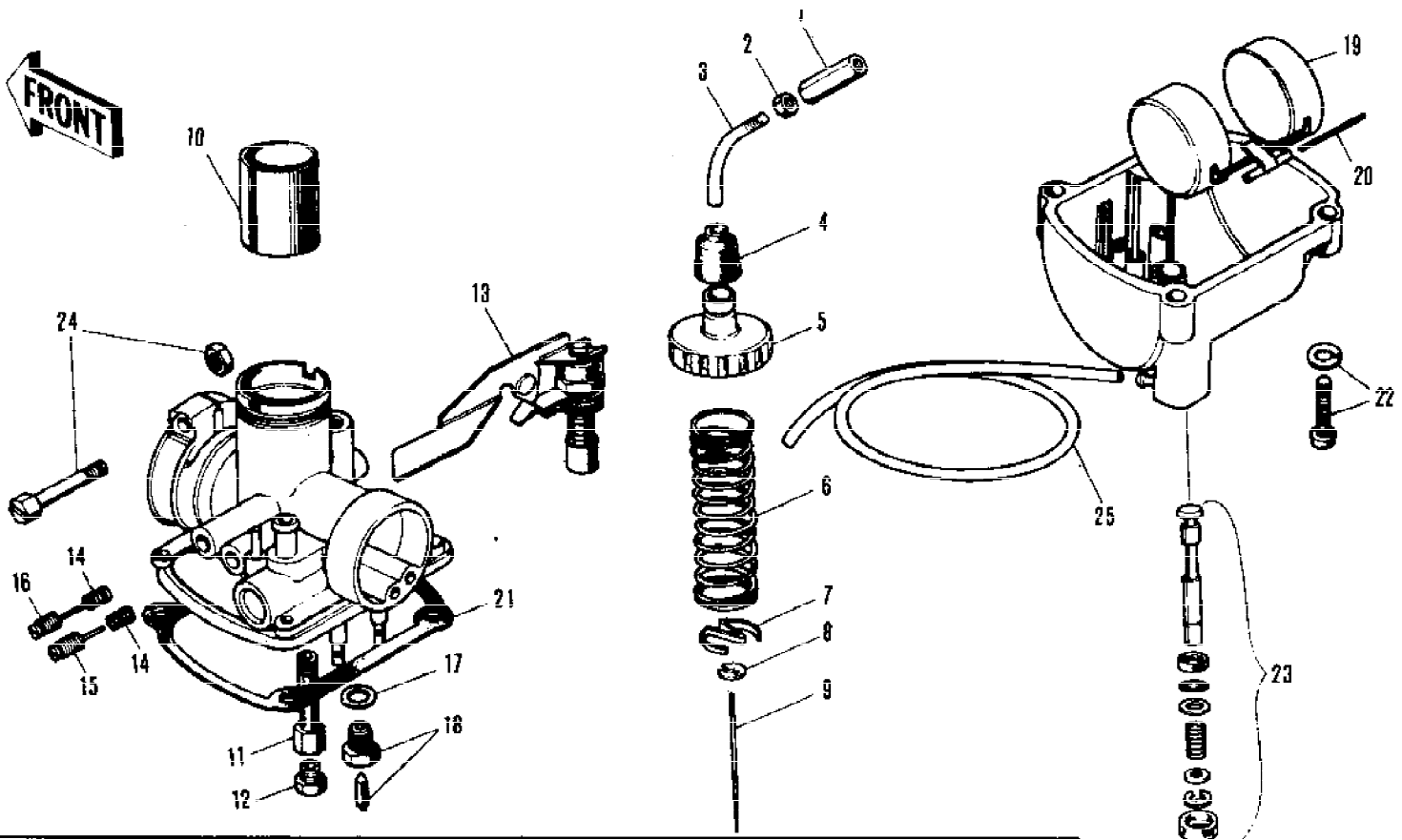
Ref #	Part Number	Qty	Description
1	18001-034	1	UNAVAILABLE IN PRICE BOOK Includes items 4 and 13; MT'
1	18001-079	1	MUFFLER ASSY Includes items 4 and 13; MT1A/B/C
2	18033-046	1	BAFFLE TUBE MT1
2-1	18033-060	1	BAFFLE TUBE MT1A/B/C
3	670B3036	1	"0" RING,36MM
3	92056-004	1	OIL SEAL MT1C
4	112G0610	1	BOLT,6X10 MT1
4	112B0608	1	BOLT-UPSET,6X8 MT1A/B/C
5	464H0600	1	WASHER LOCK 6MM MT1
5	463H0600	1	WASHER LOCK 6MM MT1A/B/C
6	18057-036-21	1	COVER-MUFFLER BLACK MT1/A
6	18057-048	1	COVER,MUFFLER MT1B/C
7	18065-009	1	INSULATOR-HEAT
8	220E0612	1	SCREW PAN HEAD 6X12
9	115G0820	1	BOLT,8X20
10	461F0800	1	WASHER SPRING 8MM
11	92073-012	1	CAP-RUBBER MT1
11	92073-021	1	CAP-MUFFLER RUBBER MT1A/B/C
12	411B0800	1	WASHER PLAIN 8MM
13	92022-183	1	WASHER-PLAIN
14	410B0600	1	WASHER PLAIN 6MM MT1C
15	11010-081	1	AIR CLEANER ASSY MT1/A/B
16	18045-002	1	HOLDER,CONNECT MT1/A/B
17	92092-1001	1	BUSHING,RUBBER MT1/A/B
18	220B0620	1	SCREW PAN HEAD 6X20 MT1/A/B
19	11010-081	1	AIR CLEANER ASSY MT1/A/B
20	11010-081	1	AIR CLEANER ASSY MT1C
21	220B0410	2	SCREW PAN HEAD 4X10 MT1C
22	461F0400	2	WASHER SPRING 4MM MT1C
23	410B0400	2	WASHER PLAIN 4MM MT1C
24	11013-048	1	ELEMENT,AIR,CLNR MT1C
25	11013-050	1	ELEMENT,AIR CLNR, TOP MT1C
26	410B0400	1	WASHER PLAIN 4MM MT1C
27	461F0400	1	WASHER SPRING 4MM MT1C
28	92015-074	1	NUT,WING,4MM MT1C



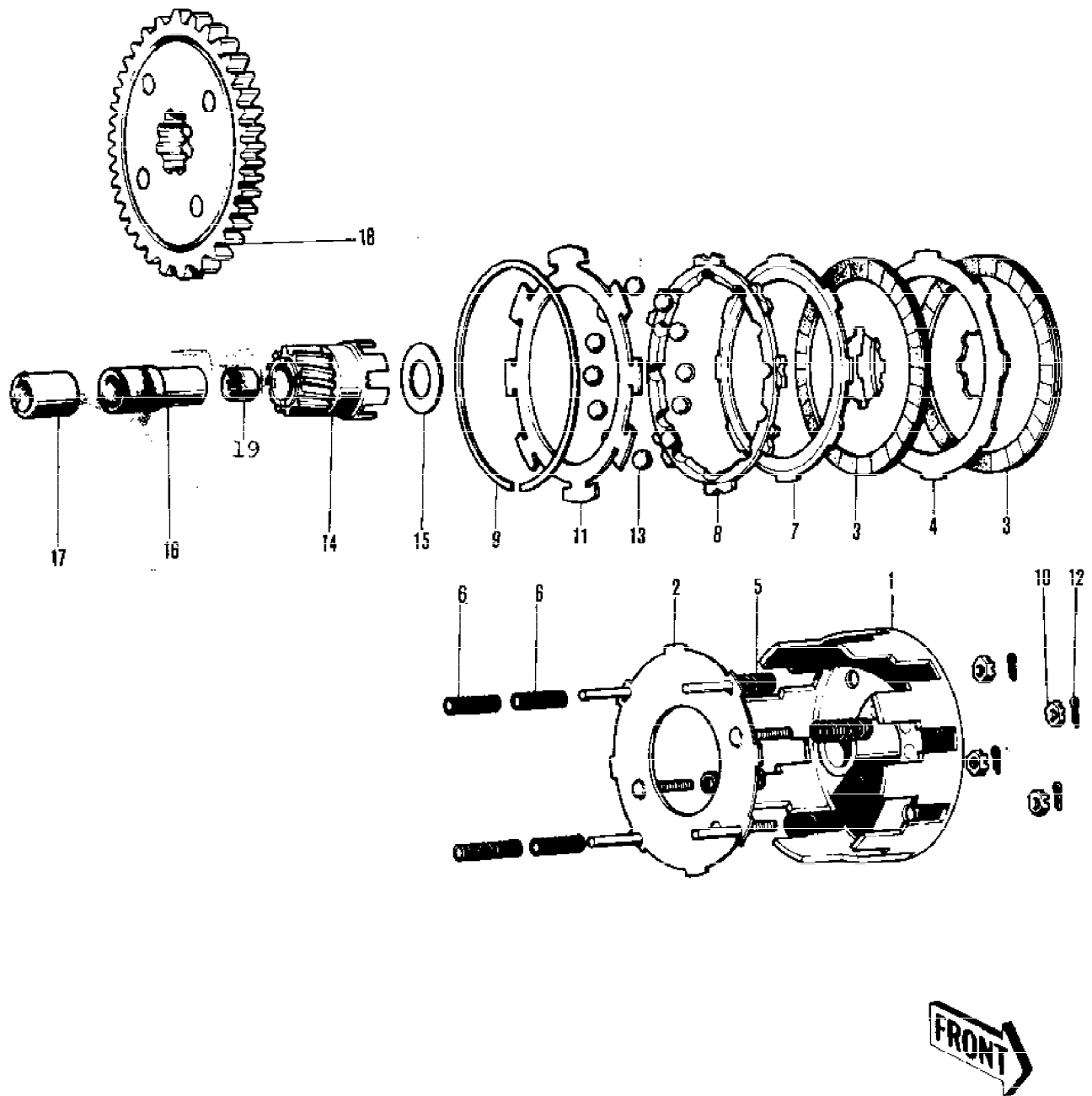
Ref #	Part Number	Qty	Description
1	18001-079	1	MUFFLER ASSY
2	18033-060	1	BAFFLE TUBE
3	92022-183	1	WASHER-PLAIN NYLON
4	410B0600	1	WASHER PLAIN 6MM
5	110B0608	1	BOLT HEX HEAD 6X8
6	92056-004	1	OIL SEAL
7	92073-021	1	CAP-MUFFLER RUBBER
8	18065-009	1	INSULATOR-HEAT
9	18057-048	1	COVER,MUFFLER
10	463H0600	1	WASHER LOCK 6MM
11	220E0612	1	SCREW PAN HEAD 6X12
12	115G0820	1	BOLT,8X20
13	461F0800	1	WASHER SPRING 8MM
14			UNKNOWN
15	56018-216	1	EMBLEM,OIL TANK
15	56018-1049	1	MARK,MUFFLER KV75-A9
16	11010-099	1	AIR CLEANER ASSY
17	18045-002	1	HOLDER,CONNECT
17	18045-002	1	HOLDER,CONNECT KV75-A9
18	92092-1001	1	BUSHING,RUBBER
18	92092-1001	1	BUSHING,RUBBER KV75-A7
19	220B0620	1	SCREW PAN HEAD 6X20
20	220B0410	2	SCREW PAN HEAD 4X10
21	461F0400	2	WASHER SPRING 4MM
22	410B0400	2	WASHER PLAIN 4MM
23	11013-048	1	ELEMENT,AIR,CLNR
24	11013-050	1	ELEMENT,AIR CLNR, TOP
25	410B0400	1	WASHER PLAIN 4MM
26	461F0400	1	WASHER SPRING 4MM
27	92015-074	1	NUT,WING,4MM
28	112G0612	1	BOLT-UPSET,6X12
29	461F0600	1	WASHER SPRING 6MM
30	411B0600	1	WASHER PLAIN 6MM



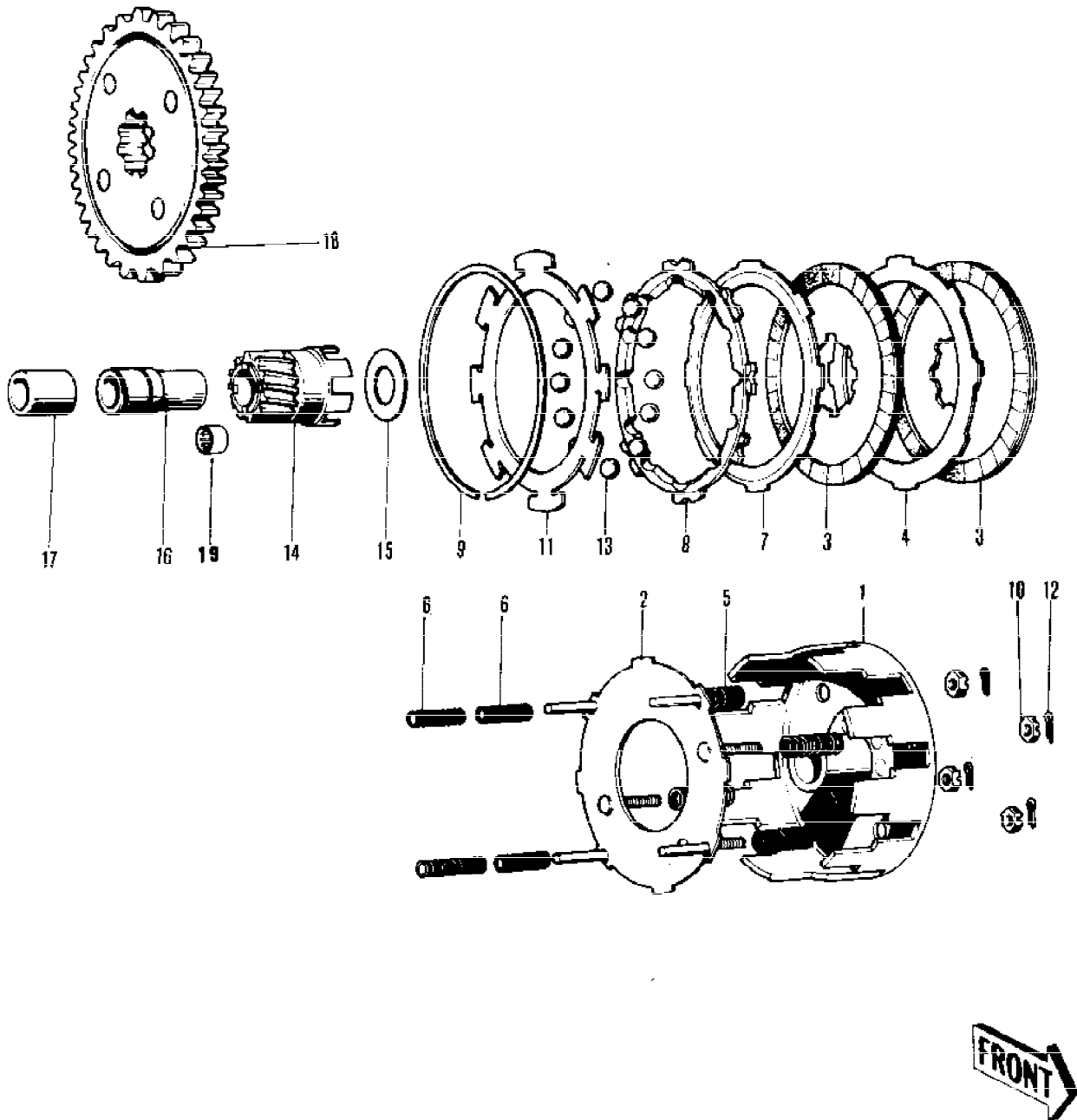
Ref #	Part Number	Qty	Description
	16001-129	1	CARBURETOR ASSY Includes items 1 - 25; VM158C
1	16002-004	1	CABLE ADJUSTER
2	16003-004	1	NUT CABLE ADJUST LOCK
3	16077-003	1	*** N.L.A.*** (Canada)
4	16037-001	1	CAP-RUBBER
5	16005-001	1	TOP-MIXING CHANBER
6	16006-001	1	SPRING-THROTTLE VALVE
7	16007-001	1	SPRING SEAT THRTL VLV
8	16008-010	1	CIRCLIP
9	16009-042	1	JET NEEDLE 3G9 3G9
10	16025-038	1	VALVE-THROTTLE CA2.0 C.A 20
11	16017-051	1	NEEDLE JET E-0 E-O
12	92063-110	1	MAIN JET NO 70M
13	16016-009	1	PLUNGER ASSY-STARTER
14	16022-007	2	SPRING-THR STOP SCREW
15	16021-001	1	SCREW STOP
16	16014-002	1	SCREW PILOT AIR ADJST
17	16029-002	1	WASHER VALVE SEAT
18	16030-002	1	FLOAT VALVE ASSY
19	16031-014	1	FLOAT
20	16032-003	1	FLOAT PIN
21	16019-011	1	GASKET
22	16033-012	4	SCREW-FLOAT CHAMBER
23	16064-001	1	EJECTOR ASSY-FUEL
24	16010-005	1	SCREW-CLAMP



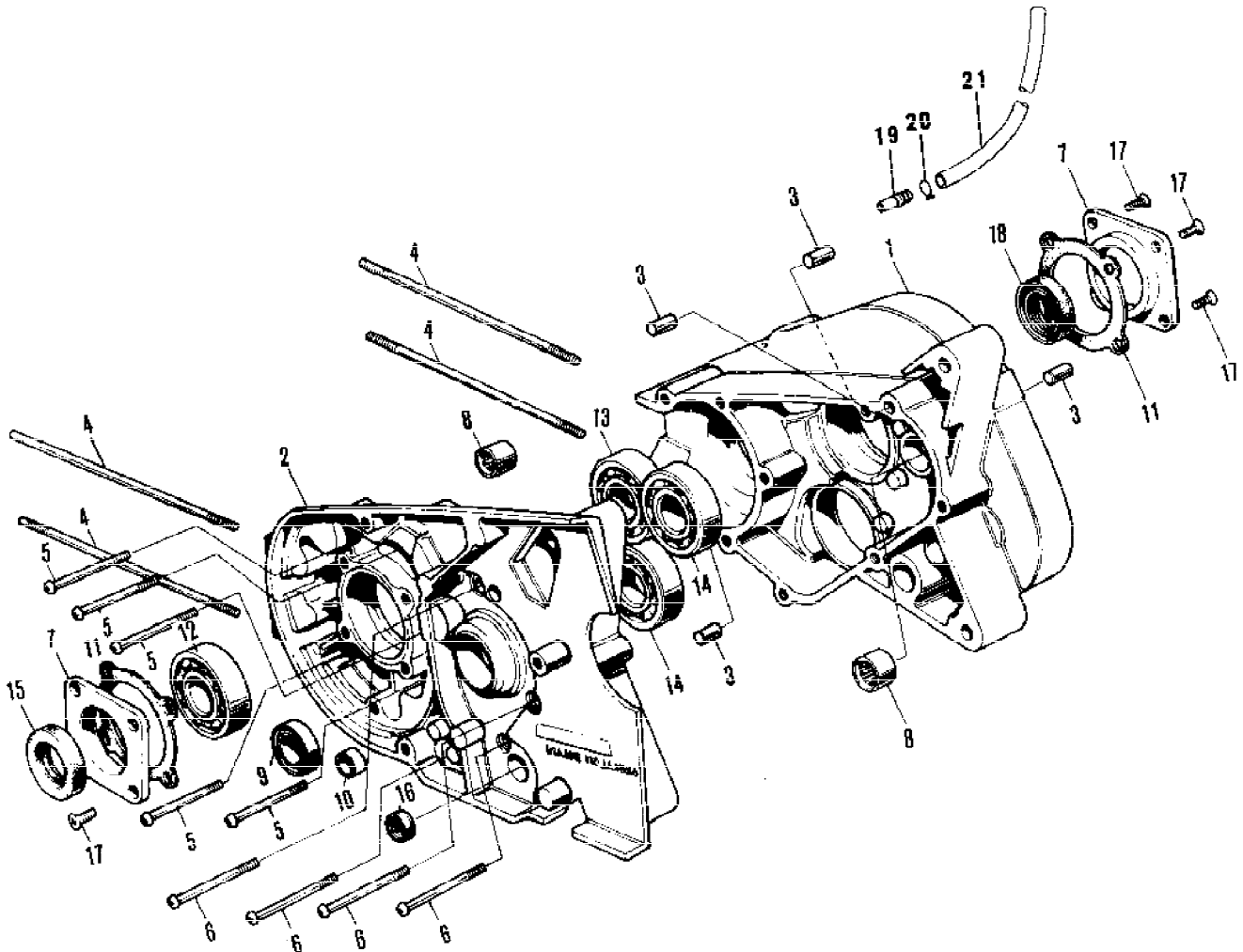
Ref #	Part Number	Qty	Description
	16001-129	1	CARBURETOR ASSY VM15SC
1	16002-004	1	CABLE ADJUSTER
2	16003-004	1	NUT CABLE ADJUST LOCK
3	16077-003	1	*** N.L.A.*** (Canada)
4	16037-001	1	CAP-RUBBER
5	16005-001	1	TOP-MIXING CHANBER
6	16006-001	1	SPRING-THROTTLE VALVE
7	16007-001	1	SPRING SEAT THRTL VLV
8	16008-010	1	CIRCLIP
9	16009-042	1	JET NEEDLE 3G9 3G9
10	16025-038	1	VALVE-THROTTLE CA2.0 C.A 2.0
11	16017-051	1	NEEDLE JET E-0 E-O
12	92063-110	1	MAIN JET NO 70M
13	16016-009	1	PLUNGER ASSY-STARTER
14	16022-007	2	SPRING-THR STOP SCREW
15	16021-001	1	SCREW STOP
16	16014-002	1	SCREW PILOT AIR ADJST
17	16029-002	1	WASHER VALVE SEAT
18	16030-002	1	FLOAT VALVE ASSY
19	16031-014	1	FLOAT
20	16032-003	1	FLOAT PIN
21	16019-011	1	GASKET
22	16033-012	4	SCREW-FLOAT CHAMBER
24	16010-005	1	SCREW-CLAMP
1	16001-1033	1	CARBURETOR ASSY KV75-A7
2	16016-009	1	PLUNGER ASSY-STARTER
3	16010-005	1	SCREW-CLAMP
4	16014-002	1	SCREW PILOT AIR ADJST
5	16022-007	2	SPRING-THR STOP SCREW
6	16021-001	1	SCREW STOP
7	92064-1018	1	PILOT JET,#A15
10	16029-002	1	WASHER VALVE SEAT
11	16030-002	1	FLOAT VALVE ASSY
12	16031-014	1	FLOAT
13	16032-003	1	FLOAT PIN
14	16019-011	1	GASKET
15	16003-006	1	NUT-CABLE ADJUST LOCK
16	16005-1003	1	TOP,MIXING CHAMBER
17	16006-001	1	SPRING-THROTTLE VALVE
18	16007-001	1	SPRING SEAT THRTL VLV
19	92037-1117	1	CLAMP,JET NEEDLE
19	92037-1043	1	CLAMP-TUBE KV75-A8
19	92037-1117	1	CLAMP,JET NEEDLE KV75-A9
20	16009-042	1	JET NEEDLE 3G9
21	16025-1004	1	VALVE,THROTTLE,CA2.0
22	16033-012	4	SCREW-FLOAT CHAMBER
23	16064-001	1	EJECTOR ASSY-FUEL
24	92037-1043	2	CLAMP-TUBE
25	92059-1015	2	TUBE,OVERFLOW,3X5X200
26	92036-018	1	CIRCLIP
27	16002-007	1	CABLE ADJUSTER
28	49006-1010	1	BOOTS,CABLE ADJUSTER



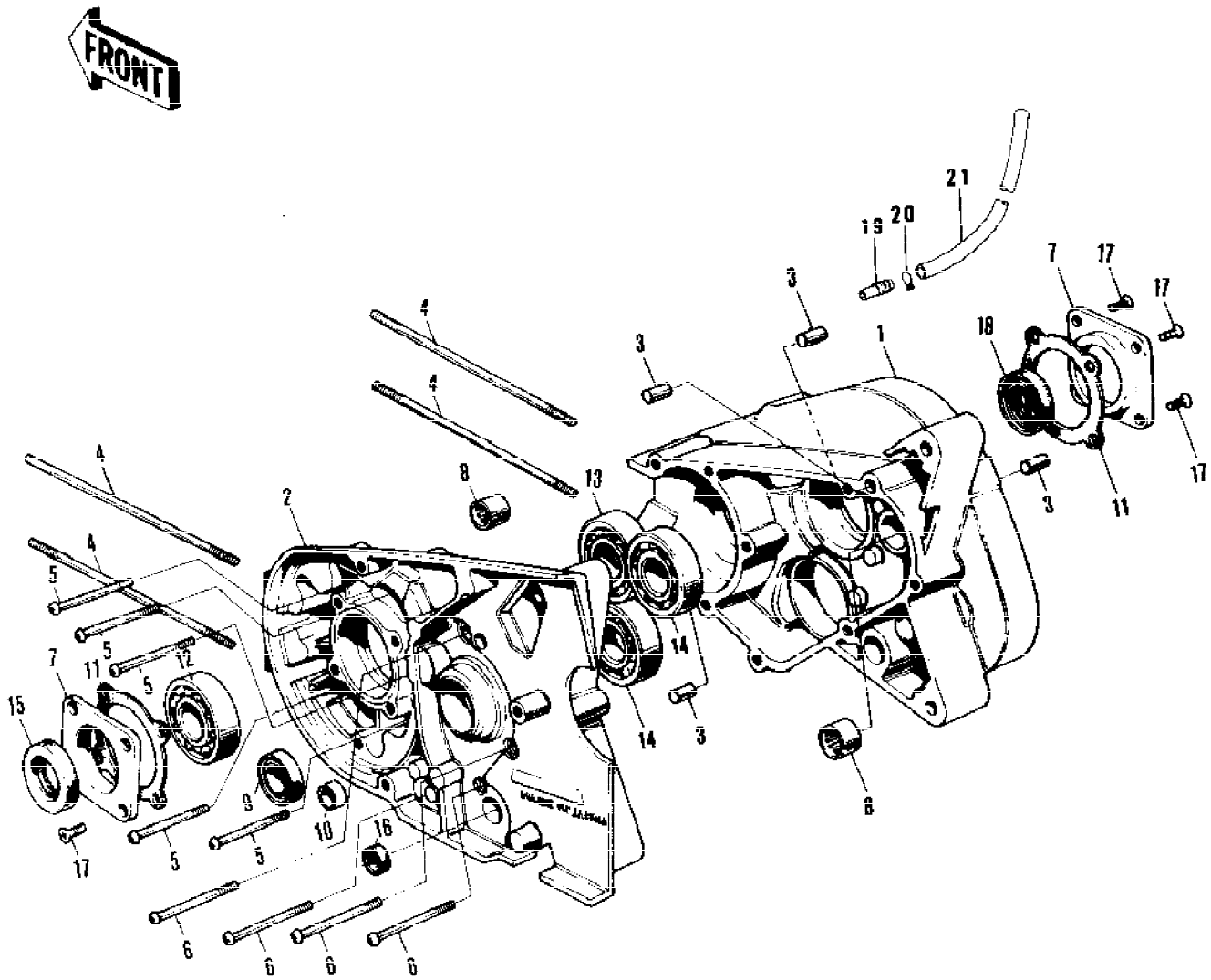
Ref #	Part Number	Qty	Description
	13081-036	1	CLUTCH-ASSY Includes items 1 - 13
1	13095-028	1	HOUSING-CLUTCH
2	13083-006	1	WHEEL-CLUTCH
3	13088-024	2	PLATE-CLUTCH FRICTION
4	13179-003	1	PLATE-CLUTCH STEEL
5	92081-086	3	SPRING-CLUTCH
6	92081-087	4	SPRING-RETURN
7	13189-003	1	PLATE-BALL HOLDER
8	13190-003	1	PLATE-BALL GUIDE
9	13191-003	1	CIRCLIP
10	13195-003	3	NUT,6MM
11	13198-003	1	PLATE-BALL HOLDER
12	550D1615	3	PIN COTTER 1.6X15
13	600A1200	16	BALL STEEL 3/8'
14	13084-003	1	HUB-CLUTCH Includes items 14 and 19
15	92022-142	1	WASHER
16	13215-005	1	BUSH-CLUTCH
17	92027-125	1	COLLAR
18	13216-004	1	GEAR ASSY-CLUTCH
19	92117-001	1	BEARING,N RC121610



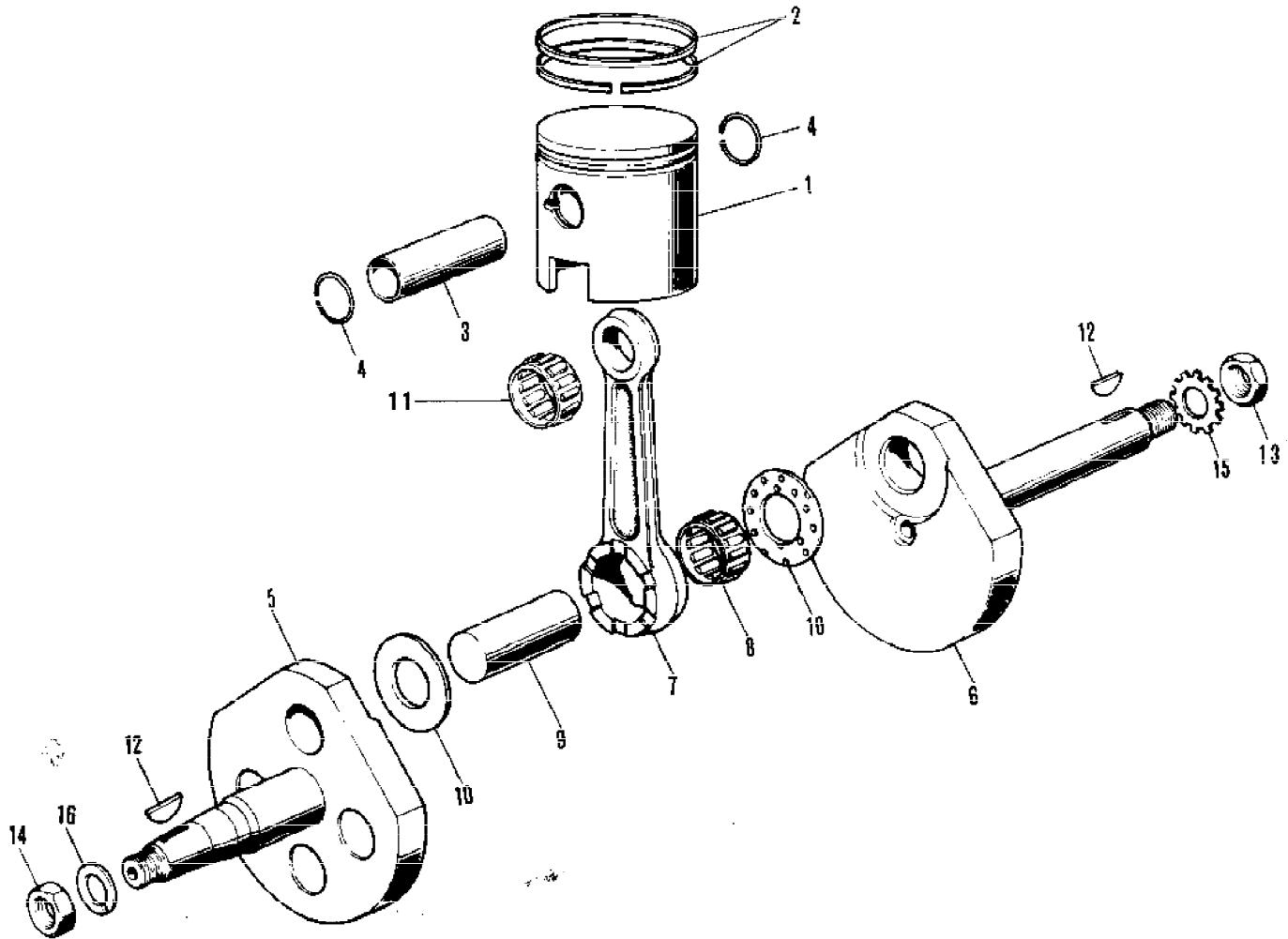
Ref #	Part Number	Qty	Description
	13081-036	1	CLUTCH-ASSY Includes items 1 - 13
1	13095-028	1	HOUSING-CLUTCH
2	13083-006	1	WHEEL-CLUTCH
3	13088-024	2	PLATE-CLUTCH FRICTION
4	13179-003	1	PLATE-CLUTCH STEEL
5	92081-086	3	SPRING-CLUTCH
6	92081-087	4	SPRING-RETURN
7	13189-003	1	PLATE-BALL HOLDER
8	13190-003	1	PLATE-BALL GUIDE
9	13191-003	1	CIRCLIP
10	13195-003	3	NUT,6MM
11	13198-003	1	PLATE-BALL HOLDER
12	550D1615	3	PIN COTTER 1.6X15
13	600A1200	16	BALL STEEL 3/8'
14	13084-003	1	HUB-CLUTCH
15	92022-142	1	WASHER
16	13215-005	1	BUSH-CLUTCH
17	92027-125	1	COLLAR
18	13216-004	1	GEAR ASSY-CLUTCH
19	92117-001	1	BEARING,N RC121610



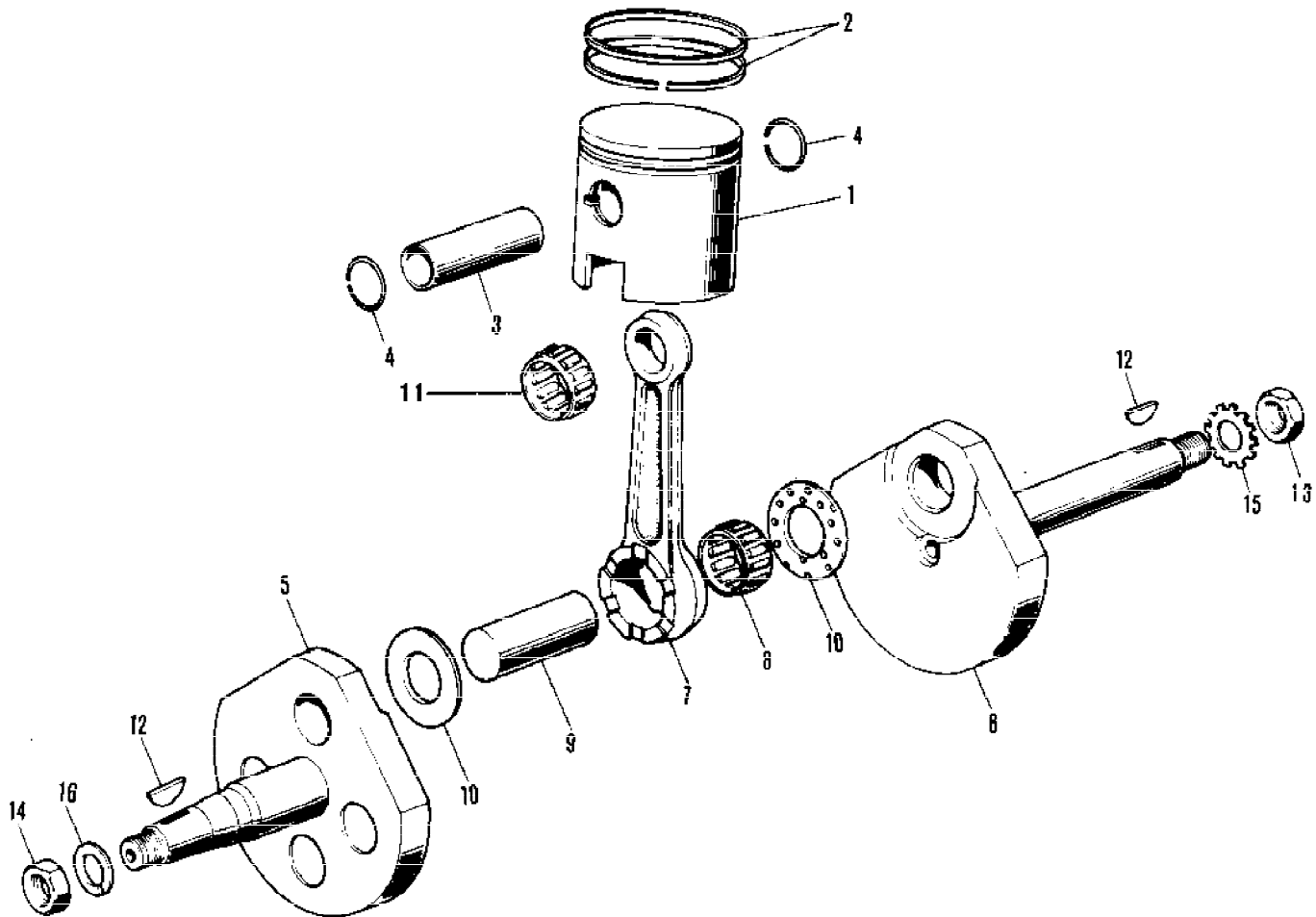
Ref #	Part Number	Qty	Description
1	14001-5008	1	CRANKCASE SET Includes items 1 - 3
1	14001-068	1	CRANKCASE SET Includes items 1 - 3; MT1C
3	551A0816	4	PIN DOWEL 8X16
4	92004-033	4	STUD,6X120
5	220B0635	5	SCREW PAN HEAD 6X35
6	220B0660	4	SCREW PAN HEAD 6X60
7	14020-009	2	RETAINER-OIL SEAL
8	92046-024	2	NEEDLE BEARING-SM END
9	92049-1048	1	OIL SEAL,SC22325
10	92053-001	1	OIL SEAL VB14246
11	14023-002	2	GASKET-OIL SEAL RETNR
12	601B6204	1	BEARING BALL #6204
13	601B6303	1	BEARING BALL #6303
14	601B6203	2	BEARING BALL #6203
15	653B203508	1	OIL SEAL TB20358
16	92049-004	1	OIL SEAL SB12205
17	221B0614	8	SCREW CNTSNK HD 6X14
18	653B243508	1	OIL SEAL TB24358
19	14069-006	1	BREATHER MT1C
20	92037-078	1	CLAMP,BREATHER PIPE MT1C
21	700Q04500	1	TUBE,VINYL,4X500 MT1C



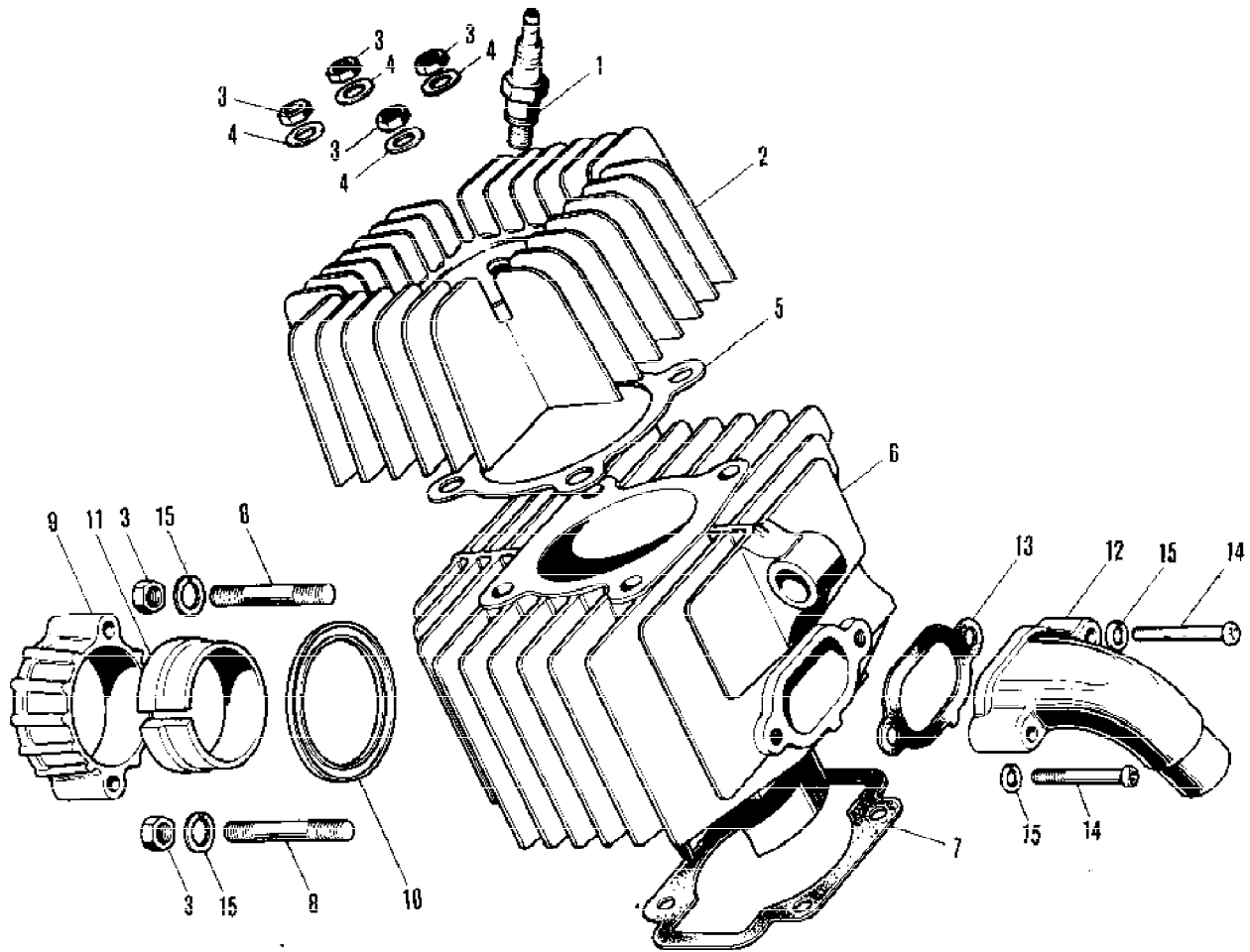
Ref #	Part Number	Qty	Description
1	14001-068	1	CRANKCASE SET Includes items 1 - 3
3	551A0816	4	PIN DOWEL 8X16
4	92004-033	4	STUD,6X120
5	220B0635	5	SCREW PAN HEAD 6X35
6	220B0660	4	SCREW PAN HEAD 6X60
7	14020-009	2	RETAINER-OIL SEAL
8	92046-024	2	NEEDLE BEARING-SM END
9	92049-1048	1	OIL SEAL,SC22325
9	92049-1048	1	OIL SEAL,SC22325 KV75-A9
10	92053-001	1	OIL SEAL VB14246
11	14023-002	2	GASKET-OIL SEAL RETNR
12	601B6204	1	BEARING BALL #6204
13	601B6303	1	BEARING BALL #6303
14	601B6203	2	BEARING BALL #6203
15	653B203508	1	OIL SEAL TB20358
16	92049-004	1	OIL SEAL SB12205
17	221B0614	8	SCREW CNTSNK HD 6X14
18	653B243508	1	OIL SEAL TB24358
19	14069-006	1	BREATHER
20	92037-078	1	CLAMP,BREATHER PIPE
21	700Q04500	1	TUBE,VINYL,4X500



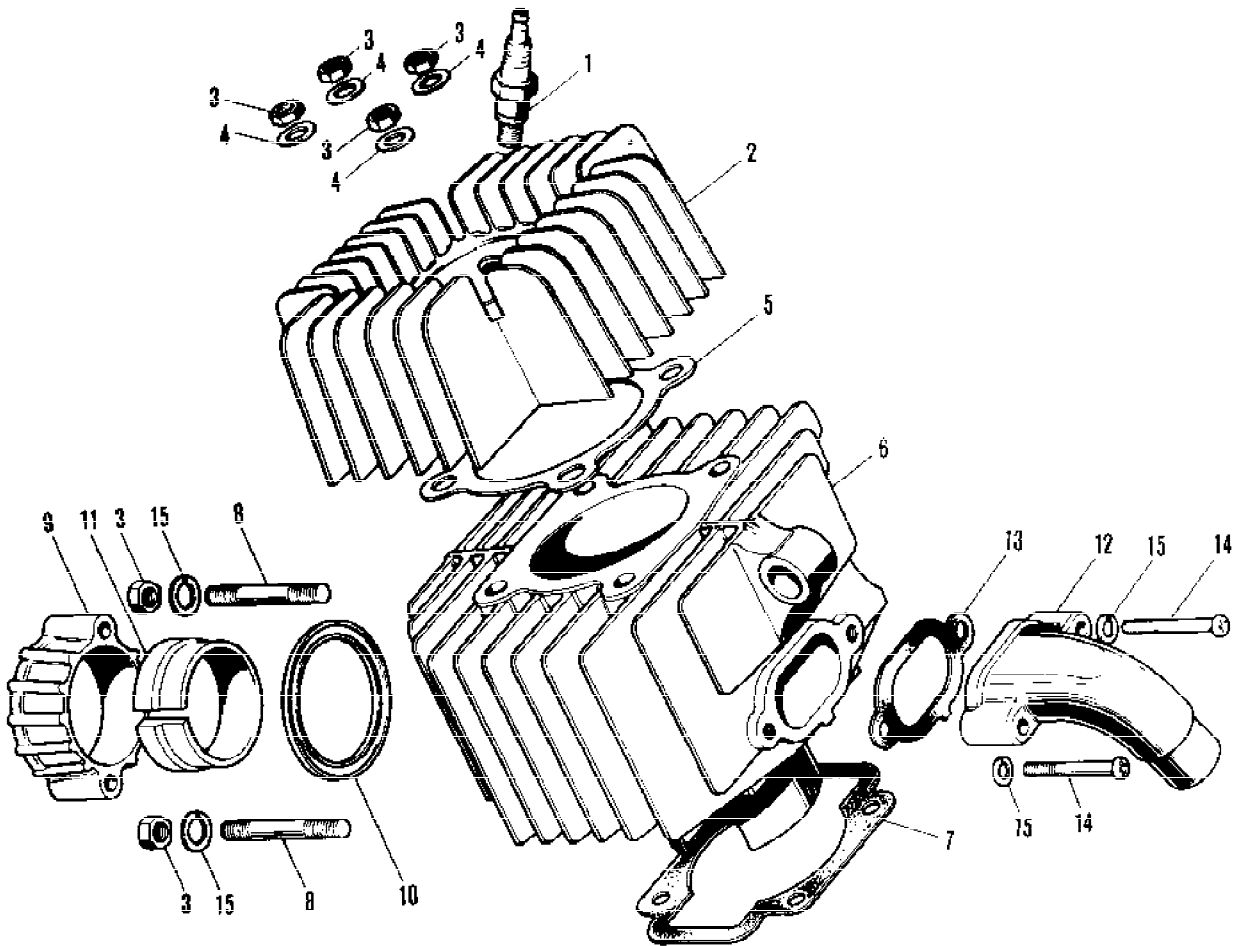
Ref #	Part Number	Qty	Description
1	13001-047	1	PISTON,STD SIZE MARK STD
1	13029-047	1	PISTON,0.020' O.S SIZE MARK 50
1	13027-027	1	PISTON,0.040' O.S SIZE MARK 100
2	13008-029	1	RING SET,STD SIZE MARK STD
2	13025-034	1	RING SET,0.020' O.S SIZE MARK 50
2	13024-037	1	RING SET,0.040' O.S SIZE MARK 100
3	13002-019	1	PIN-PISTON
4	92036-007	2	CIRCLIP PISTON PIN
	13036-030	1	CRANK - CONROD ASSY Includes items 5 - 10
5	13037-043	1	CRANKSHAFT L.H
6	13038-039	1	CRANKSHAFT R.H
7	13044-015	1	CONNECTING ROD SET Includes items 7 - 10
8	13034-002	1	NEEDLE BEARING-BG END
9	13035-024	1	CRANK PIN
10	92026-002	2	WASHER-SIDE
11	13033-028	1	BRG N72KTV030
12	92038-001	2	WOODRUFF KEY
13	92016-024	1	NUT,12MM
14	314B1000	1	NUT,10MM
15	464H1200	1	WASHER LOCK 12MM
16	461F1000	1	WASHER SPRING 10MM



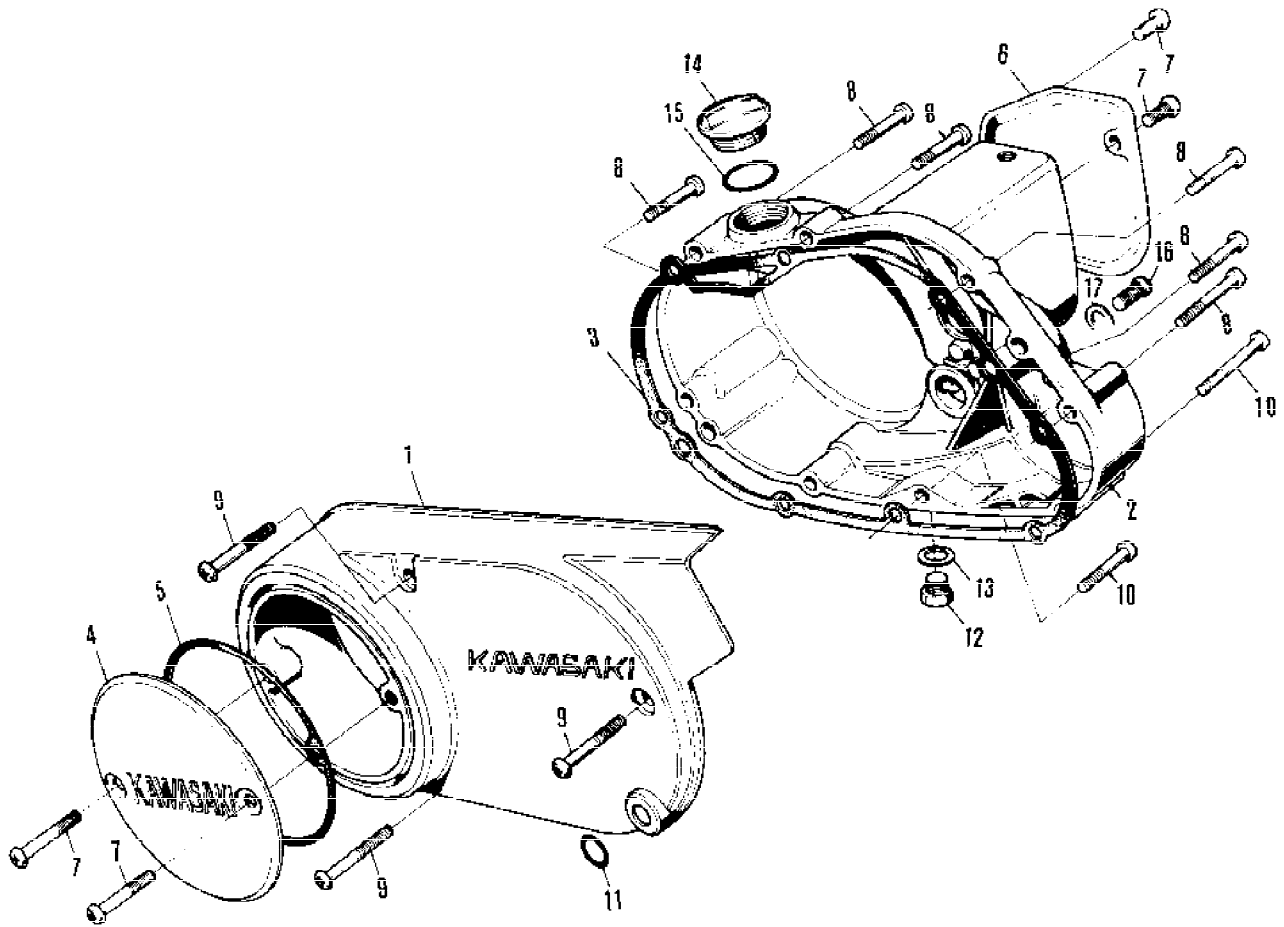
Ref #	Part Number	Qty	Description
1	13001-047	1	PISTON,STD SIZE MARK STD
1	13029-047	1	PISTON,0.020' O.S SIZE MARK 50
1	13027-027	1	PISTON,0.040' O.S SIZE MARK 100
2	13008-029	1	RING SET,STD SIZE MARK STD
2	13025-034	1	RING SET,0.020' O.S SIZE MARK 50
2	13024-037	1	RING SET,0.040' O.S SIZE MARK 100
3	13002-019	1	PIN-PISTON
4	92036-007	2	CIRCLIP PISTON PIN
	13036-030	1	CRANK - CONROD ASSY Includes items 5 - 10
5	13037-043	1	CRANKSHAFT L.H
6	13038-039	1	CRANKSHAFT R.H
7	13044-015	1	CONNECTING ROD SET Includes items 7 - 10
8	13034-002	1	NEEDLE BEARING-BG END
9	13035-024	1	CRANK PIN
10	92026-002	2	WASHER-SIDE
11	13033-028	1	BRG N72KTV030 72KTV030
12	92038-001	2	WOODRUFF KEY
13	92016-024	1	NUT,12MM
14	314B1000	1	NUT,10MM
15	464H1200	1	WASHER LOCK 12MM
16	461F1000	1	WASHER SPRING 10MM



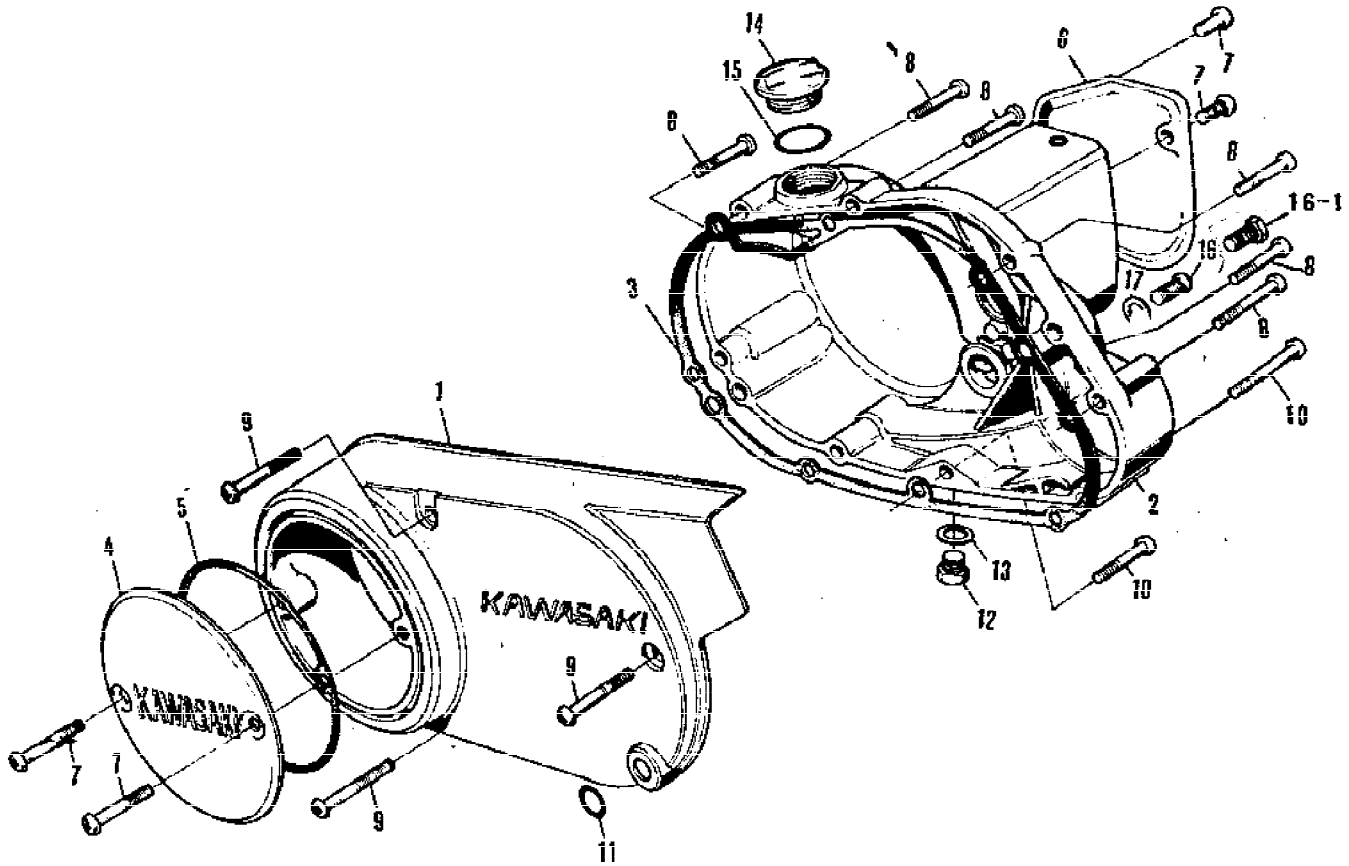
Ref #	Part Number	Qty	Description
1	B7HS	1	SPARK PLUG B7HS NGK B-7H
2	11001-014	1	CYLINDER HEAD
3	311B0600	6	NUT 6MM
4	411B0600	4	WASHER PLAIN 6MM
5	11004-014	1	GASKET-CYLINDER HEAD
6	11005-078	1	CYLINDER
7	11009-008	1	GASKET-CYCLINDER BASE
8	172G0630	2	STUD,6X30
9	18069-035-21	1	HOLDER,EX PIPE,BLACK
10	11009-1866	1	GASKET,EXHAUST PIPE H
11	18070-005	1	INSERT-EXHAUST HOLDER
12	11015-023	1	INLET PIPE
13	11017-003	1	GASKET-INLET PIPE
14	220B0625	2	SCREW PAN HEAD 6X25
15	461F0600	4	WASHER SPRING 6MM



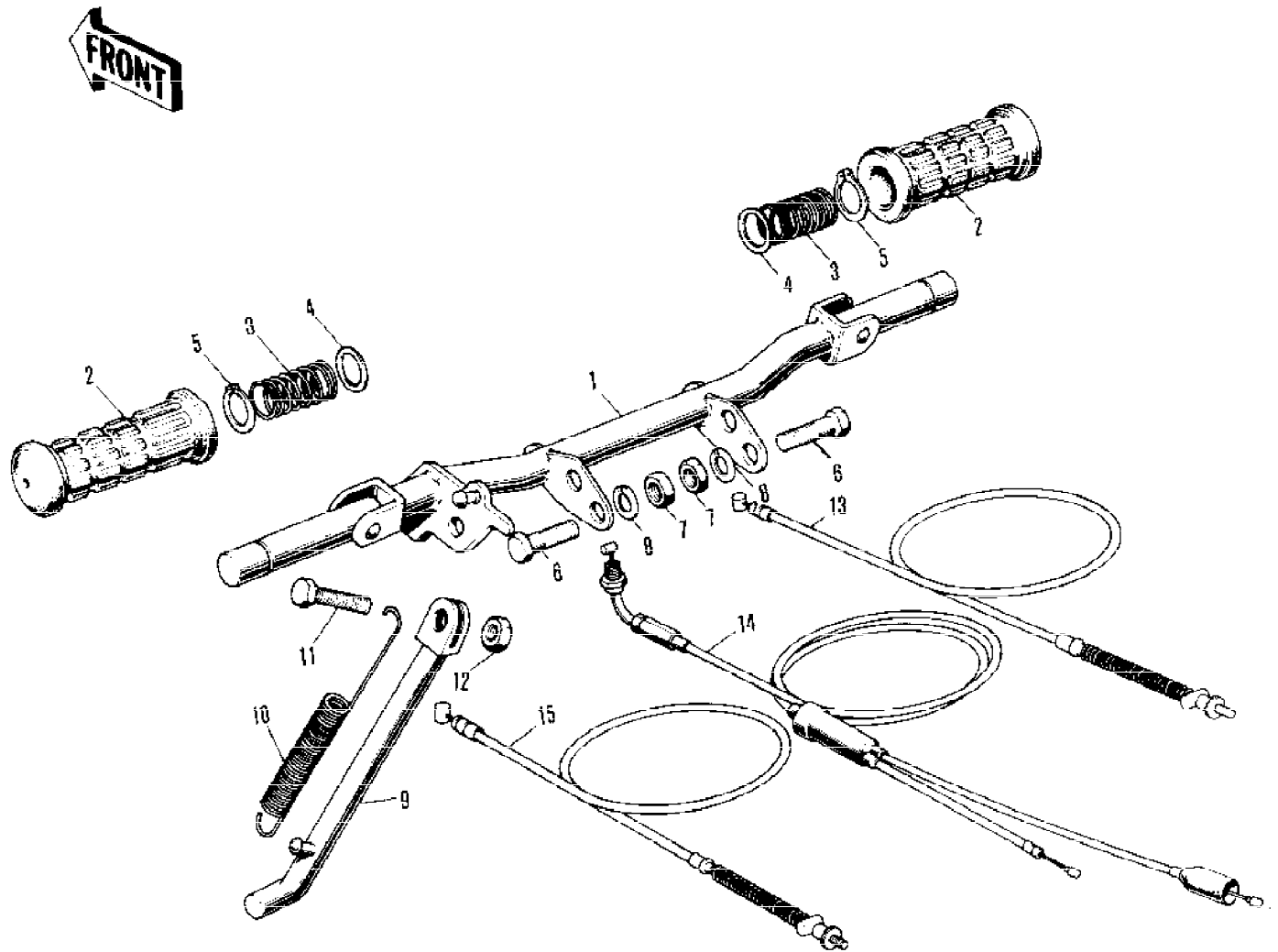
Ref #	Part Number	Qty	Description
1	B7HS	1	SPARK PLUG B7HS NGK B-7H
2	11001-014	1	CYLINDER HEAD
3	311B0600	6	NUT 6MM
4	411B0600	4	WASHER PLAIN 6MM
5	11004-014	1	GASKET-CYLINDER HEAD
6	11005-078	1	CYLINDER
7	11009-008	1	GASKET-CYCLINDER BASE
8	172G0630	2	STUD,6X30
9	18069-035-21	1	HOLDER,EX PIPE,BLACK
10	11009-1866	1	GASKET,EXHAUST PIPE H
11	18070-005	1	INSERT-EXHAUST HOLDER
12	11015-023	1	INLET PIPE
13	11017-003	1	GASKET-INLET PIPE
14	220B0625	2	SCREW PAN HEAD 6X25
15	461F0600	4	WASHER SPRING 6MM



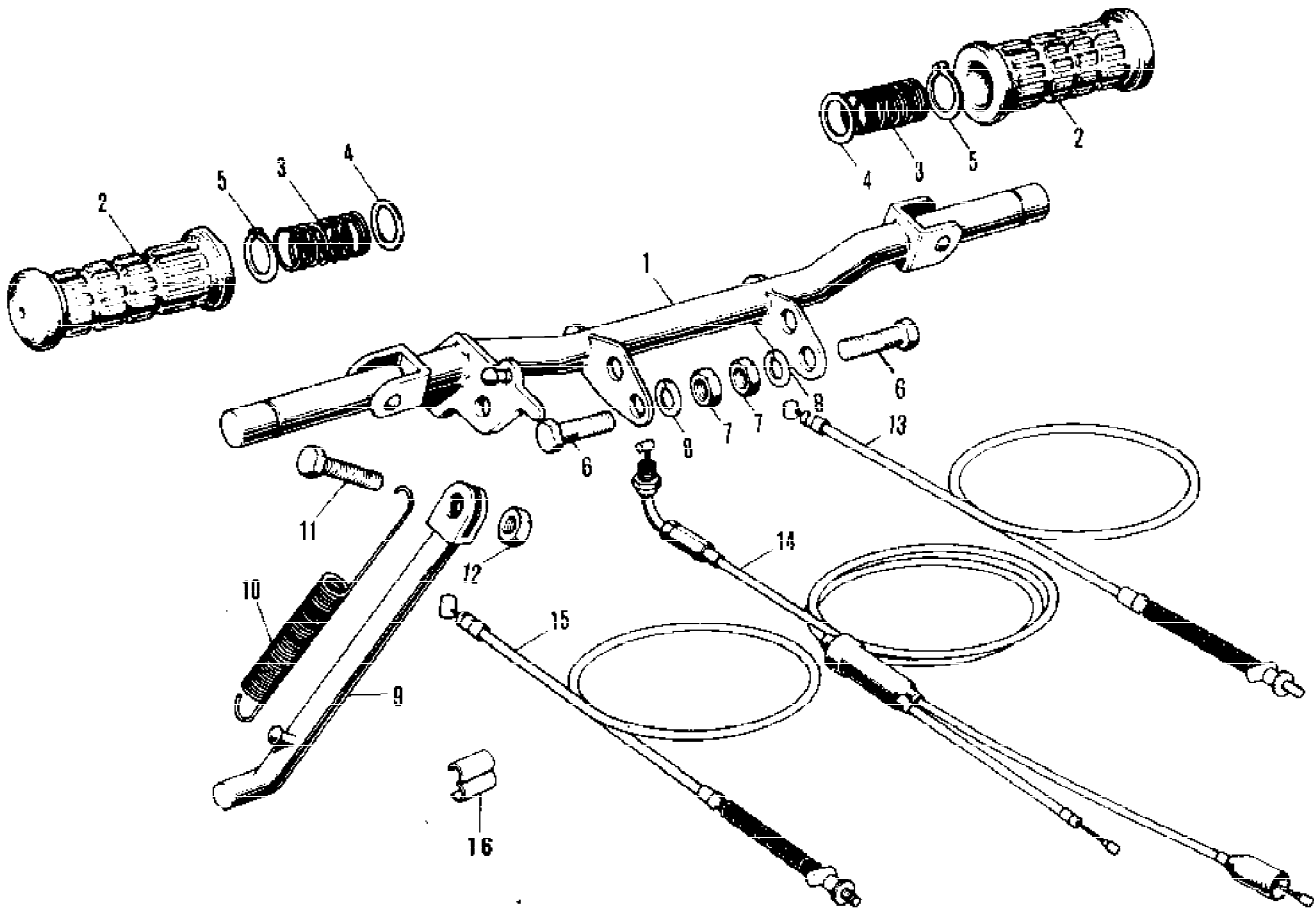
Ref #	Part Number	Qty	Description
1	14031-1008	1	COVER,L.H.ENGINE
1	14031-039-2H	1	UNAVAILABLE IN PRICE BOOK MT1C BARREL
2	14032-1003	1	COVER,R.H.ENGINE
2	14032-058-2H	1	UNAVAILABLE IN PRICE BOOK MT1C BARREL
3	14046-002	1	GASKET-R.H ENGINE COV
4	14027-007-79	1	COVER-BRK POINT,CR
5	14050-002	1	GASKET BREAKER COVER
6	14030-026	1	COVER-OIL PUMP
6	14030-026-2H	1	UNAVAILABLE IN PRICE BOOK MT1C BARREL
7	220B0612	4	SCREW PAN HEAD 6X12
8	220B0630	6	SCREW PAN HEAD 6X30
9	220B0645	3	SCREW PAN HEAD 6X45
10	220B0650	2	SCREW PAN HEAD 6X50
11	670B2012	2	"O" RING,12MM
12	92067-001	1	PLUG OIL DRAIN
13	92065-058	1	GASKET CHECK VALVE
14	92068-005	1	PLUG-OIL FILLER
15	92055-026	1	"O" RING,OIL FIL PLUG
16	220B0608	1	SCREW PAN HEAD 6X8
17	92065-035	1	GASKET OIL LEVEL SCRW



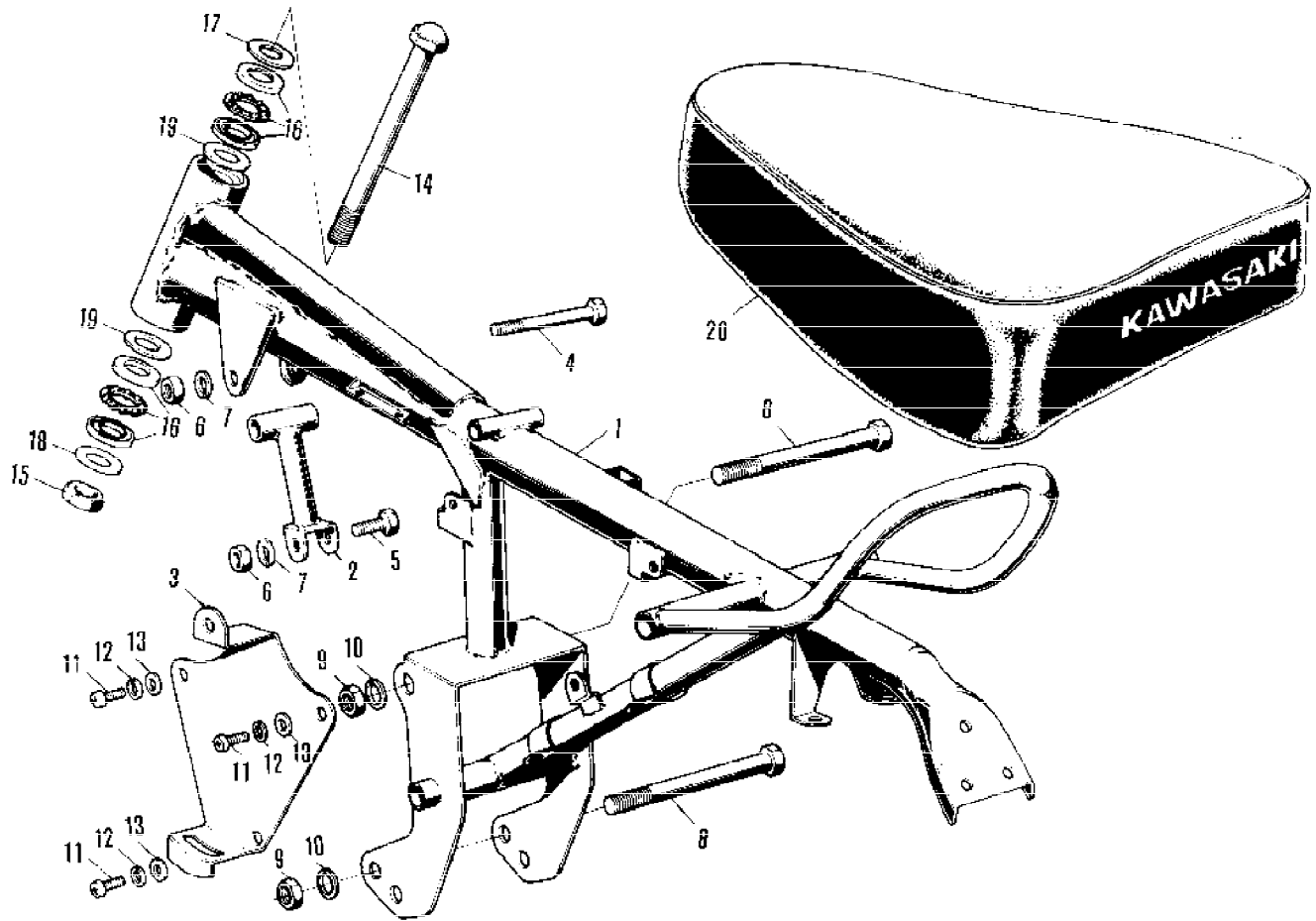
Ref #	Part Number	Qty	Description
1	14031-1008	1	COVER,L.H.ENGINE BARREL
1	14031-1008	1	COVER,L.H.ENGINE KV75-A7
2	14032-1003	1	COVER,R.H.ENGINE BARREL
2	14032-1003	1	COVER,R.H.ENGINE KV75-A7
3	14046-002	1	GASKET-R.H ENGINE COV
4	14027-007-79	1	COVER-BRK POINT,CR
5	14050-002	1	GASKET BREAKER COVER
6	14030-026	1	COVER-OIL PUMP BARREL
7	220B0612	4	SCREW PAN HEAD 6X12
8	220B0630	6	SCREW PAN HEAD 6X30
9	220B0645	3	SCREW PAN HEAD 6X45
10	220B0650	2	SCREW PAN HEAD 6X50
11	670B2012	2	"O" RING,12MM
12	92067-001	1	PLUG OIL DRAIN
13	92065-058	1	GASKET CHECK VALVE
13	92065-058	1	GASKET CHECK VALVE KV75-A8
14	92068-005	1	PLUG-OIL FILLER
15	92055-026	1	"O" RING,OIL FIL PLUG
16	220B0608	1	SCREW PAN HEAD 6X8
16-1	92001-121	1	BOLT,HEX HEAD,6X14 KV75-A9
17	92065-035	1	GASKET OIL LEVEL SCRW
17	92022-077	1	WASHER OIL PUMP BANJO KV75-A9



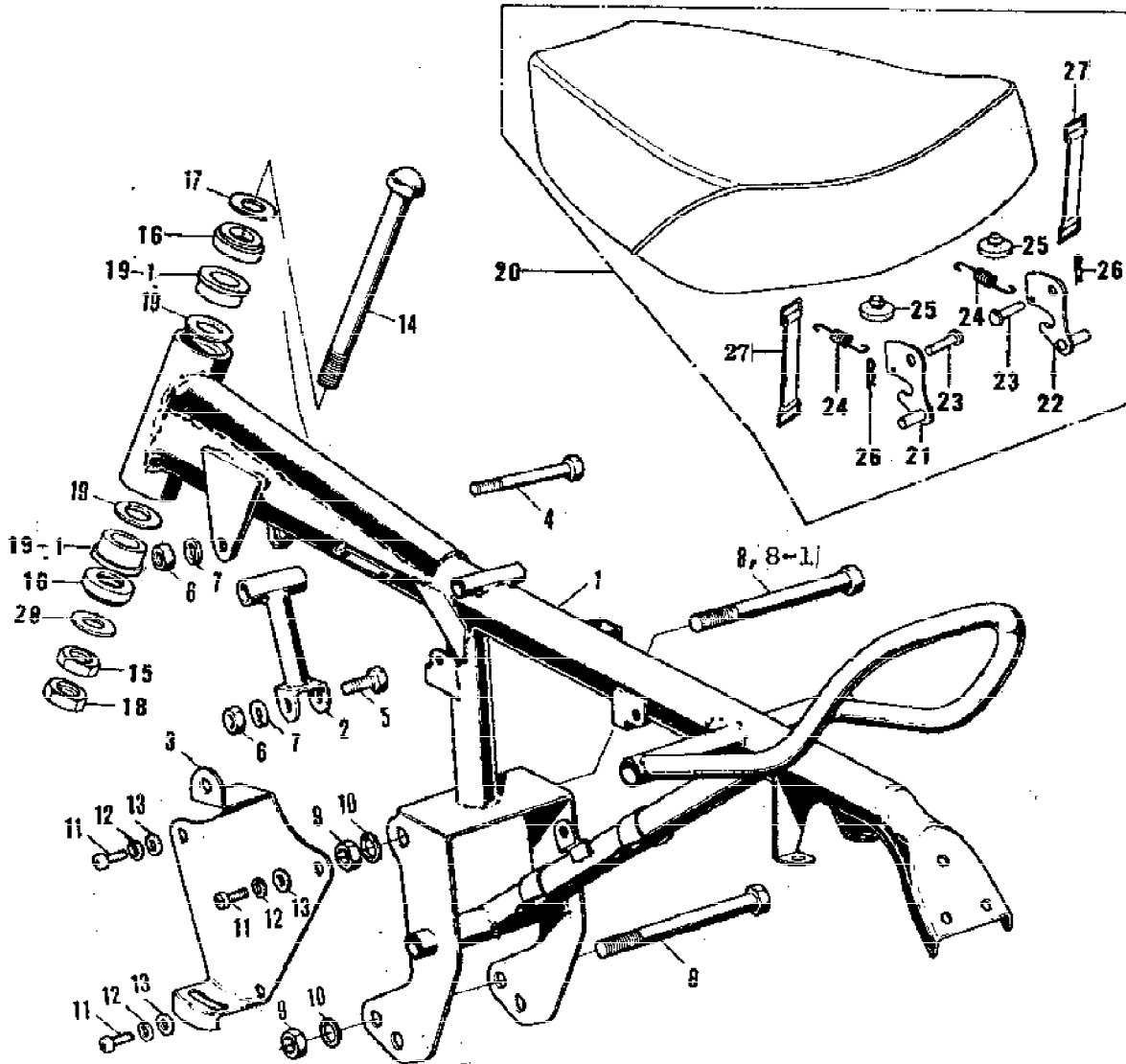
Ref #	Part Number	Qty	Description
1	34002-029	1	BAR-FOOTREST
2	92076-006	2	RUBBER FOOTREST
3	34006-002	2	SPRING FOOTREST PEG
4	92022-049	2	WASHER FOLDING PEG
5	480J1600	2	CIRCLIP 16MM
6	113G1018	2	BOLT,HEX HEAD,10X18
7	314B1000	2	NUT,10MM
7	314B1000	2	NUT,10MM MT1C
8	461F1000	2	WASHER SPRING 10MM
9	34024-050	1	STAND-SIDE
9	34024-050	1	STAND-SIDE MT1C
10	34023-005	1	SPRING MAIN STAND
11	113G1028	1	BOLT,10X28
11	113G1025	1	BOLT,HEX HEAD,10X25 MT1C
12	315B1000	2	NUT 10MM
13	54005-058	1	CABLE-FRONT BRAKE
14	54012-129	1	CABLE,THROTTLE
15	54022-020	1	CABLE-REAR BRAKE



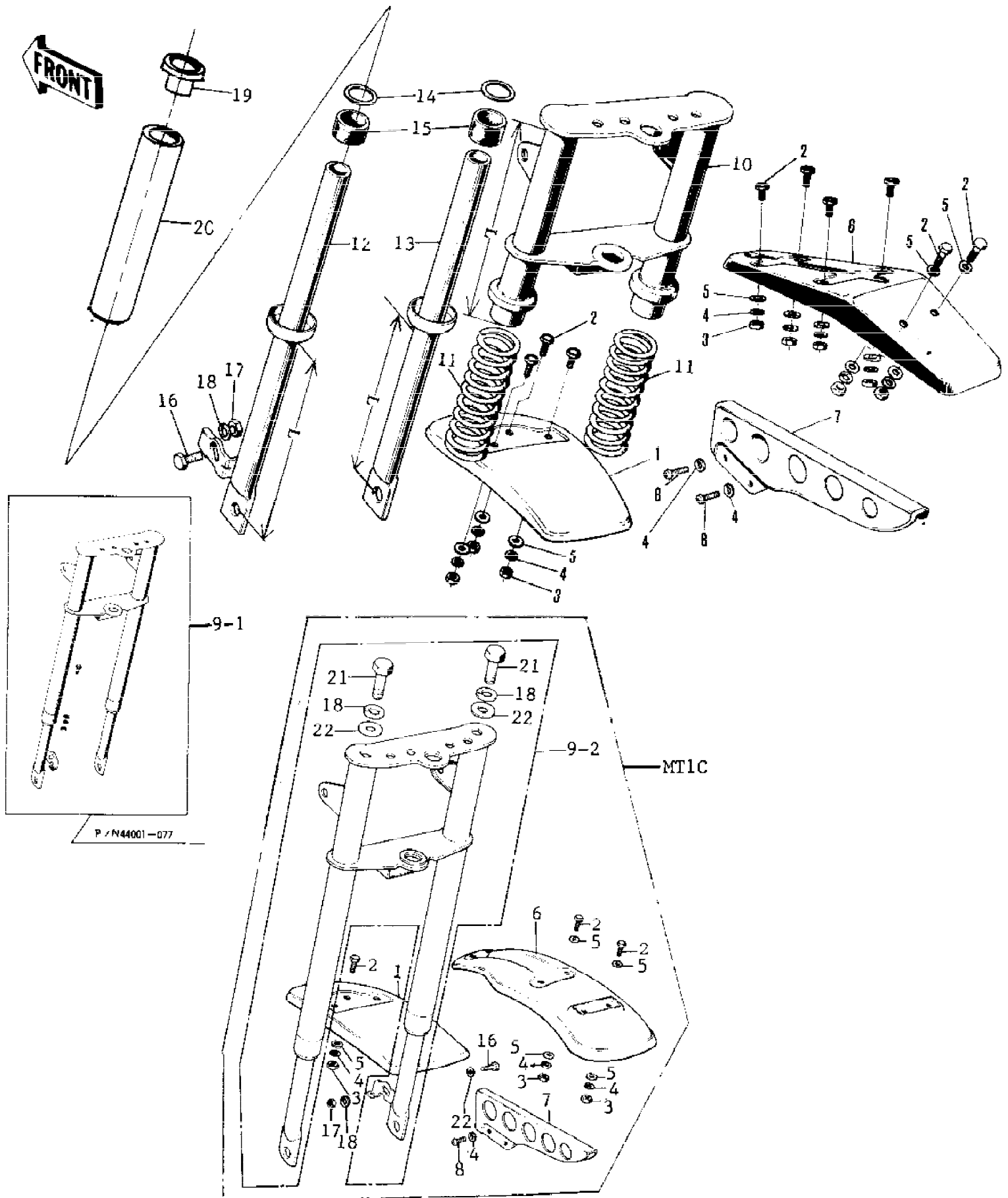
Ref #	Part Number	Qty	Description
1	34002-029	1	BAR-FOOTREST
2	92076-006	2	RUBBER FOOTREST
3	34006-002	2	SPRING FOOTREST PEG
4	92022-049	2	WASHER FOLDING PEG
5	480J1600	2	CIRCLIP 16MM
6	113G1018	2	BOLT,HEX HEAD,10X18
7	314B1000	2	NUT,10MM
8	461F1000	2	WASHER SPRING 10MM
9	34024-050	1	STAND-SIDE
10	34023-005	1	SPRING MAIN STAND
11	113G1025	1	BOLT,HEX HEAD,10X25
12	315B1000	2	NUT 10MM
13	54005-058	1	CABLE-FRONT BRAKE
14	54012-129	1	CABLE,THROTTLE
14	54012-1015	1	CABLE,THROTTLE KV75-A7
15	54022-020	1	CABLE-REAR BRAKE
16	92037-069	1	CLAMP-CABLE KV75-A6/A7



Ref #	Part Number	Qty	Description
1	32002-144	1	FRAME MT1/MT1A
1	32002-056	1	UNAVAILABLE IN PRICE BOOK MT1B/C
2	31076-016	1	TUBE-DOWN
3	32094-006	1	BRACKET-OIL TANK MT1/MT1A
3	32094-007	1	UNAVAILABLE IN PRICE BOOK MT1B/C
4	92001-1226	1	BOLT,HEX HEAD,8X85
5	92001-1578	1	BOLT
6	311B0800	2	NUT,8MM
7	461F0800	2	WASHER SPRING 8MM
8	92001-1602	2	BOLT, FLANGED, 10X110
9	314B1000	2	NUT,10MM
10	461F1000	2	WASHER SPRING 10MM
11	220B0612	3	SCREW PAN HEAD 6X12
12	461F0600	3	WASHER SPRING 6MM
13	410B0600	3	WASHER PLAIN 6MM
14	92001-156	1	BOLT,STEERING HEAD
15	92019-012	1	NUT-SELF LOCKING
16	92119-001	2	THRUST BEARING
17	411D1600	1	WASHER-PLAIN,16MM
18	411B1600	1	WASHER-PLAIN,16MM
19	92022-179	2	WASHER-PLAIN
19	92027-1119	2	COLLAR,STEERING MT1C
20	53002-024	1	SEAT

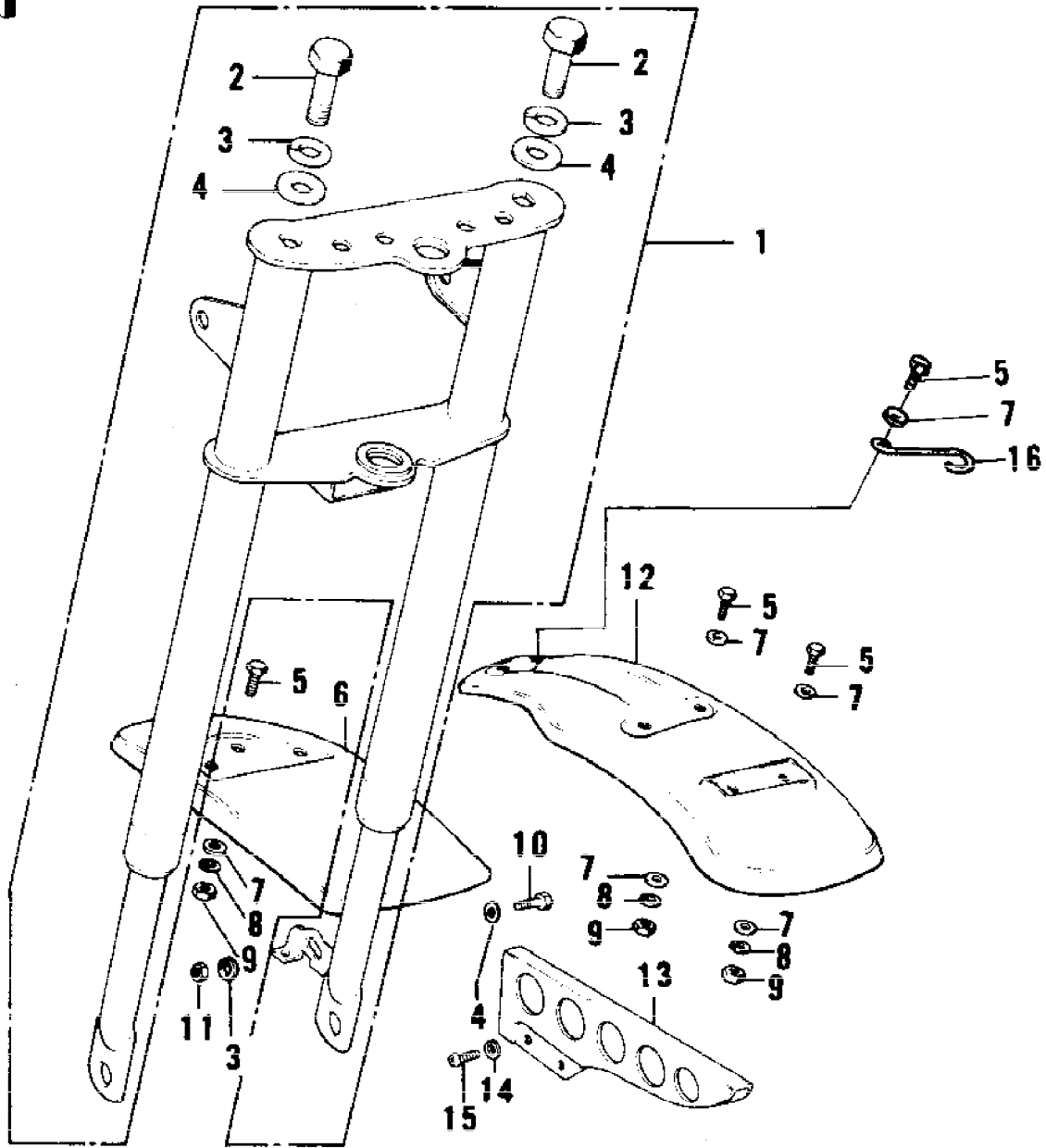


Ref #	Part Number	Qty	Description
1	32002-144	1	FRAME
2	31076-016	1	TUBE-DOWN
3	32094-006	1	BRACKET-OIL TANK
4	92001-1226	1	BOLT,HEX HEAD,8X85
5	92001-1578	1	BOLT
6	311B0800	2	NUT,8MM
7	461F0800	2	WASHER SPRING 8MM
8	92001-1602	2	BOLT, FLANGED, 10X110 1 REQ
8-1	92001-1282	1	BOLT,HEX HEAD,10X105 KV75-A6
9	314B1000	2	NUT,10MM
10	461F1000	2	WASHER SPRING 10MM
11	220B0612	3	SCREW PAN HEAD 6X12
12	461F0600	3	WASHER SPRING 6MM
13	410B0600	3	WASHER PLAIN 6MM
14	92001-156	1	BOLT,STEERING HEAD
15	315B1600	1	NUT 16MM
16	92119-001	2	THRUST BEARING
16	92045-1003	2	BEARING,BALL,STEERING KV75-A8
17	411D1600	1	WASHER-PLAIN,16MM
18	315B1600	1	NUT 16MM
19	92027-1119	2	COLLAR,STEERING 1D-19
19-1	92027-1119	2	COLLAR,STEERING F/NO 54718
20	53002-075	1	SEAT ASSY,DUAL
20	53001-1031	1	SEAT-ASSY KV75-A8
20	53001-1031	1	SEAT-ASSY KV75-A9
21	53008-033	1	HOOK,L.H
22	53008-034	1	HOOK,R.H
23	92043-092	2	PIN-BRAKE CABLE FIT
24	53012-013	2	SPRING,HOOK
25	92075-281	2	DAMPER RUBBER
26	92041-003	2	COTTER PIN
27	92072-066	2	BAND,TOOL KV75-A7
28	411D1600	1	WASHER-PLAIN,16MM F/NO 54718

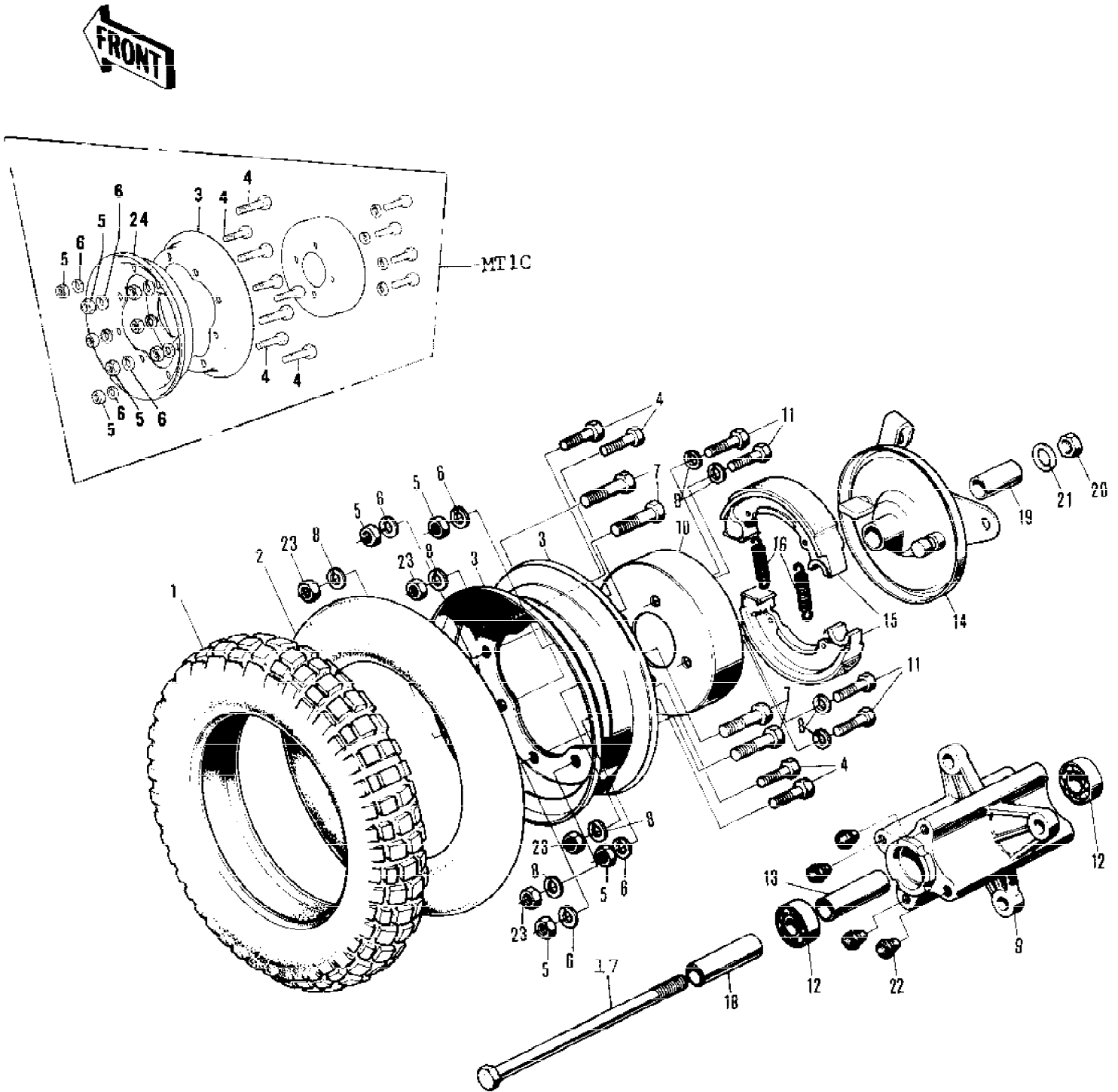


Ref #	Part Number	Qty	Description
1	35004-058-54	1	FENDER-FR, GREEN MT1
1	35004-058-72	1	FENDER-FR, B. ORANGE MT1A
1	35004-087-1M	1	FENDER-FR, C. LIME MT1B
1	35004-087-3E	1	UNAVAILABLE IN PRICE BOOK MT1C
2	112B0614	9	BOLT-UPSET 6X14
3	311B0600	9	NUT 6MM
4	461F0600	11	WASHER SPRING 6MM
5	92022-024	11	WASHER PLAIN
6	35023-011-10	1	FENDER-REAR, BLACK MT1/A
6	35023-013-1M	1	FENDER-RR, C. LIME MT1B
6	35023-013-10	1	FENDER-RR, BLACK MT1C
7	36014-036-21	1	CASE-CHAIN, BLACK
8	220B0610	2	SCREW PAN HEAD 6X10
	44001-073	1	FRONT FORK ASSY Includes items 9 - 12
9-1	44001-077	1	FRONT FORK ASSY MT1A/B
9-2	44001-159	1	FORK-FRONT MT1C
10	44047-004	1	BODY-FRONT FORK L=260 M/M
10	44047-005	1	BODY-FRONT FORK L=330 M/M
11	44026-032	2	SPRING-FORK
12	44005-033	1	TUBE, LH, FORK OUTER L=157 M/M
12	44005-036	1	TUBE, LH, FORK OUTER L=87 M/M
13	44006-032	1	TUBE, RH, FORK OUTER L=157 M/M
13	44006-034	1	TUBE, RH, FORK OUTER L=87 M/M
14	44028-020	2	GUIDE-FORK SPRING
15	92075-071	2	DAMPER RUBBER-FORK
16	112B1020	1	BOLT-UPSET, 10X20
17	314B1000	1	NUT, 10MM
17	314B1000	1	NUT, 10MM MT1C
18	461F1000	1	WASHER SPRING 10MM 3 REQ FOR
19	44065-002	2	BUSH, SHORT
20	44065-003	2	BUSH-LONG
21	113N1025	2	BOLT, HEX HEAD, 10X25 MT1C
22	411B1000	3	WASHER PLAIN 10MM MT1C
1	35004-058-54	1	FENDER-FR, GREEN MT1
1	35004-058-72	1	FENDER-FR, B. ORANGE MT1A
1	35004-087-1M	1	FENDER-FR, C. LIME MT1B
1	35004-087-3E	1	UNAVAILABLE IN PRICE BOOK MT1C
2	112B0614	9	BOLT-UPSET 6X14
3	311B0600	9	NUT 6MM
4	461F0600	11	WASHER SPRING 6MM
5	92022-024	11	WASHER PLAIN
6	35023-011-10	1	FENDER-REAR, BLACK MT1/A
6	35023-013-1M	1	FENDER-RR, C. LIME MT1B
6	35023-013-10	1	FENDER-RR, BLACK MT1C
7	36014-036-21	1	CASE-CHAIN, BLACK
8	220B0610	2	SCREW PAN HEAD 6X10
	44001-073	1	FRONT FORK ASSY Includes items 9 - 12
9-1	44001-077	1	FRONT FORK ASSY MT1A/B
9-2	44001-159	1	FORK-FRONT MT1C
10	44047-004	1	BODY-FRONT FORK L=260 M/M
10	44047-005	1	BODY-FRONT FORK L=330 M/M
11	44026-032	2	SPRING-FORK
12	44005-033	1	TUBE, LH, FORK OUTER L=157 M/M
12	44005-036	1	TUBE, LH, FORK OUTER L=87 M/M
13	44006-032	1	TUBE, RH, FORK OUTER L=157 M/M

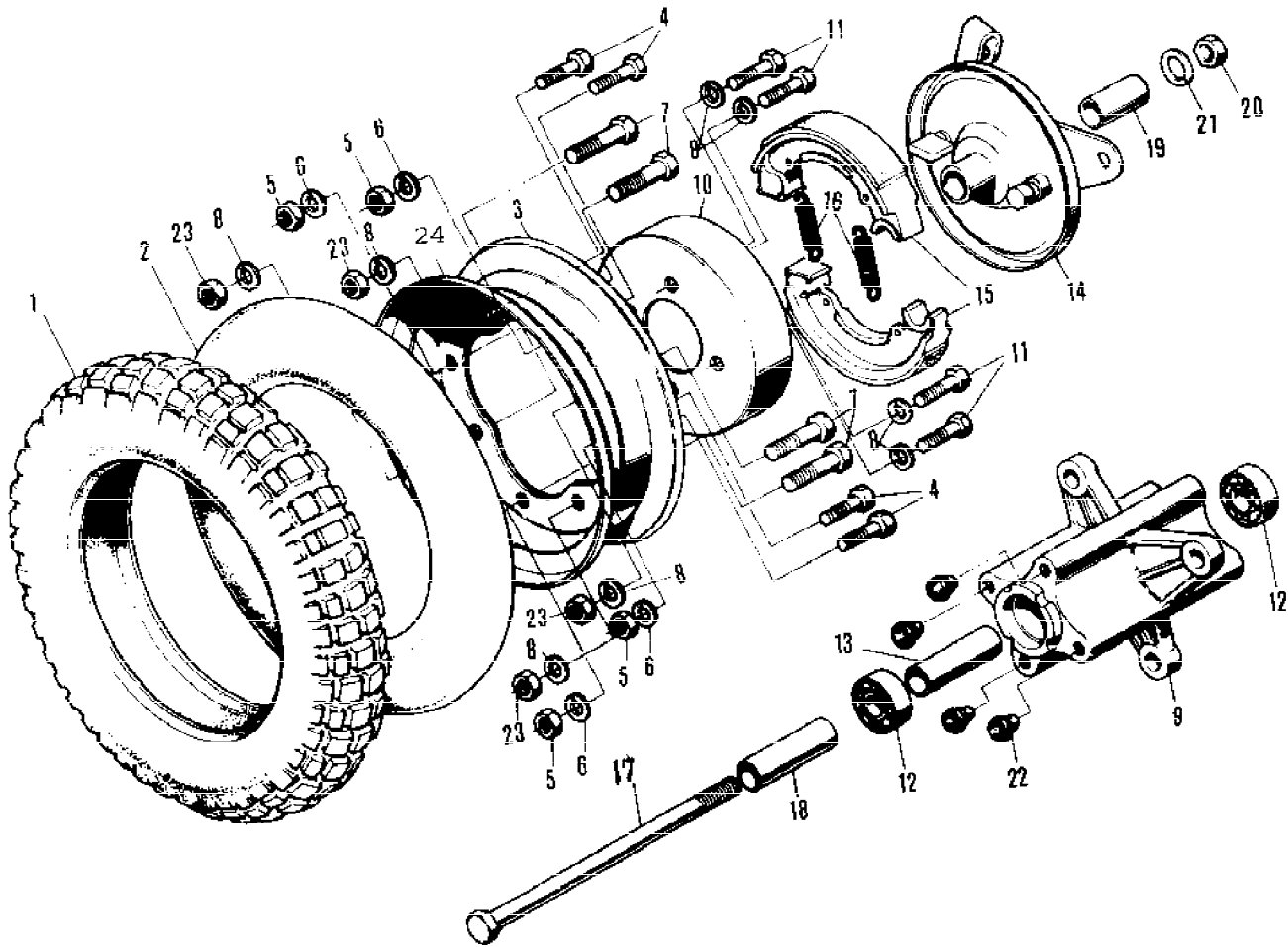
Ref #	Part Number	Qty	Description
13	44006-034	1	TUBE,RH,FORK OUTER L=87 M/M
14	44028-020	2	GUIDE-FORK SPRING
15	92075-071	2	DAMPER RUBBER-FORK
16	112B1020	1	BOLT-UPSET,10X20
17	314B1000	1	NUT,10MM
17	314B1000	1	NUT,10MM MT1C
18	461F1000	1	WASHER SPRING 10MM 3 REQ FOR MT1C
19	44065-002	2	BUSH,SHORT
20	44065-003	2	BUSH-LONG
21	113N1025	2	BOLT,HEX HEAD,10X25 MT1C
22	411B1000	3	WASHER PLAIN 10MM MT1C



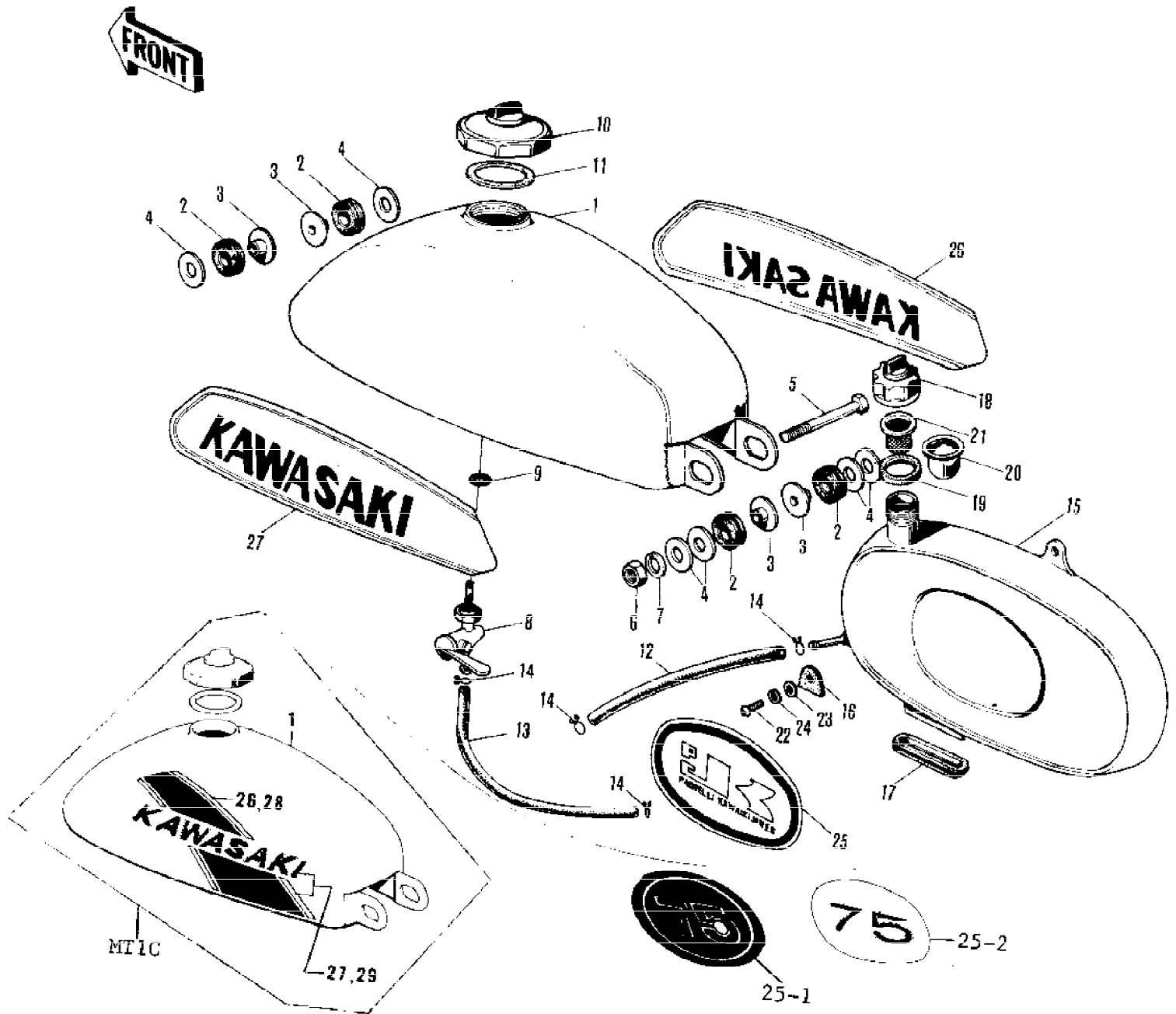
Ref #	Part Number	Qty	Description
1	44001-159	1	FORK-FRONT
2	113N1025	2	BOLT,HEX HEAD,10X25
3	461F1000	3	WASHER SPRING 10MM
4	411B1000	3	WASHER PLAIN 10MM
5	112B0614	9	BOLT-UPSET 6X14
6	35004-087-10	1	FENDER-FR,BLACK BLACK
7	92022-024	11	WASHER PLAIN
8	461F0600	9	WASHER SPRING 6MM
9	311B0600	9	NUT 6MM
9	311B0600	9	NUT 6MM KV75-A7
10	112B1020	1	BOLT-UPSET,10X20
11	314B1000	1	NUT,10MM
12	35023-013-10	1	FENDER-RR,BLACK BLACK
13	36014-036-21	1	CASE-CHAIN,BLACK FLAT BLACK
14	461F0600	2	WASHER SPRING 6MM
15	220B0610	2	SCREW PAN HEAD 6X10
16	92037-172	1	CLAMP,CABLE



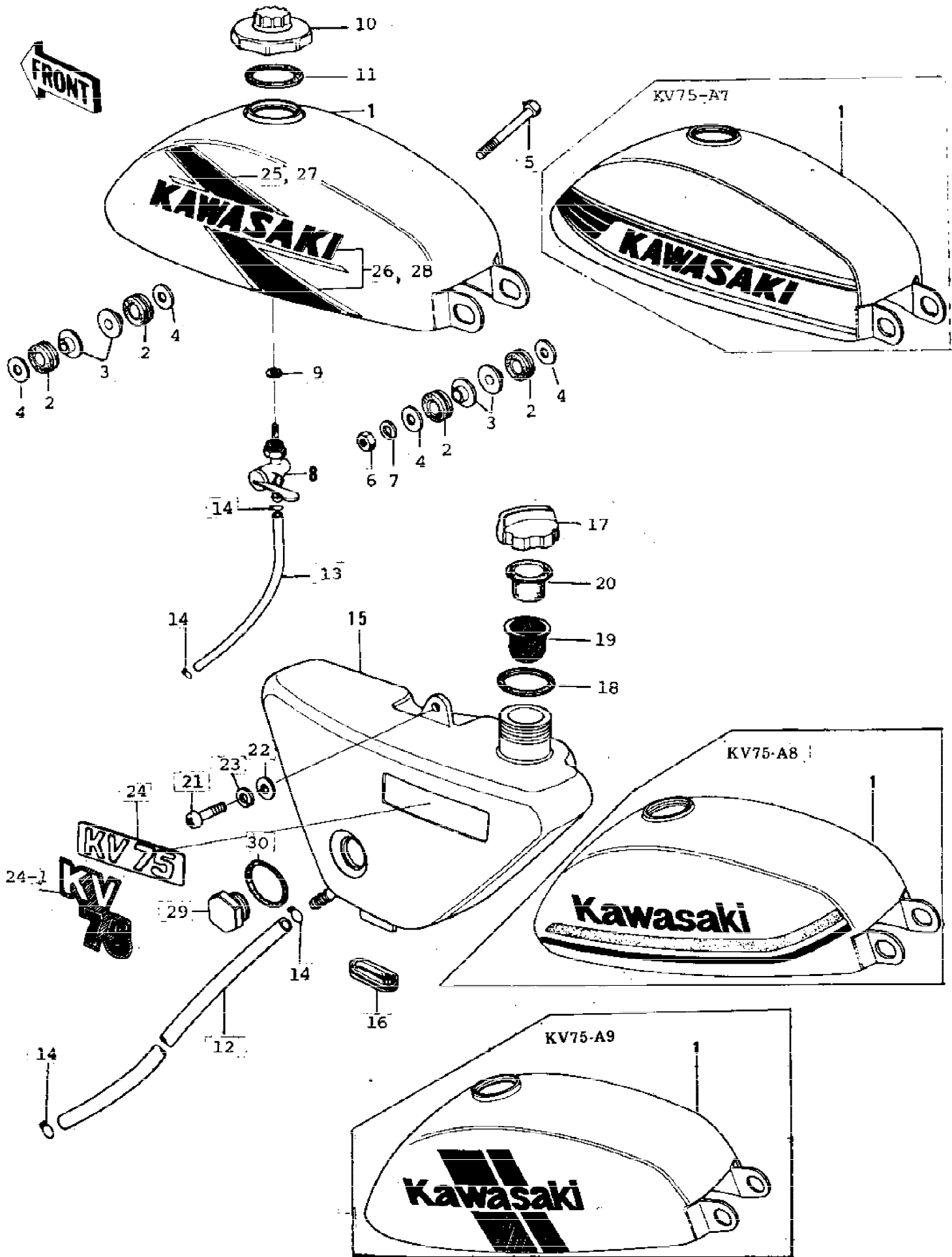
Ref #	Part Number	Qty	Description
1	41021-015	1	UNAVAILABLE IN PRICE BOOK
2	41022-037	1	TUBE 350-8
3	41025-047	2	RIM 2.50-8
3	41025-081	1	RIM,2.50-8 MT1C WITH VALVE HOLE
4	114G0812	4	BOLT SMALL
4	113G1016	4	BOLT,HEX HEAD,10X16 MT1C
5	311B0800	4	NUT,8MM
5	314B1000	4	NUT,10MM MT1C
6	461F0800	4	WASHER SPRING 8MM
6	461F1000	4	WASHER SPRING 10MM MT1C
7	113G1025	4	BOLT,HEX HEAD,10X25
8	461F1000	8	WASHER SPRING 10MM
	42005-025	1	DRUM ASSY-REAR BRAKE Includes items 8 - 13
10	41054-003	1	DRUM-BRAKE
11	92001-017	4	BOLT-HEX HEAD,10X28
12	601B6201Z	2	BEARING-BALL #6201Z
13	42010-020	1	SPACER-BEARING
14	41035-031	1	PANEL ASSY-FRNT BRAKE Includes items 14 - 16
15	41048-1010	1	SHOE,BRAKE Includes items 15 and 16
16	41049-009	2	SPRING-BRAKE SHOE
17	41068-033	1	AXLE-FRONT
18	41069-013	1	COLLAR-FRONT AXLE,R.H
19	41069-014	1	COLLAR-FRONT AXLE,L.H
20	314B1200	1	NUT-HEX-FINE
21	461F1200	1	WASHER SPRING 12MM
22	92074-005	4	PLUG RUBBER
23	314B1000	4	NUT,10MM
24	41025-082	1	RIM,2.50-8 MT1C



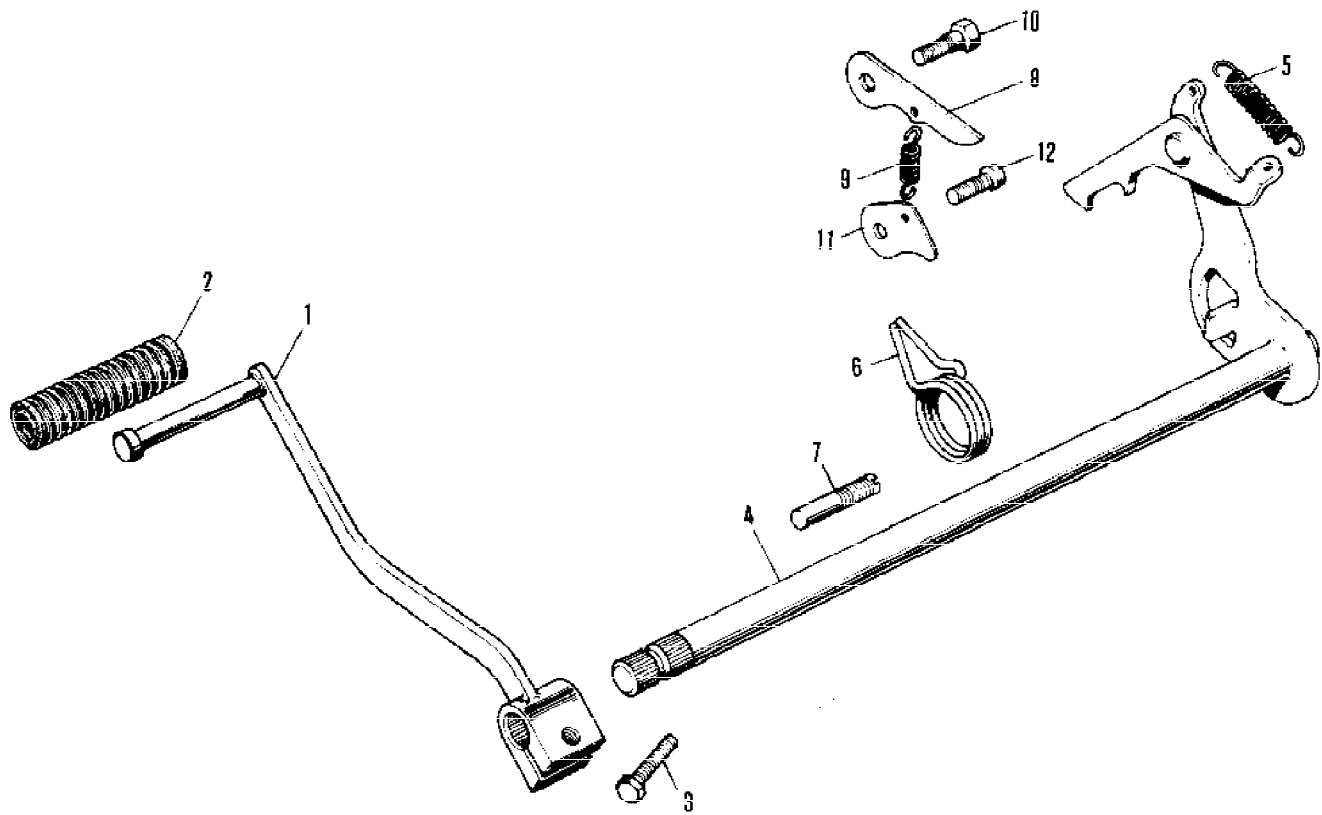
Ref #	Part Number	Qty	Description
1	41021-052	1	UNAVAILABLE IN PRICE BOOK
2	41022-037	1	TUBE 350-8
3	41025-081	1	RIM,2.50-8 WITH VALVE HOLE
4	113G1016	4	BOLT,HEX HEAD,10X16
5	314B1000	4	NUT,10MM
6	461F1000	4	WASHER SPRING 10MM
7	113G1025	4	BOLT,HEX HEAD,10X25
8	461F1000	8	WASHER SPRING 10MM
	42005-025	1	DRUM ASSY-REAR BRAKE Includes items 8 - 13
10	41054-003	1	DRUM-BRAKE
11	92001-017	4	BOLT-HEX HEAD,10X28
12	601B6201Z	2	BEARING-BALL #6201Z
13	42010-020	1	SPACER-BEARING
14	41035-031	1	PANEL ASSY-FRNT BRAKE Includes items 14 - 16
	41035-1009	1	PANEL-ASY,FR BRK Includes items 14 - 16; KV75-A7
15	41048-1010	1	SHOE,BRAKE Includes items 15 - 16
	41048-1010	2	SHOE,BRAKE Includes items 15 - 16; KV75-A7
16	41049-009	2	SPRING-BRAKE SHOE
17	41068-033	1	AXLE-FRONT
18	41069-013	1	COLLAR-FRONT AXLE,R.H
19	41069-014	1	COLLAR-FRONT AXLE,L.H
20	314B1200	1	NUT-HEX-FINE
20	314B1200	1	NUT-HEX-FINE KV75-A7
21	461F1200	1	WASHER SPRING 12MM
22	92074-005	4	PLUG RUBBER
23	314B1000	4	NUT,10MM
24	41025-082	1	RIM,2.50-8



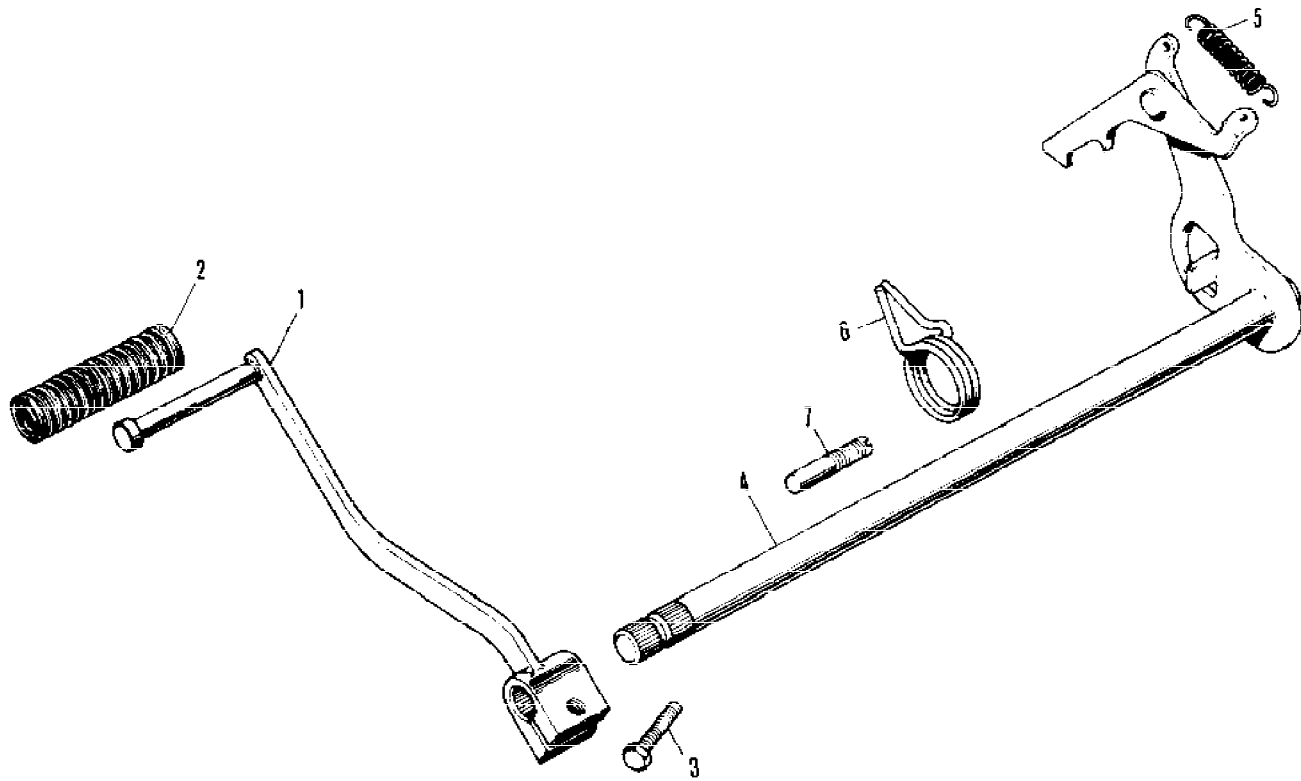
Ref #	Part Number	Qty	Description
1	51001-064-54	1	TANK-FUEL, GREEN MT1
1	51001-064-72	1	TANK-FUEL, B. ORANGE MT1A
1	51001-064-1M	1	TANK-FUEL, C. LIME MT1B
1	51001-064-3E	1	TANK-FUEL, V. YELLOW MT1C
2	92075-019	4	DAMPER RUBB TANK FRNT
3	92027-080	4	COLLAR
4	92022-1564	6	WASHER, 8X26X2.3
5	92001-1226	1	BOLT, HEX HEAD, 8X85
6	311B0800	1	NUT, 8MM
7	461F0800	1	WASHER SPRING 8MM
8	51023-030	1	COCK ASSY, FUEL
8	51023-030	1	COCK ASSY, FUEL MT1C
9	92065-075	1	GASKET-FUEL COCK JONT
10	51048-005	1	CAP-FUEL TANK
11	51059-003	1	GASKET FUEL TANK CAP
11	51059-006	1	GASKET, FUEL TANK CAP MT1C
12	92059-072	1	PIPE-OIL
13	92059-074	1	TUBE
14	92037-010	4	CLAMP FUEL PIPE
15	52001-023	1	TANK-OIL MT1
15	52001-023-72	1	TANK-OIL, B. ORANGE MT1A
15	52001-023-1M	1	TANK, OIL, C. LIME MT1B
15	52001-023-3E	1	TANK, OIL, T. YELLOW MT1C
16	52016-001	1	PLATE-OIL TANK
17	92075-070	1	DAMPER RUBBER
18	52002-002	1	CAP-OIL TANK
19	92065-079	1	GASKET-OIL TANK CAP
20	52004-007	1	CASE-TANK CAP RUBBER
21	52004-008	1	RUBBER-OIL TANK CAP
22			UNKNOWN
23	410B0600	1	WASHER PLAIN 6MM
24	461F0600	1	WASHER SPRING 6MM
25	56018-059	1	EMBLEM-OIL TANK MT1
25-1	56018-159	1	EMBLEM, OIL TANK MT1A/B
25-2	56018-187	1	EMBLEM, OIL TANK MT1C
26	56013-025	1	EMBLEM-L.H FUEL TANK
27	56014-019	1	EMBLEM-R.H FUEL TANK
28	56027-221-SP	1	DECAL, L.H FL TK, UPPER MT1C
29	56027-222-SP	1	DECAL, L.H FL TK, LOWER MT1C
30	56027-223-SP	1	DECAL, R.H FL TK, UPPER MT1C
31	56027-224-SP	1	DECAL, R.H FL TK, LOWER MT1C



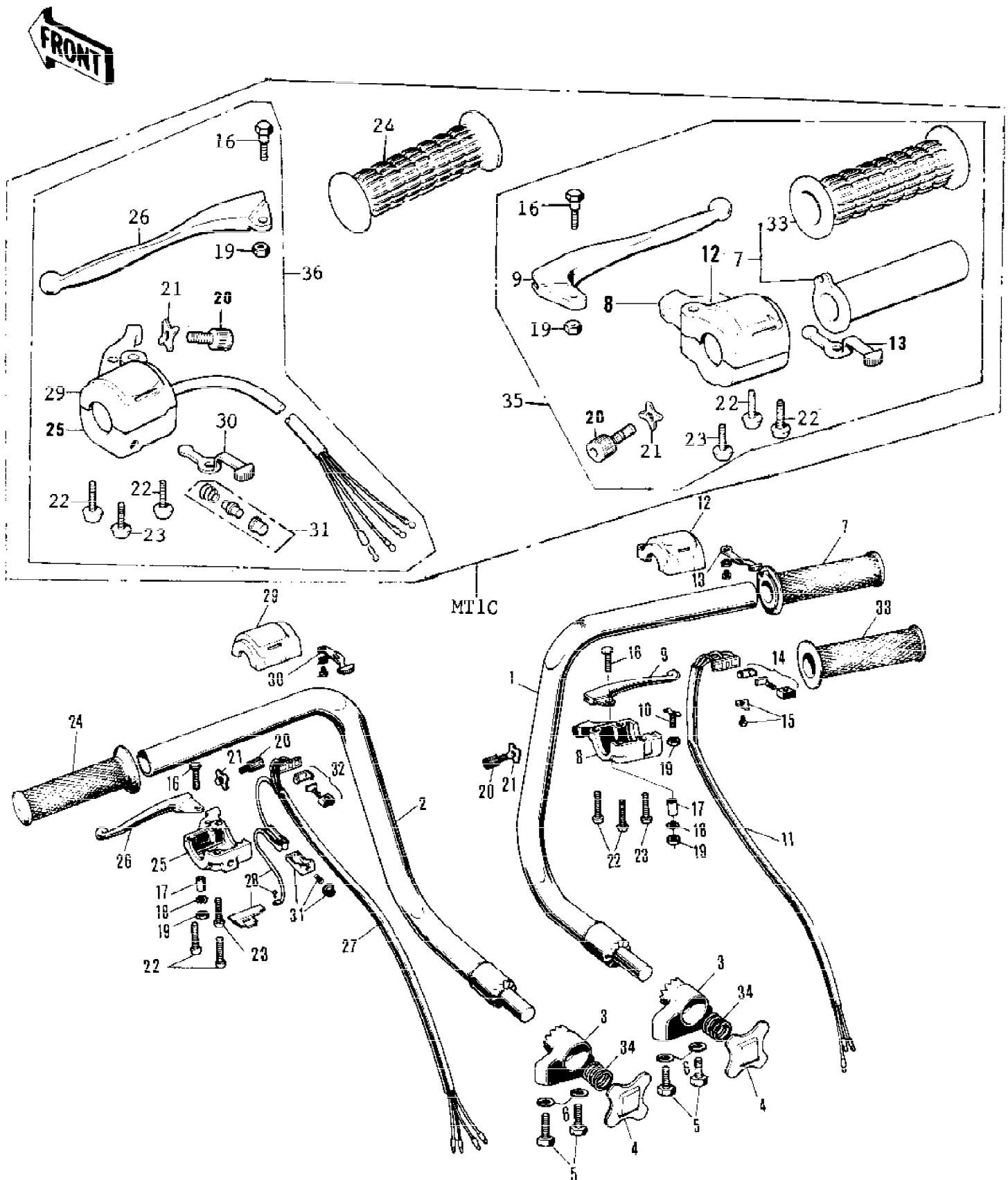
Ref #	Part Number	Qty	Description
1	51001-064-3R	1	TANK-FUEL,C.S.RED
1	51001-064-4M	1	TANK-FUEL,CERULEAN BL KV75-A6
1	51001-064-4P	1	TANK-FUEL,POPPY RED KV75-A7
1	51001-5007-7R	1	TANK-FUEL,C.WHITE KV75-A8
1	51001-064-D1	1	TANK-FUEL,CRM.ORANGE KV75-A9
2	92075-019	4	DAMPER RUBB TANK FRNT
3	92027-080	4	COLLAR
4	92022-1564	6	WASHER,8X26X2.3
5	92001-1226	1	BOLT,HEX HEAD,8X85
6	311B0800	1	NUT,8MM
7	461F0800	1	WASHER SPRING 8MM
8	51023-030	1	COCK ASSY,FUEL
9	92065-075	1	GASKET-FUEL COCK JONT
10	51048-005	1	CAP-FUEL TANK
11	51059-003	1	GASKET FUEL TANK CAP
11	51059-006	1	GASKET,FUEL TANK CAP KV75-A7
12	92059-072	1	PIPE-OIL
13	92059-074	1	TUBE
14	92037-010	4	CLAMP FUEL PIPE
15	52001-046-6Z	1	TANK,OIL,BLACK
15	52001-046-6Z	1	TANK,OIL,BLACK KV75-A6
15	52001-046-6Z	1	TANK,OIL,BLACK KV75-A7
15	52001-1007-6Z	1	TANK,OIL,BLACK KV75-A8
16	92075-070	1	DAMPER RUBBER
17	52002-002	1	CAP-OIL TANK
18	92065-079	1	GASKET-OIL TANK CAP
19	52004-007	1	CASE-TANK CAP RUBBER
20	52004-008	1	RUBBER-OIL TANK CAP
21	220B0616	1	SCREW PAN HEAD 6X16
22	92022-024	1	WASHER PLAIN
23	461F0600	1	WASHER SPRING 6MM
24	56018-216	1	EMBLEM,OIL TANK
24-1	56018-1048	1	MARK,OIL TANK KV75-A8
24-1	56018-1130	1	MARK,OIL TANK KV75-A9
25	56027-342-SP	1	DECAL,FL TK,L.H UPP UNAVAILABLE IN PRICE BOOK
25	56029-030-SP	1	*** N.L.A.*** (Canada) KV75-A6
26	56027-343-SP	1	DECAL,FL TK,L.H LOW UNAVAILABLE IN PRICE BOOK
26	56029-031-SP	1	*** N.L.A.*** (Canada) KV75-A6
27	56027-344-SP	1	DECAL,FL TK,R.H UPP UNAVAILABLE IN PRICE BOOK
27	56029-032-SP	1	*** N.L.A.*** (Canada) KV75-A6
28	56027-345-SP	1	DECAL,FL TK,R.H LOW UNAVAILABLE IN PRICE BOOK
28	56029-033-SP	1	*** N.L.A.*** (Canada) KV75-A6
29	52015-002	1	GUAGE-OIL LEVEL
30	92055-051	1	"O" RING,20MM



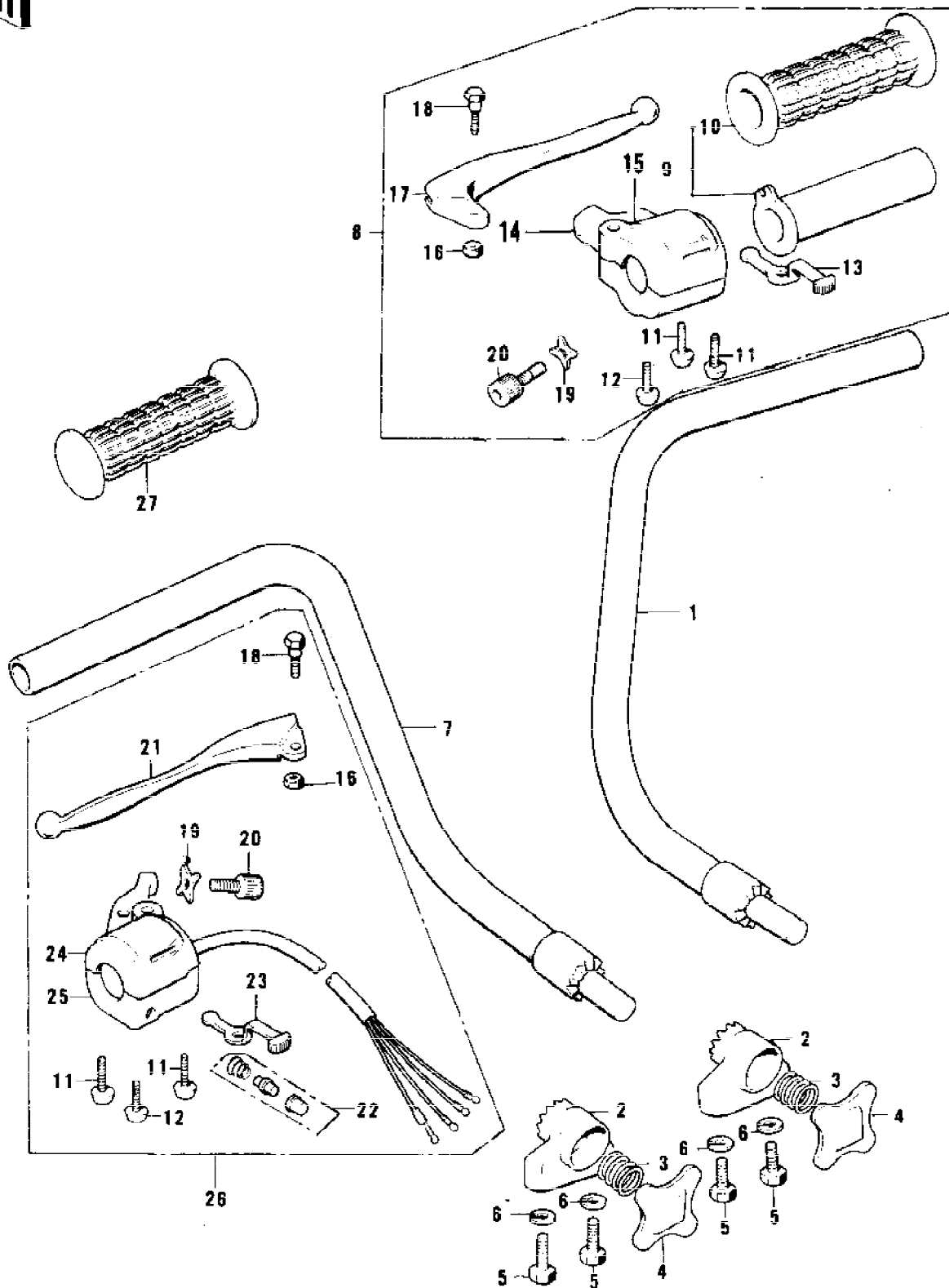
Ref #	Part Number	Qty	Description
1	13242-004	1	PEDAL SET GEAR CHANGE
2	13157-004	1	RUBBER CHANGE PEDAL
3	112G0620	1	BOLT-UPSET,6X20
4	13161-021	1	LEVER ASSY GEAR CHNG
5	92081-003	1	SPRING RATCHET PA
6	92083-001	1	SPRING
7	92043-061	1	PIN-CHANGE PEDAL
8	13168-002	1	LEVER-GEAR CHNG DRUM MT1 A &
9	92081-008	1	SPRING-CHANG DRUM LEV MT1 A &
10	92150-1450	1	BOLT,CHANGE DRUM LEVE MT1 A &
11	13170-004	1	PLATE CHANGE DRUM LEV MT1 A &
12	220B0612	1	SCREW PAN HEAD 6X12 MT1 A &



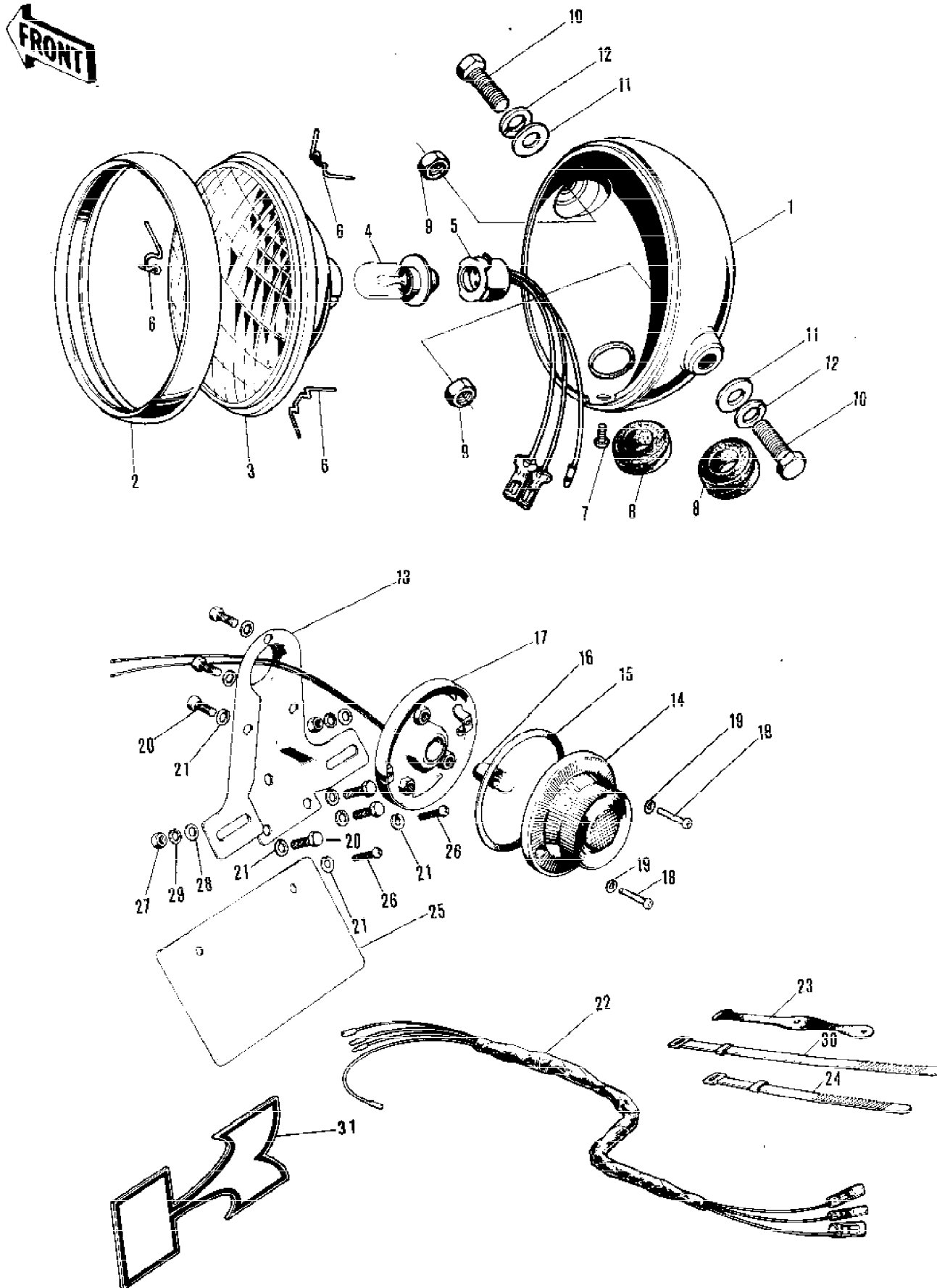
Ref #	Part Number	Qty	Description
1	13242-004	1	PEDAL SET GEAR CHANGE
2	13157-004	1	RUBBER CHANGE PEDAL
3	112G0620	1	BOLT-UPSET,6X20
4	13161-021	1	LEVER ASSY GEAR CHNG
5	92081-003	1	SPRING RATCHET PA
6	92083-001	1	SPRING
7	92043-061	1	PIN-CHANGE PEDAL



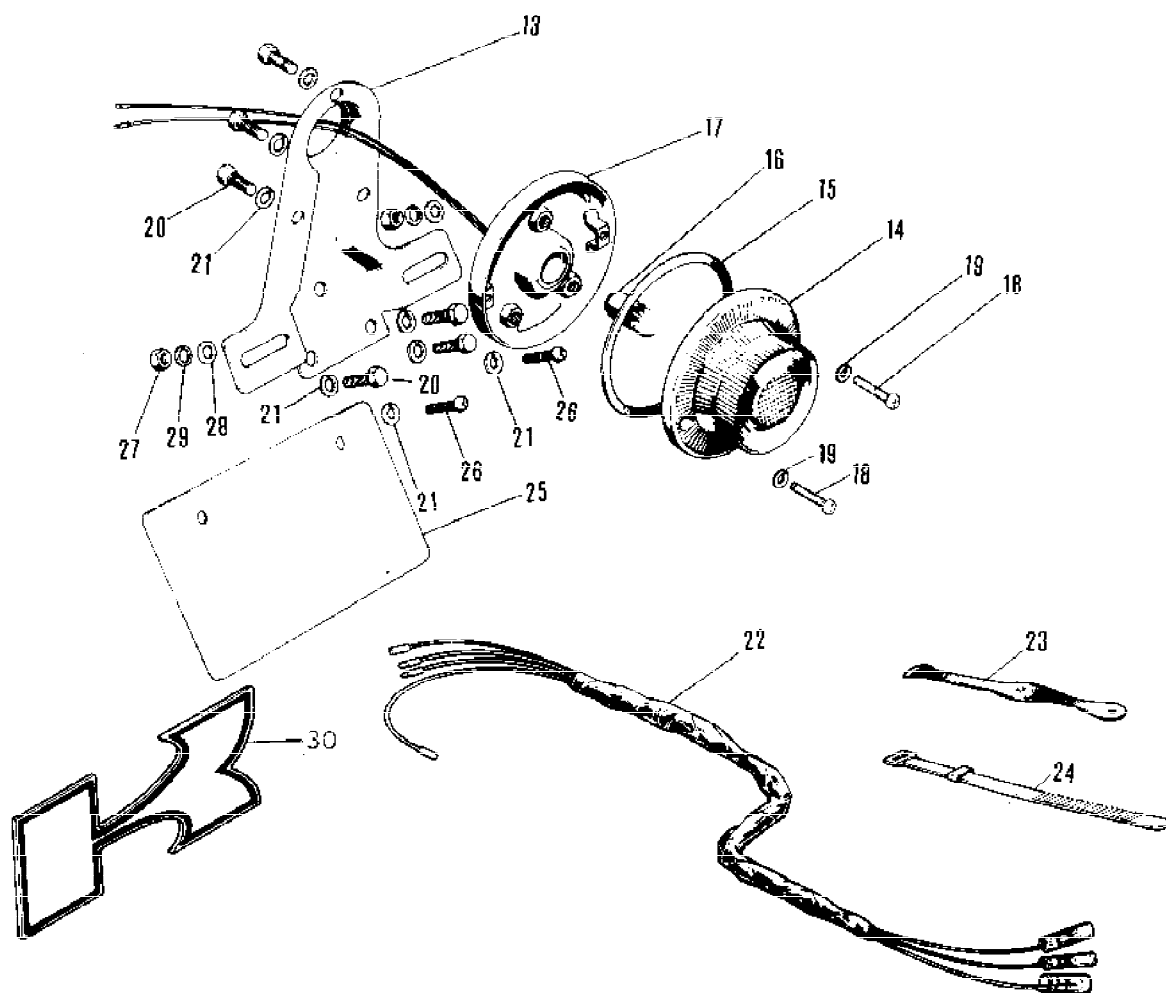
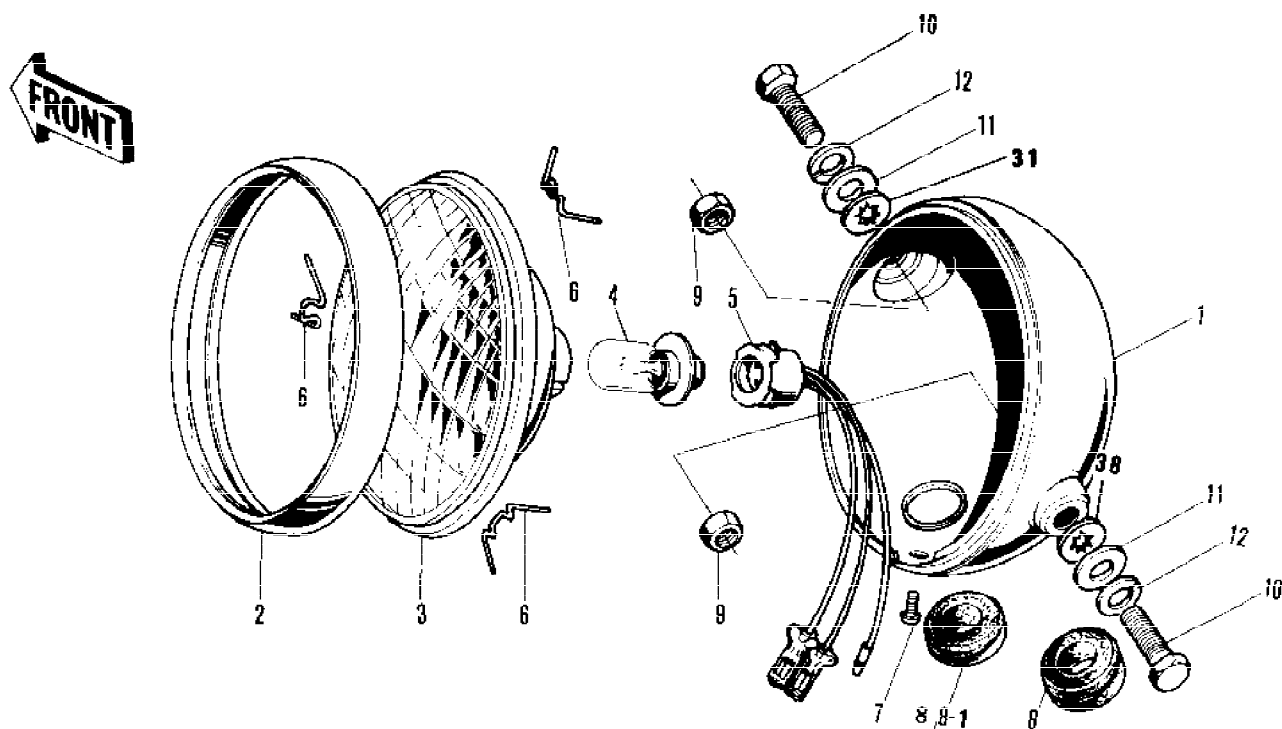
Ref #	Part Number	Qty	Description
1	46007-010	1	HANDLEBAR,RH
2	46007-011	1	HANDLEBAR,LH
3	46012-009	2	HOLDER-HANDLEBAR
4	46129-001	2	KNOB-HANDLEBAR HOLDER
5	113B1018	4	BOLT HEX HEAD 10X18
6	461F1000	4	WASHER SPRING 10MM
	46017-1071	1	GRIP-ASSY,RH Includes items 7 - 21 and 2
7	46019-005	1	GRIP ASSY THROTTLE
7	46019-024	1	GRIP ASSY,THROTTLE MT1C
8	46022-012	1	CASE R.H SWITCH LOWER
8	46022-017	1	CASE,R.H LOWER MT1C
9	46058-004	1	LEVER FRONT BRAKE
10	46024-002	1	SPRING THROTTLE GRIP
11	46032-010	1	WIRING HARNESS R.H SW
12	46017-1071	1	GRIP-ASSY,RH
12	46040-015	1	CASE,R.H. UPPER MT1C
13	46043-002	1	KNOB ASSY R.H SWITCH
14	46045-004	1	SLIDE BLOCK AY R.H SW
15	46085-012	1	HOLDER WIRING HARNESS
16	92007-020	2	BOLT HEX HEAD 5X20
16	92007-046	2	BOLT,HEX HEAD,5X22 MT1C
17	46059-011	2	COLLAR LEVER
18	464H0500	2	WASHER LOCK 5MM
19	312B0500A	3	NUT 5MM
19	92019-014	2	NUT-LOCK,5MM MT1C
20	46055-010	2	SCREW,CABLE ADJUST
21	46056-001	2	NUT LOCK ADJUST SCREW
22	220B0520A	4	SCREW PAN HEAD 5X20
23	220B0518A	2	SCREW PAN HEAD 5X18
15-32	46074-017	1	GRIP ASSY L.H
24	46075-007	1	RUBBER L.H GRIP
24	46075-020	1	RUBBER,L.H GRIP MT1C
25	46077-008	1	CASE L.H SWITCH LOWER
25	46077-026	1	CASE, L.H. LOWER MT1C
26	46092-015	1	LEVER-CLUTCH
26	46092-015	1	LEVER-CLUTCH MT1C
27	46082-009	1	WIRING HARNESS L.H SW
28	46085-008	1	HOLDER L.H SWITCH
29	46086-007	1	CASE L.H SWITCH UPPER
29	46086-025	1	CASE,L.H UPPER
30	46088-001	1	KNOB ASSY L.H SWITCH
31	46078-003	1	SWITCH ASSY LH BUTTON
32	46089-002	1	SLIDE BLOCK AY L.H SW
33	46061-009	1	RUBBER R.H GRIP
33	46061-015	1	RUBBER,R.H.GRIP MT1C
34	92081-078	2	SPRING
34	92081-090	2	SPRING MT1C
35	46017-077	1	GRIP ASSY,R.H MT1C
36	46074-092	1	GRIP ASSY,L.H MT1C



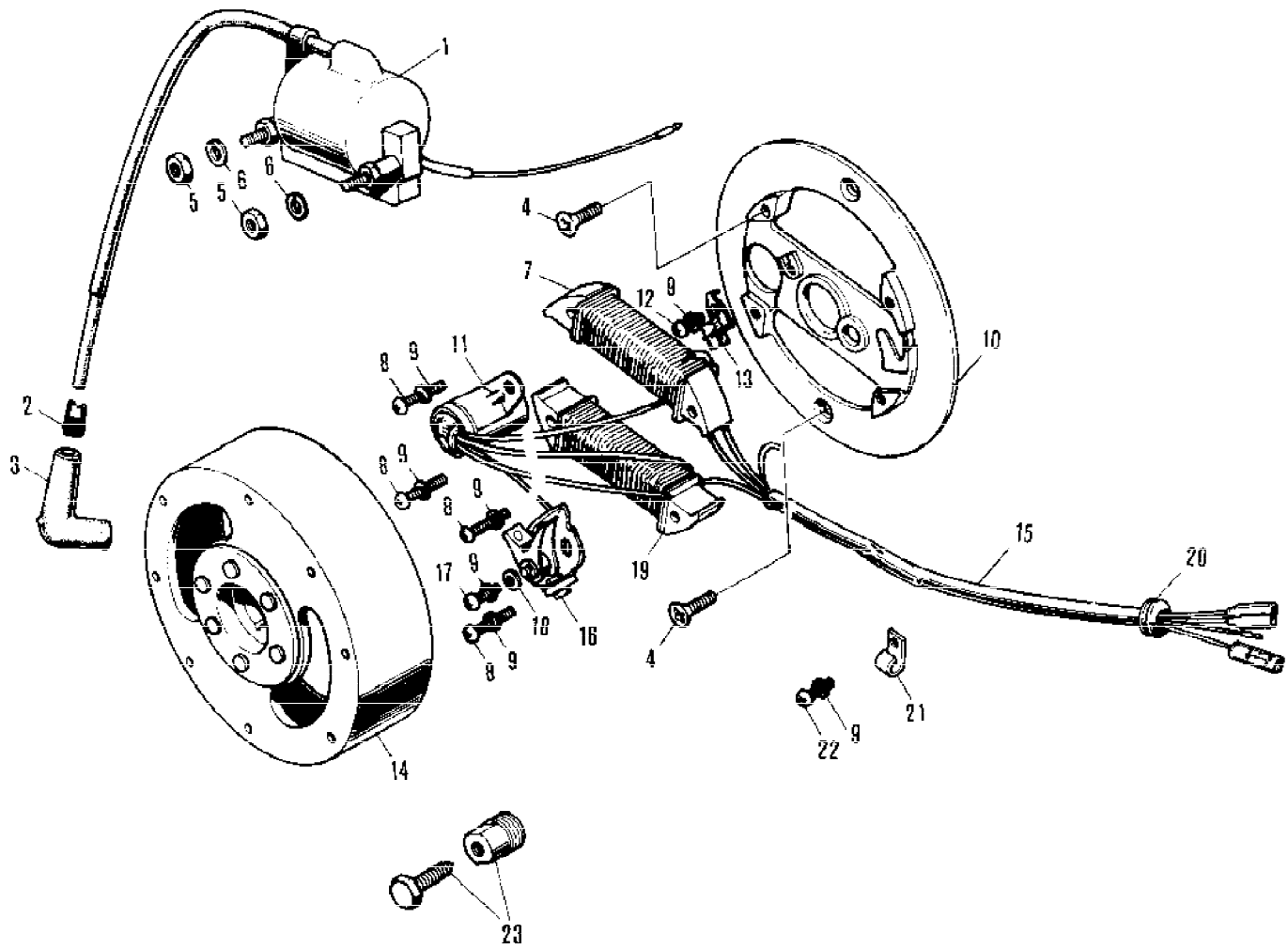
Ref #	Part Number	Qty	Description
1	46007-010	1	HANDLEBAR,RH
2	46012-009	2	HOLDER-HANDLEBAR
3	92081-090	2	SPRING
4	46129-001	2	KNOB-HANDLEBAR HOLDER
5	113G1018	4	BOLT,HEX HEAD,10X18
6	461F1000	4	WASHER SPRING 10MM
7	46007-011	1	HANDLEBAR,LH
8	46017-077	1	GRIP ASSY,R.H
8	46017-1009	1	GRIP ASSY,R.H KV75-A7
9	46019-024	1	GRIP ASSY,THROTTLE
9	46019-041	1	GRIP ASSY,THROTTLE KV75-A7
10	46061-015	1	RUBBER,R.H.GRIP
11	220B0520	4	SCREW PAN HEAD 5X20
12	220B0518	2	SCREW PAN HEAD 5X18
13	46043-002	1	KNOB ASSY R.H SWITCH
14	46022-012	1	CASE R.H SWITCH LOWER KV75-A5
14	46022-017	1	CASE,R.H LOWER KV75-A6
15	46017-1071	1	GRIP-ASSY,RH KV75-A5
15	46040-015	1	CASE,R.H. UPPER KV75-A6
16	92019-014	2	NUT-LOCK,5MM
17	46058-004	1	LEVER FRONT BRAKE
18	92007-046	2	BOLT,HEX HEAD,5X22
19	46056-001	2	NUT LOCK ADJUST SCREW
20	46055-003	2	SCREW CABLE ADJUST
21	46092-015	1	LEVER-CLUTCH
22	46078-003	1	SWITCH ASSY LH BUTTON
23	46088-001	1	KNOB ASSY L.H SWITCH
24	46086-007	1	CASE L.H SWITCH UPPER KV75-A5
24	46086-025	1	CASE,L.H UPPER KV75-A6
25	46077-008	1	CASE L.H SWITCH LOWER KV75-A5
25	46077-026	1	CASE, L.H. LOWER KV75-A6
26	46074-067	1	46074-092 (Canada) KV75-A5
26	46074-092	1	GRIP ASSY,L.H KV75-A6
26	46074-1005	1	GRIP ASSY,L.H. KV75-A7
27	46075-020	1	RUBBER,L.H GRIP
27	46075-028	1	RUBBER,L.H GRIP KV75-A7
28	49016-1028	1	DUST COVER KV75-A8



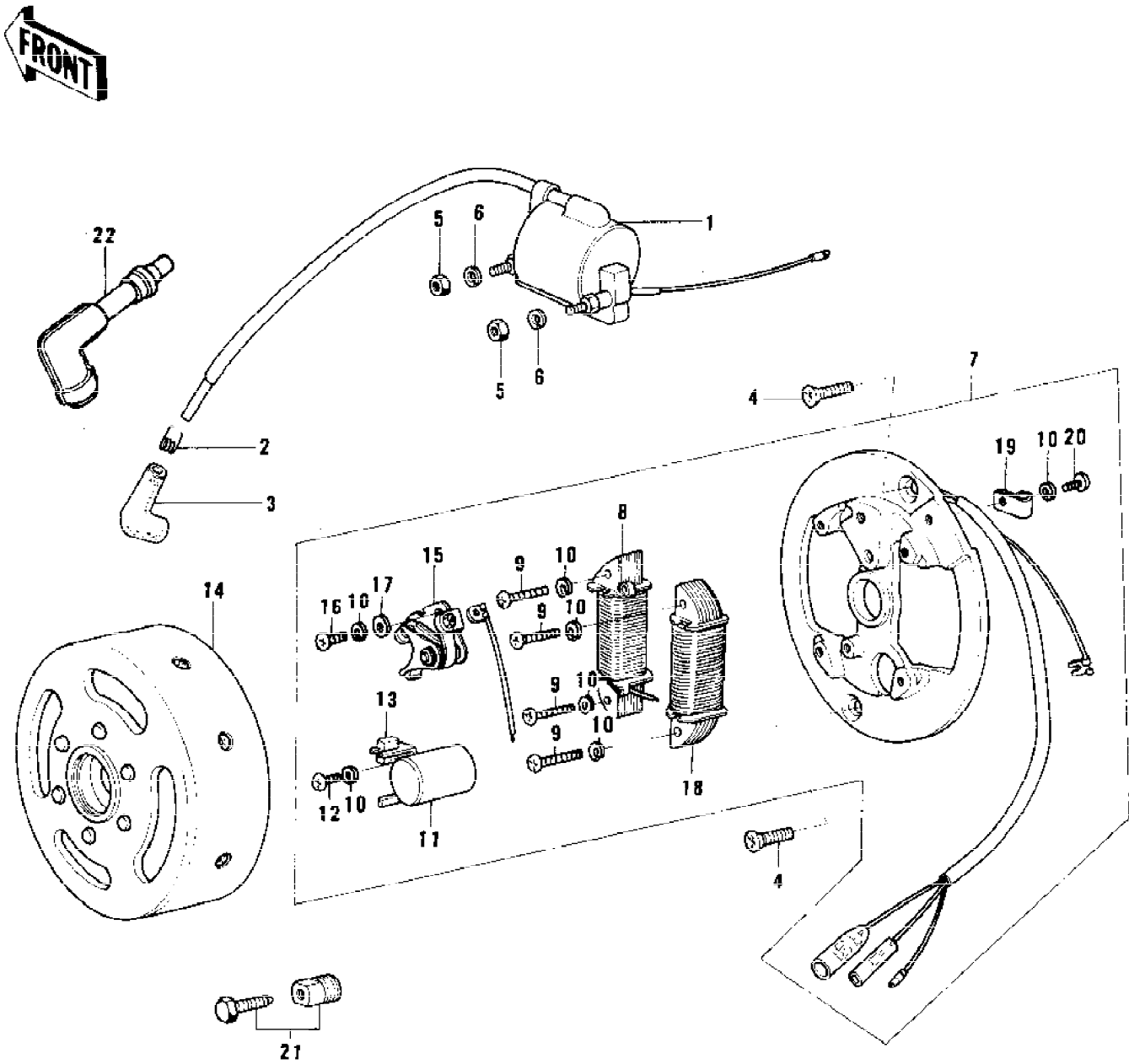
Ref #	Part Number	Qty	Description
1	23005-1006-21	1	BODY,HD LIGHT,FL BLCK
	23004-023	1	LAMP UNIT-HEAD Includes items 2 - 7
2	23006-043	1	RIM,HEAD LAMP
3	23007-010	1	LENS UNIT-HEAD LAMP
4	92069-031	1	BULB 6V 25/25W
5	23008-009	1	SOCKET HEAD LAMP
6	23009-014	3	CLAMP,HEAD LAMP LENS
7	222E0508A	1	SCREW OVL CNTSNK 5X8
8	23023-007	2	GROMMET WIRING HARNES
9	92016-027	2	NUT 10MM
10	112B1020	2	BOLT-UPSET,10X20
11	411B1000	2	WASHER PLAIN 10MM
12	461F1000	2	WASHER SPRING 10MM
13	35028-005-10	1	BKT-TAIL LAMP,BLACK
	23025-035	1	LAMP ASSY-TAIL Includes items 14 - 19
14	23026-009	1	LENS-TAIL LAMP
15	23028-012	1	GASKET-TAIL LAMP LENS
16	92069-020	1	BULB 6V 10/3W
17	23027-025	1	SOCKET-TAIL LAMP
18	220E0410A	2	SCREW-PAN HEAD,4X10
19	461F0400	2	WASHER SPRING 4MM
20	112G0612	6	BOLT-UPSET,6X12
21	461F0600	6	WASHER SPRING 6MM
22	26001-057	1	WIRING HARNESS,MAIN
23	92072-018	3	BAND RUBBER
24	92072-030	4	BAND,SHORT
25	35027-006	1	BRACKET-LICENCE PLATE
26	220B0612	2	SCREW PAN HEAD 6X12
27	311B0600	2	NUT 6MM
28	410B0600	4	WASHER PLAIN 6MM
29	461F0600	2	WASHER SPRING 6MM
30	92072-032	1	BAND,LONG
31	56018-176	1	EMBLEM,LICNSE PLT BKT MT1C



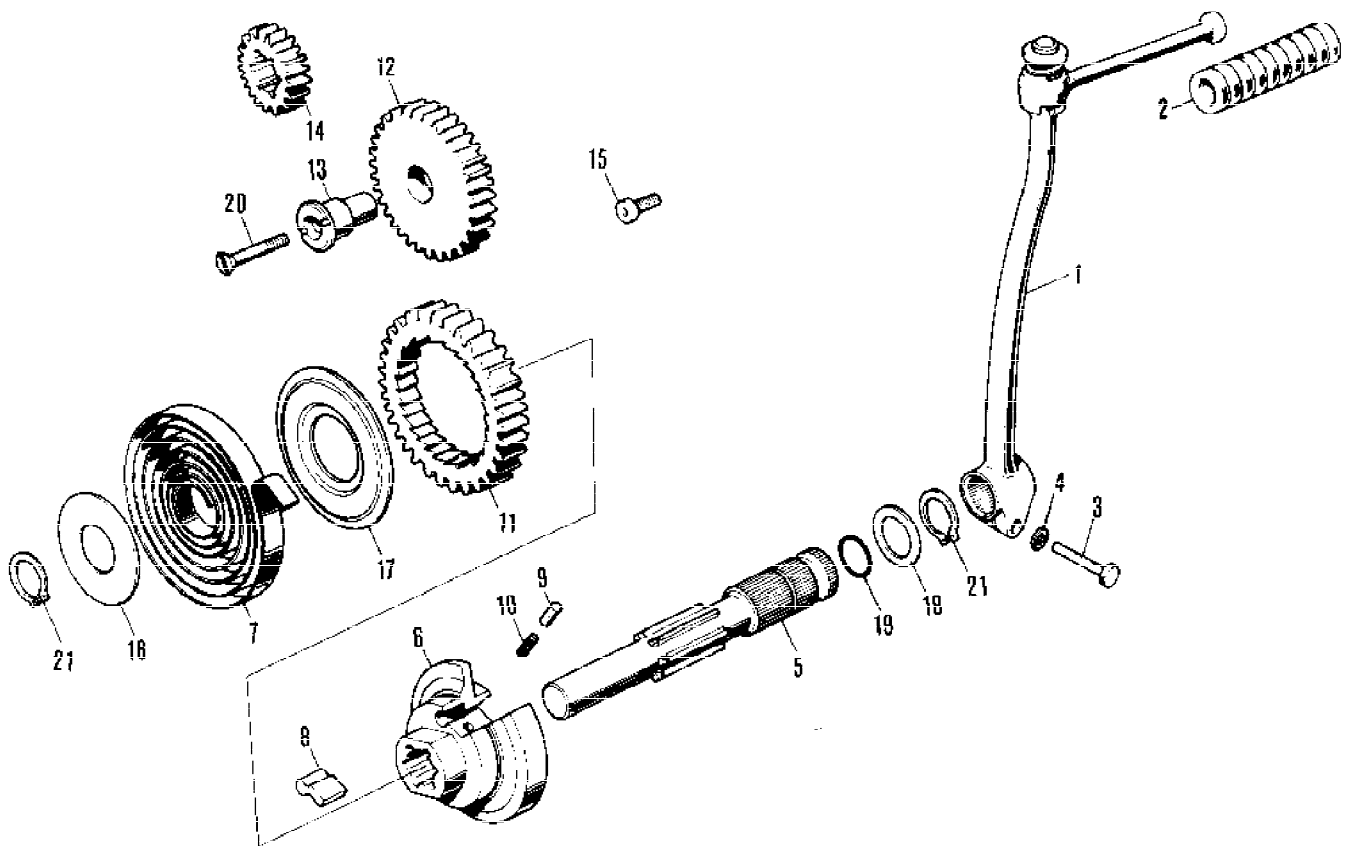
Ref #	Part Number	Qty	Description
1	23005-1006-21	1	BODY,HD LIGHT,FL BLCK
1	23005-1006-21	1	BODY,HD LIGHT,FL BLCK KV75-A7
	23004-023	1	LAMP UNIT-HEAD Includes items 2 - 7
2	23006-043	1	RIM,HEAD LAMP
3	23007-010	1	LENS UNIT-HEAD LAMP
4	92069-031	1	BULB 6V 25/25W
5	23008-009	1	SOCKET HEAD LAMP
6	23009-014	3	CLAMP,HEAD LAMP LENS
6	23009-014	3	CLAMP,HEAD LAMP LENS KV75-A7
7	222E0508A	1	SCREW OVL CNTSNK 5X8
7	23019-025	1	SCREW,PAN HEAD,5X14 KV75-A7
8	23023-007	2	GROMMET WIRING HARNES 1 REQ
8-1	23023-011	1	GROMMET KV75-A7
9	92016-027	2	NUT 10MM
10	112B1020	2	BOLT-UPSET,10X20
11	411B1000	2	WASHER PLAIN 10MM
12	461F1000	2	WASHER SPRING 10MM
13	35028-005-10	1	BKT-TAIL LAMP,BLACK
	23025-035	1	LAMP ASSY-TAIL Includes items 14 - 19
14	23026-009	1	LENS-TAIL LAMP
15	23028-012	1	GASKET-TAIL LAMP LENS
16	92069-020	1	BULB 6V 10/3W
17	23027-025	1	SOCKET-TAIL LAMP
18	220E0410A	2	SCREW-PAN HEAD,4X10
19	461F0400	2	WASHER SPRING 4MM
20	112G0612	6	BOLT-UPSET,6X12
21	410B0600	6	WASHER PLAIN 6MM 4 REQ
22	26001-057	1	WIRING HARNESS,MAIN
23	92072-018	3	BAND RUBBER
24	92072-030	4	BAND,SHORT
25	35027-006	1	BRACKET-LICENCE PLATE
26	220B0612	2	SCREW PAN HEAD 6X12
27	311B0600	2	NUT 6MM
27	311B0600	2	NUT 6MM KV75-A9
28	410B0600	4	WASHER PLAIN 6MM
29	461F0600	2	WASHER SPRING 6MM
30	56018-176	1	EMBLEM,LICNSE PLT BKT NOT REQD
31	463H1000	2	WASHER LOCK 10MM KV75-A7
38			UNKNOWN



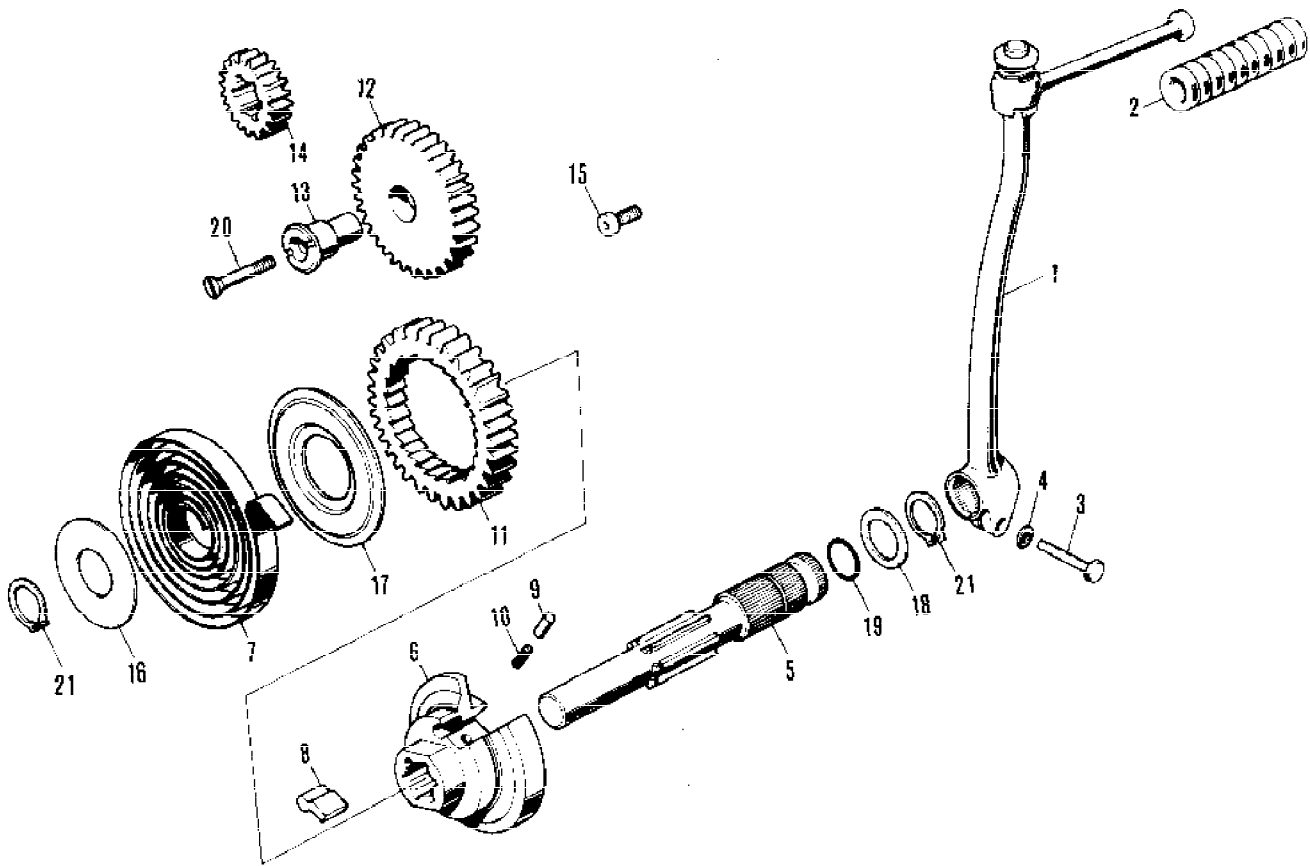
Ref #	Part Number	Qty	Description
1	21121-043	1	COIL-IGNITION
2	92101-001	1	SPRING-SPARK PLUG CAP
3	21130-009	1	CAP SPARK PLUG
4	221B0616	2	SCREW CNTSNK HD 6X16
5	311B0600	2	NUT 6MM
6	461F0600	2	WASHER SPRING 6MM
	21002-040	1	MAGNETO ASSY Includes items 7 - 22
7	21047-004	1	COIL LIGHTING
8	220B0425	4	SCREW PAN HEAD 4X25
9	461F0400	7	WASHER SPRING 4MM
10	21048-004	1	BASE MAGNETO
11	21013-001	1	CONDENSER
12	220B0410	1	SCREW PAN HEAD 4X10
13	21019-005	1	FELT OIL
14	21050-003	1	FLYWHEEL
15	21029-001	1	WIRING HARNESS MAG
16	21008-002	1	BREAKER ASSY CONTACT
17	220B0412	1	SCREW-PAN-CRROSS,4X12
18	410B0400	1	WASHER PLAIN 4MM
19	21049-003	1	COIL PRIMARY IGNITION
20	92071-007	1	GROMMET-WIRING HARN
21	21037-002	1	CLAMP WIRING HARNESS
22	220B0406	1	SCREW PAN HEAD 4X6
23	56019-033	1	57001-252 (Canada) OPT



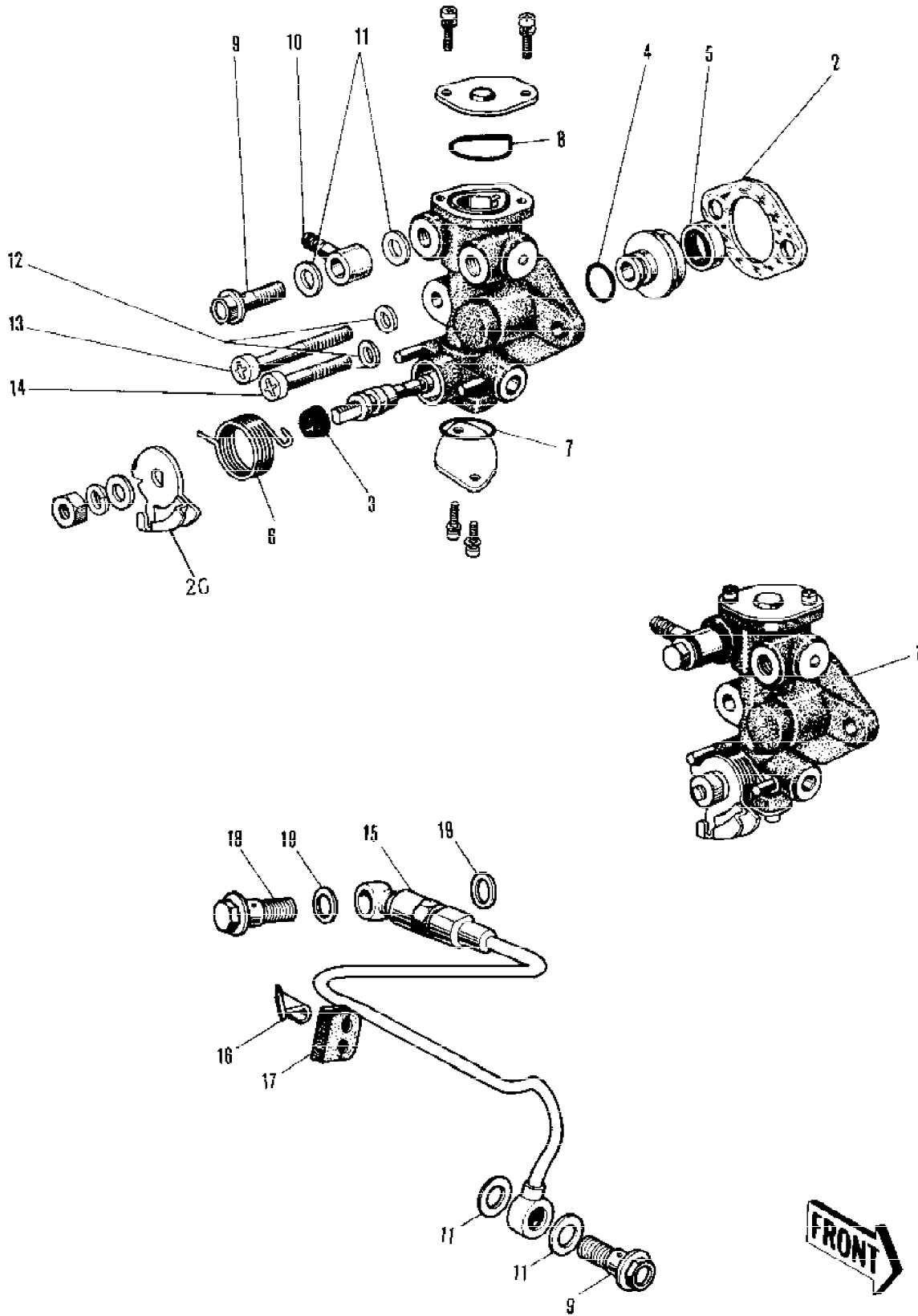
Ref #	Part Number	Qty	Description
1	21121-043	1	COIL-IGNITION
2	92101-001	1	SPRING-SPARK PLUG CAP
3	21130-009	1	CAP SPARK PLUG
4	221B0616	2	SCREW CNTSNK HD 6X16
5	311B0600	2	NUT 6MM
6	461F0600	2	WASHER SPRING 6MM
7	21003-031	1	STATOR ASSY.
8	21047-026	1	COIL,PRIMARY
8	21049-1002	1	COIL A,PRIMARY IGNITI
9	220B0425	4	SCREW PAN HEAD 4X25
10	461F0400	7	WASHER SPRING 4MM
11	21013-033	1	CONDENSER
11	21013-1001	1	CONDENSER
12	220B0410	1	SCREW PAN HEAD 4X10
13	21019-005	1	FELT OIL
14	21050-021	1	FLYWHEEL
15	21008-024	1	BREAKER,CONTACT
15	21008-1004	1	BREAKER ASSY,CONTACT
16	220B0410	1	SCREW PAN HEAD 4X10
17	410B0400	1	WASHER PLAIN 4MM
18	21047-027	1	COIL,LIGHTING
19	21037-005	1	CLAMP,LEAD WIRE
20	220B0406	1	SCREW PAN HEAD 4X6
21	56019-033	1	57001-252 (Canada)
22	21160-005	1	CAP,SPARK PLUG



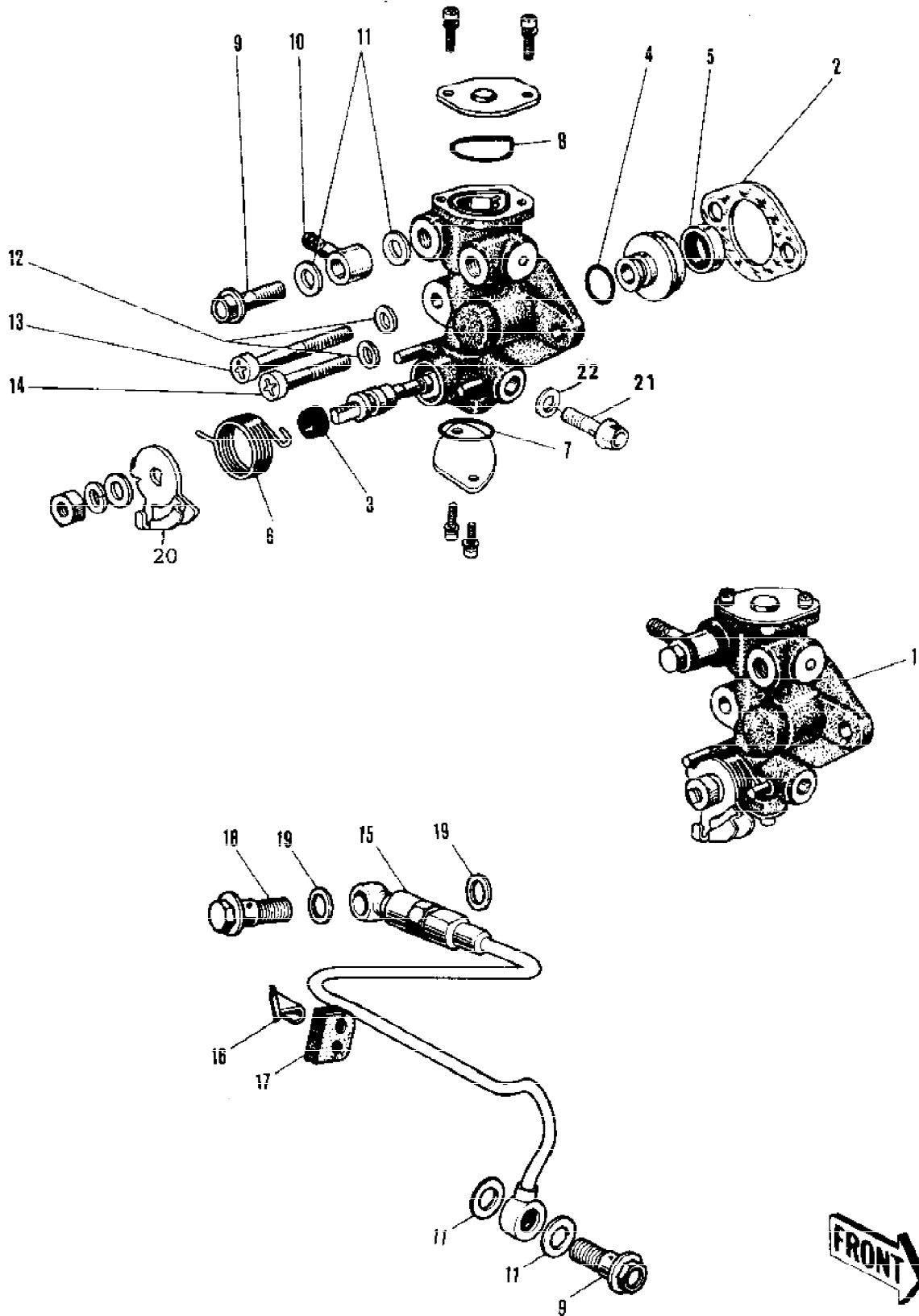
Ref #	Part Number	Qty	Description
1	13058-031	1	PEDAL-KICKSTARTER
2	13063-005	1	RUBBER-KICK PEDAL
3	112G0625	1	BOLT-UPSET
4	461F0600	1	WASHER SPRING 6MM
5	13066-018	1	SHAFT-KICKSTARTER
6	13067-001	1	DRUM KK
7	92082-001	1	KICKSTARTER SPRING
8	13069-001	1	PAWL
9	92042-001	1	PIN KICKSTARTER PAWL
10	92081-022	1	SPRING KICK PAWL
11	13068-003	1	GEAR-KICKSTARTER
12	13073-002	1	IDLE GEAR
13	13074-002	1	SHAFT-IDLE GEAR
14	13075-003	1	PINION-KICKSTARTER
15	13072-001	1	STOPPER-KICKSTARTER
16	13071-001	1	PLATE-KICK SPRG HLDER
17	13071-002	1	PLATE-KICK GEAR HLDER
18	92022-006	1	WASHER,16MM
19	92055-001	1	"O" RING,16MM
20	92010-002	1	SCREW,CNTSNK,5X30.5
21	480J1600	2	CIRCLIP 16MM



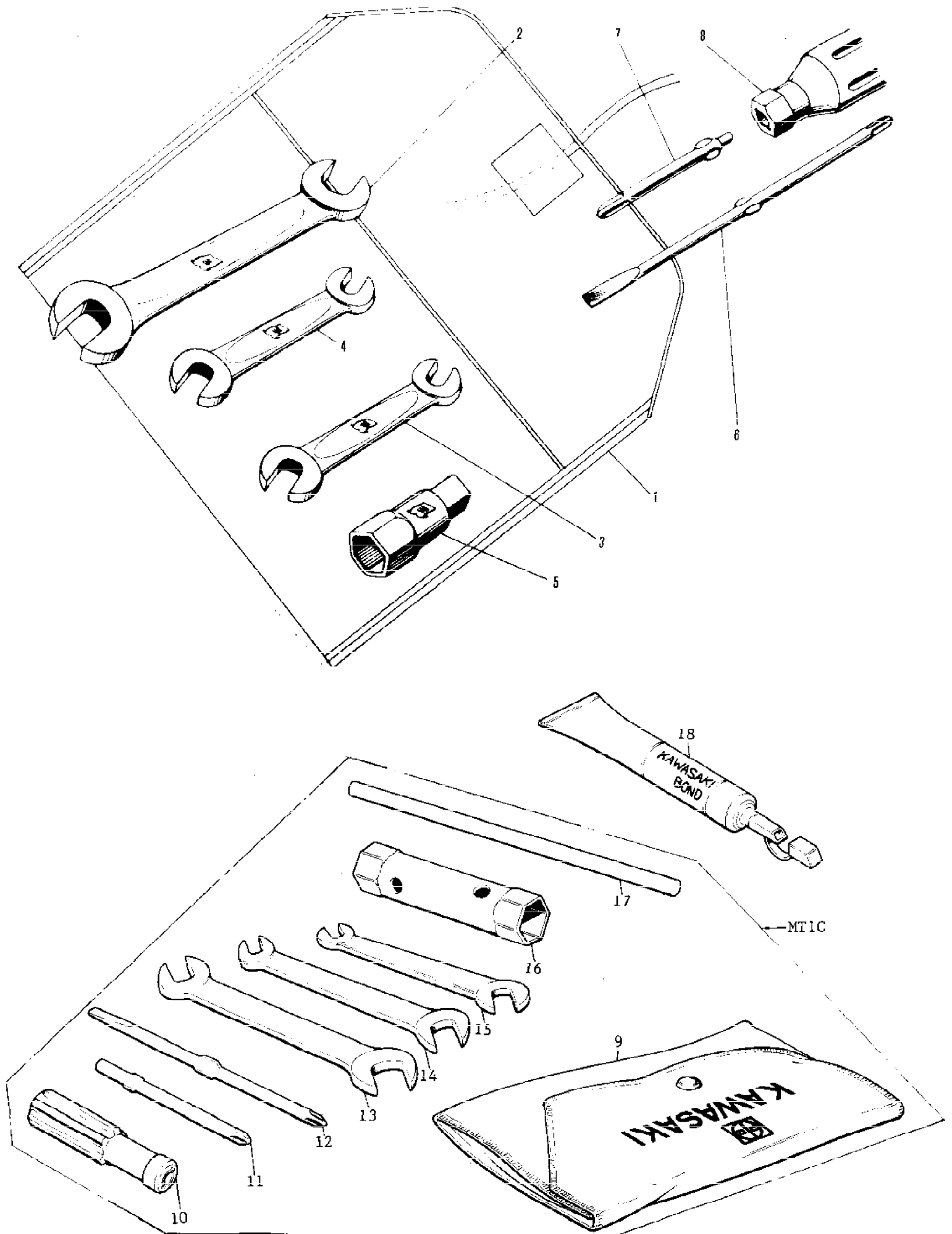
Ref #	Part Number	Qty	Description
1	13058-031	1	PEDAL-KICKSTARTER
2	13063-005	1	RUBBER-KICK PEDAL
3	112G0625	1	BOLT-UPSET
4	461F0600	1	WASHER SPRING 6MM
5	13066-018	1	SHAFT-KICKSTARTER
6	13067-001	1	DRUM KK
7	92082-001	1	KICKSTARTER SPRING
8	13069-001	1	PAWL
9	92042-001	1	PIN KICKSTARTER PAWL
10	92081-022	1	SPRING KICK PAWL
11	13068-003	1	GEAR-KICKSTARTER
12	13073-002	1	IDLE GEAR
13	13074-002	1	SHAFT-IDLE GEAR
14	13075-003	1	PINION-KICKSTARTER
15	13072-001	1	STOPPER-KICKSTARTER
16	13071-001	1	PLATE-KICK SPRG HLDER
17	13071-002	1	PLATE-KICK GEAR HLDER
18	92022-006	1	WASHER,16MM
19	92055-001	1	"O" RING,16MM
20	92010-002	1	SCREW,CNTSNK,5X30.5
21	480J1600	2	CIRCLIP 16MM



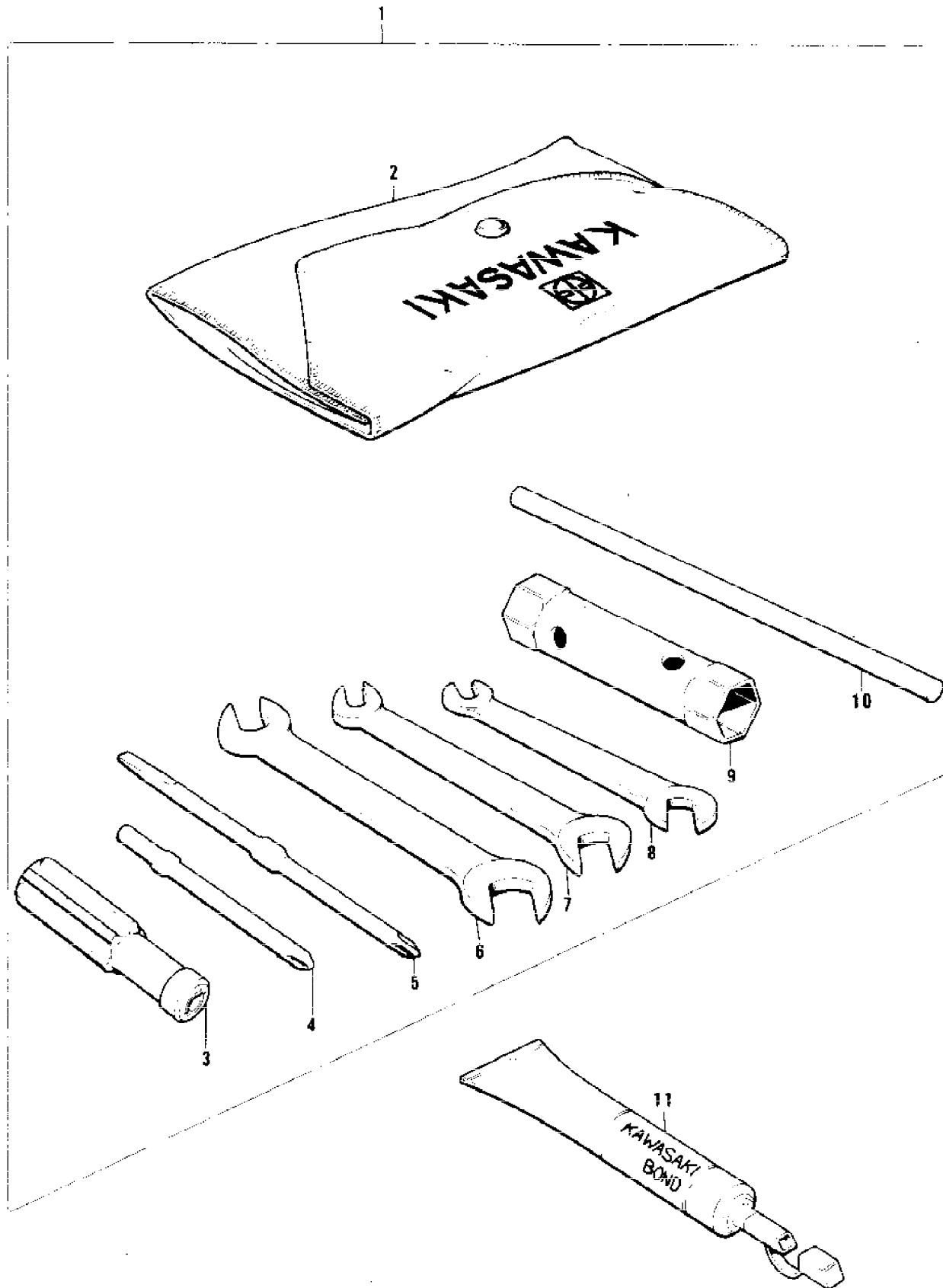
Ref #	Part Number	Qty	Description
1	16082-1004	1	OIL PUMP ASSY
1	16082-1004	1	OIL PUMP ASSY MT1C
2	11060-1160	1	GASKET,OIL PUMP
3	92049-1294	1	SEAL-OIL,CAMSHAFT,"X"
4	16090-002	1	"0" RING,OIL PUMP SHT
5	16091-001	1	OIL SEAL OIL PUMP SHT
6	16093-004	1	SPRING OIL PUMP LEVER
7	16090-003	1	"0" RING,LOWER CAP
8	16088-002	1	"0" RING,UPPER CAP
9	92060-013	2	BOLT-BANJO,6MM
10	92061-009	1	CONNECTOR BANJO
11	92022-077	4	WASHER OIL PUMP BANJO
12	92022-037	2	WASHER OIL PUMP
13	220B0528	1	SCREW PAN CROSS,5X28
14	220B0514	1	SCREW-PAN-CROS
15	16134-015	1	PIPE-OIL
16	16068-006	1	BRACKET-OIL PIPE
17	92071-049	1	GROMMET
18	92060-015	1	BOLT-BANJO
19	92065-023	2	GASKET CHECK VALVE
20	16096-009	1	LEVER-OIL PUMP CABLE



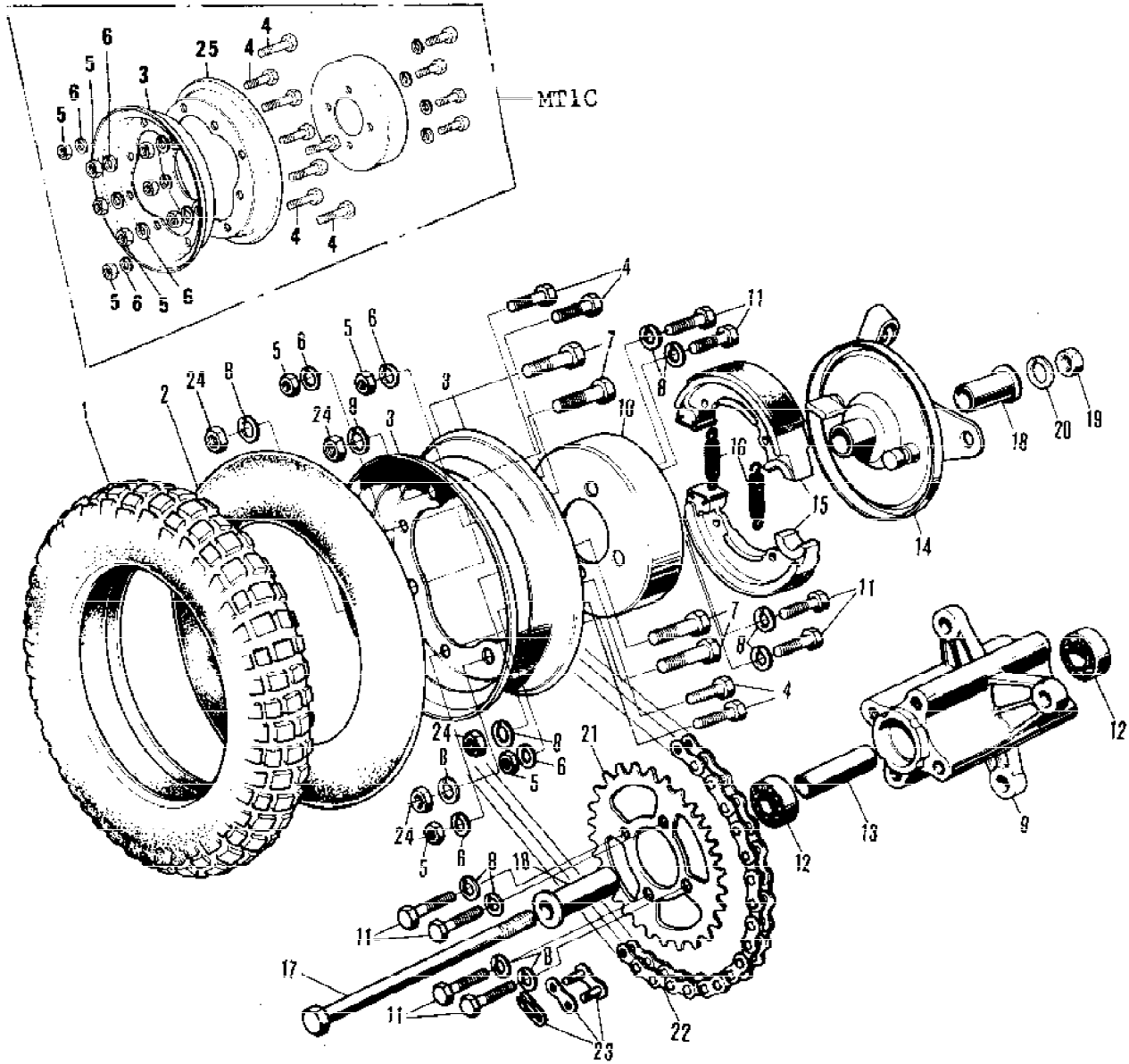
Ref #	Part Number	Qty	Description
1	16082-1004	1	OIL PUMP ASSY
1	16082-1004	1	OIL PUMP ASSY KV75-A6
1	16082-1004	1	OIL PUMP ASSY KV75-A7
2	11060-1160	1	GASKET,OIL PUMP
3	92049-1294	1	SEAL-OIL,CAMSHAFT,"X"
4	16090-002	1	"0" RING,OIL PUMP SHT
5	16091-001	1	OIL SEAL OIL PUMP SHT
6	16093-004	1	SPRING OIL PUMP LEVER
6	92081-1048	1	SPRING,OIL PUMP LEVER KV75-A7
7	16090-003	1	"0" RING,LOWER CAP
7	16090-004	1	"0" RING,LOWER CAP KV75-A6
8	16088-002	1	"0" RING,UPPER CAP
9	92060-013	2	BOLT-BANJO,6MM
9	92060-013	2	BOLT-BANJO,6MM KV75-A7
10	92061-009	1	CONNECTOR BANJO
11	92022-077	4	WASHER OIL PUMP BANJO
12	92022-037	2	WASHER OIL PUMP
13	220B0528	1	SCREW PAN CROSS,5X28
14	220B0514	1	SCREW-PAN-CROS
15	16134-015	1	PIPE-OIL
16	16068-006	1	BRACKET-OIL PIPE
17	92071-049	1	GROMMET
18	92060-015	1	BOLT-BANJO
19	92065-023	2	GASKET CHECK VALVE
20	16096-009	1	LEVER-OIL PUMP CABLE
21	92009-1010	1	BOLT,AIR VENT KV75-A6
22	92022-1006	1	WASHER KV75-A6



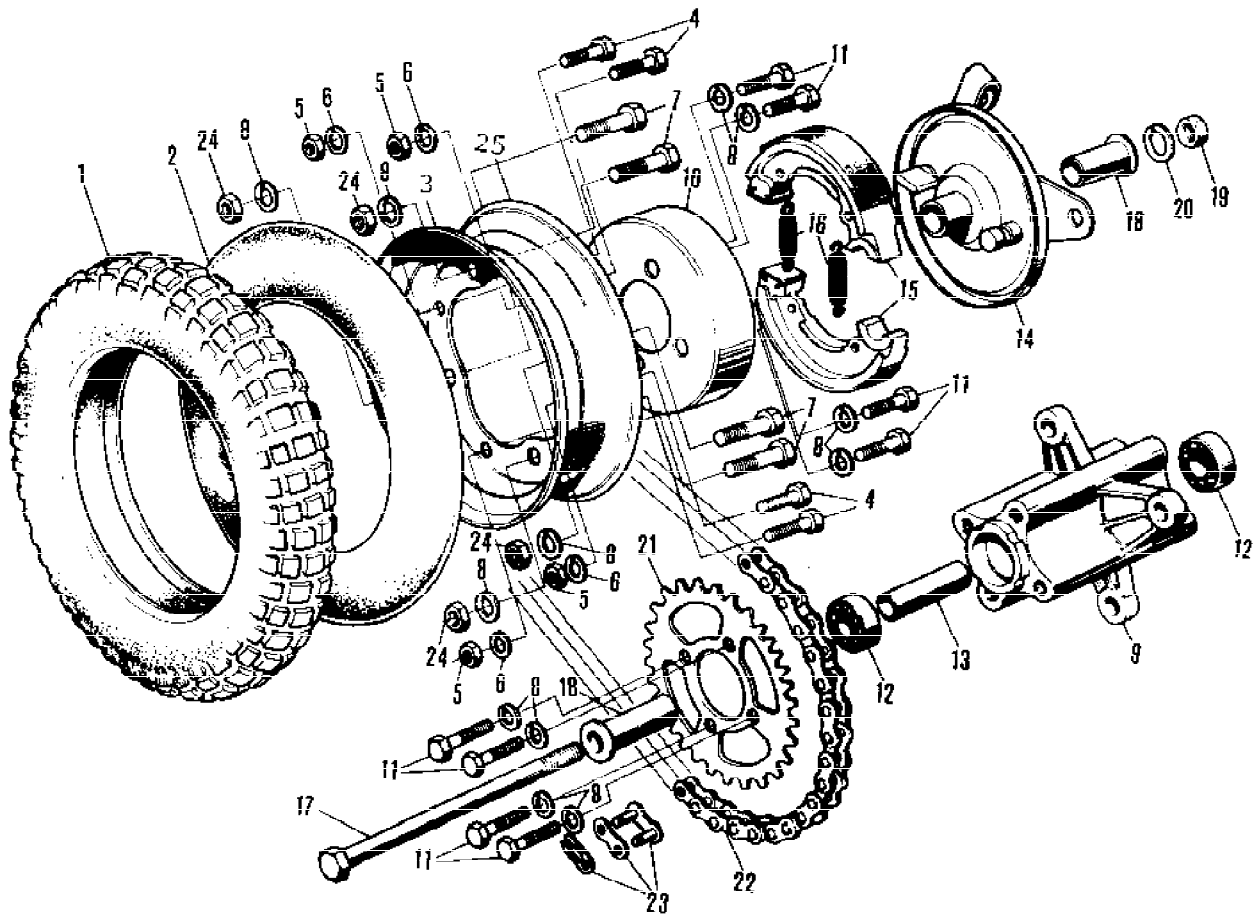
Ref #	Part Number	Qty	Description
	56007-019	1	*** N.L.A.*** (Canada) Includes items 1 - 8; MT1/A/B
1	56008-008	1	BAG,TOOL
2	960B1719	1	*** N.L.A.*** (Canada)
3	960B1014	1	*** N.L.A.*** (Canada)
4	960B1013	1	UNAVAILABLE IN PRICE BOOK
5	92110-003	1	92110-012 (Canada)
6	92107-1052	1	TOOL-DRIVER
7	92107-005	1	SCREW DRIVER #3 PHLIP
8	92106-002	1	92106-1001 (Canada)
	56007-035	1	*** N.L.A.*** (Canada) Includes items 9 - 17; MT1C
9	56008-008	1	BAG,TOOL
10	92106-002	1	92106-1001 (Canada)
11	92107-005	1	SCREW DRIVER #3 PHLIP
12	92107-1052	1	TOOL-DRIVER
13	92110-1153	1	TOOL-WRENCH,OPEN END,
14	92126-002	1	WRENCH,OPEN END,12X13
15	92126-001	1	WRENCH,OPEN,8X10
16	92110-012	1	WRENCH,BOX,17X21
17	92111-005	1	BAR,SPARK PLUG WRENCH
18	92104-002	10	LIQUID GASKET TUBE



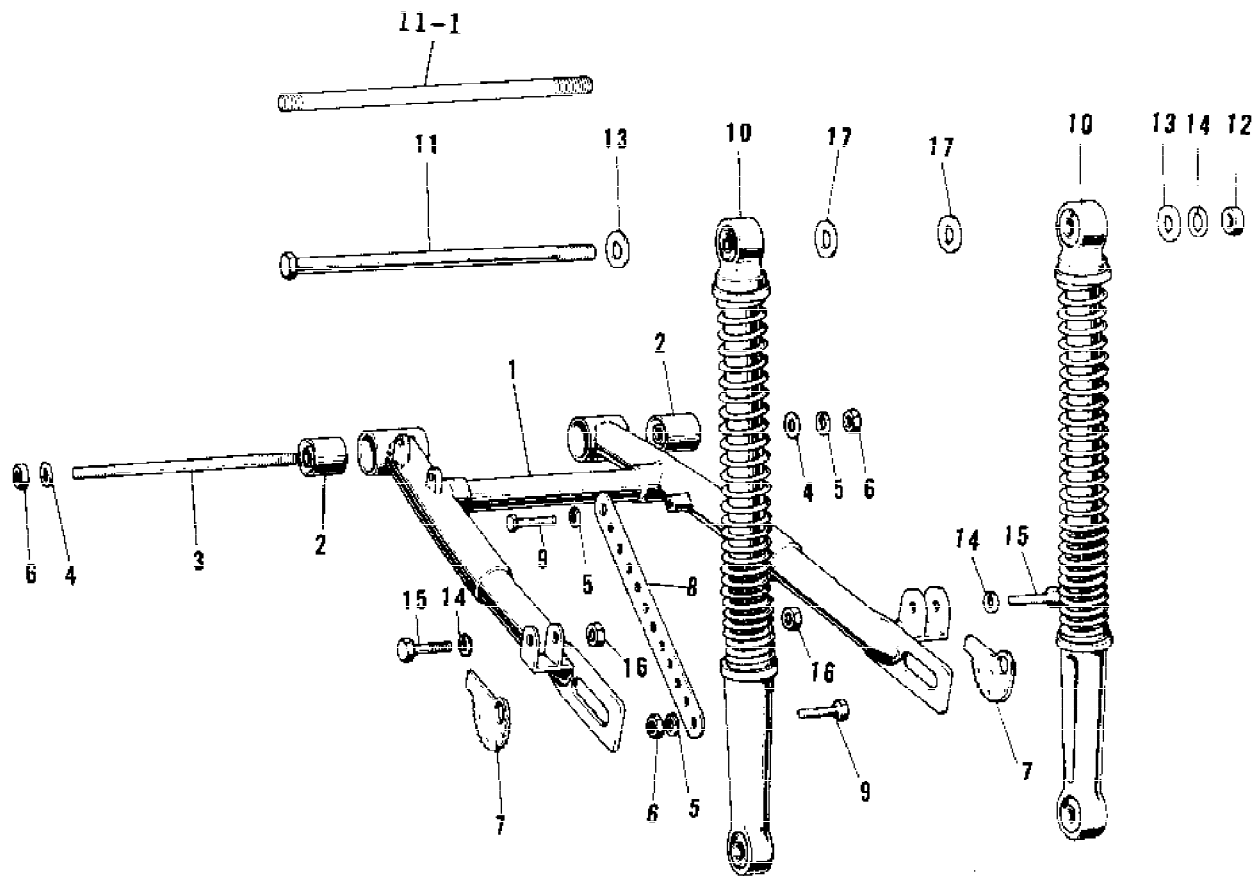
Ref #	Part Number	Qty	Description
1	56007-035	1	*** N.L.A.*** (Canada)
1	56007-1003	1	*** N.L.A.*** (Canada) KV75-A7
2	56008-008	1	BAG,TOOL
2	56008-1007	1	BAG,TOOL KV75-A7
3	92106-002	1	92106-1001 (Canada)
4	92107-005	1	SCREW DRIVER #3 PHLIP
5	92107-1052	1	TOOL-DRIVER
6	92110-1153	1	TOOL-WRENCH,OPEN END,
7	92126-002	1	WRENCH,OPEN END,12X13
8	92126-001	1	WRENCH,OPEN,8X10
9	92110-012	1	WRENCH,BOX,17X21
10	92111-005	1	BAR,SPARK PLUG WRENCH N.R. KV75-A7
11	92104-002	10	LIQUID GASKET TUBE



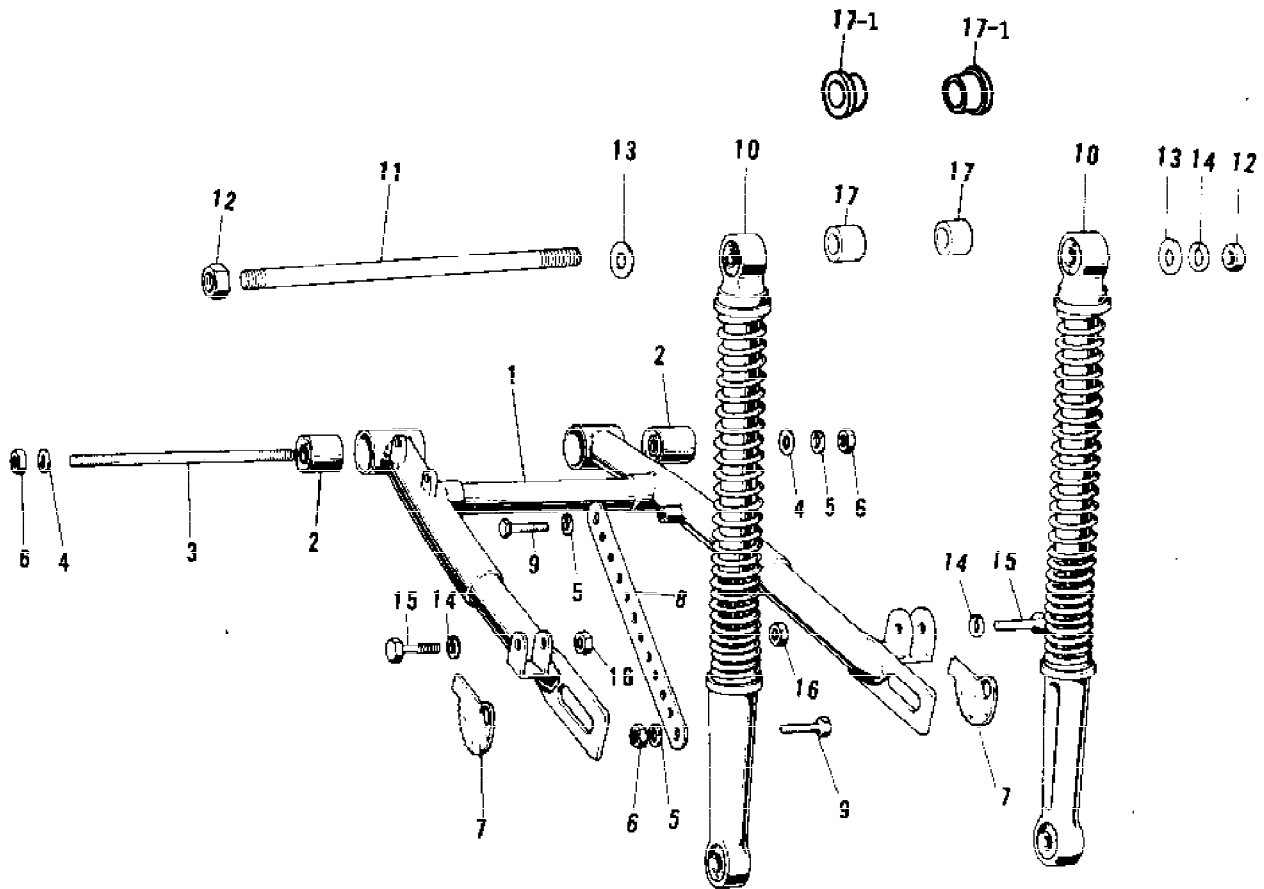
Ref #	Part Number	Qty	Description
1	41021-015	1	UNAVAILABLE IN PRICE BOOK
2	41022-037	1	TUBE 350-8
3	41025-047	2	RIM 2.50-8
3	41025-081	1	RIM,2.50-8 MT1C WITH VALVE HOLE
4	114G0812	4	BOLT SMALL
4	113G1016	4	BOLT,HEX HEAD,10X16 MT1C
5	311B0800	4	NUT,8MM
5	314B1000	4	NUT,10MM MT1C
6	461F0800	4	WASHER SPRING 8MM
6	461F1000	4	WASHER SPRING 10MM MT1C
7	113G1025	4	BOLT,HEX HEAD,10X25
8	461F1000	12	WASHER SPRING 10MM
	42005-025	1	DRUM ASSY-REAR BRAKE Includes items 8 - 13
10	41054-003	1	DRUM-BRAKE
11	92001-017	8	BOLT-HEX HEAD,10X28
12	601B6201Z	2	BEARING-BALL #6201Z
13	42010-020	1	SPACER-BEARING
	42006-056	1	PANEL-ASY,RR BRK Includes items 14 - 16
	42006-056	1	PANEL-ASY,RR BRK Includes items 14 - 16; MT1C
	41048-1010	1	SHOE,BRAKE Includes items 15 and 16
16	41049-009	2	SPRING-BRAKE SHOE
17	42031-028	1	AXLE-REAR
18	42032-029	2	COLLAR-REAR AXLE
19	314B1200	1	NUT-HEX-FINE
20	461F1200	1	WASHER SPRING 12MM
21	42041-086	1	REAR SPROCKET 33T 33 TEETH
22	92057-1006	1	DR CHAIN 420X88
23	92058-003	1	CHAIN JOINT 420
24	314B1000	4	NUT,10MM
25	41025-082	1	RIM,2.50-8 MT1C



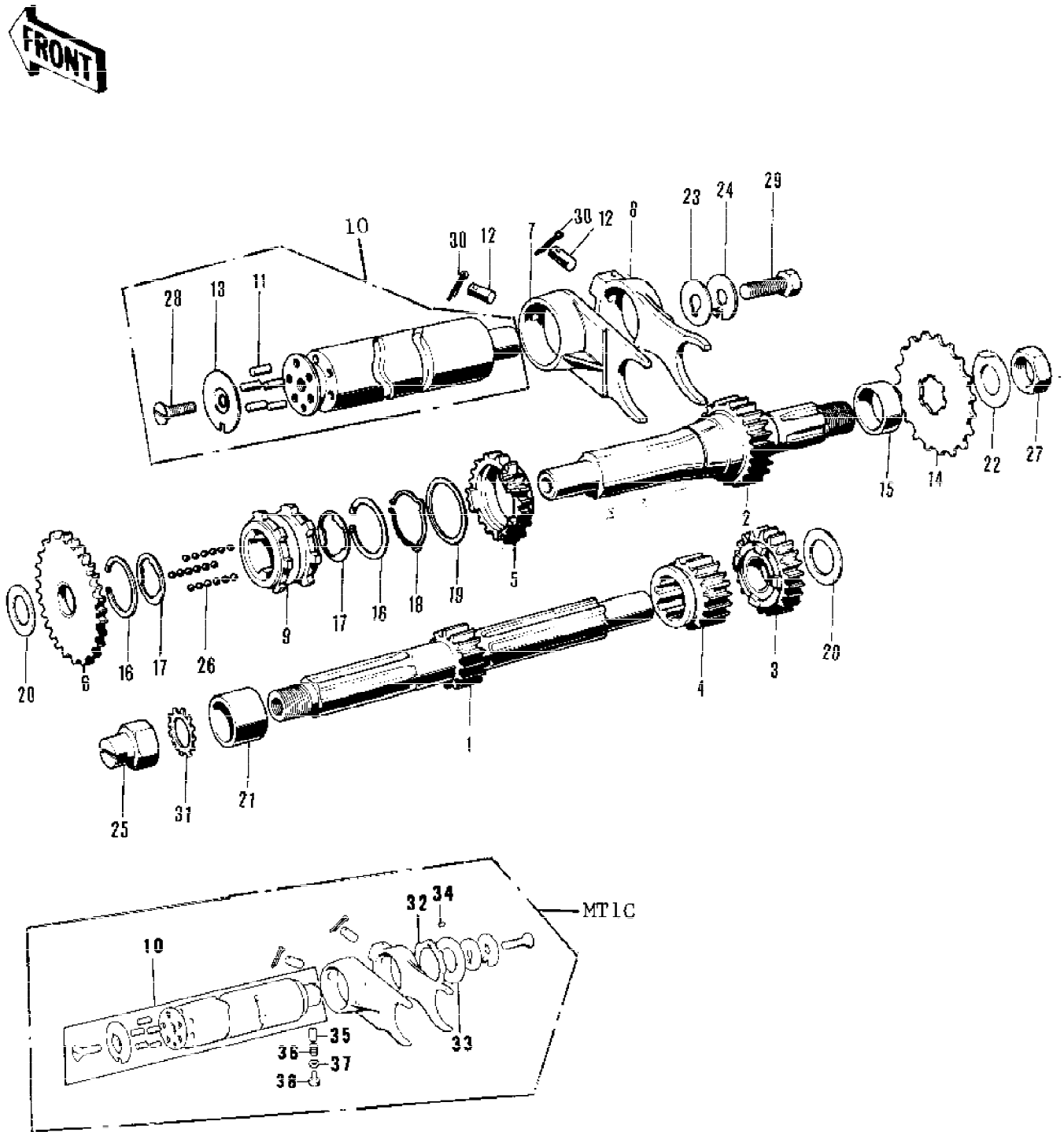
Ref #	Part Number	Qty	Description
1	41021-052	1	UNAVAILABLE IN PRICE BOOK
2	41022-037	1	TUBE 350-8
3	41025-081	1	RIM,2.50-8 WITH VALVE HOLE
4	113G1016	4	BOLT,HEX HEAD,10X16
5	314B1000	4	NUT,10MM
6	461F1000	4	WASHER SPRING 10MM
7	113G1025	4	BOLT,HEX HEAD,10X25
8	461F1000	12	WASHER SPRING 10MM
	42005-025	1	DRUM ASSY-REAR BRAKE Includes items 8 - 13
10	41054-003	1	DRUM-BRAKE
11	92001-017	8	BOLT-HEX HEAD,10X28
12	601B6201Z	2	BEARING-BALL #6201Z
13	42010-020	1	SPACER-BEARING
14	42006-056	1	PANEL-ASY,RR BRK Includes items 14 - 16
	41035-1010	1	PANEL-ASY,RR BRK Includes items 14 - 16
15	41048-1010	1	SHOE,BRAKE Includes items 15 and 16
	41048-1010	2	SHOE,BRAKE Includes items 15 and 16
16	41049-009	2	SPRING-BRAKE SHOE
17	42031-028	1	AXLE-REAR
18	42032-029	2	COLLAR-REAR AXLE
19	314B1200	1	NUT-HEX-FINE
20	461F1200	1	WASHER SPRING 12MM
21	42041-086	1	REAR SPROCKET 33T 33 TEETH
22	92057-1006	1	DR CHAIN 420X88
22	92057-1006	1	DR CHAIN 420X88 KV75-A7
23	92058-003	1	CHAIN JOINT 420
24	314B1000	4	NUT,10MM
25	41025-082	1	RIM,2.50-8



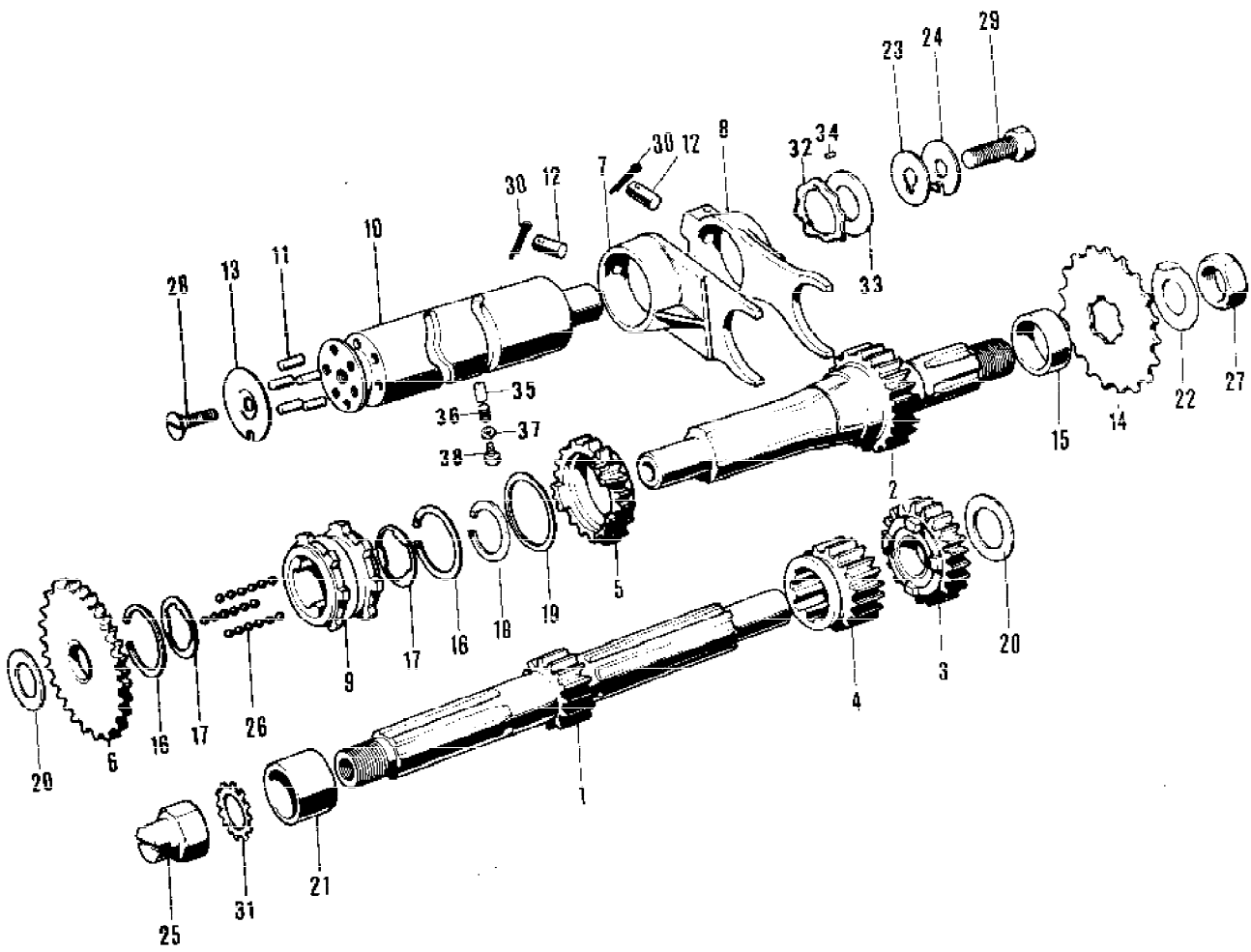
Ref #	Part Number	Qty	Description
1	33001-037	1	ARM-SWING
2	92092-006	2	BUSH SWING ARM SHAFT
3	33032-008	1	SHAFT SWING ARM PIVOT
4	410B1000	2	WASHER PLAIN 10MM
5	461F1000	3	WASHER SPRING 10MM
6	314B1000	3	NUT,10MM
7	33040-042	2	ADJUSTER-CHAIN
8	43007-025	1	TORQUE LINK-REAR BRK
9	113G1018	2	BOLT,HEX HEAD,10X18
10	45014-065	2	SHOCK ABSBR RR MT1
10	45014-065	2	SHOCK ABSBR RR MT1A/B/C
11	113B12254A	1	BOLT HEX HEAD 12X254
11-1	92006-006	1	STUD,12MM MT1C
12	314B1200	1	NUT-HEX-FINE
13	411B1200	2	WASHER PLAIN 12MM
14	461F1200	3	WASHER SPRING 12MM
15	113B1236A	2	BOLT-HEX HEAD,12X36
16	315B1200	2	NUT-HEX-FINE,12MM
17	92022-185	2	UNAVAILABLE IN PRICE BOOK



Ref #	Part Number	Qty	Description
1	33001-037	1	ARM-SWING
2	92092-006	2	BUSH SWING ARM SHAFT
3	33032-008	1	SHAFT SWING ARM PIVOT
4	410B1000	2	WASHER PLAIN 10MM
5	461F1000	3	WASHER SPRING 10MM
6	314B1000	3	NUT,10MM
7	33040-042	2	ADJUSTER-CHAIN
8	43007-025	1	TORQUE LINK-REAR BRK
9	113G1018	2	BOLT,HEX HEAD,10X18
10	45014-065	2	SHOCK ABSBR RR
10	45014-1014	2	SHOCK ABSBR RR KV75-A7
11	92006-006	1	STUD,12MM
12	314B1200	2	NUT-HEX-FINE
12	314B1200	2	NUT-HEX-FINE KV75-A9
13	411B1200	2	WASHER PLAIN 12MM
14	461F1200	3	WASHER SPRING 12MM
15	113B1236A	2	BOLT-HEX HEAD,12X36
16	315B1200	2	NUT-HEX-FINE,12MM
17	92027-257	2	COLLAR
17-1	92027-1050	2	COLLAR,REAR SHOCK KV75-A7



Ref #	Part Number	Qty	Description
1	13127-030	1	SHAFT-DRIVE 11 TEETH
2	13128-029	1	SHAFT-OUTPUT 22 TEETH
3	13136-034	1	TOP GEAR-DRIVE 21 TEETH
4	13130-003	1	2ND GEAR-DRIVE 17 TEETH
5	13131-032	1	2ND GEAR-OUTPUT 26 TEETH
6	13129-035	1	LOW GEAR-OUTPUT 32 TEETH
7	13140-033	1	FORK-SELECTOR,LOW&2ND
8	13140-034	1	FORK-SELECTOR, TOP
9	13139-004	1	SHIFTER
10	13239-001	1	DRUM ASSY-GEAR CHANGE
10	13239-1014	1	DRUM ASSY,GEAR CHANGE MT1C
11	92043-004	5	PIN GEAR CHANGE DRUM
12	92043-005	2	PIN SELECT FORK GUIDE
13	13142-002	1	PLATE CHANGE DRUM PIN
14	13144-002	1	ENGINE SPROCKET 13 TEETH
15	92027-001	1	COLLAR OIL SEAL
16	92033-003	2	CIRCLIP,26MM
17	92033-004	2	CIRCLIP
18	92033-025	1	CIRCLIP,25MM
19	92022-106	1	WASHER 22MM
20	92022-174	2	WASHER-PLAIN
21	92027-002	1	COLLAR-CLUTCH PINION
22	92022-002	1	WASHER-LOCK,12MM
23	92022-175	1	WASHER-PLAIN
24	92024-028	1	WASHER-LOCK
25	92015-046	1	NUT-OIL PUMP
26	600A0500	30	BALL STEEL 5/32'
27	314B1200	1	NUT-HEX-FINE
28	212B0616	1	SCREW CNTSNK HD 6X16
29	113B0818	1	BOLT-HEX HEAD,8X18
30	550D3020	2	PIN COTTER 3.0X20
31	464H1200	1	WASHER LOCK 12MM
32	13145-004	1	DISC, GEAR DRUM CHANGE OPERATING MT1C
33	92026-106	1	WASHER,THRUST MT1C
34	610A0406	1	PIN-DOWEL,4X6 MT1C
35	92043-076	1	PIN-NEUTRAL POSITION MT1C
36	92081-112	1	SPRING MT1C
37	92065-090	1	GASKET MT1C
38	92001-131	1	BOLT,10MM MT1C



Ref #	Part Number	Qty	Description
1	13127-030	1	SHAFT-DRIVE 11 TEETH
2	13128-029	1	SHAFT-OUTPUT 22 TEETH
3	13136-034	1	TOP GEAR-DRIVE 21 TEETH
4	13130-003	1	2ND GEAR-DRIVE 17 TEETH
5	13131-032	1	2ND GEAR-OUTPUT 26 TEETH
6	13129-035	1	LOW GEAR-OUTPUT 32 TEETH
7	13140-033	1	FORK-SELECTOR,LOW&2ND
8	13140-034	1	FORK-SELECTOR, TOP
9	13139-004	1	SHIFTER
10	13239-1014	1	DRUM ASSY, GEAR CHANGE
10	13239-1014	1	DRUM ASSY, GEAR CHANGE KV75-A7, A8
10	13239-1014	1	DRUM ASSY, GEAR CHANGE KV75-A9
11	92043-004	5	PIN GEAR CHANGE DRUM
11	92043-011	5	PIN GEAR CHANGE DRUM KV75-A8
12	92043-005	2	PIN SELECT FORK GUIDE
13	13142-002	1	PLATE CHANGE DRUM PIN
14	13144-002	1	ENGINE SPROCKET 13 TEETH
15	92027-001	1	COLLAR OIL SEAL
16	92033-003	2	CIRCLIP, 26MM
17	92033-004	2	CIRCLIP
18	92033-025	1	CIRCLIP, 25MM
19	92022-106	1	WASHER 22MM
20	92022-174	2	WASHER-PLAIN
21	92027-002	1	COLLAR-CLUTCH PINION
22	92022-002	1	WASHER-LOCK, 12MM
23	92022-175	1	WASHER-PLAIN
24	92024-028	1	WASHER-LOCK
25	92015-046	1	NUT-OIL PUMP
26	600A0500	30	BALL STEEL 5/32'
27	314B1200	1	NUT-HEX-FINE
27	314B1200	1	NUT-HEX-FINE KV75-A9
28	212B0616	1	SCREW CNTSNK HD 6X16
28	221B0616	1	SCREW CNTSNK HD 6X16 KV75-A8
29	113B0818	1	BOLT-HEX HEAD, 8X18
29	115G0818	1	BOLT-SMALL-UPSET, 8X18 KV75-A7
30	550D3020	2	PIN COTTER 3.0X20
31	464H1200	1	WASHER LOCK 12MM
32	13145-004	1	DISC.CHNG DRUM OPRTN
32	13145-007	1	DISC, CHANGE DRUM KV75-A7
33	92026-106	1	WASHER, THRUST
34	610A0406	1	PIN-DOWEL, 4X6
35	92043-076	1	PIN-NEUTRAL POSITION
36	92081-112	1	SPRING
37	92065-090	1	GASKET
38	92001-131	1	BOLT, 10MM